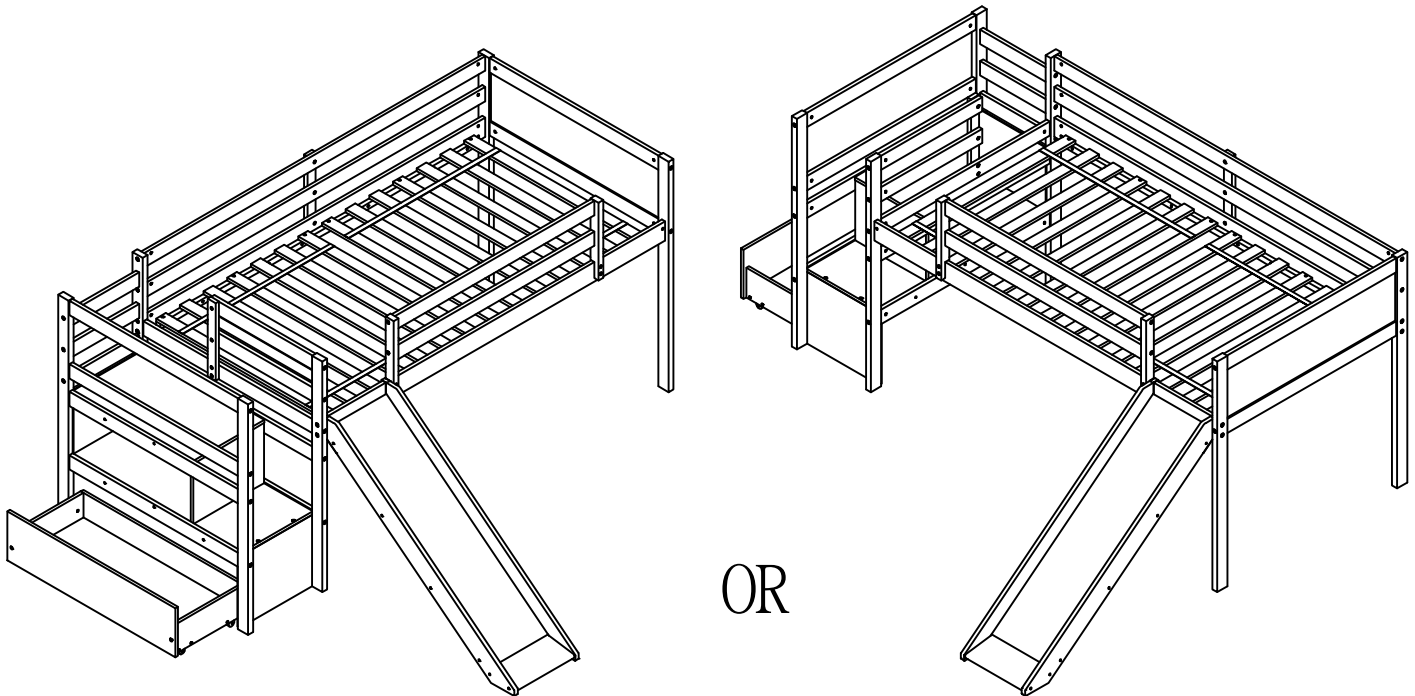


# ASSEMBLY INSTRUCTIONS

## TWIN LOFT BED



**YX5506**  
**(W697S00006 - W697S00005)**



# SAFETY WARNING



1. This bed is designed for use only mattress (es) meeting the following specifications on the loft bed:

Up bed (Loft bed and tribed included)

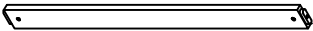
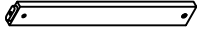
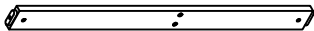
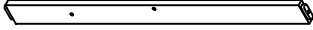
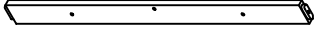
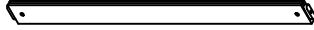

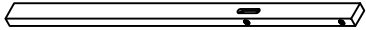
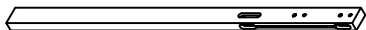
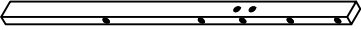
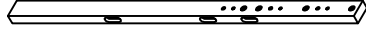
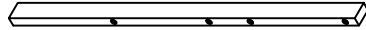
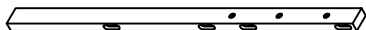
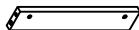
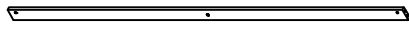

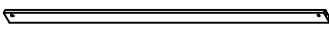
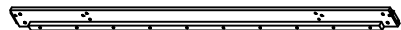
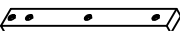
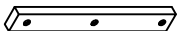


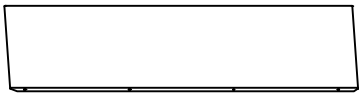
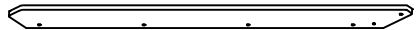

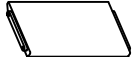
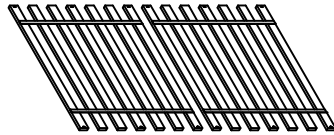
Bed type	Length	With	Thickness
Twin Standard	74"-75"	38 1/2"	6" max

2. Replacement parts, including additional guardrails, maybe obtained from any of our (YX INC.) dealers
3. Follow the information on the warnings appearing on the loft bed end structure and on the carton. Do not remove warning label from bed.
4. Always use the recommended size mattresses or mattress supports, or both, to help prevent the likelihood of entrapment or falls.
5. Surface of mattress must be at least 5" (127mm) below the upper edge of guardrails.
6. Do not allow children under 6 years of age to use the loft bed.
7. Periodically check and ensure that the guardrail, ladder, and other components are in their proper position, free from damage, and that all connectors are tight.
8. Do not allow horseplay on or under the bed and prohibit jumping on the bed.
9. Always use the ladder for entering and leaving the loft bed.
10. Do not use substitute part. Contact the manufacture or dealer for replacement part.
11. Use of a night light may provide added safety precaution for a child using the loft bed.
12. Always use guardrails on both long sides of the loft bed. If the loft bed will be placed next to the wall, the guardrail that runs the full length of the bed should be placed against the wall to prevent entrapment between the bed and wall.
13. The use of water or sleep flotation mattresses is prohibited.
14. **STRANGULATION HAZARD** - Never attach or hang items to any part of the bunk bed that are not designed for use with the bed; for example, but not limited to, hook, belts and jump ropes.
15. Keep these instruction for future reference.



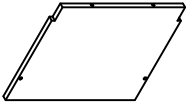
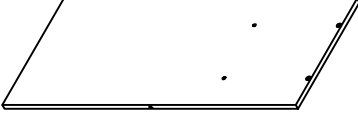
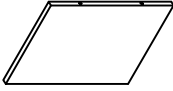


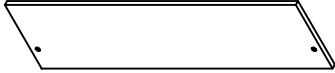
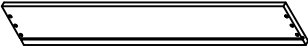
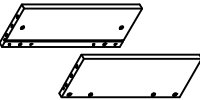

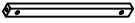
# Part List

YX5506(2-1)

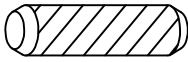
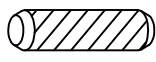
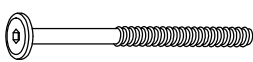
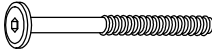
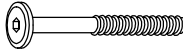





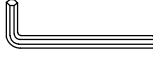
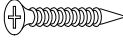
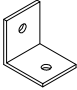
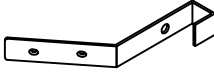
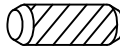
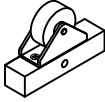

<p><b>A</b></p>  <p>Horizontal bar (FB) - 2pcs</p>	<p><b>A1</b></p>  <p>Upper horizontal FB - 2pcs</p>	<p><b>A2</b></p>  <p>Horizontal (FB) - 1pc</p>
<p><b>A3</b></p>  <p>Horizontal Middle (FB) - 2pcs</p>	<p><b>A4</b></p>  <p>Horizontal bar (FB) - 2pcs</p>	<p><b>A5</b></p>  <p>Horizontal (HB) - 2pcs</p>
<p><b>B</b></p>  <p>Side panel (HB) - 1pc</p>	<p><b>C</b></p>  <p>Leg HB (Right front) - 1pc</p>	<p><b>C1</b></p>  <p>Leg HB (Right back) - 1pc</p>
<p><b>C2</b></p>  <p>Leg FB (Left front) - 1pc</p>	<p><b>C3</b></p>  <p>Leg FB (Left back) - 1pc</p>	<p><b>C4</b></p>  <p>Leg FB (Front) - 1pc</p>
<p><b>C5</b></p>  <p>Leg FB (back) - 1pc</p>	<p><b>D</b></p>  <p>Back guard - 3pcs</p>	<p><b>E</b></p>  <p>Long guard rail(Back)- 2pcs</p>
<p><b>F</b></p>  <p>Side rail (Back) - 1pc</p>	<p><b>E1</b></p>  <p>Short guard rail(Back)- 2pcs</p>	<p><b>F1</b></p>  <p>Side rail (Front) - 1pc</p>
<p><b>G</b></p>  <p>Support guard rail - 1pc</p>	<p><b>G1</b></p>  <p>Vertical guard rail - 1pc</p>	<p><b>H</b></p>  <p>Left support guard rail - 1pc</p>
<p><b>J</b></p>  <p>Right support guard rail - 1pc</p>	<p><b>K</b></p>  <p>Slide panel -1pc</p>	<p><b>L</b></p>  <p>Left side slide -1pc</p>
<p><b>M</b></p>  <p>Right side slide -1pc</p>	<p><b>N</b></p>  <p>Slide base support -1pc</p>	<p><b>O</b></p>  <p>Slats - 14pcs</p>

# Part List

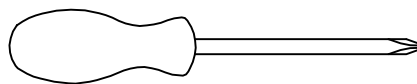
YX5506(2-2)

<p><b>P</b></p>  <p>Footboard Panel Front Bar -1pc</p>	<p><b>Q</b></p>  <p>Footboard Panel Bar -1pc</p>	<p><b>R</b></p>  <p>Footboard panel front between - 1pc</p>
<p><b>S</b></p>  <p>Footboard Panel Above -1pc</p>	<p><b>T</b></p>  <p>Back panel - 1pc</p>	<p><b>U</b></p>  <p>Drawer front - 1pc</p>
<p><b>V</b></p>  <p>Drawer back - 1pc</p>	<p><b>X</b></p>  <p>Drawer (Left / Right) - 2pcs</p>	<p><b>Y</b></p>  <p>Drawer bottom - 1pc</p>
<p><b>Z</b></p>  <p>Horizontal support - 3pcs</p>		

# Hardware List




<b>1</b>	 Ø10*40mm Wood dowel (14pcs)	<b>2</b>	 Ø8*30mm Wood dowel (8pcs)	<b>3</b>	 (Ø15)1/4"*100mm Hex-Head bolts (20pcs)
<b>4</b>	 (Ø15)1/4"*80mm Hex-Head bolts (22pcs)	<b>5</b>	 (Ø12)1/4"*60mm Hex-Head bolts (20pcs)	<b>6</b>	 (Ø12)1/4"*30mm Hex-Head bolts (7pcs)
<b>7</b>	 1/4"*15 (9.5mm) Horizontal-Hole bolts(62pcs)	<b>8</b>	 Ø3.5*15mm Wood screws (10pcs)	<b>9</b>	 (Ø12)1/4"*35mm Hex-Head bolts (6pcs)
<b>10</b>	 (Ø12)1/4"*50mm Hex-Head bolts (12pcs)	<b>11</b>	 (1/4")4.5*58mm Allen key (1pc)	<b>12</b>	 Ø4*30mm Wood screws (24pcs)
<b>13</b>	 24*28*28*2mm Metal bracket (3pcs)	<b>14</b>	 142*18*2mm Hooks (2pcs)	<b>15</b>	 Ø10*20mm Wood dowel (4pcs)
<b>16</b>	 100*54*20mm Wheels (4pcs)	<b>17</b>	 (Ø12)1/4"*40mm Hex-Head bolts (2pcs)		

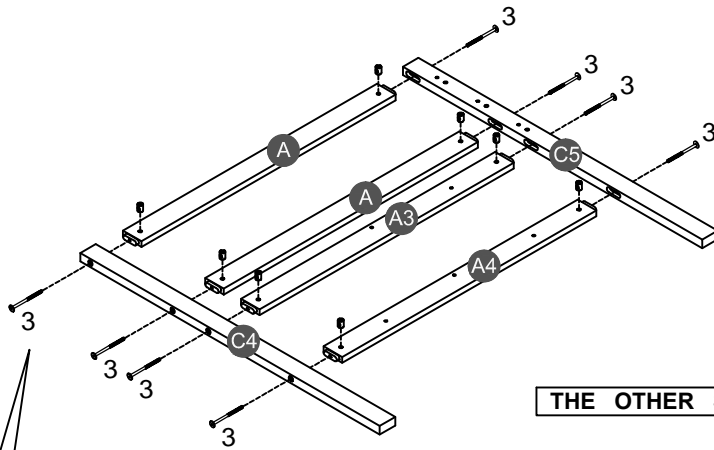
## ASSEMBLY TOOLS REQUIRED ( NOT INCLUDED )



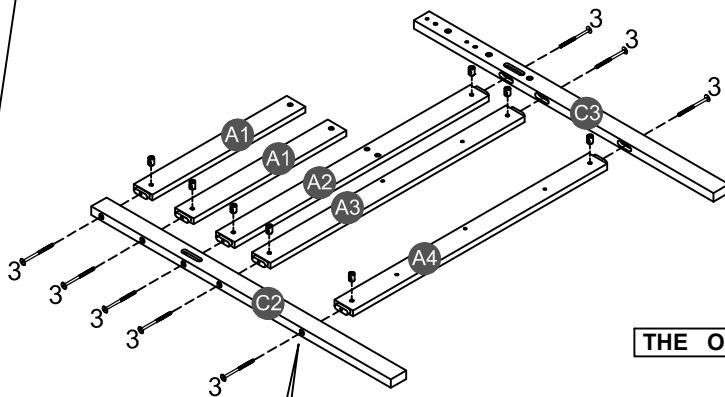
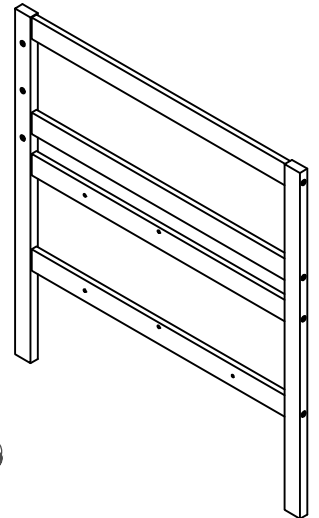
PLEASE BE CAREFUL DO NOT DAMAGE THE HOLE POSITION WHEN YOU USE POWER TOOLS !

# STEP 1:

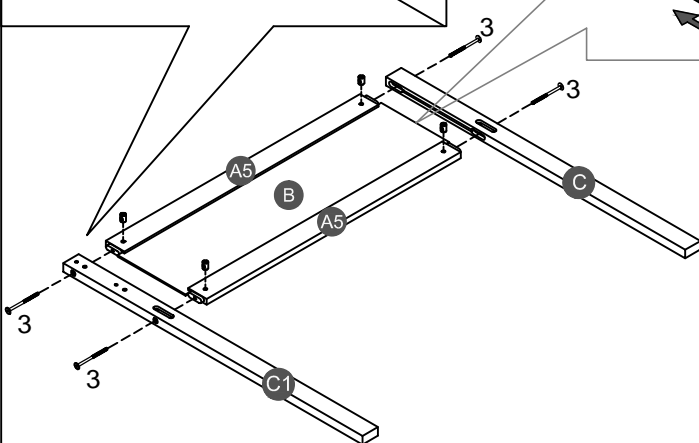
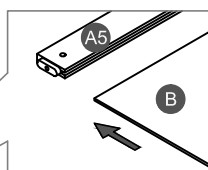
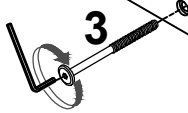
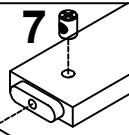
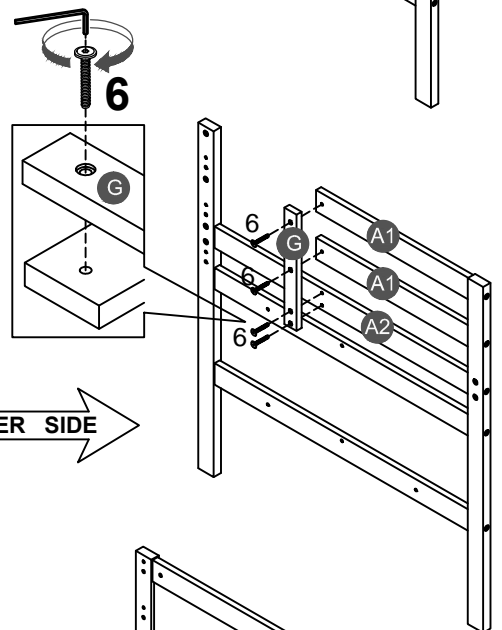
<b>3</b> 	<b>6</b> 	<b>7</b> 
<b>20PCS</b>	<b>4PCS</b>	<b>20PCS</b>



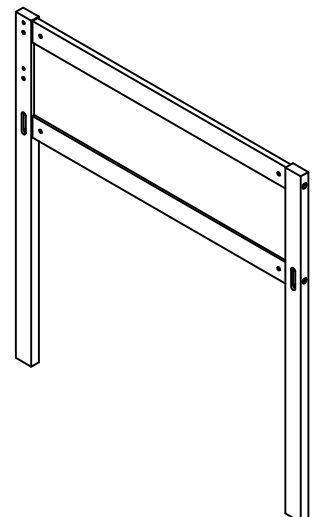
THE OTHER SIDE →



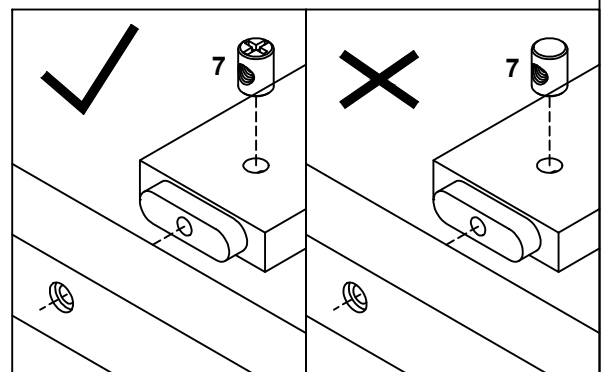
THE OTHER SIDE →



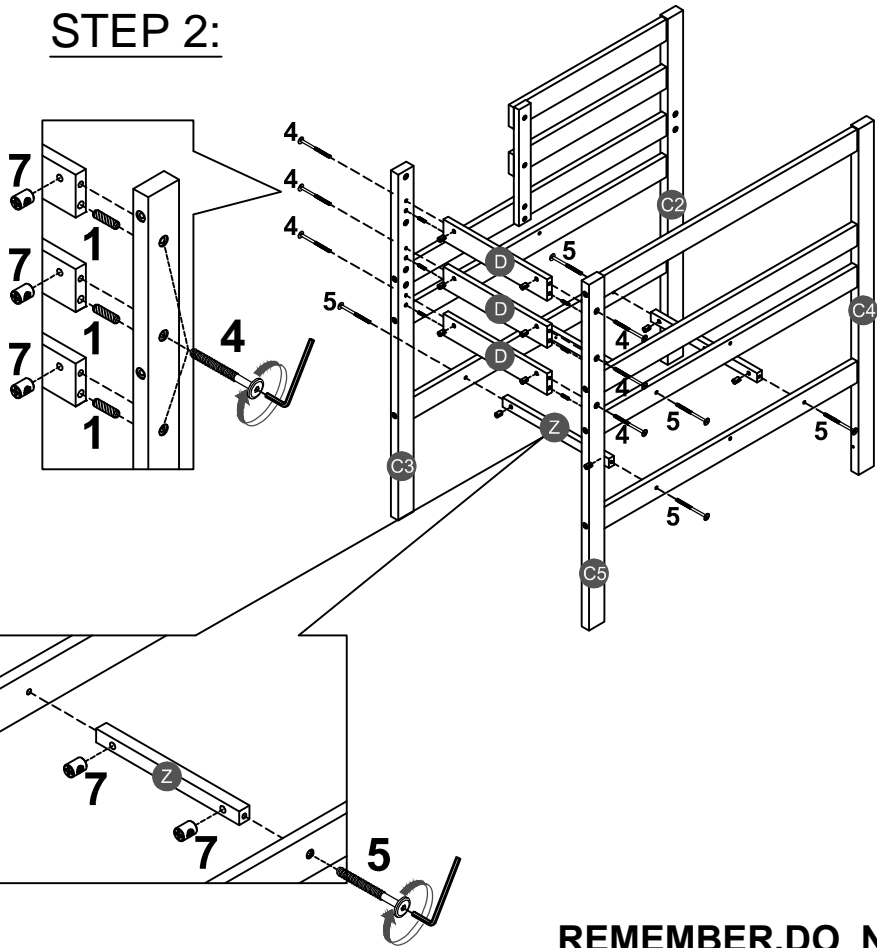
THE OTHER SIDE →



Note: Part 7 will face up with the "x" mark on it, otherwise it cannot be tightened



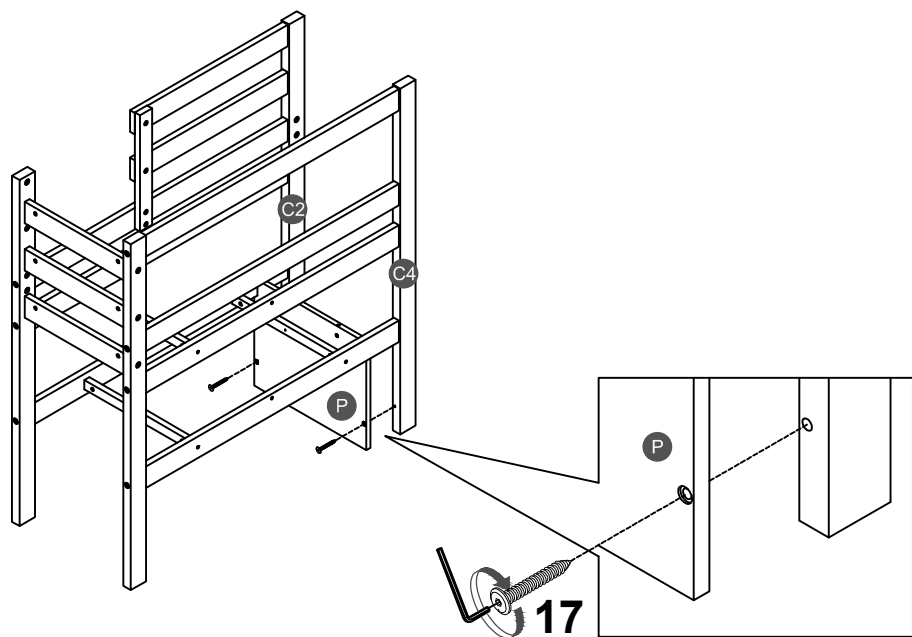
**STEP 2:**



<b>1</b>		<b>4</b>		<b>5</b>	
<b>6PCS</b>		<b>6PCS</b>		<b>6PCS</b>	
			<b>7</b>		
			<b>12PCS</b>		





**REMEMBER, DO NOT full tighten screws step 2---step 6 until step 6 is completed.**

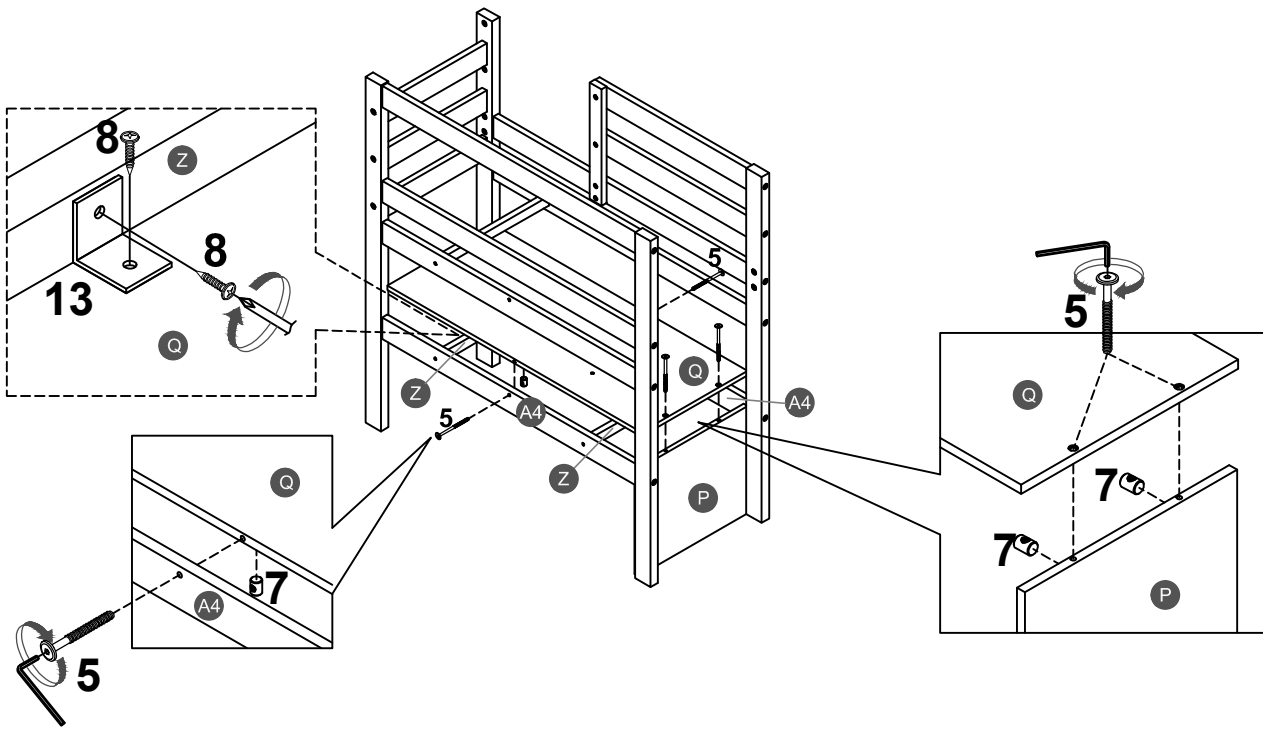
**STEP 3:**





<b>17</b>	
<b>2PCS</b>	

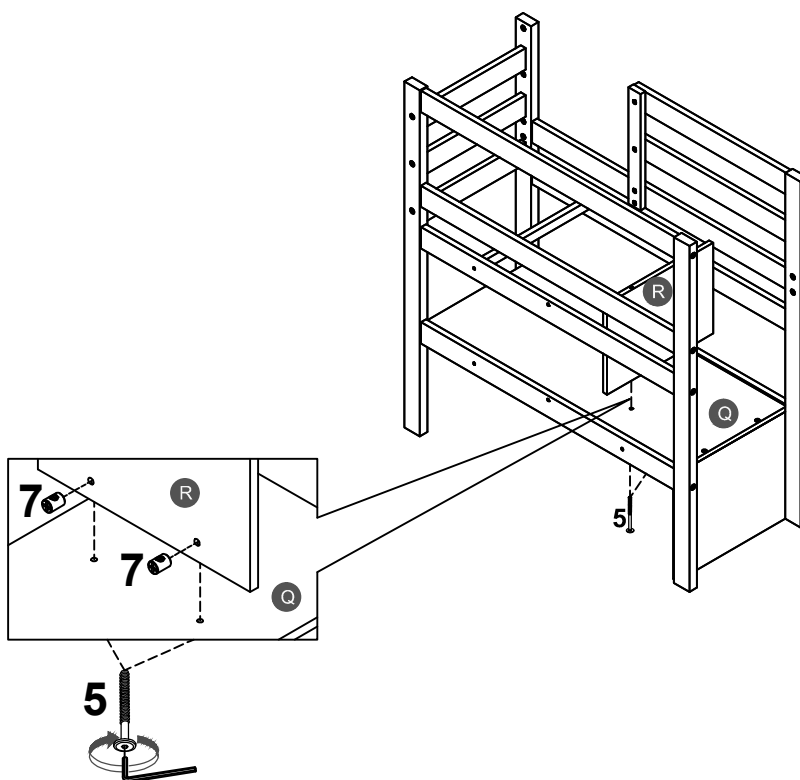
# STEP 4:

<b>5</b>		<b>7</b>		<b>8</b>	
<b>4PCS</b>		<b>4PCS</b>		<b>4PCS</b>	
					<b>13</b>
					
					<b>2PCS</b>







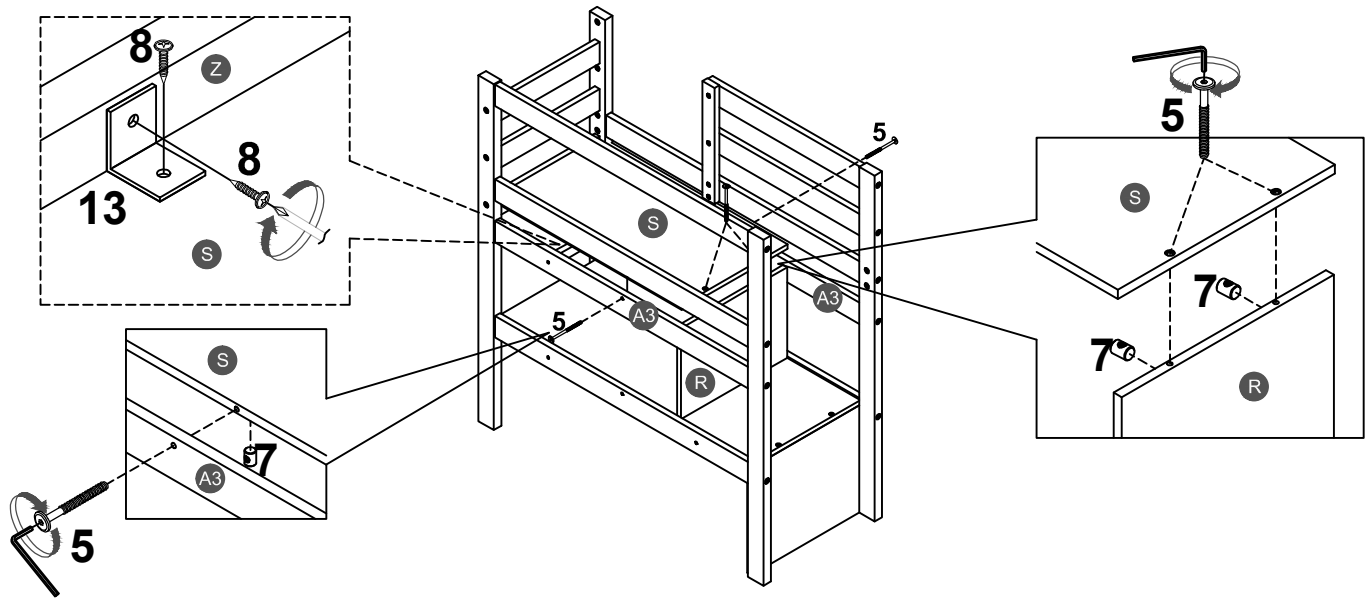
# STEP 5:

<b>5</b>		<b>7</b>	
<b>2PCS</b>		<b>2PCS</b>	




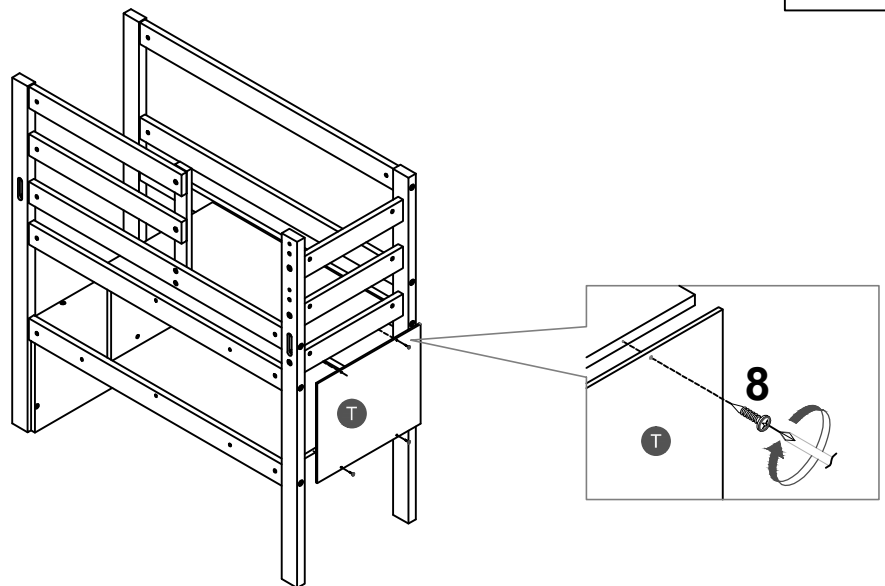
**STEP 6:**

<b>5</b>		<b>7</b>		<b>8</b>		<b>13</b>	
<b>4PCS</b>		<b>4PCS</b>		<b>2PCS</b>		<b>1PC</b>	







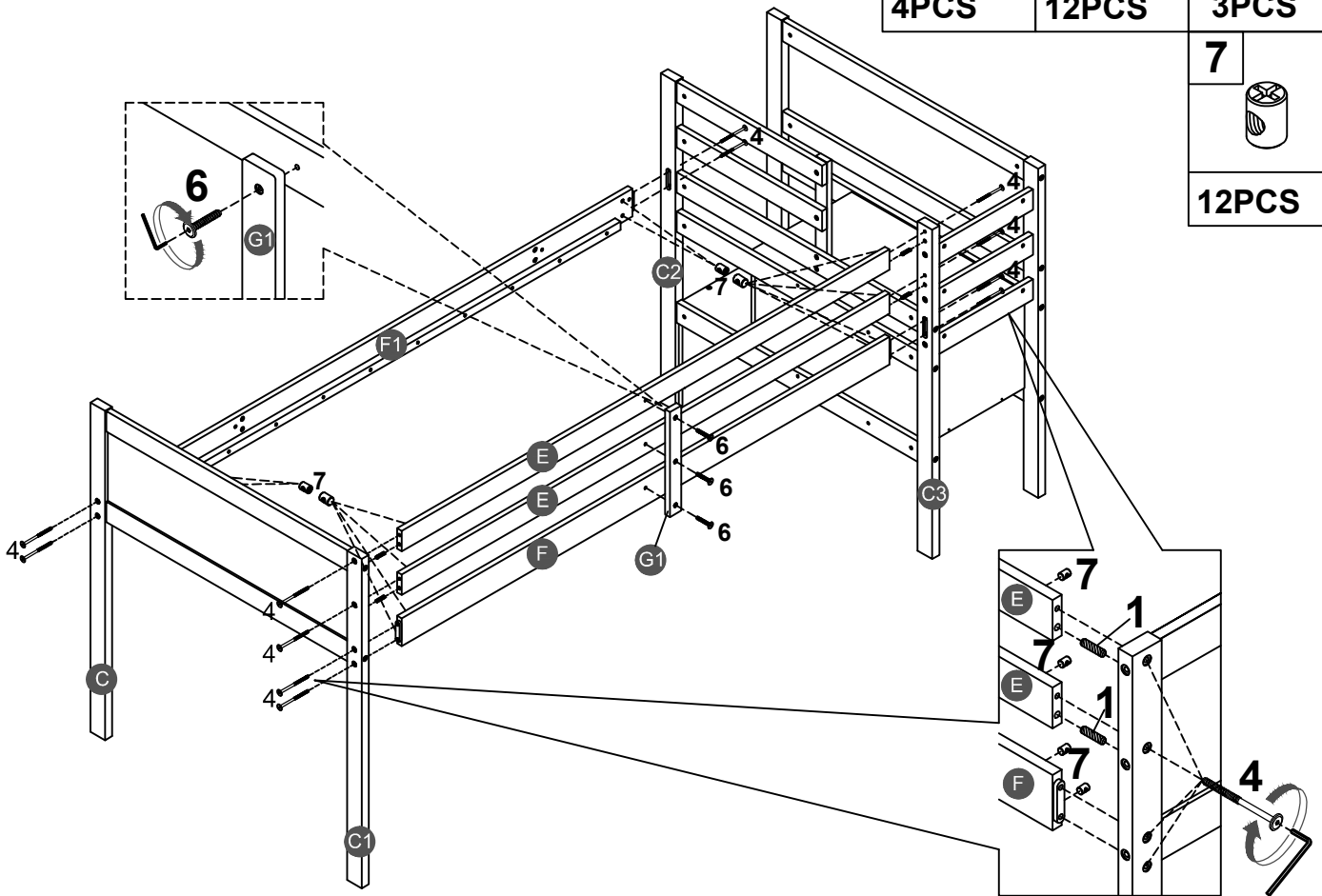
**STEP 7:**

<b>8</b>	
<b>4PCS</b>	






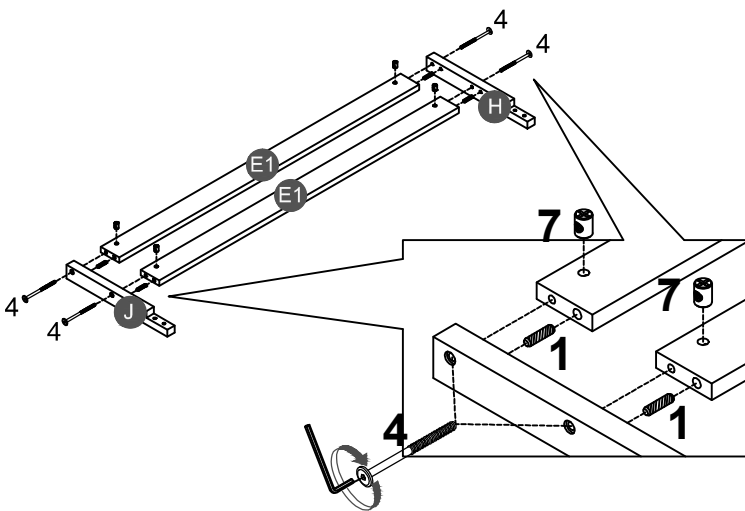
# STEP 8:

<b>1</b>		<b>4</b>		<b>6</b>	
<b>4PCS</b>		<b>12PCS</b>		<b>3PCS</b>	
				<b>7</b>	
				<b>12PCS</b>	

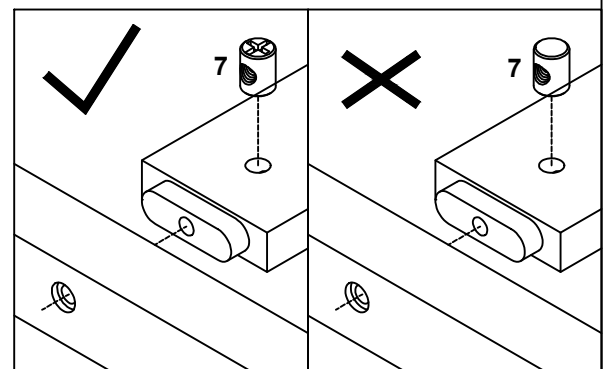


# STEP 9:

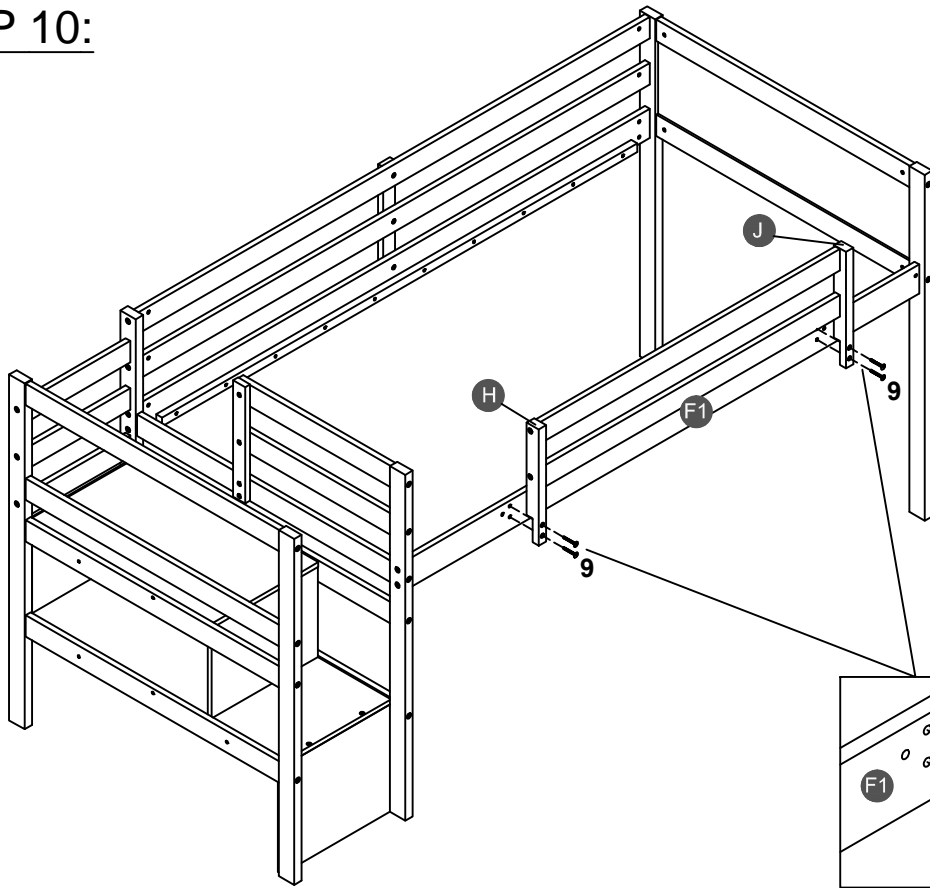
<b>1</b>		<b>4</b>		<b>7</b>	
<b>4PCS</b>		<b>4PCS</b>		<b>4PCS</b>	




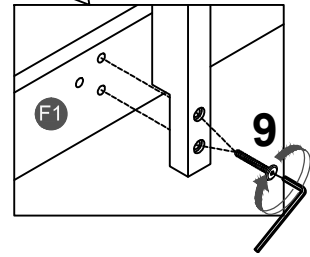
Note: Part 7 will face up with the "x" mark on it, otherwise it cannot be tightened



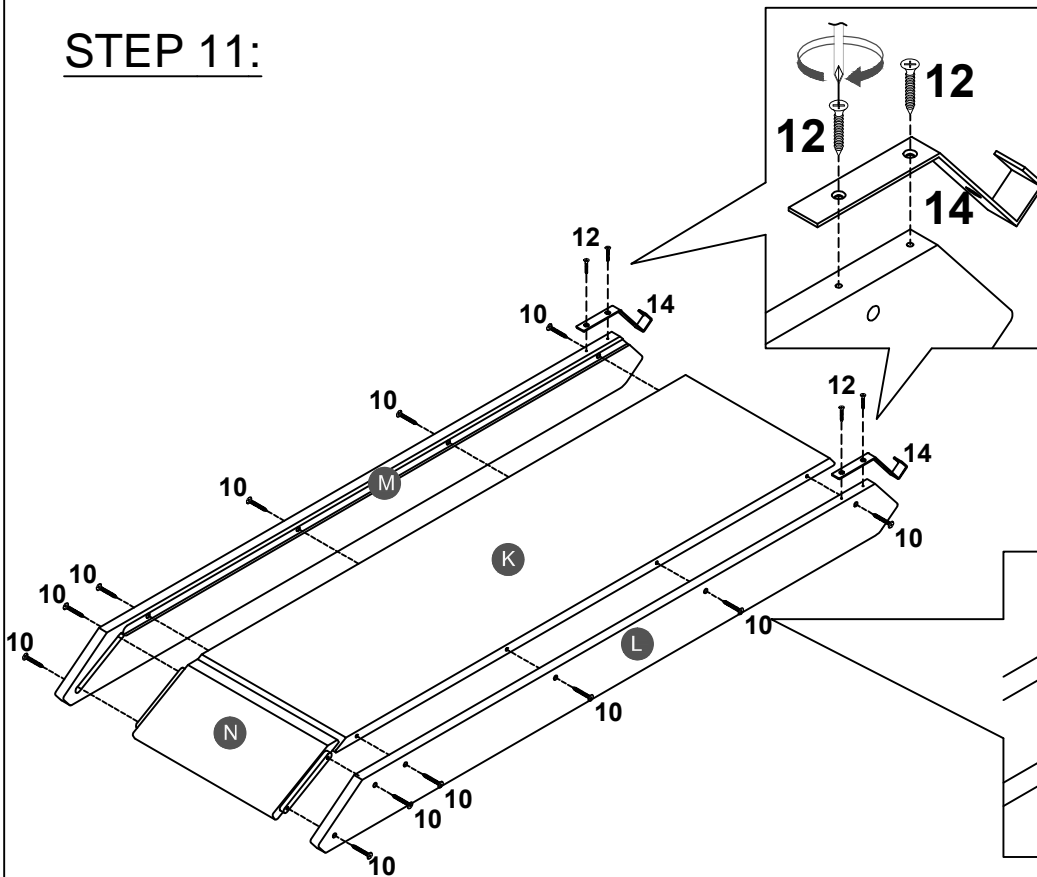
**STEP 10:**

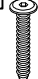




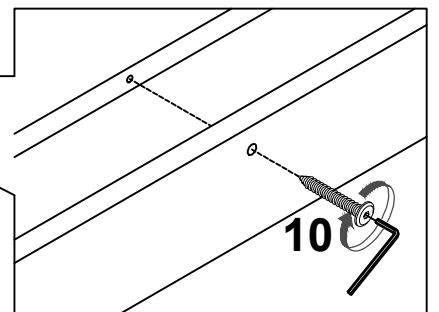
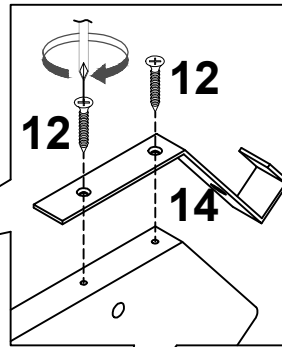
<b>9</b>	
<b>4PCS</b>	



**STEP 11:**



<b>10</b>		<b>12</b>	
<b>12PCS</b>		<b>4PCS</b>	
		<b>14</b>	
		<b>2PCS</b>	

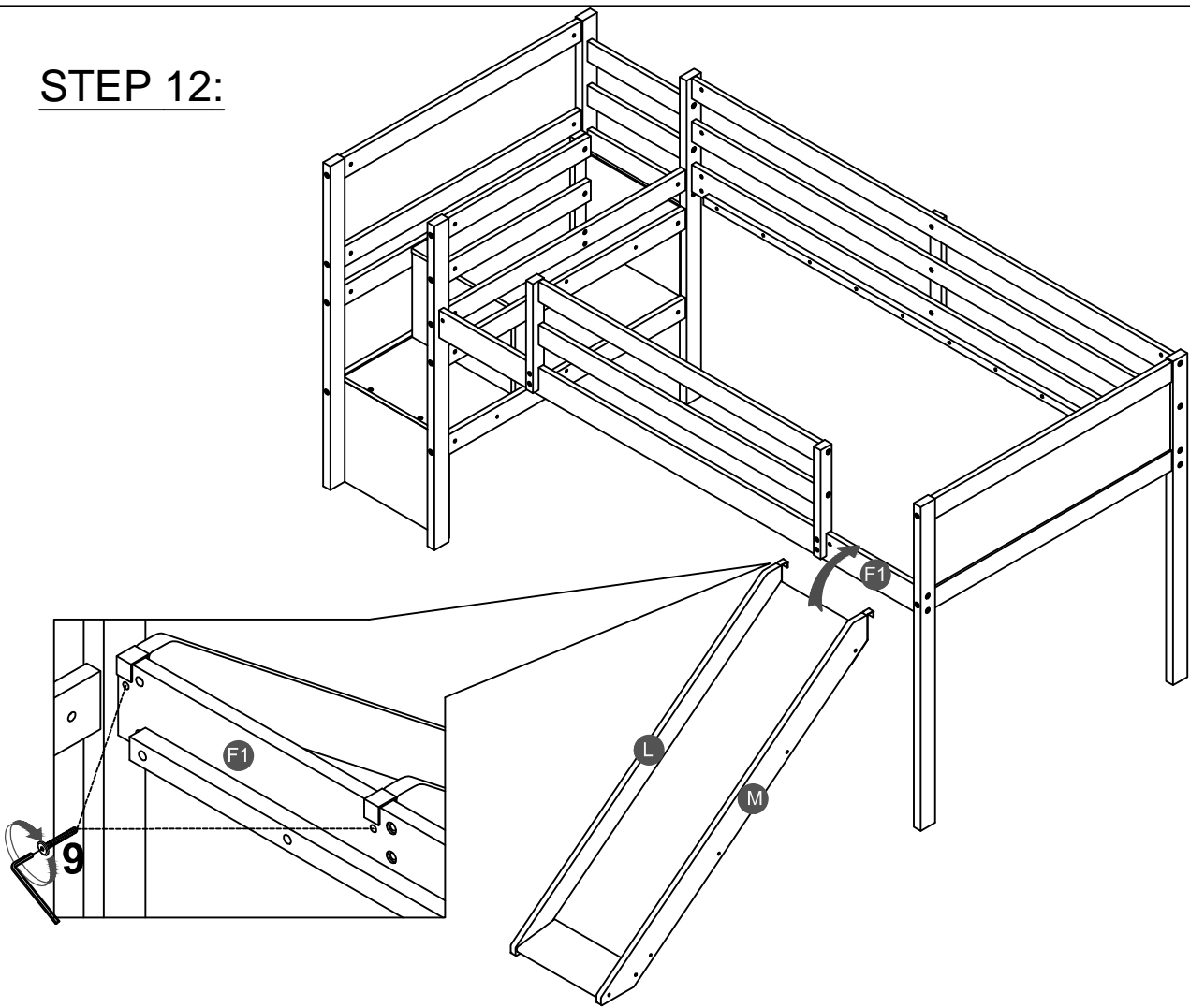


## STEP 12:

9



2PCS

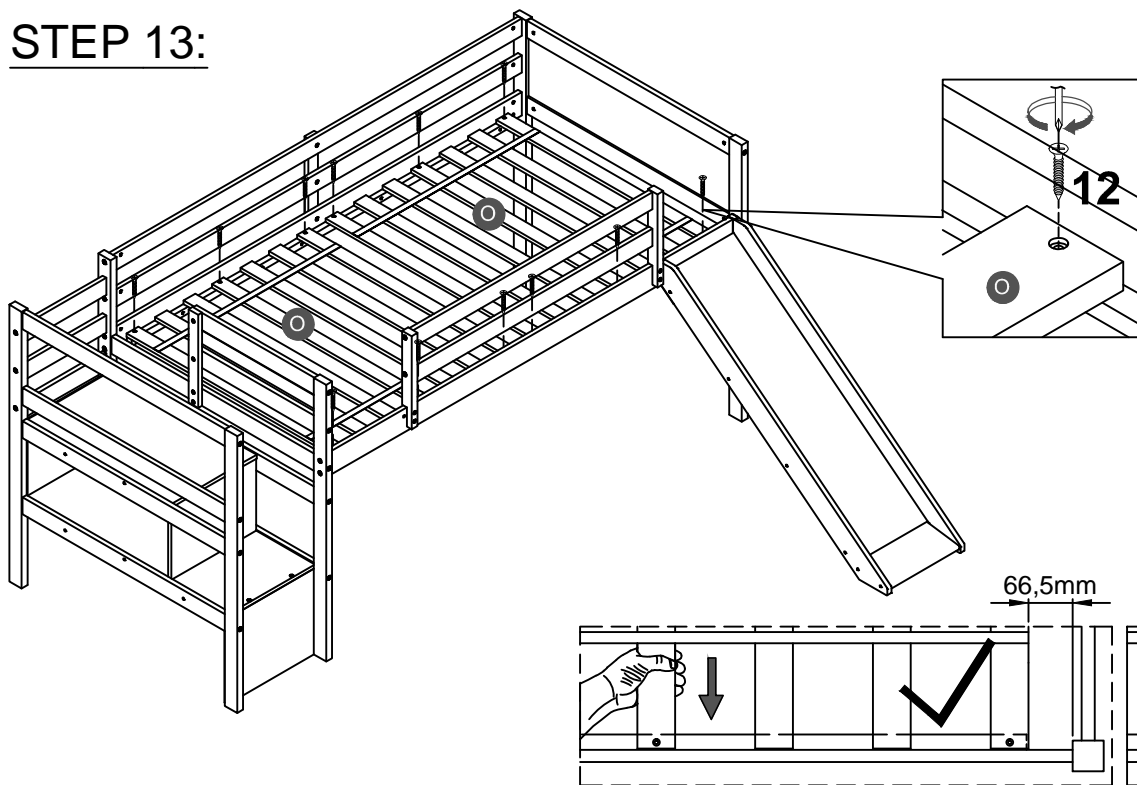


## STEP 13:

12

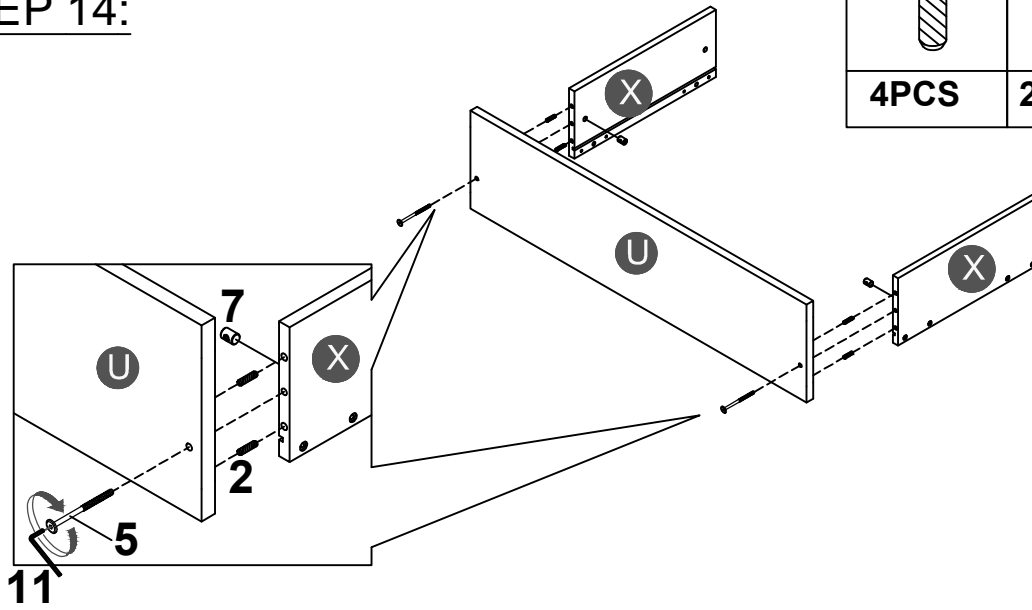





12PCS



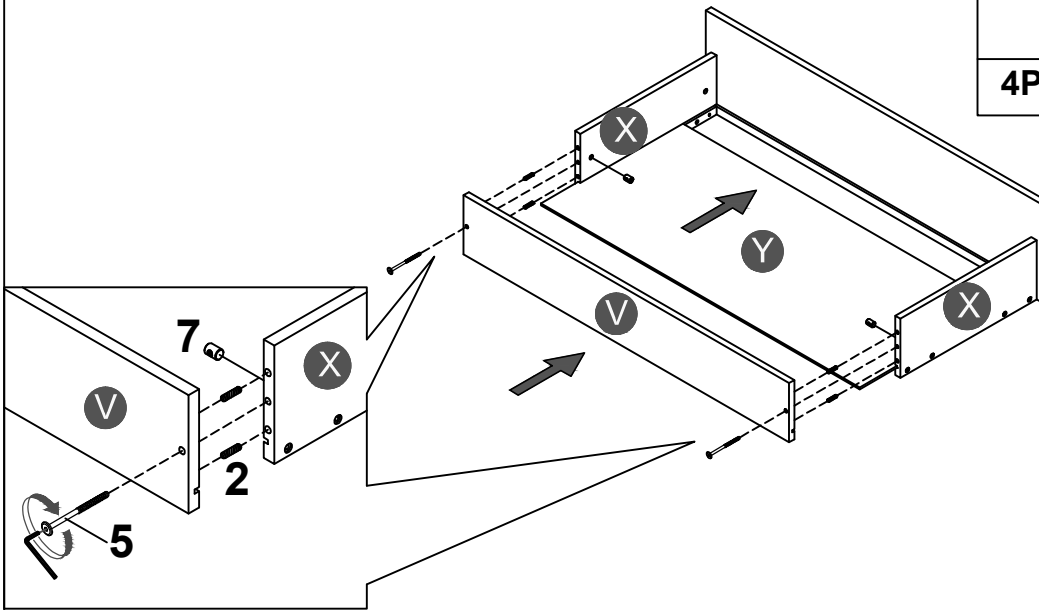
Note: Do not lock the screws of the bed slats to the outermost edge of the bed slats, you need to leave a certain space at the edges, otherwise it will cause the board to break. Do not lock the bed slats on the edge of the wood, please hold firmly before screwing, hold it in place with one hand, then lock the screw.




**STEP 14:**



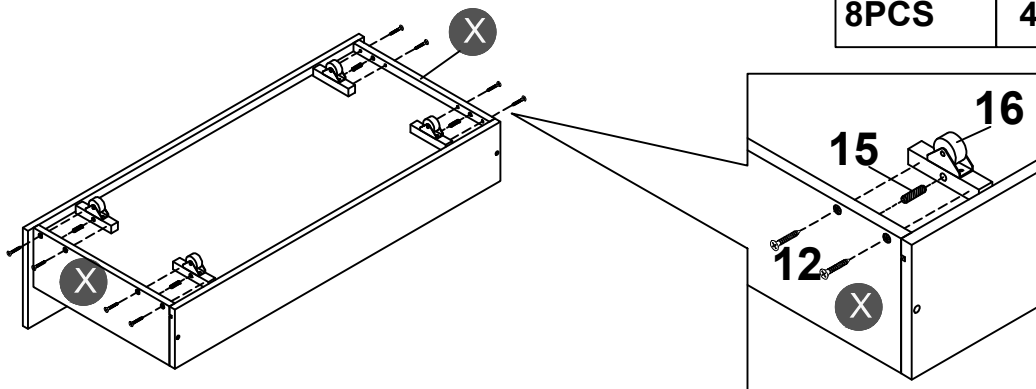
<b>2</b>		<b>5</b>		<b>7</b>	
<b>4PCS</b>		<b>2PCS</b>		<b>2PCS</b>	



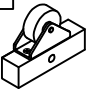
**STEP 15:**



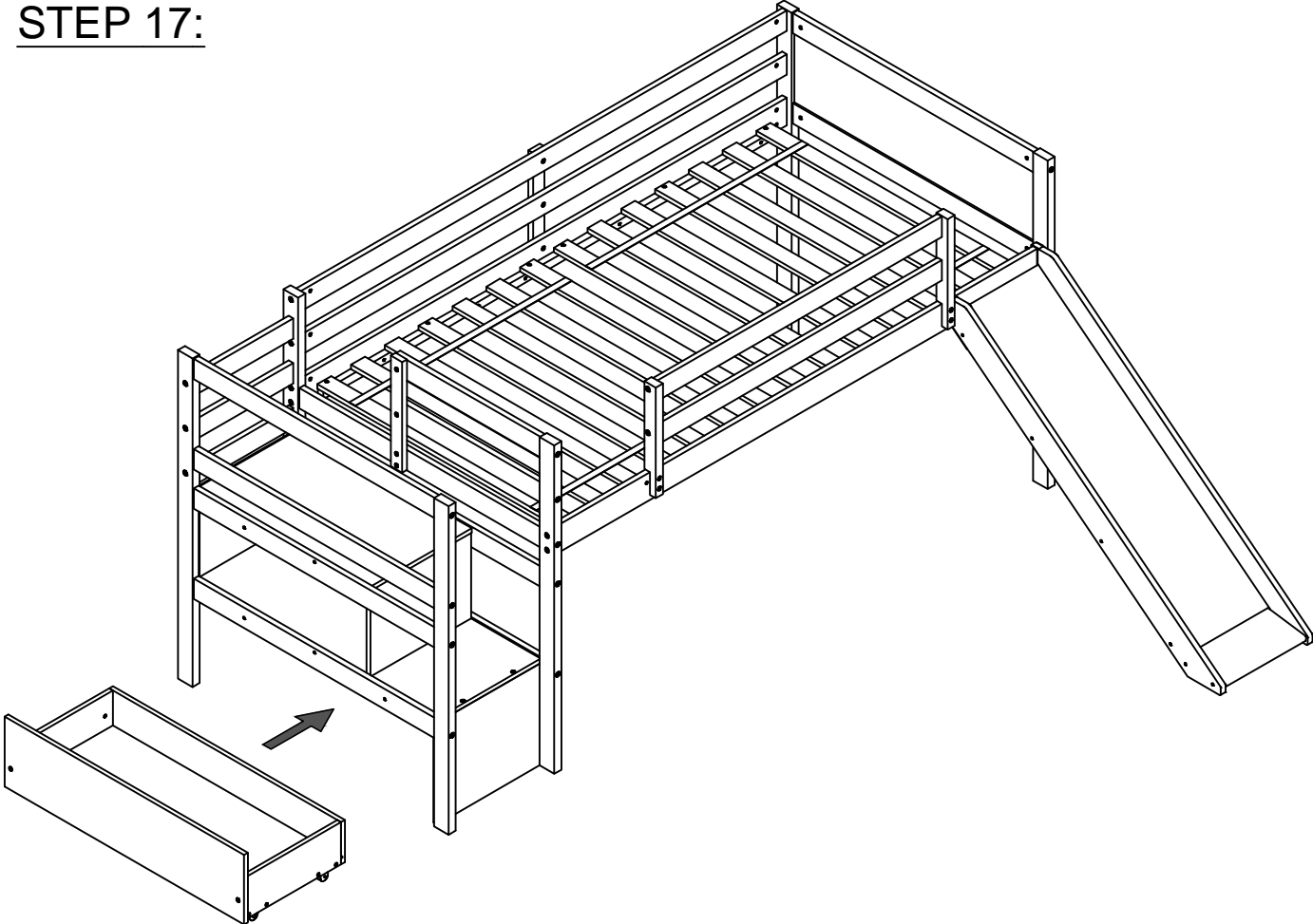
<b>2</b>		<b>5</b>		<b>7</b>	
<b>4PCS</b>		<b>2PCS</b>		<b>2PCS</b>	

**STEP 16:**



<b>12</b>		<b>15</b>		<b>16</b>	
<b>8PCS</b>		<b>4PCS</b>		<b>4PCS</b>	

**STEP 17:**



Push Drawer under the bottom of Bunkbed.

