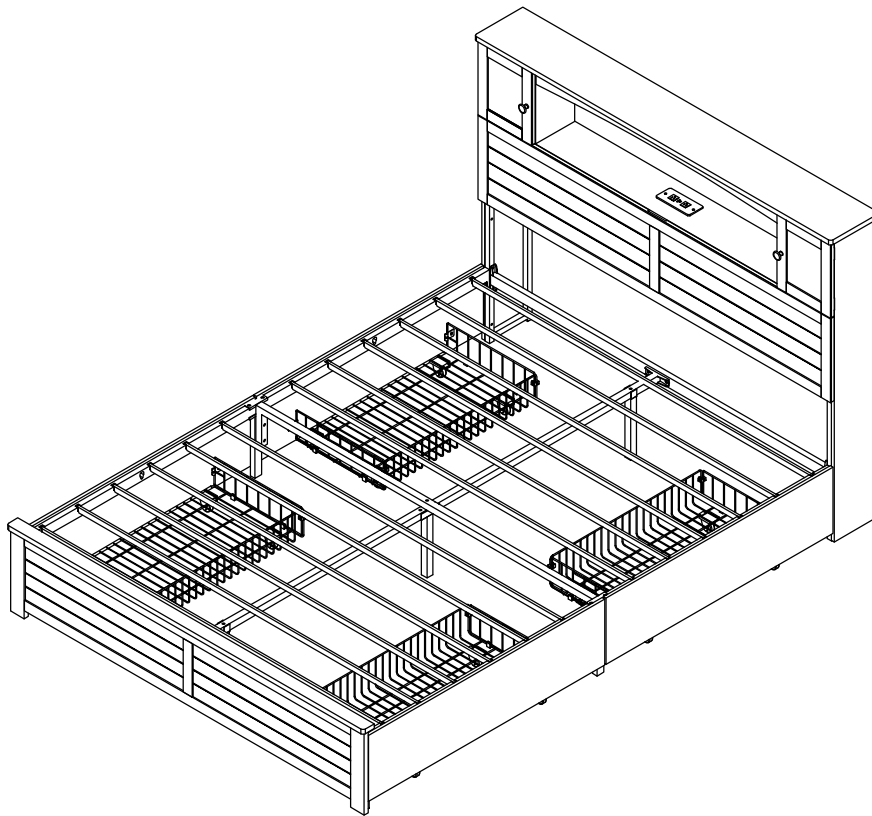


Version:1.0

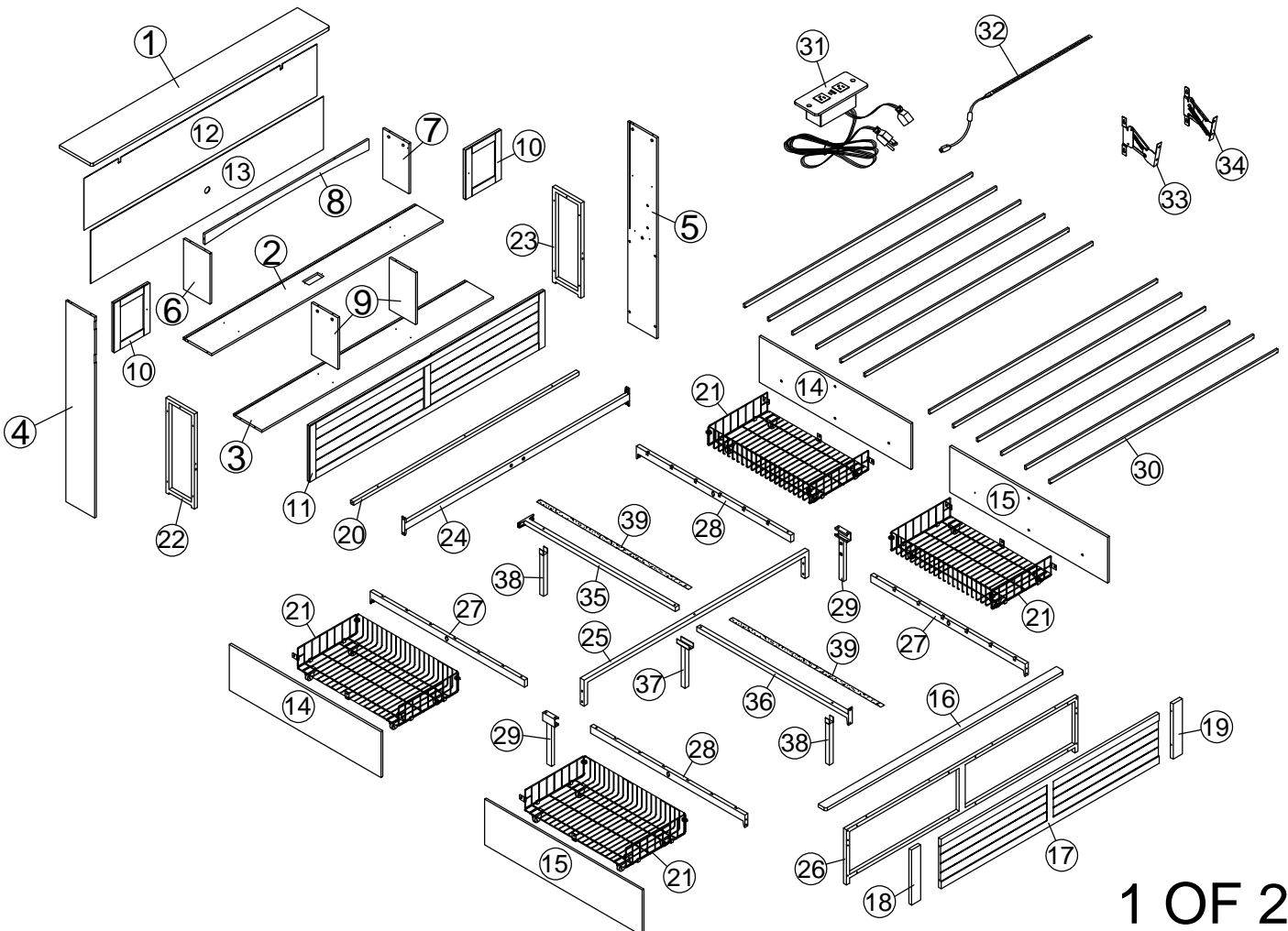


Note:

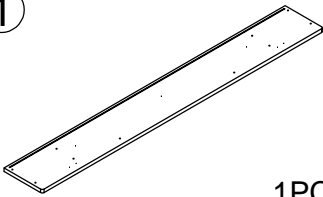
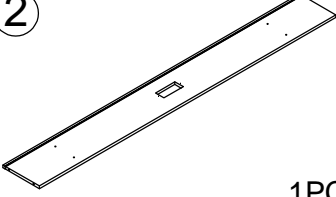
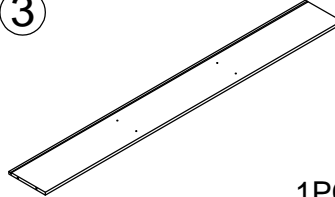


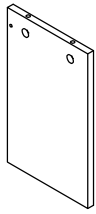
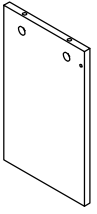
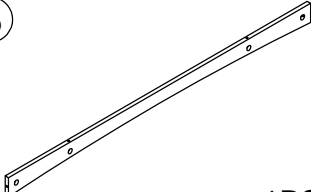
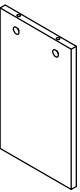
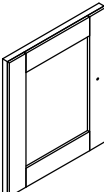
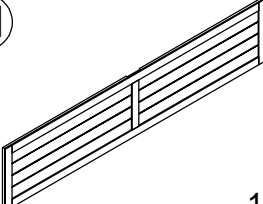
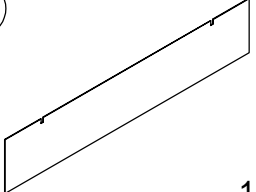
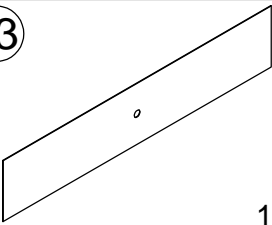
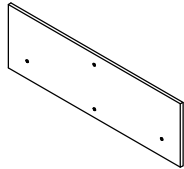
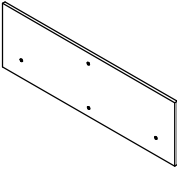
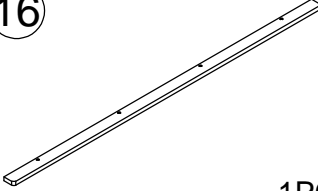
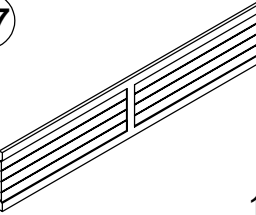


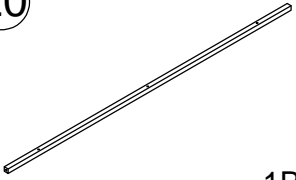
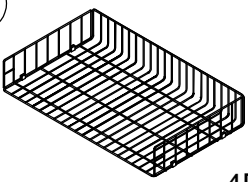
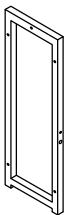

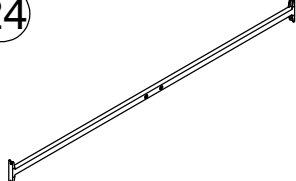
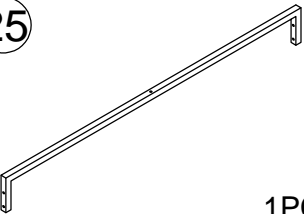
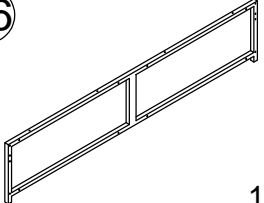
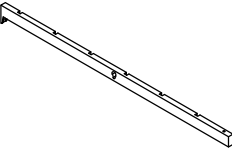
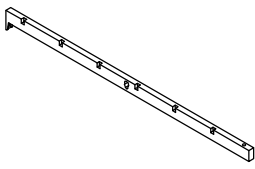
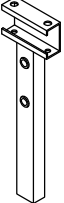
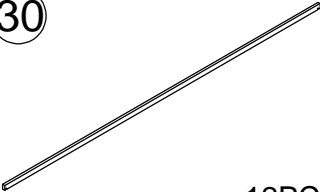
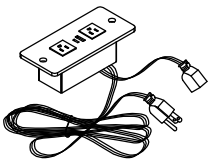
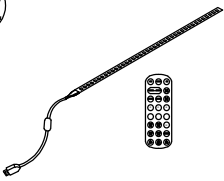
Should be assembled on flat ground to keep balance.

It needs at least two people to install.

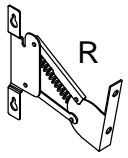
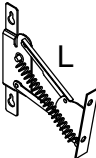
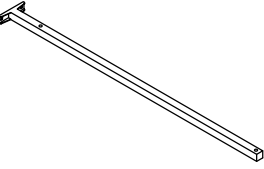
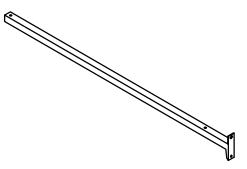
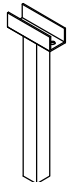
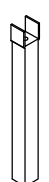
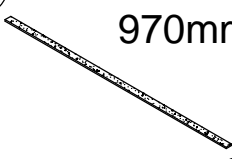
Before starting the assembly, you must read the whole manual and follow the instructions.



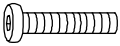
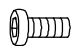
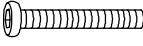
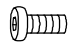


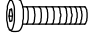

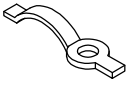
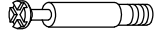

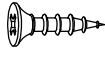
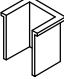
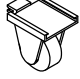

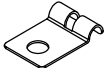
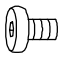


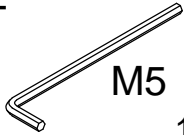


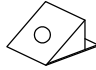
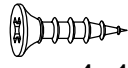
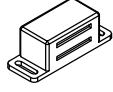
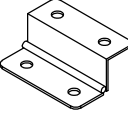


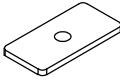
Part list

①  1PC	②  1PC	③  1PC	④  1PC
⑤  1PC	⑥  1PC	⑦  1PC	⑧  1PC
⑨  2PCS	⑩  2PCS	⑪  1PC	⑫  1PC
⑬  1PC	⑭  2PCS	⑮  2PCS	⑯  1PC
⑰  1PC	⑱  1PC	⑲  1PC	⑳  1PC
㉑  4PCS	㉒  1PC	㉓  1PC	㉔  1PC
㉕  1PC	㉖  1PC	㉗  2PCS	㉘  2PCS
㉙  2PCS	㉚  12PCS	㉛  1PC	㉜  1PC

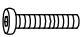

Part list

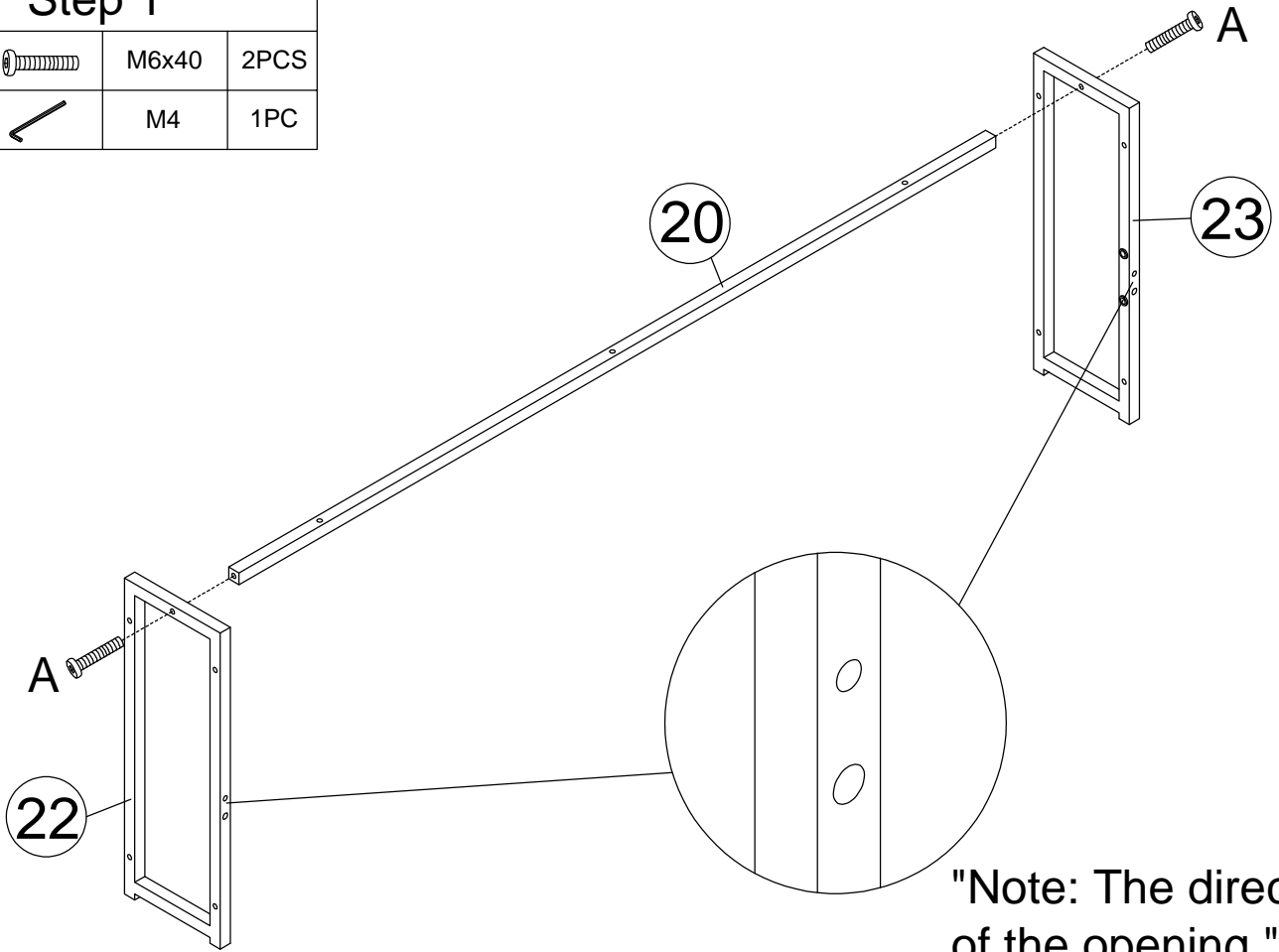
<p>33</p>  <p>1PC</p>	<p>34</p>  <p>1PC</p>	<p>35</p>  <p>1PC</p>	<p>36</p>  <p>1PC</p>
<p>37</p>  <p>1PC</p>	<p>38</p>  <p>2PCS</p>	<p>39</p>  <p>2PCS</p>	

Hardware list



<p>A M6x40</p>  <p>6+1PCS</p>	<p>B M8x16</p>  <p>8+1PCS</p>	<p>C M8x55</p>  <p>5+1PCS</p>	<p>D M6x18</p>  <p>4+1PCS</p>	<p>E M6x20</p>  <p>4+1PCS</p>
<p>F M8x35</p>  <p>8+1PCS</p>	<p>G M6x28</p>  <p>27+2PCS</p>	<p>H M5x40</p>  <p>8+1PCS</p>	<p>I</p>  <p>3+1PC</p>	<p>J</p>  <p>24+3PCS</p>
<p>K</p>  <p>24+3PCS</p>	<p>L M3.5x12</p>  <p>35+1PCS</p>	<p>M</p>  <p>24+4PCS</p>	<p>N</p>  <p>16PCS</p>	<p>O</p>  <p>8PCS</p>
<p>P</p>  <p>12PCS</p>	<p>Q M6x10</p>  <p>20+2PCS</p>	<p>R</p>  <p>4PCS</p>	<p>S M4</p>  <p>2PCS</p>	<p>T M5</p>  <p>1PC</p>
<p>U M6x30</p>  <p>4+1PCS</p>	<p>V M4</p>  <p>1PC</p>	<p>W</p>  <p>12+1PCS</p>	<p>X M3x14</p>  <p>4+1PCS</p>	<p>Y</p>  <p>2PCS</p>
<p>Z</p>  <p>4PCS</p>	<p>AA M4x20</p>  <p>2+1PCS</p>	<p>AB</p>  <p>2PCS</p>	<p>AC</p>  <p>2PCS</p>	

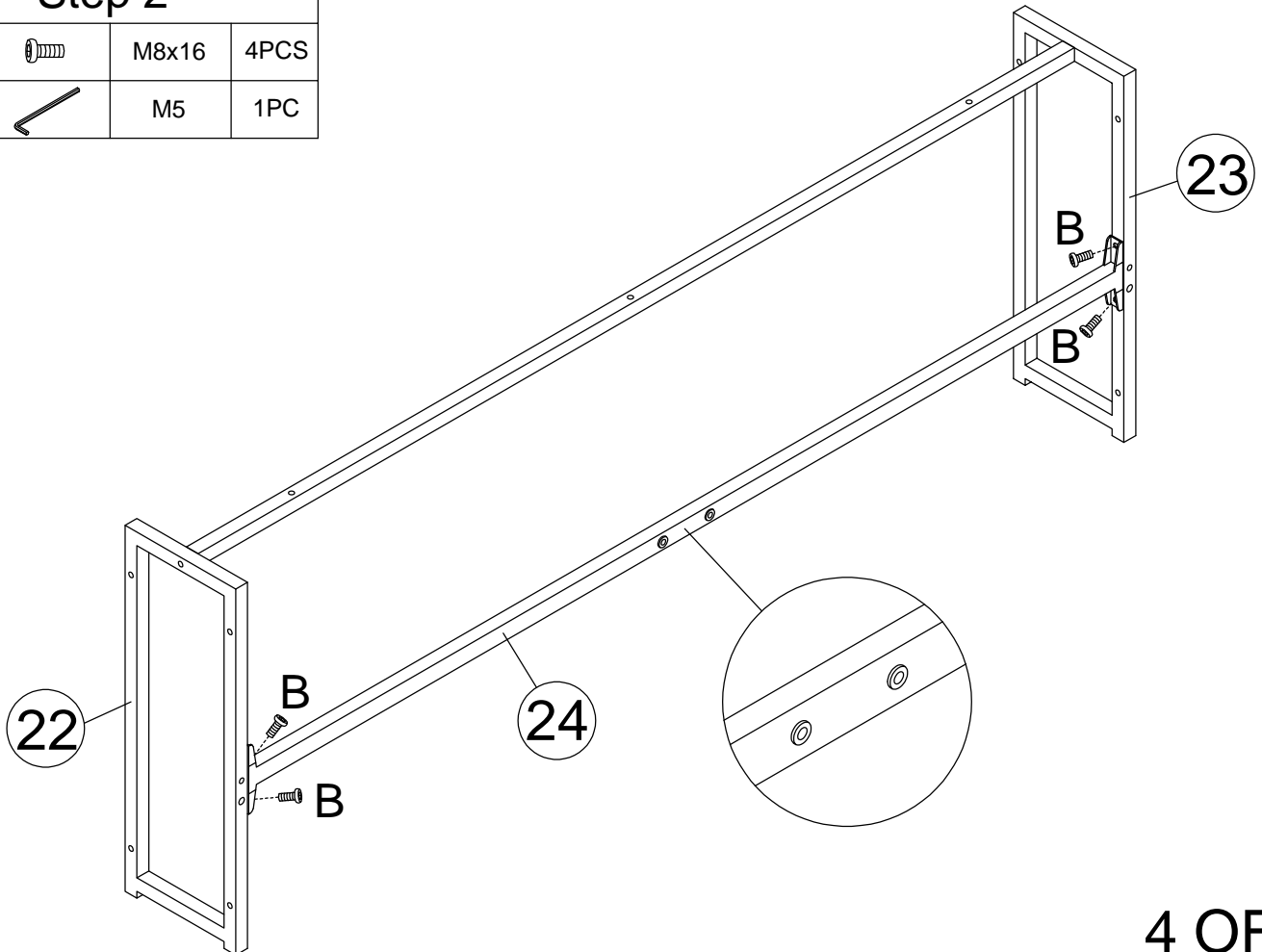
Step 1

A		M6x40	2PCS
S		M4	1PC





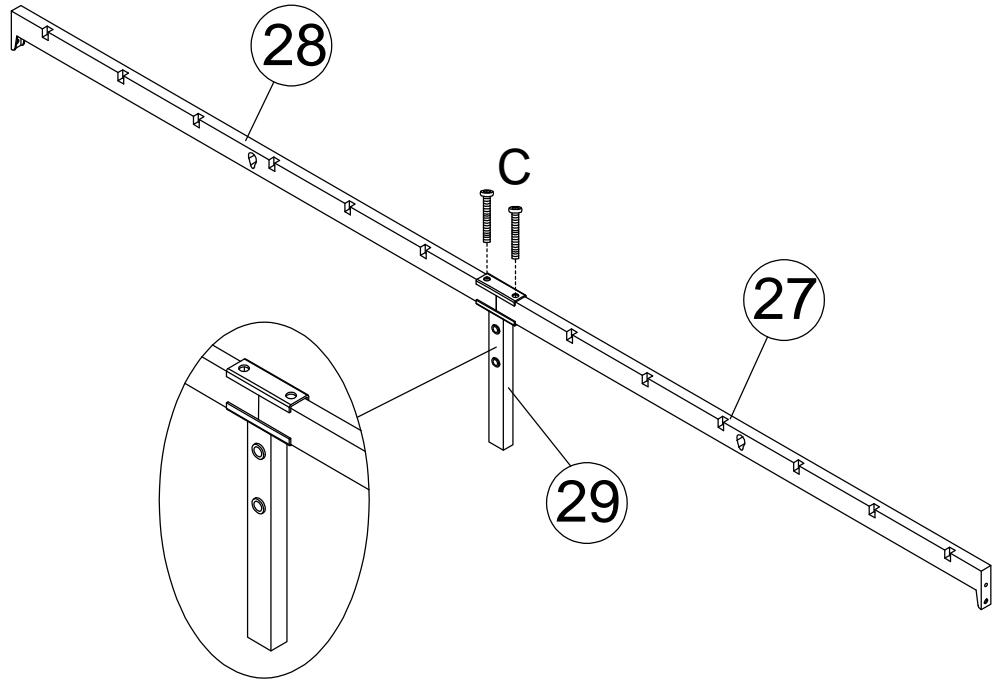
Step 2

B		M8x16	4PCS
T		M5	1PC



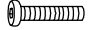



Step 3

C		M8x55	4PCS
T		M5	1PC

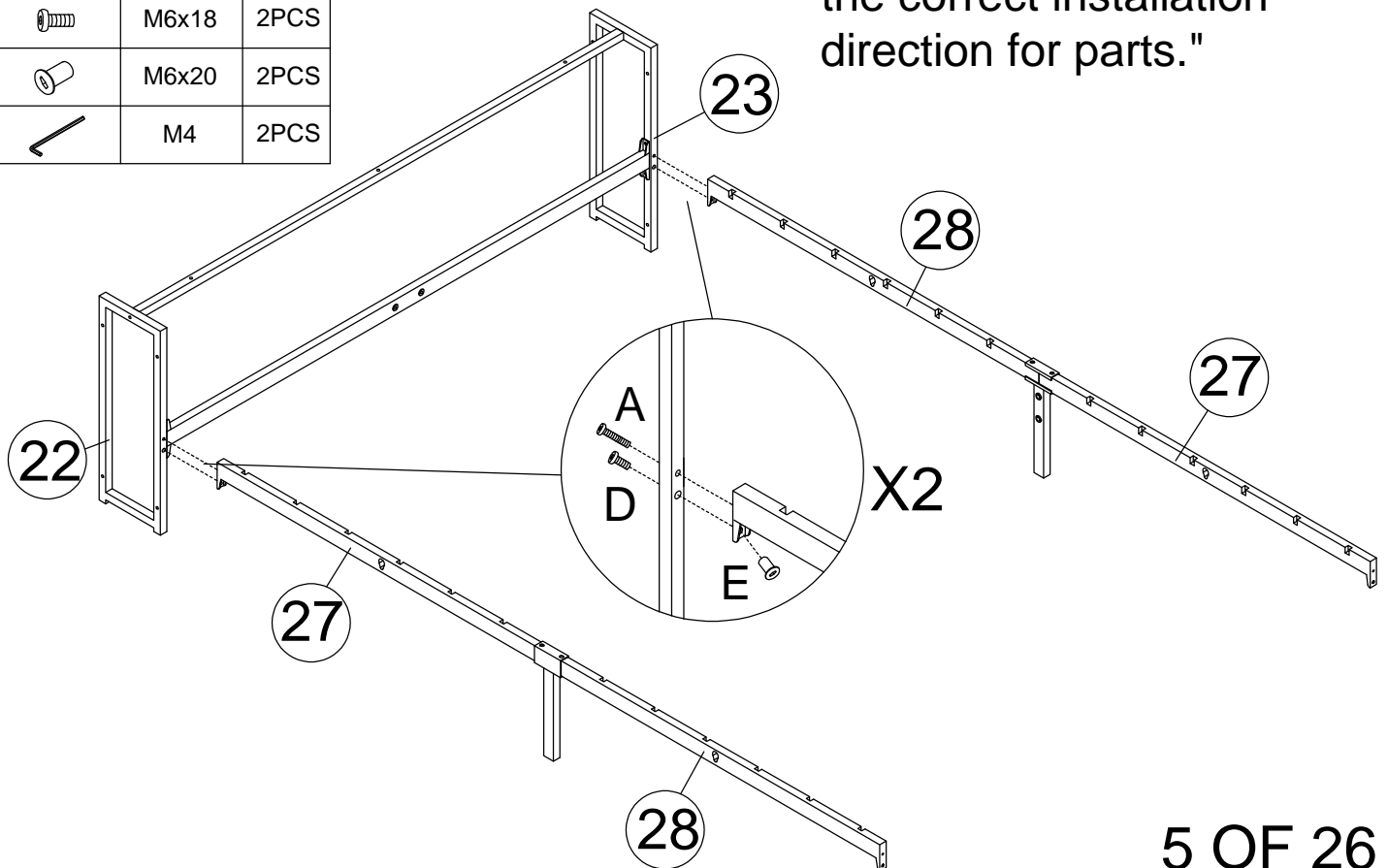


X2





Step 4

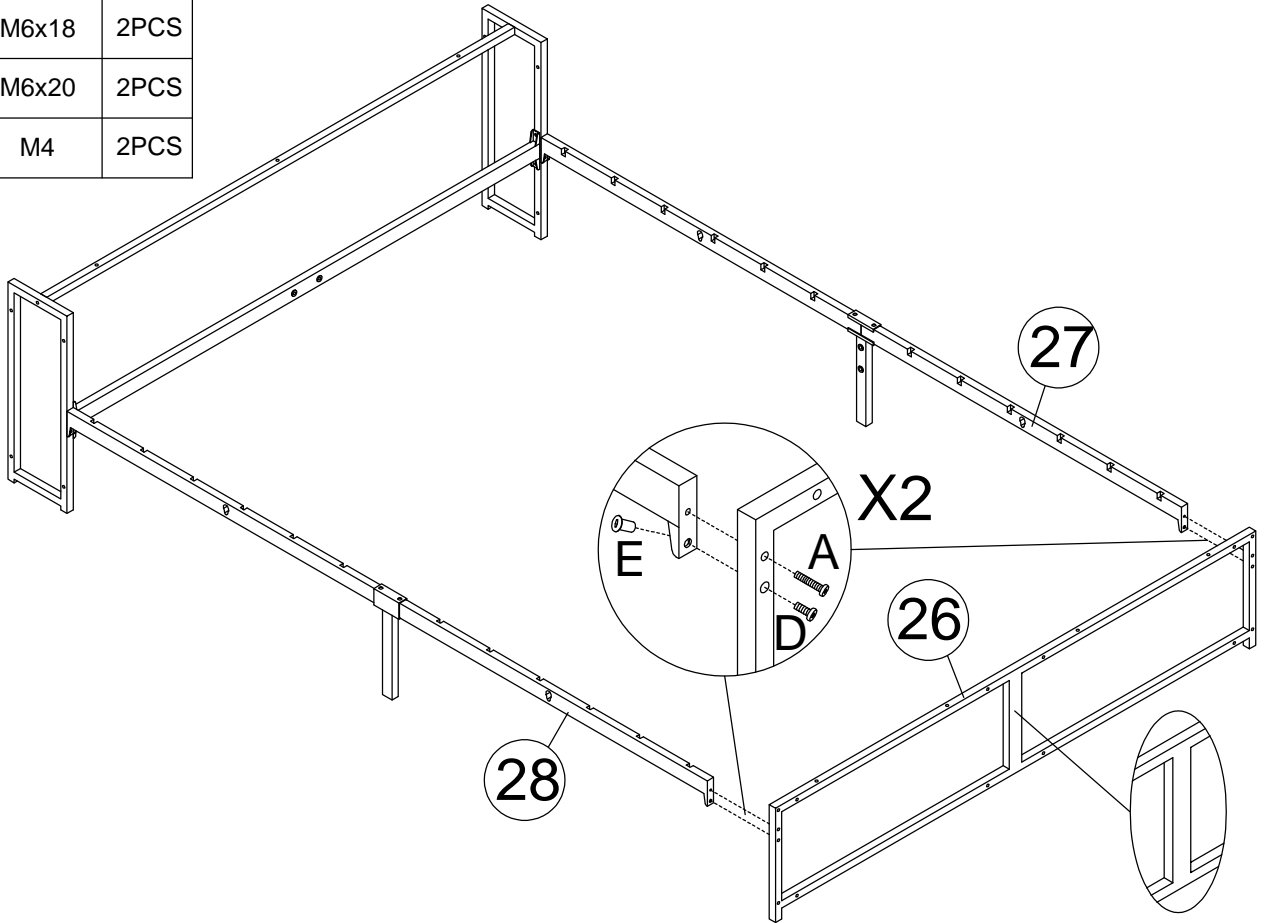
A		M6x40	2PCS
D		M6x18	2PCS
E		M6x20	2PCS
S		M4	2PCS

"Note: Make sure to follow the correct installation direction for parts."


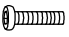



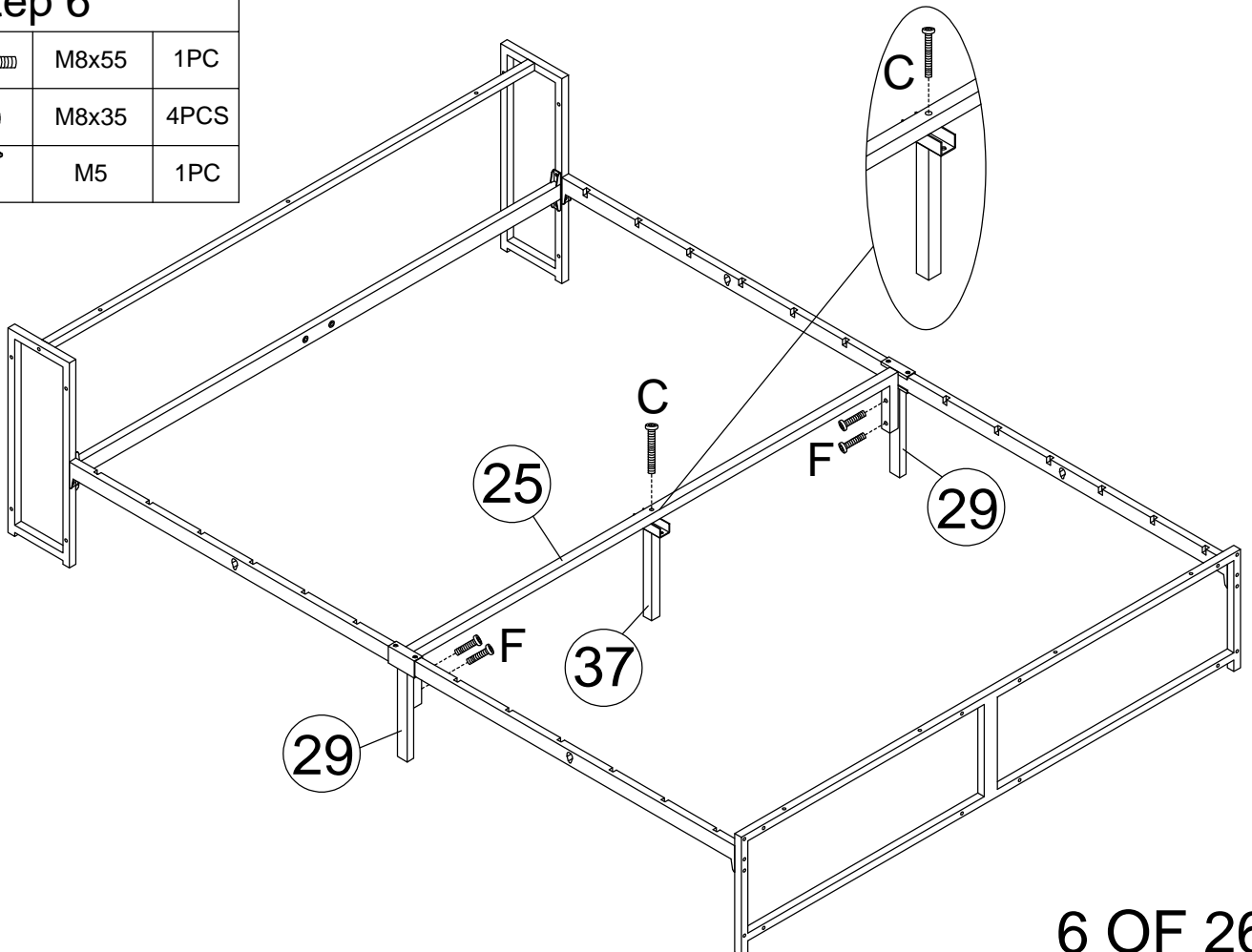
Step 5

A		M6x40	2PCS
D		M6x18	2PCS
E		M6x20	2PCS
S		M4	2PCS


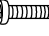



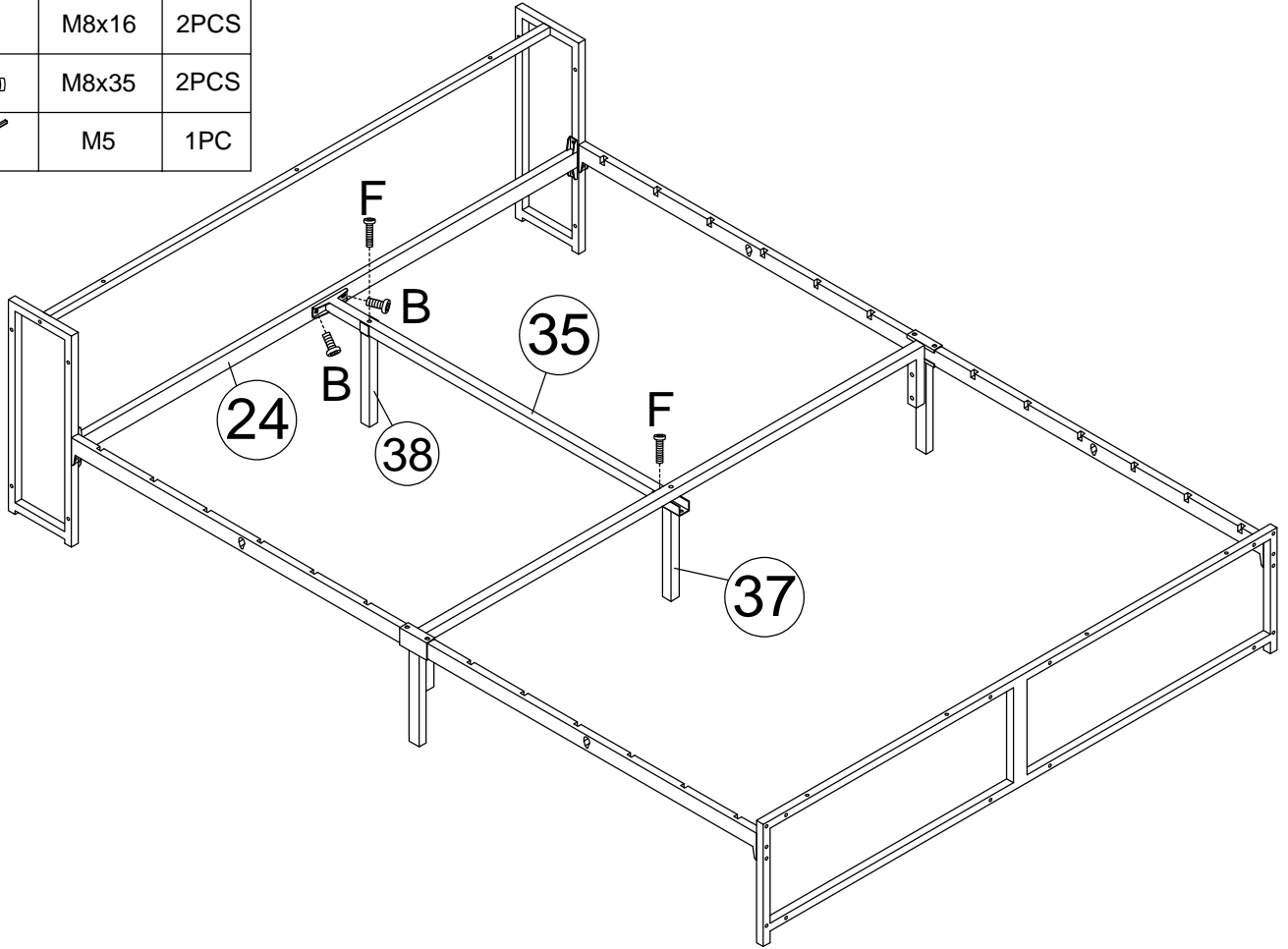
Step 6

C		M8x55	1PC
F		M8x35	4PCS
T		M5	1PC






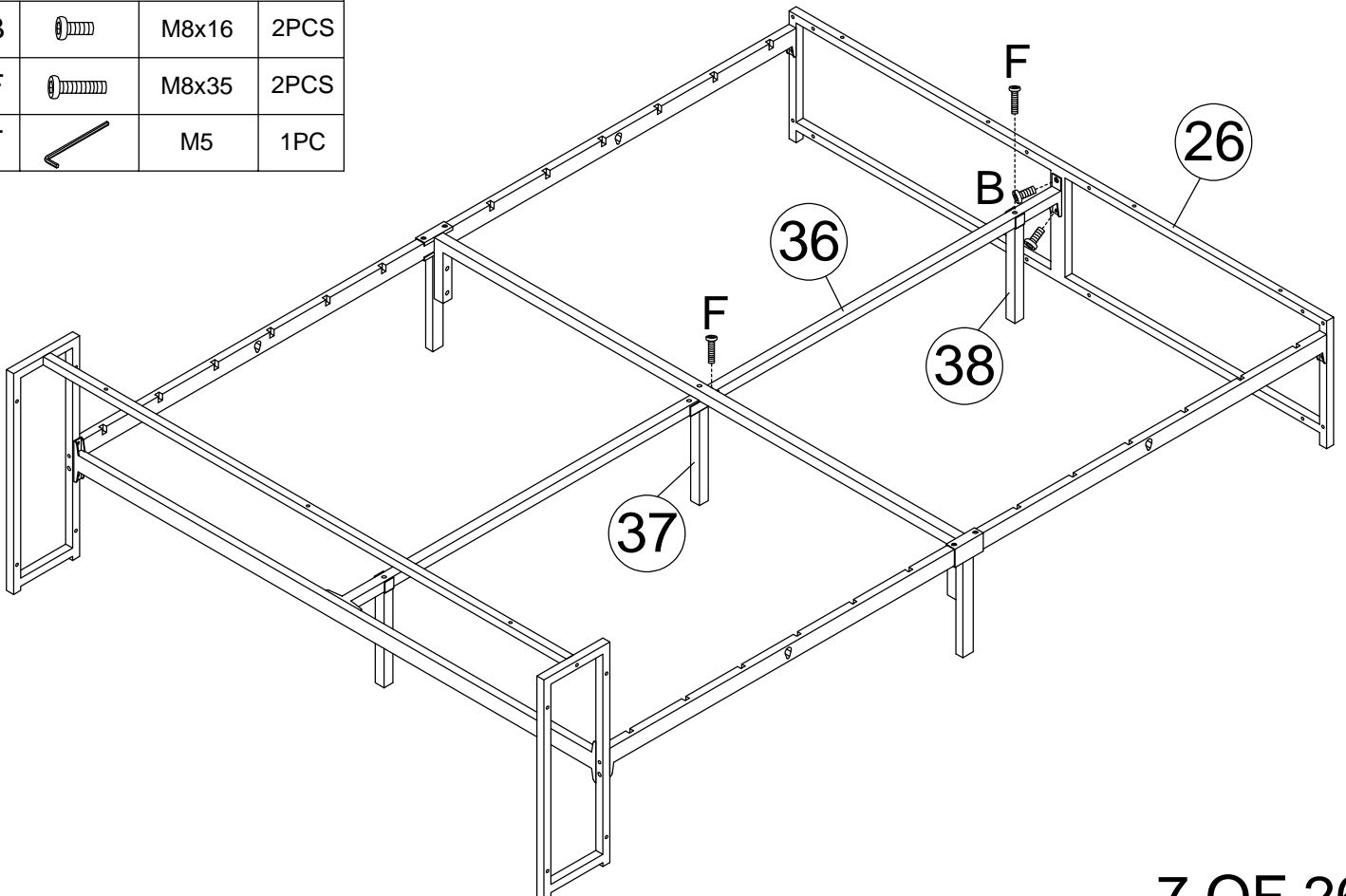
Step 7

B		M8x16	2PCS
F		M8x35	2PCS
T		M5	1PC




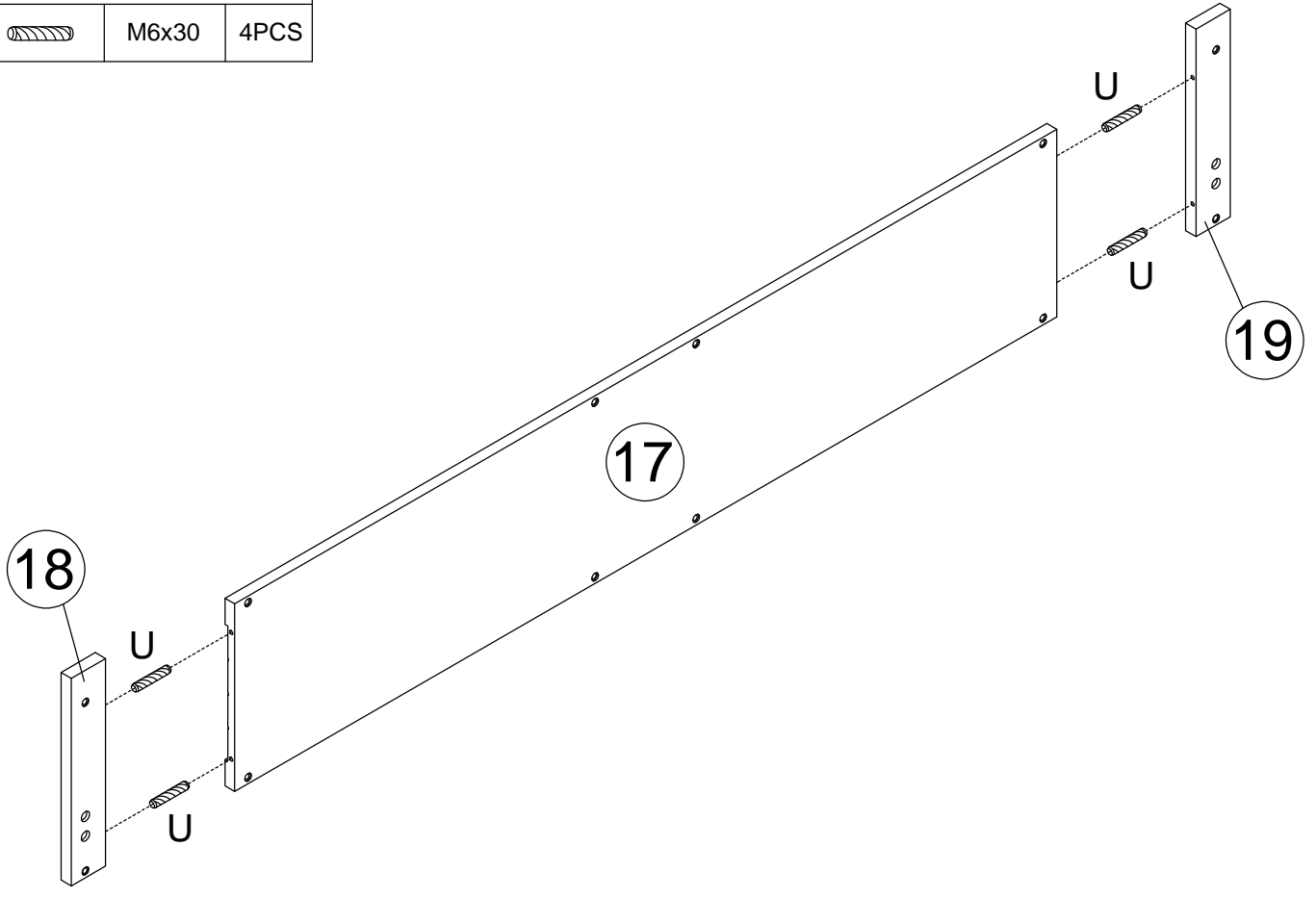
Step 8

B		M8x16	2PCS
F		M8x35	2PCS
T		M5	1PC

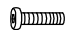



Step 9

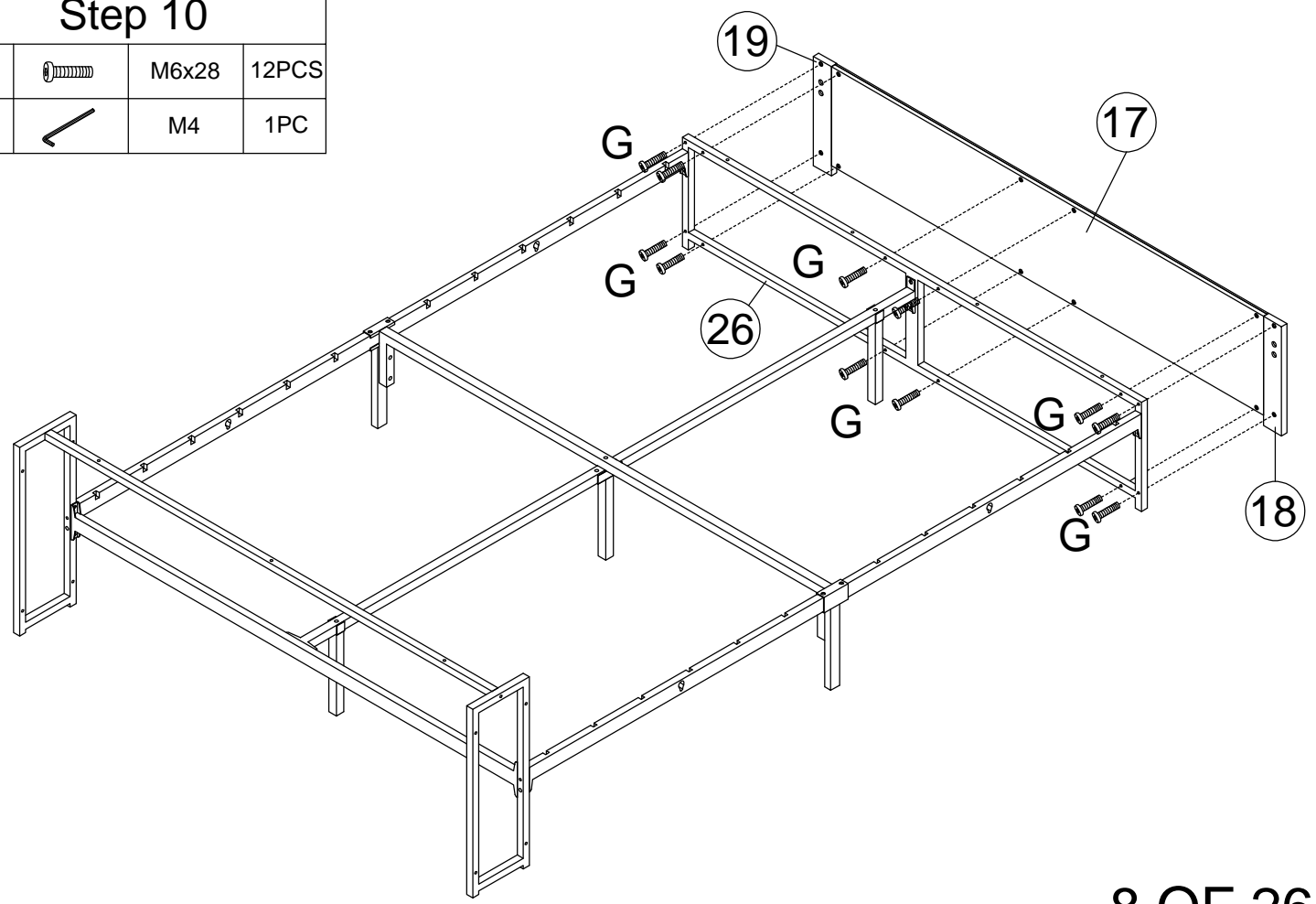
U		M6x30	4PCS
---	---	-------	------



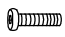

Step 10

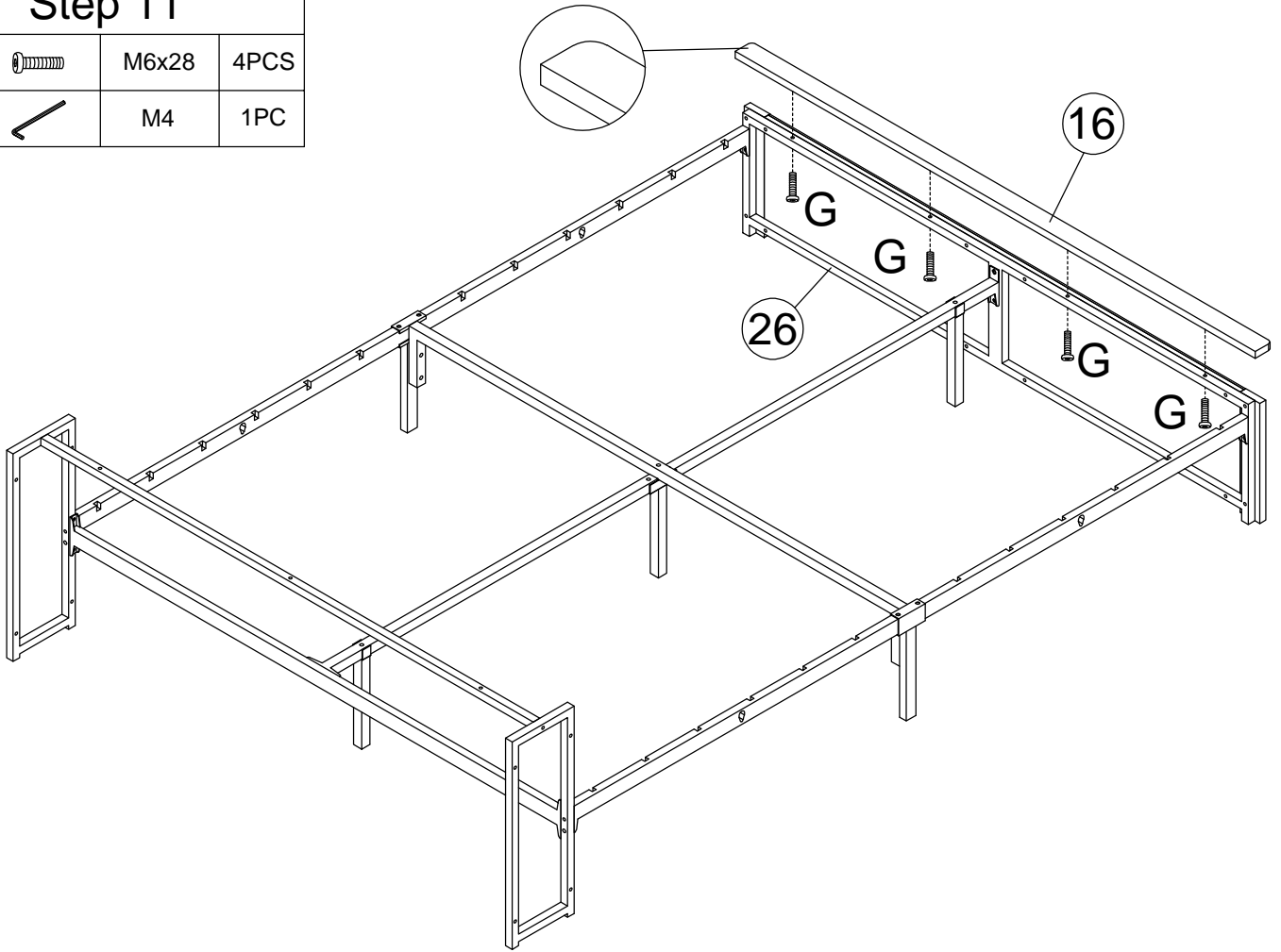
G		M6x28	12PCS
---	---	-------	-------

S		M4	1PC
---	---	----	-----

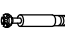



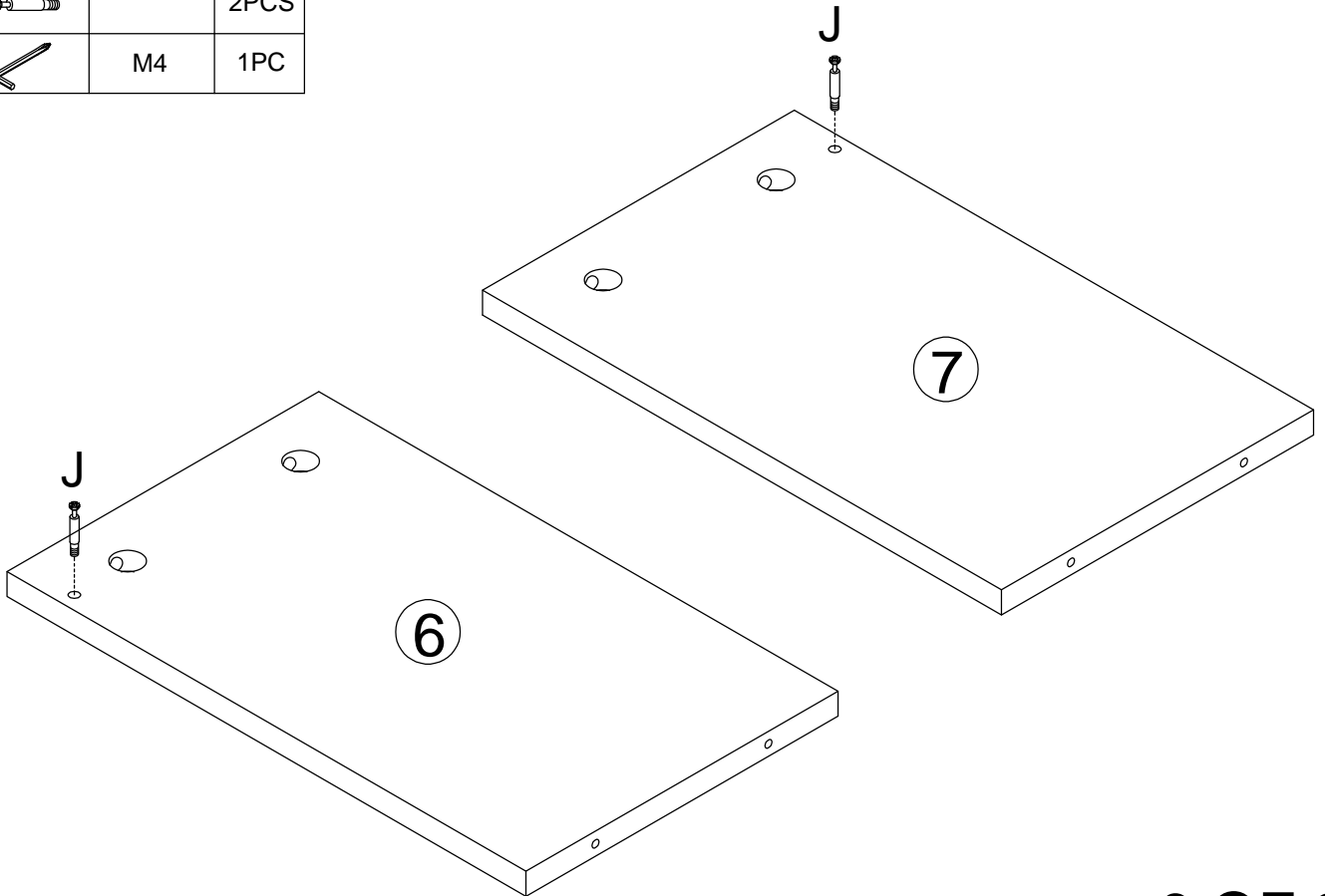
Step 11

G		M6x28	4PCS
S		M4	1PC





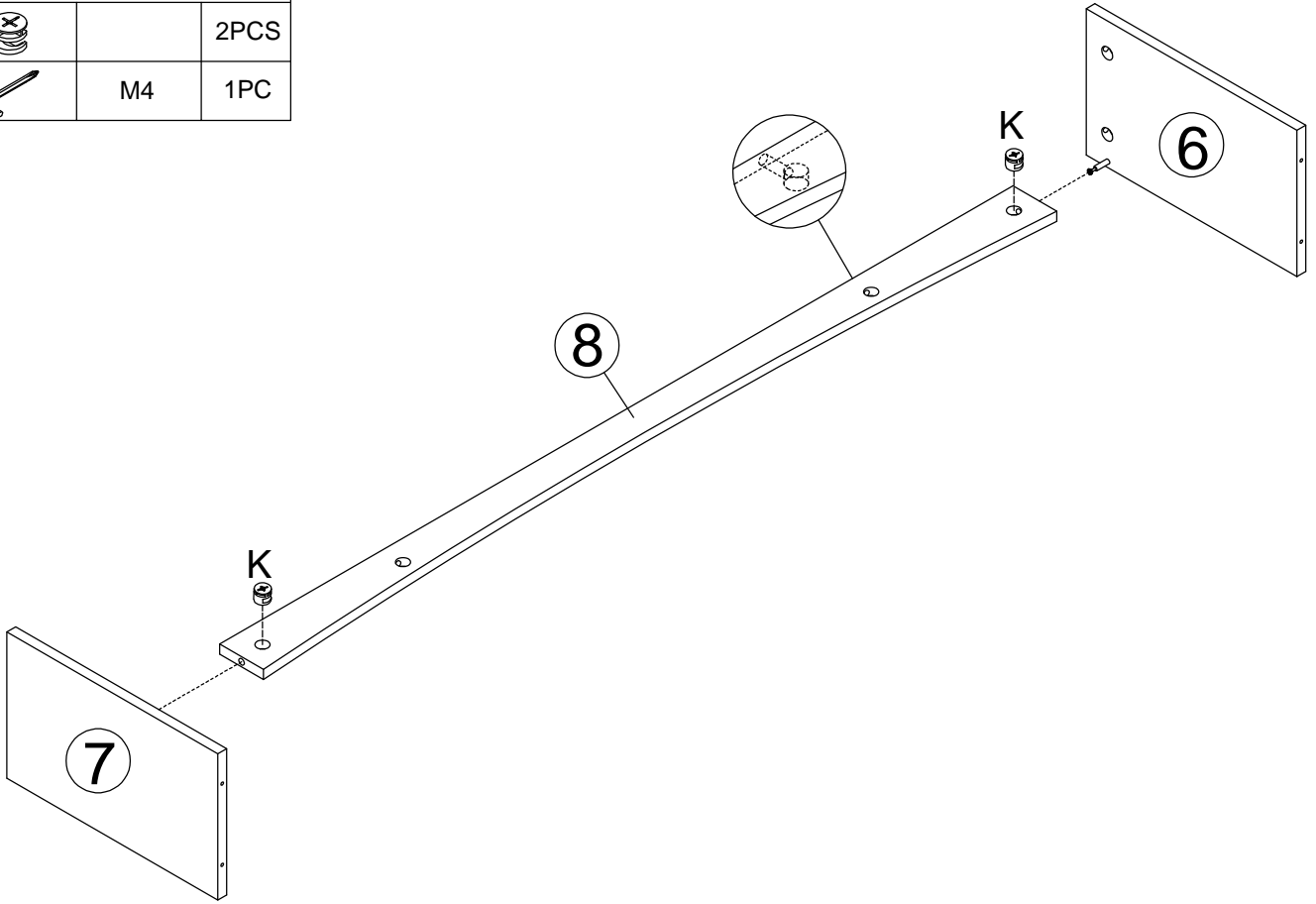
Step 12

J			2PCS
V		M4	1PC

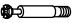



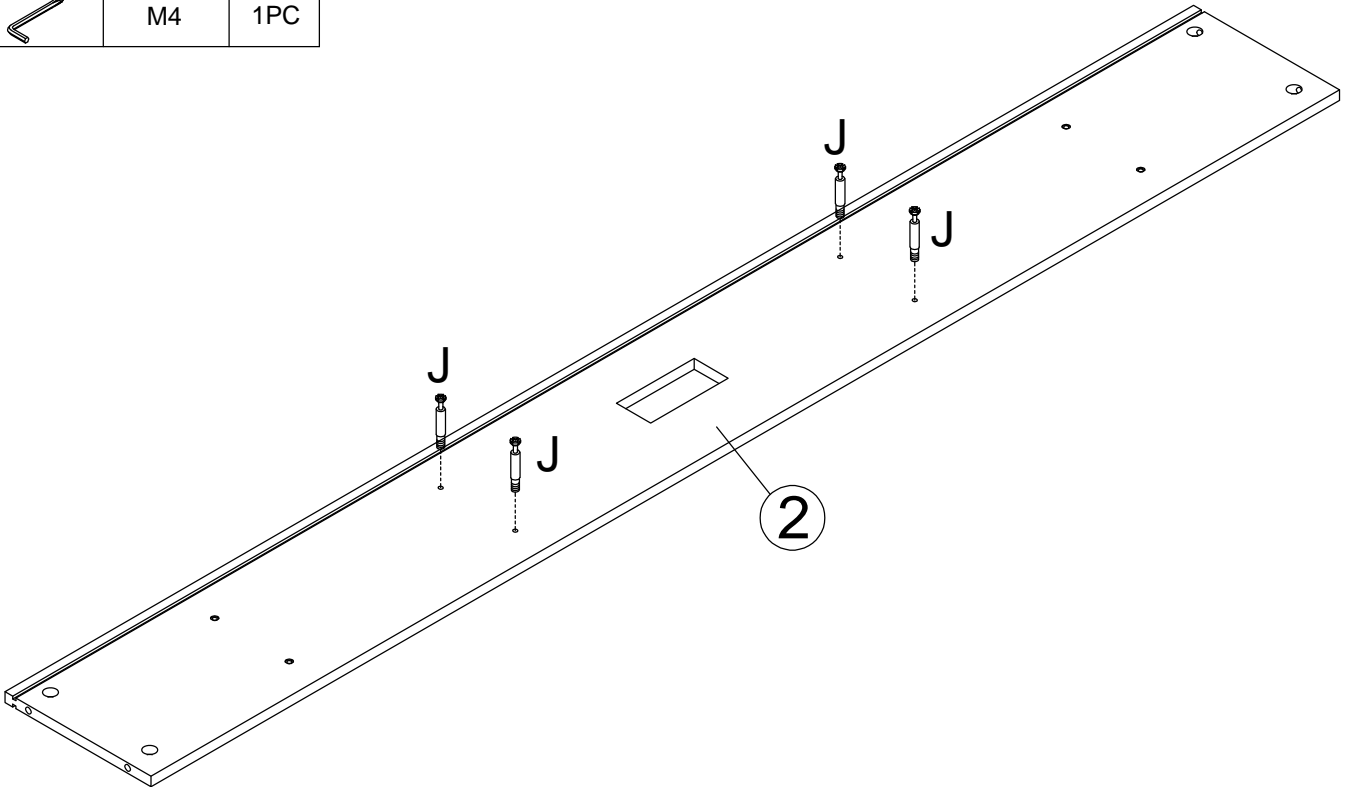
Step 13

K			2PCS
V		M4	1PC





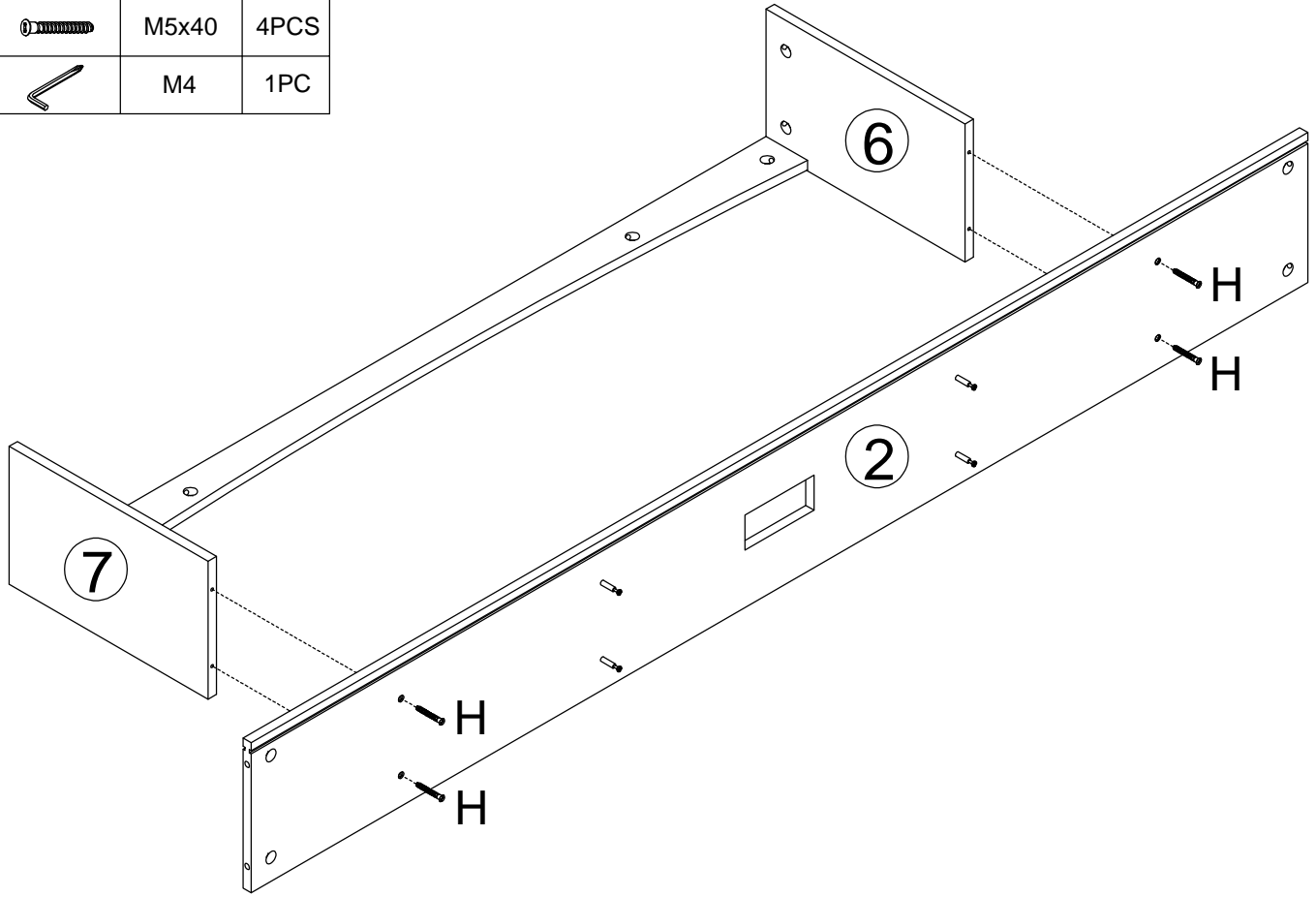
Step 14

J			4PCS
V		M4	1PC





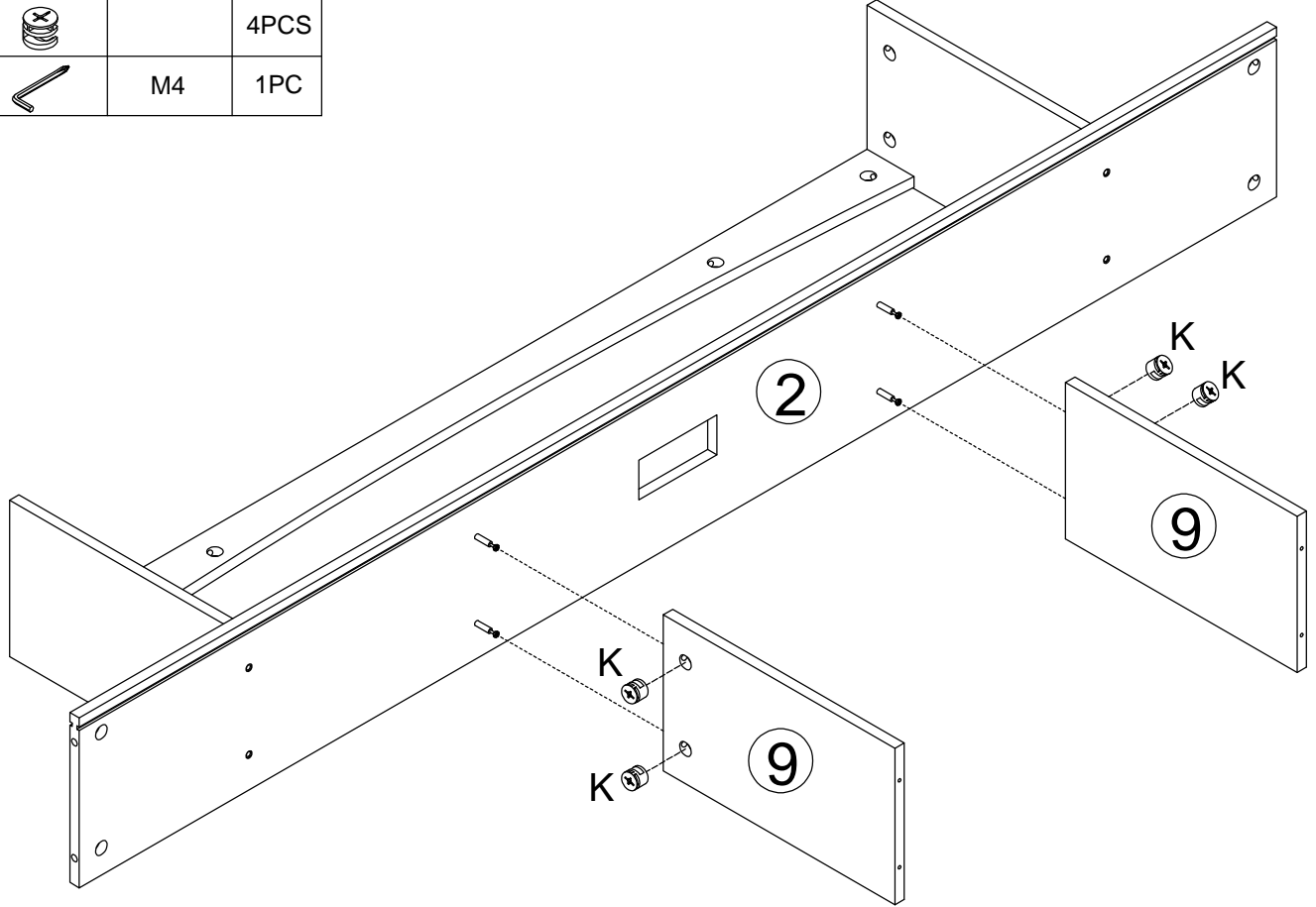
Step 15

H		M5x40	4PCS
V		M4	1PC





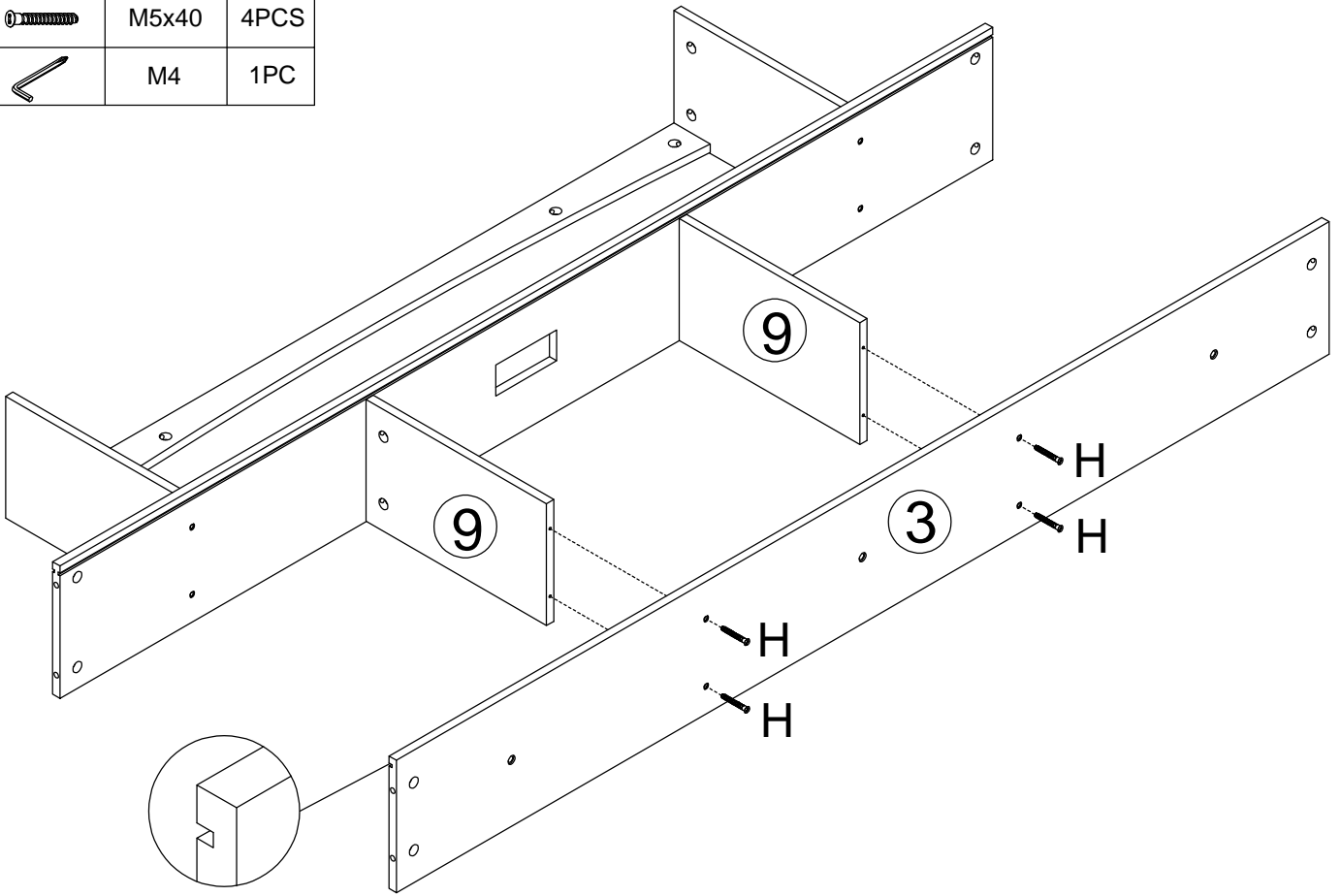
Step 16

K			4PCS
V		M4	1PC

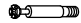



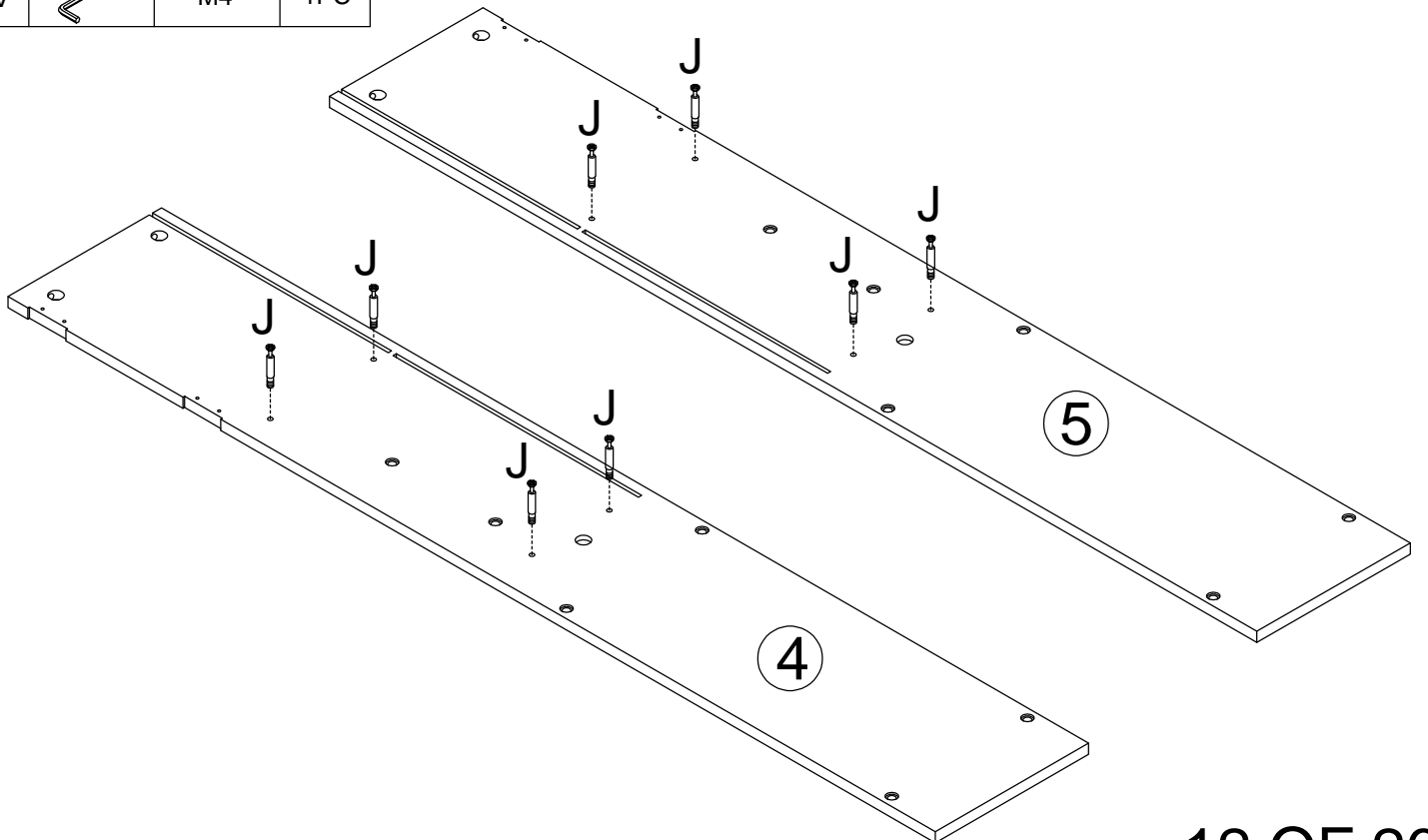
Step 17

H		M5x40	4PCS
V		M4	1PC





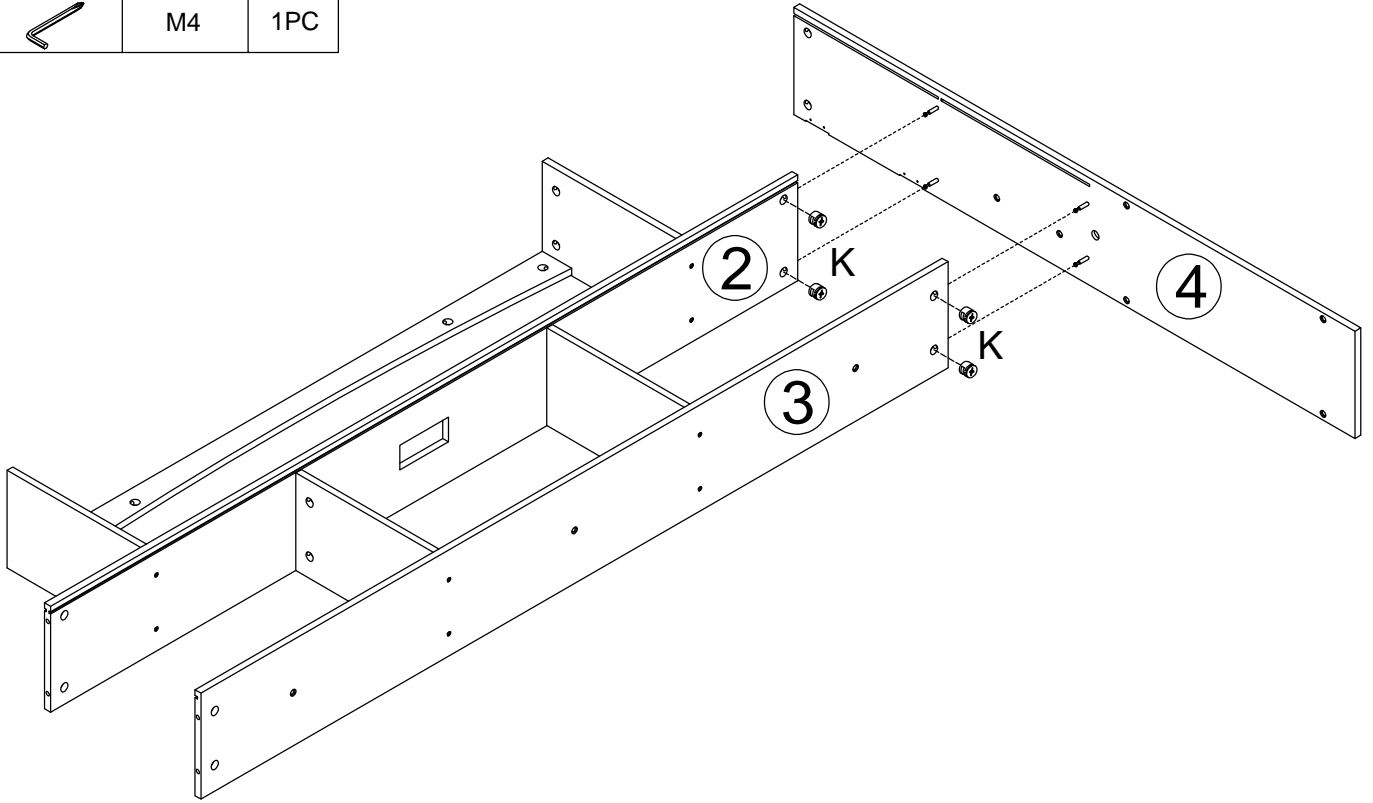
Step 18

J			8PCS
V		M4	1PC





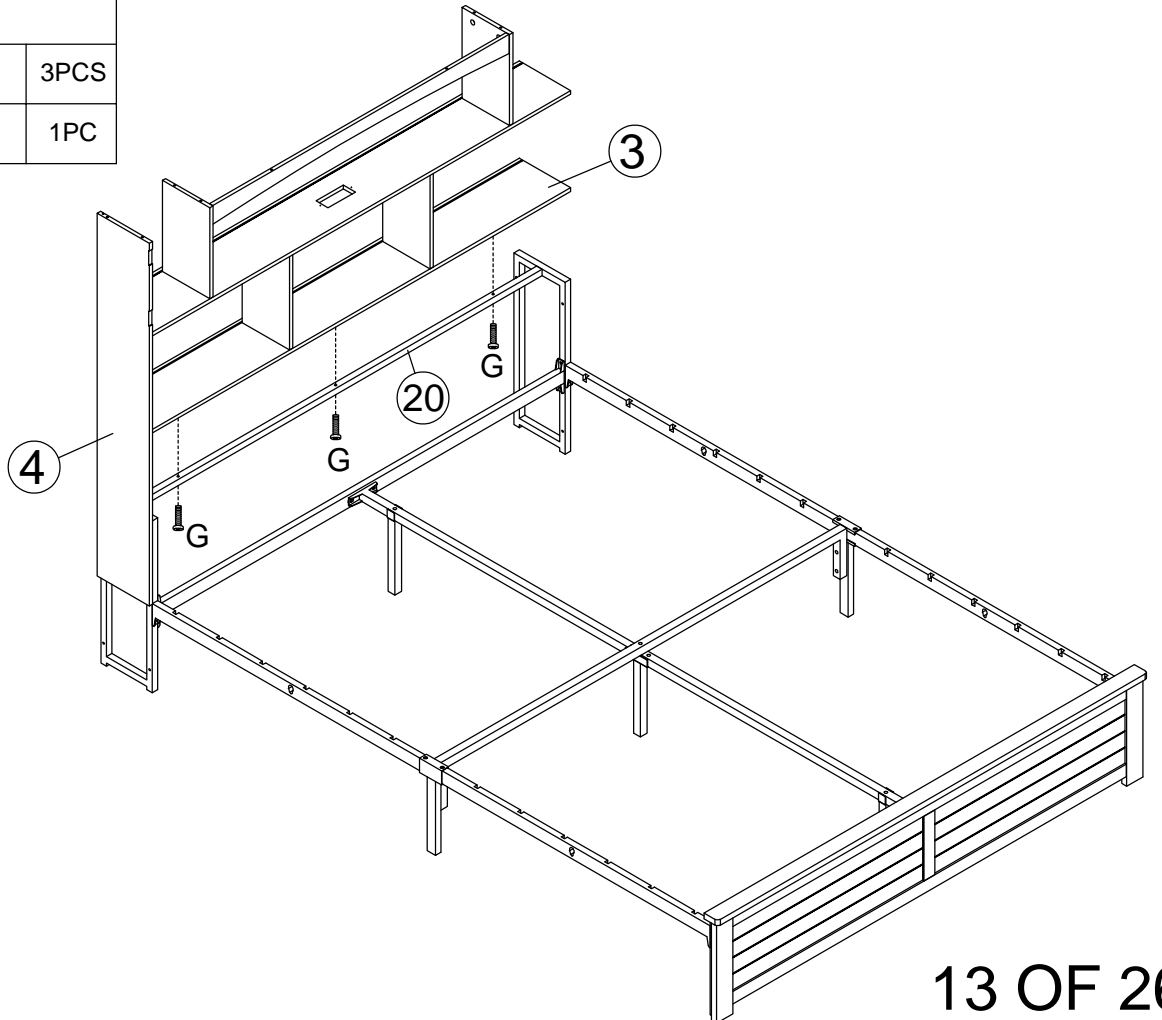
Step 19

K			4PCS
V		M4	1PC

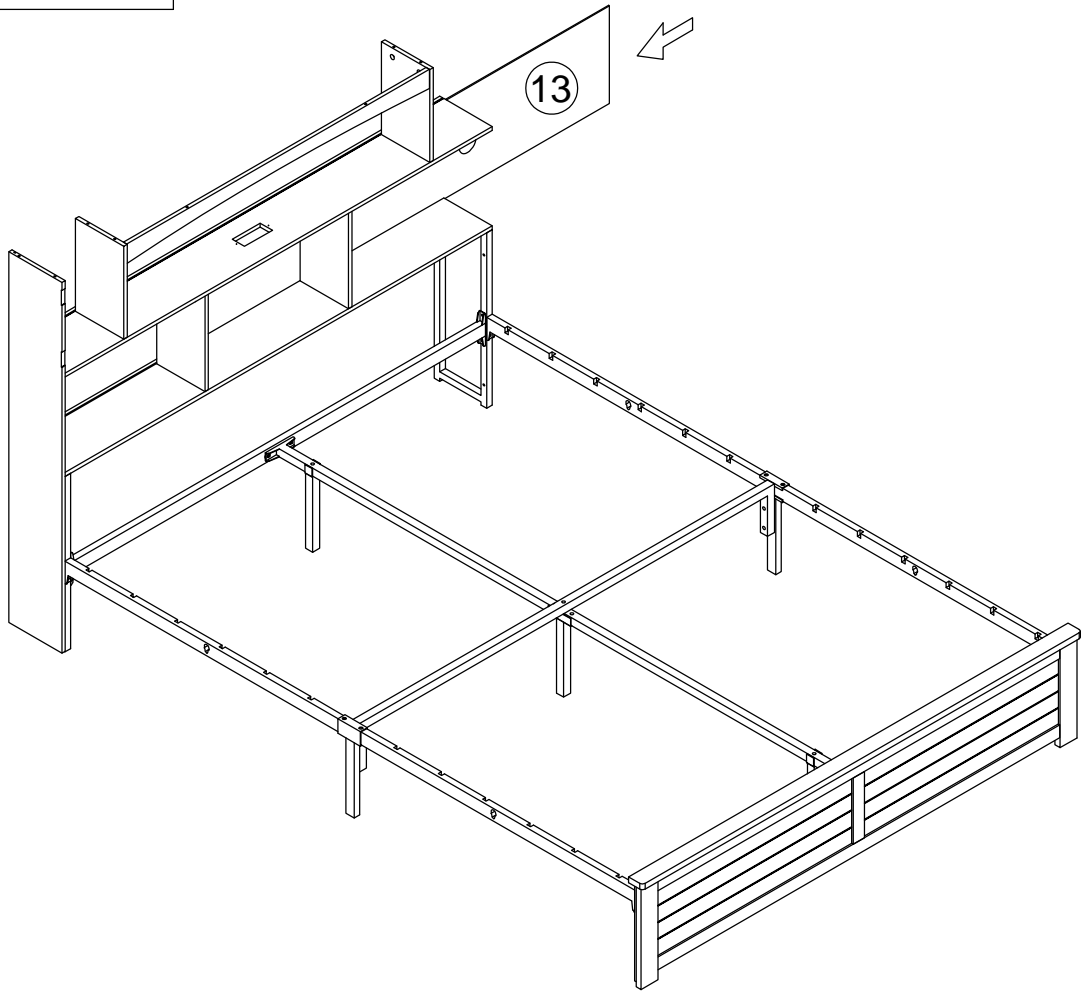


Step 20



G		M6x28	3PCS
S		M4	1PC

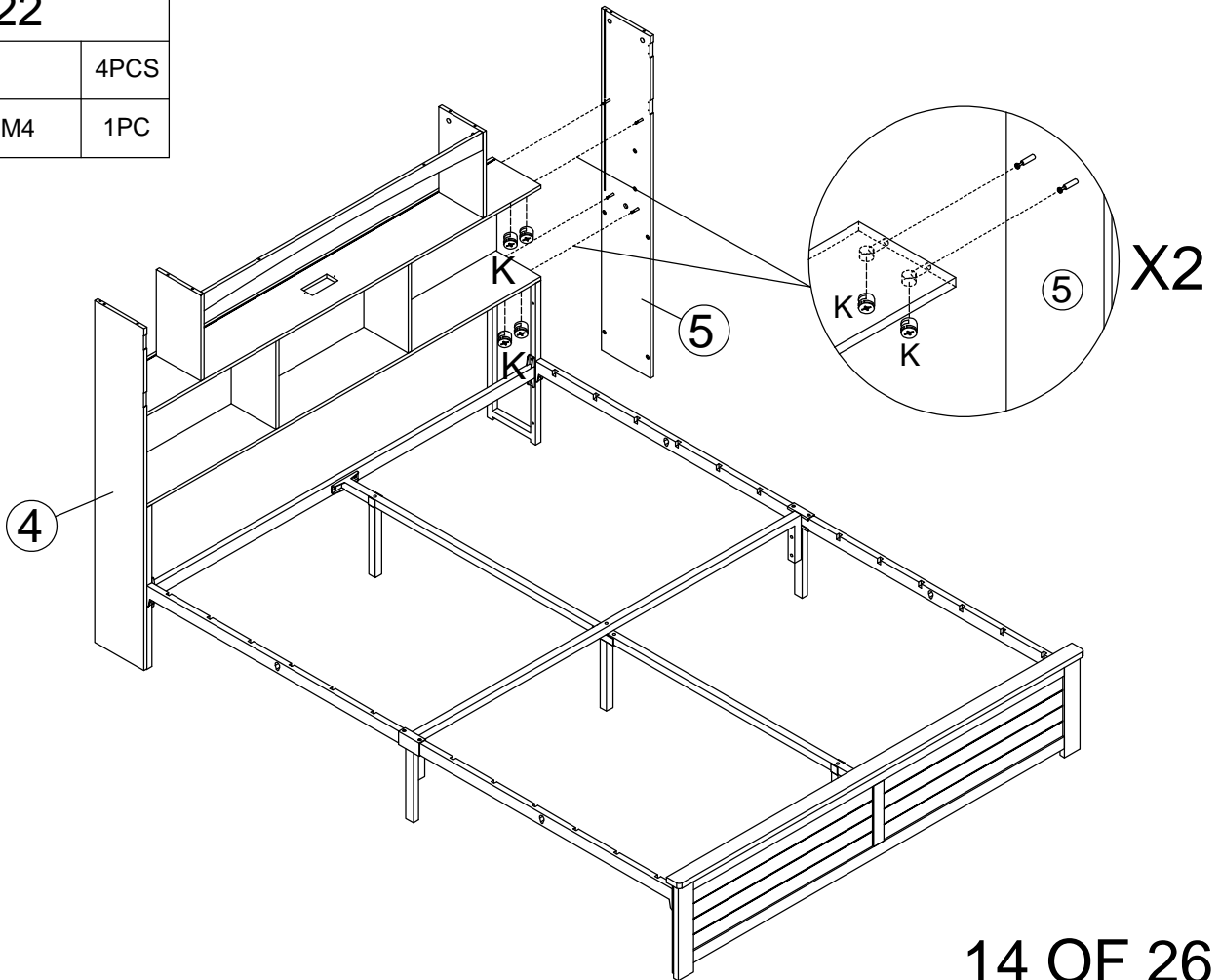


Step 21

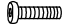



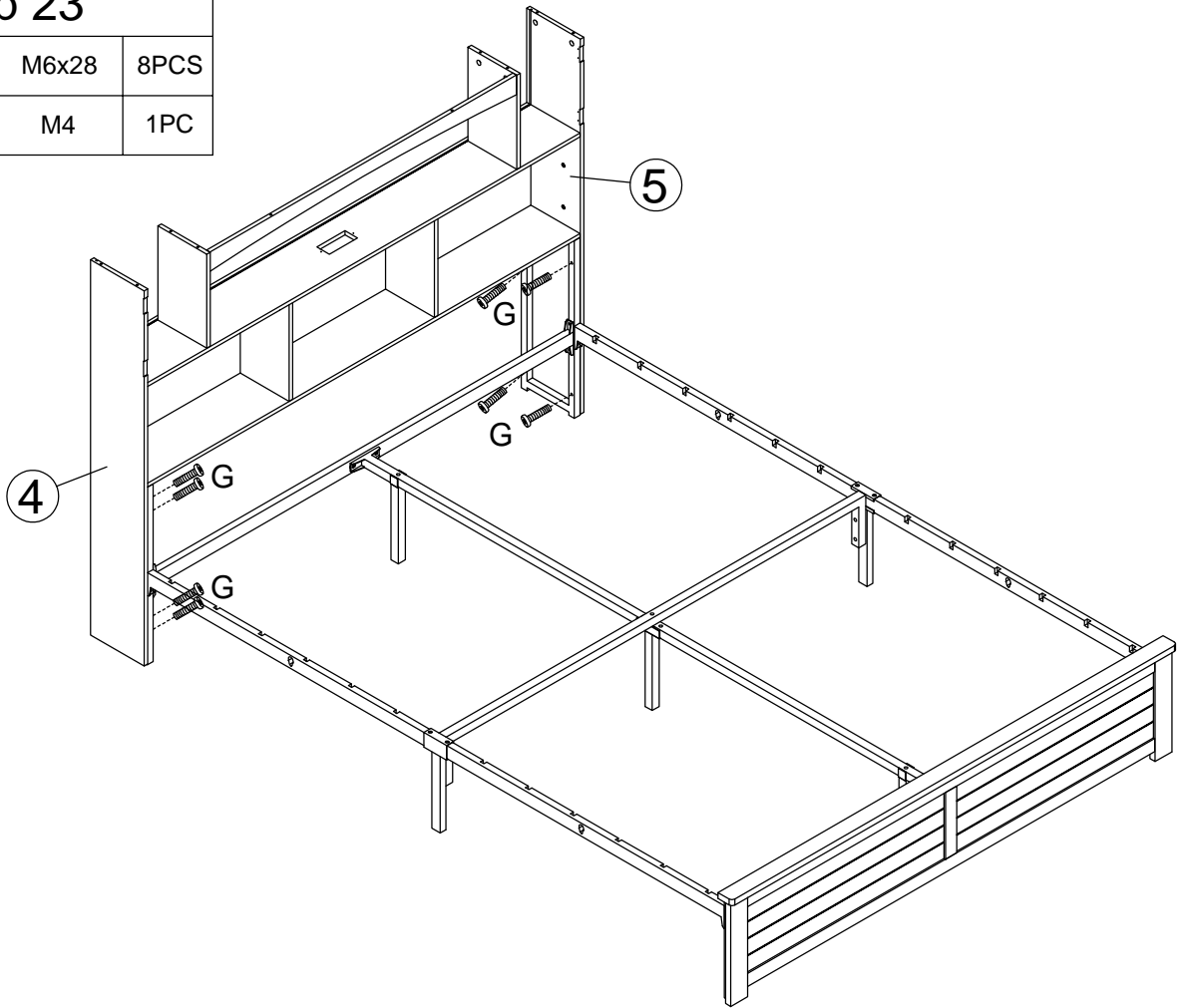
Step 22

K			4PCS
V		M4	1PC





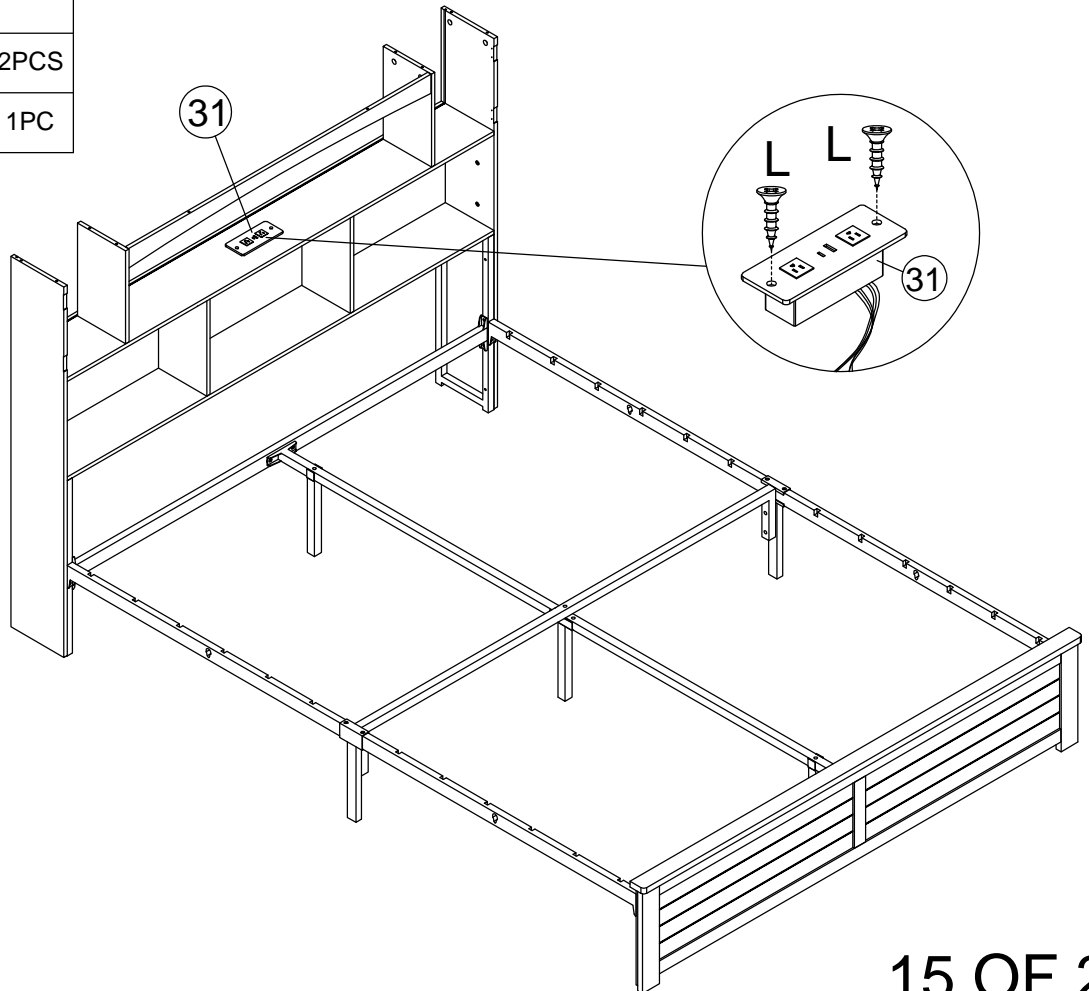
Step 23

G		M6x28	8PCS
S		M4	1PC

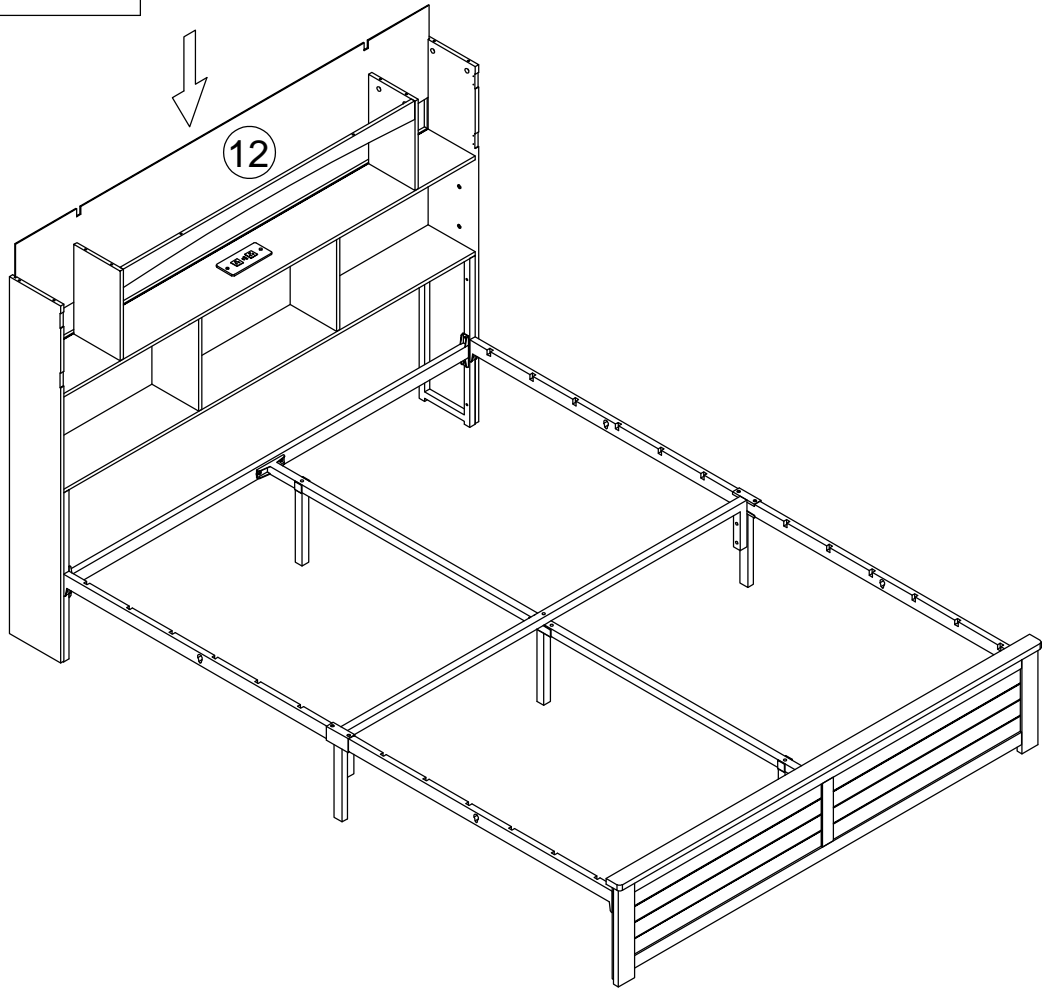


Step 24




L		M3.5x12	2PCS
V		M4	1PC

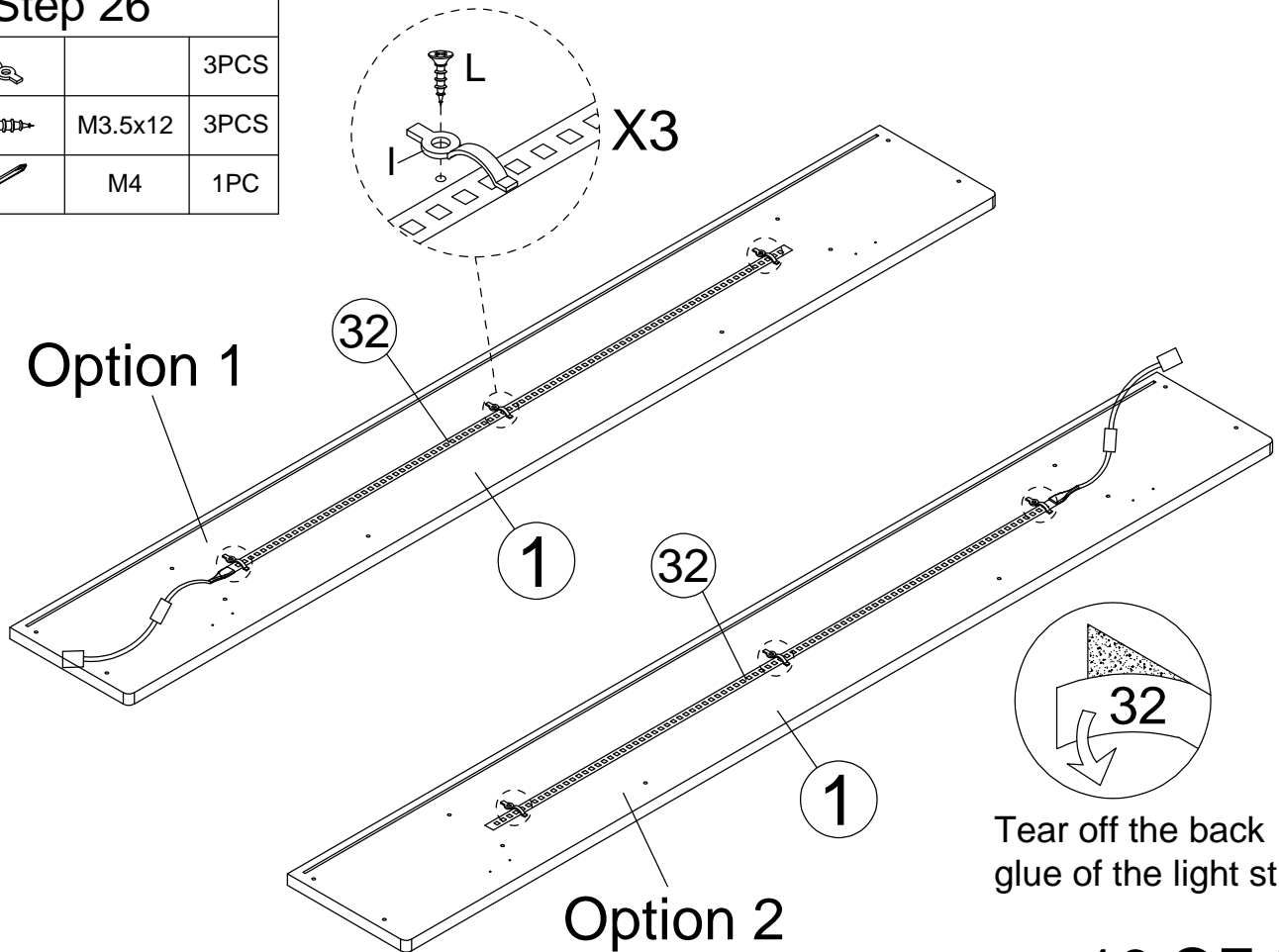


Step 25



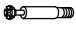
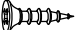


Step 26

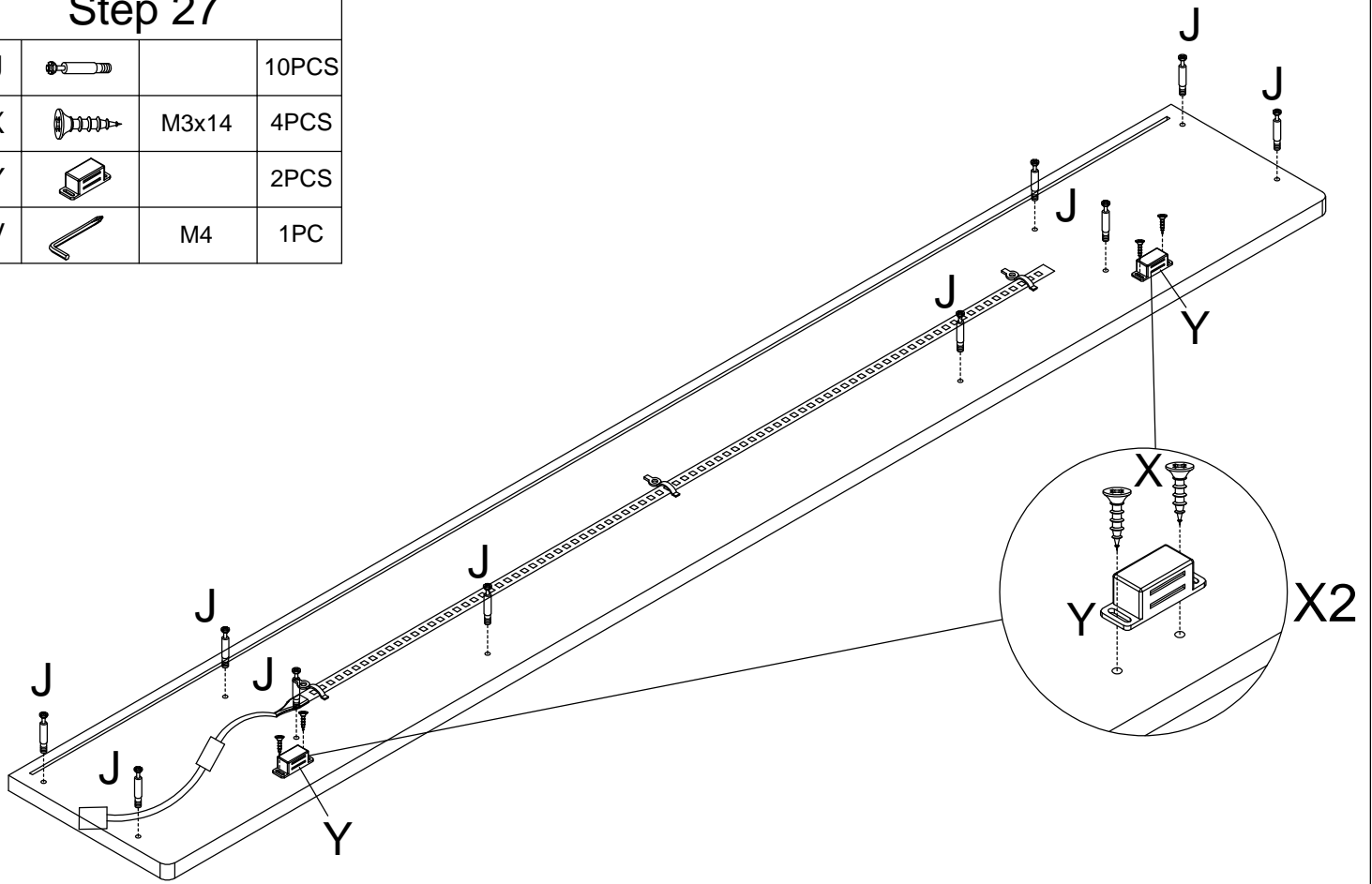
I			3PCS
L		M3.5x12	3PCS
V		M4	1PC





Tear off the back glue of the light strip.

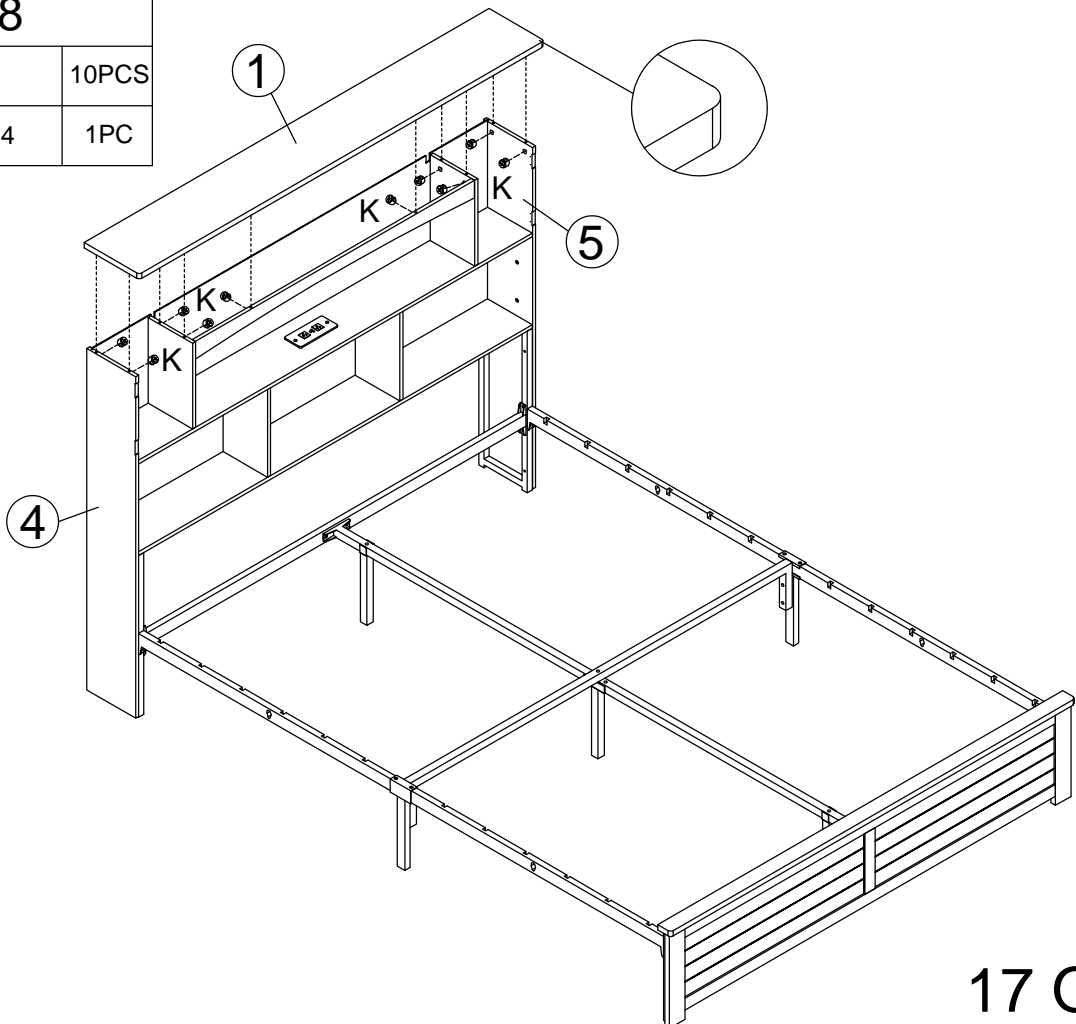
Step 27

J			10PCS
X		M3x14	4PCS
Y			2PCS
V		M4	1PC

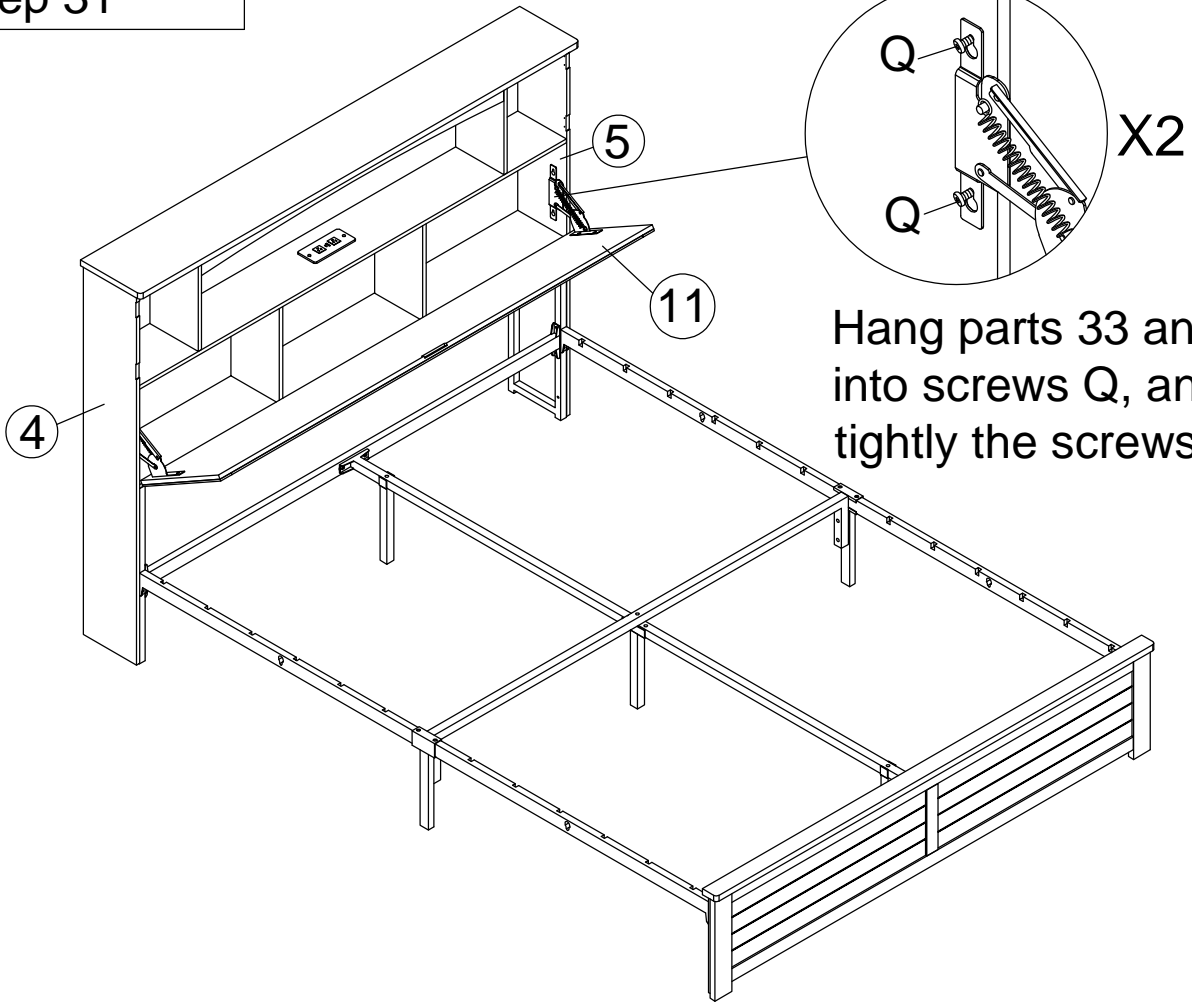


Step 28

K			10PCS
V		M4	1PC








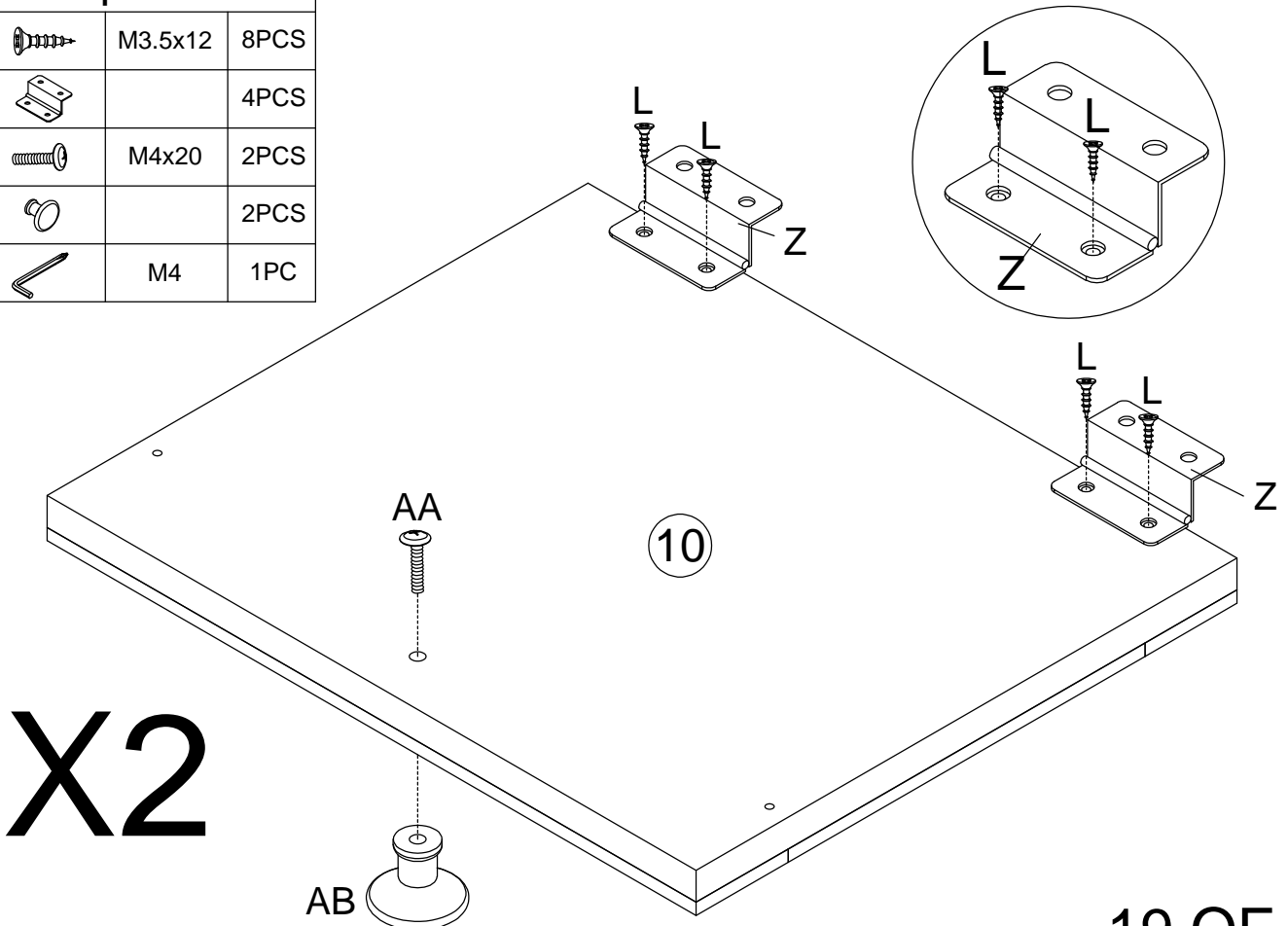
Step 31





Hang parts 33 and 34 into screws Q, and then tightly the screws Q.

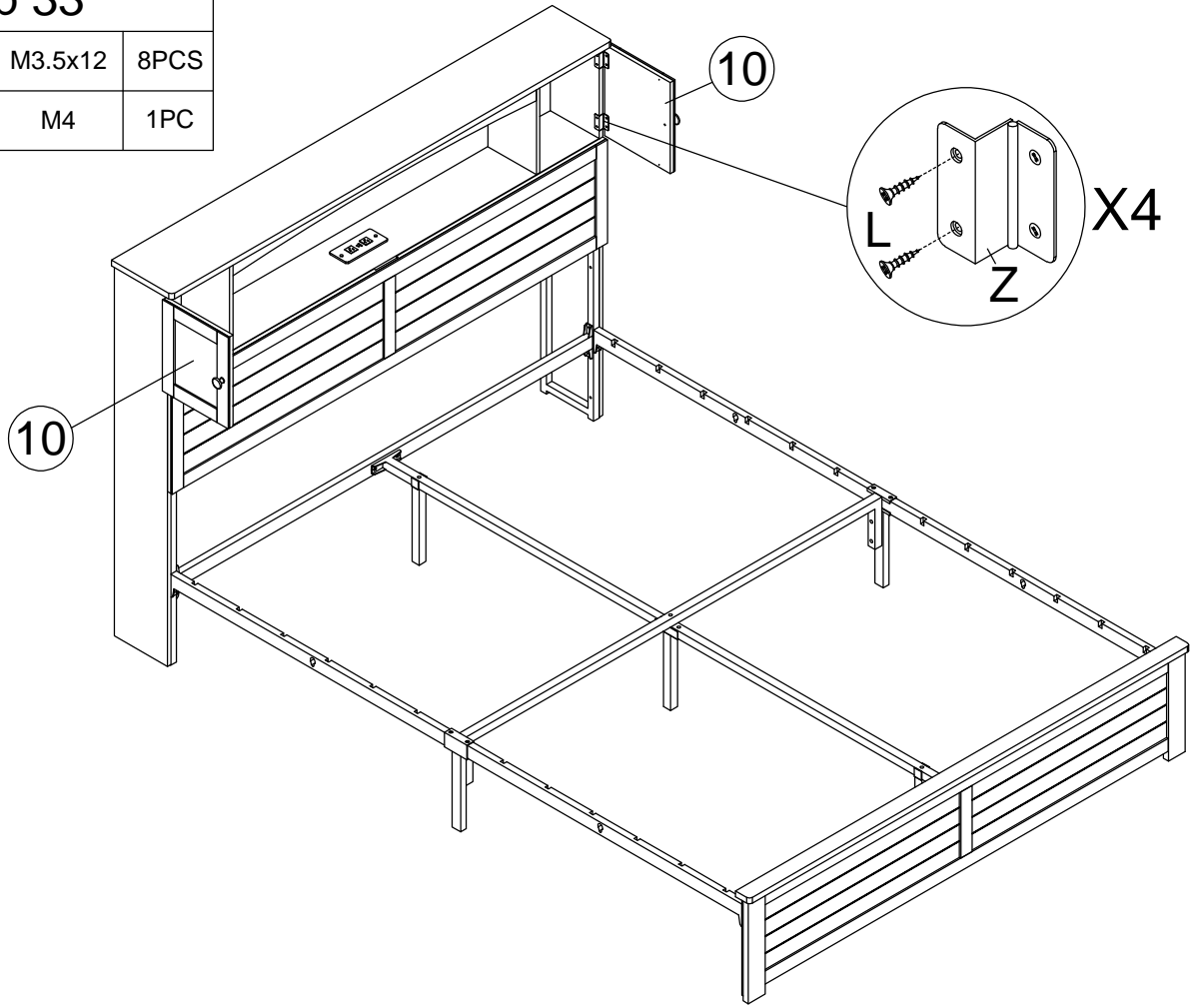
Step 32

L		M3.5x12	8PCS
Z			4PCS
AA		M4x20	2PCS
AB			2PCS
V		M4	1PC






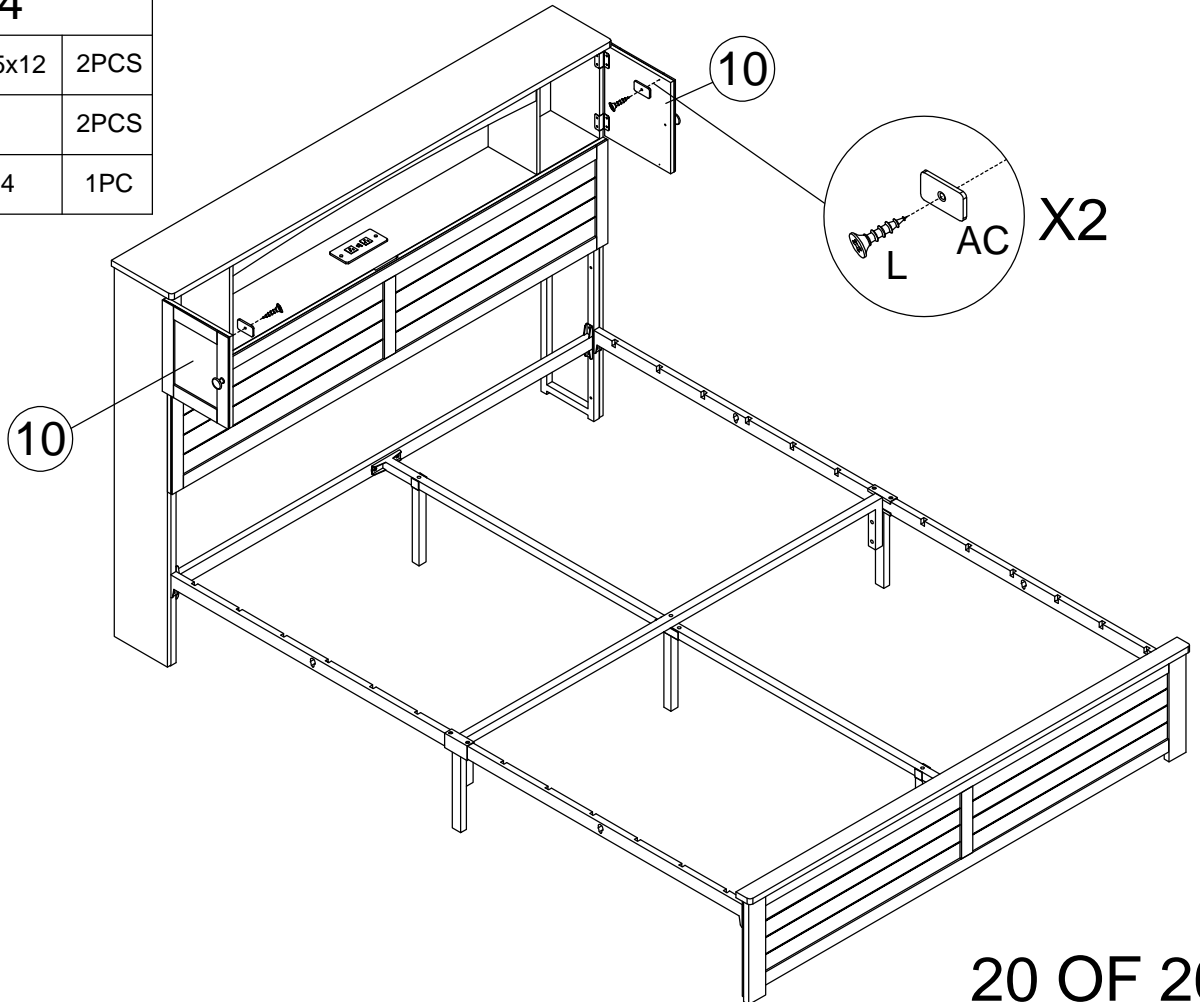
Step 33

L		M3.5x12	8PCS
V		M4	1PC

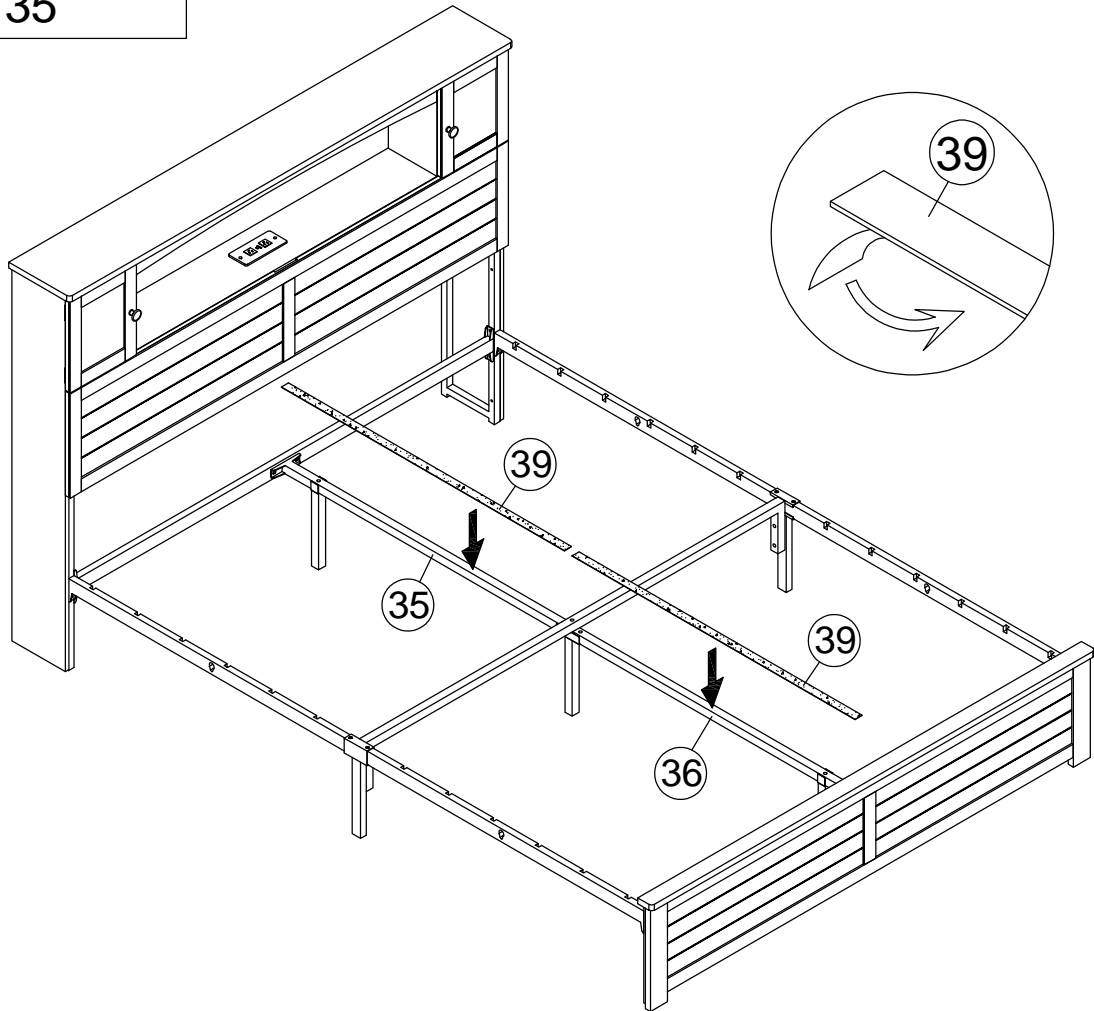


Step 34

L		M3.5x12	2PCS
AC			2PCS
V		M4	1PC



Step 35

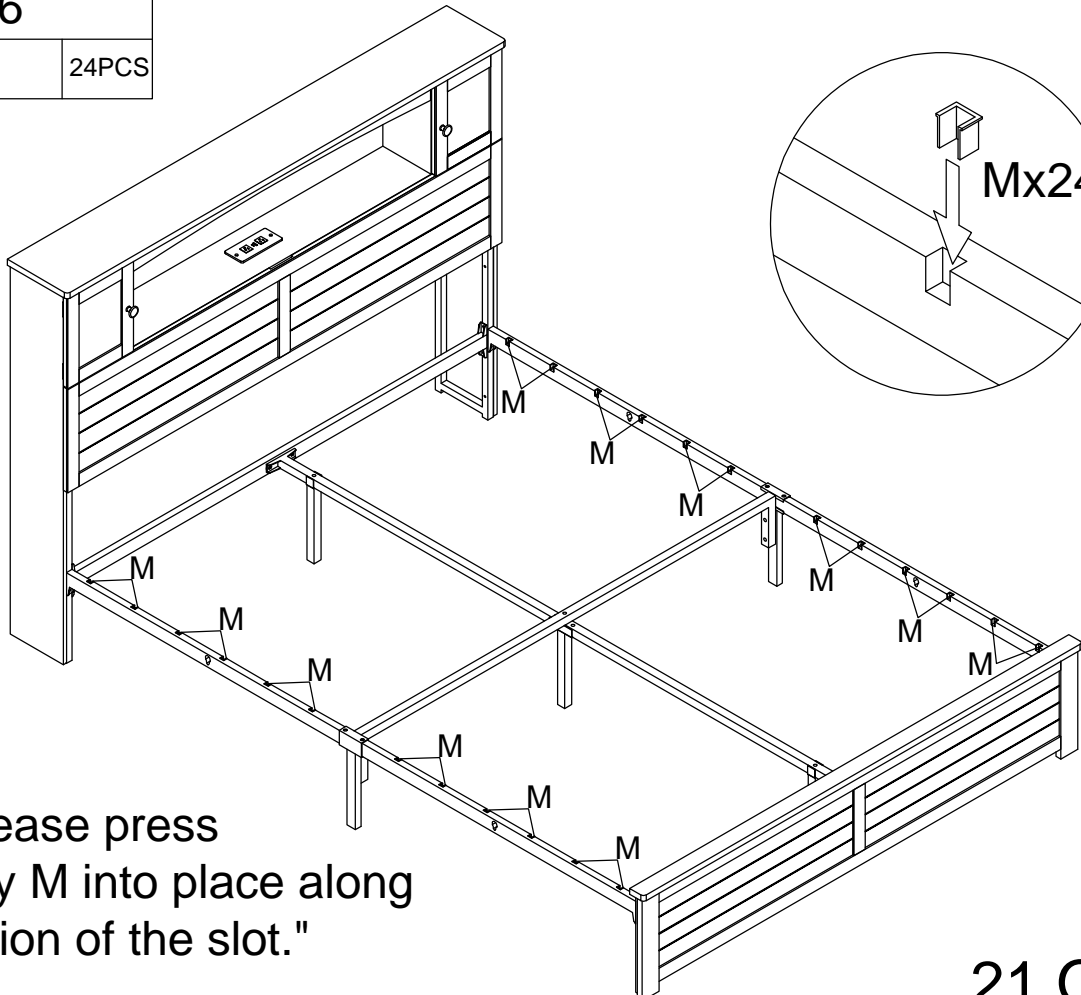


Step 36

M

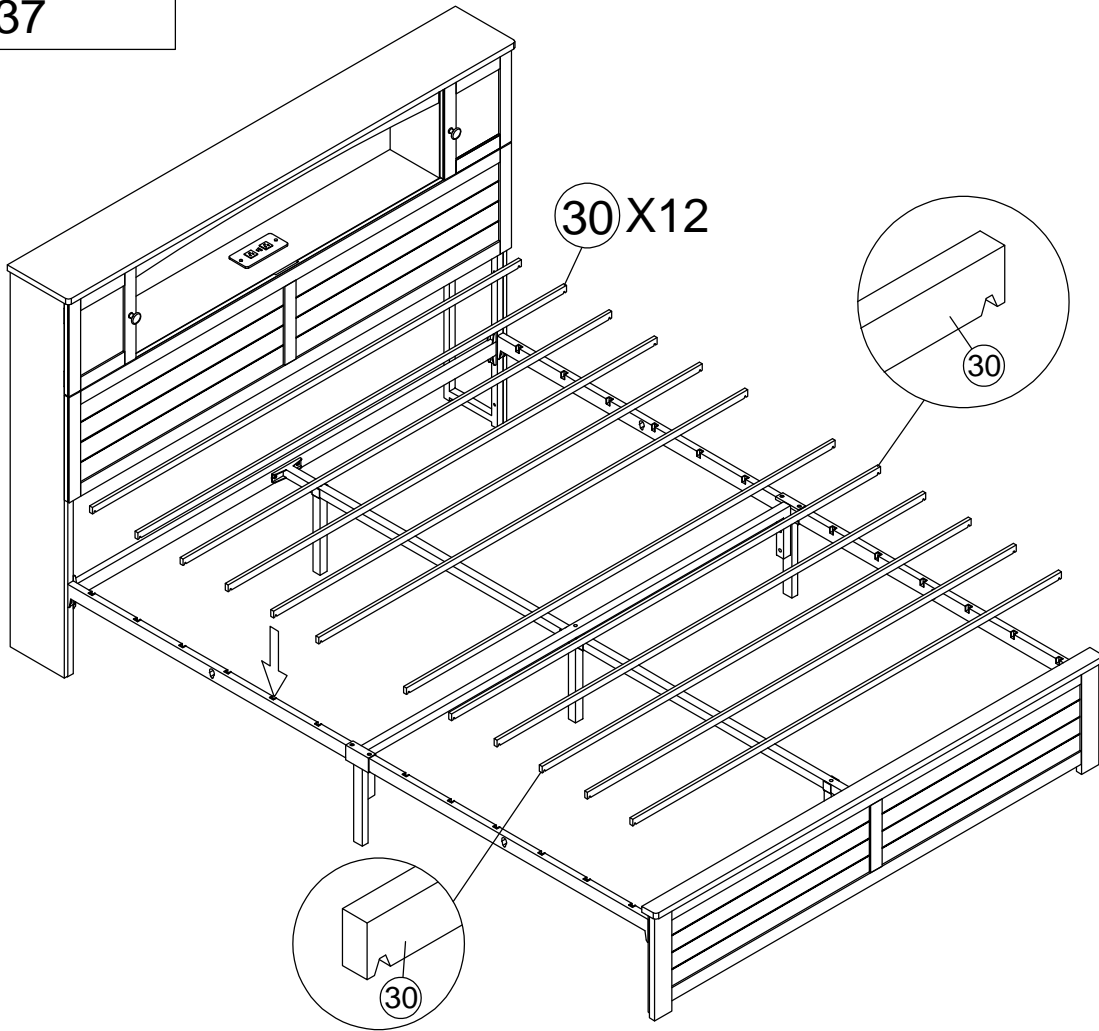


24PCS



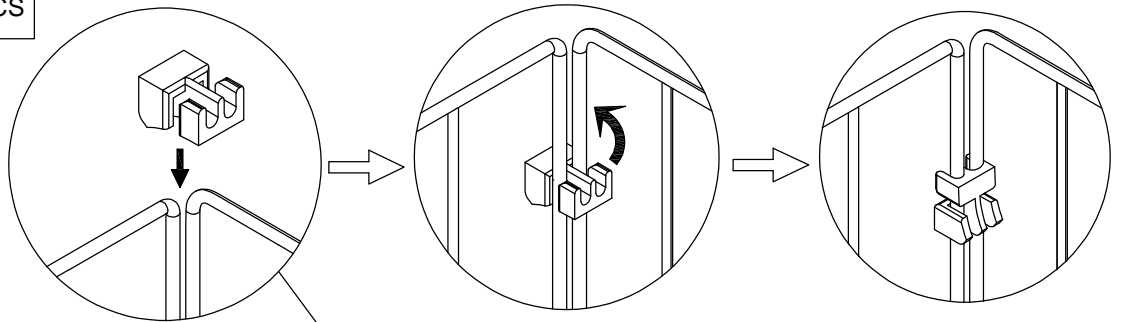
"Note: Please press accessory M into place along the direction of the slot."

Step 37

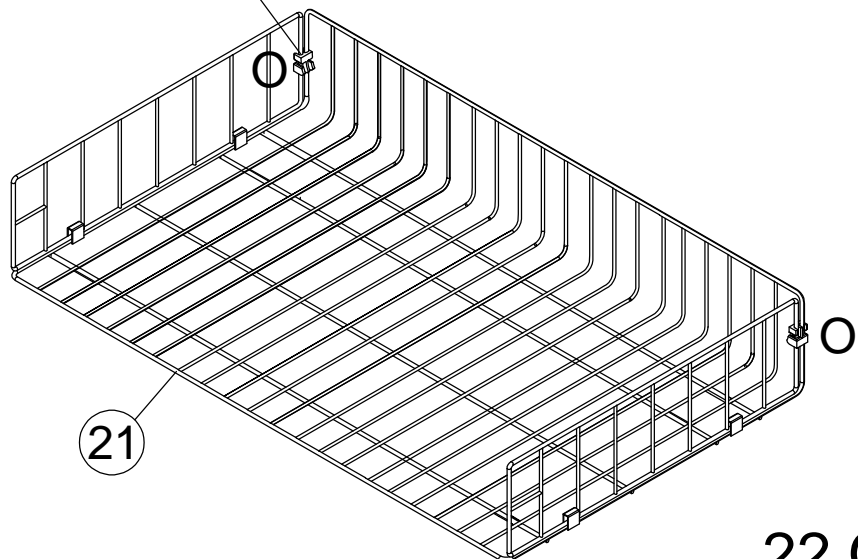


Step 38

O  8PCS



X4



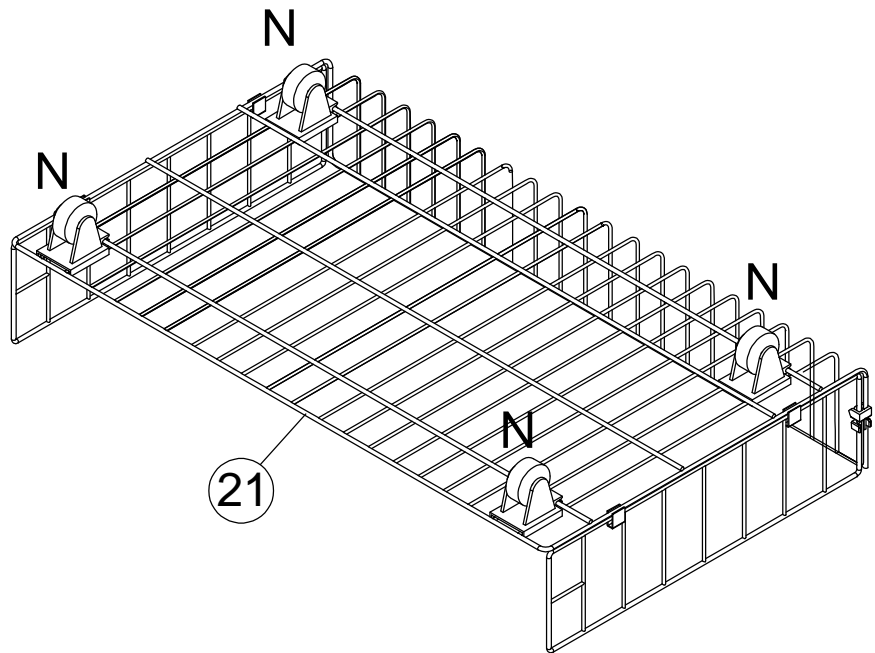
Step 39

N

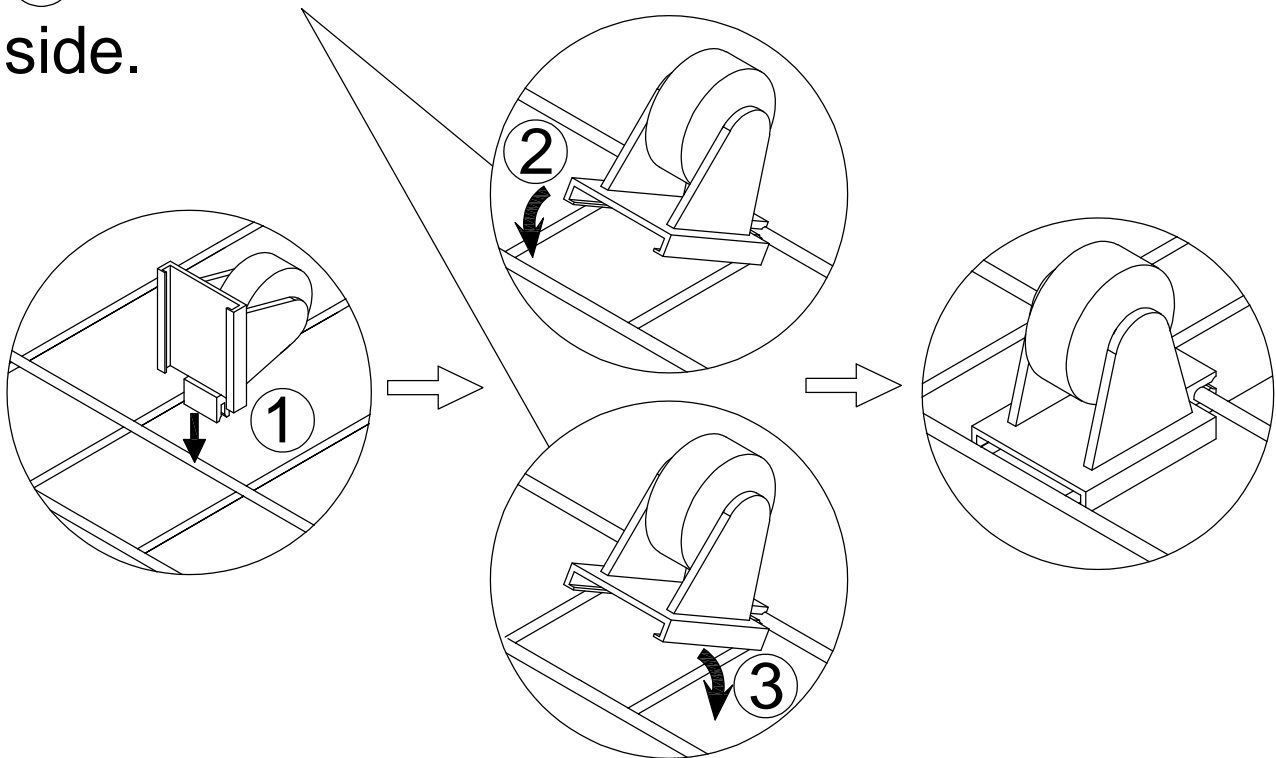


16PCS





X4

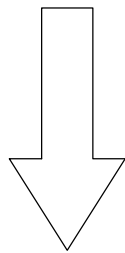
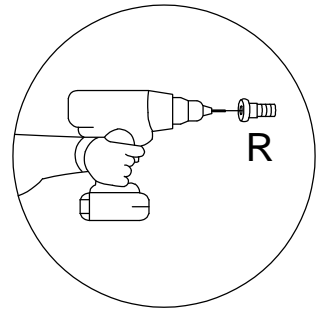
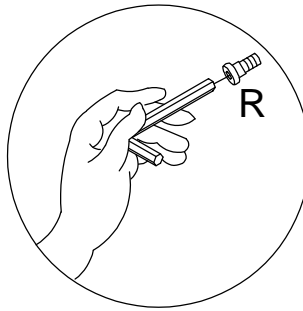
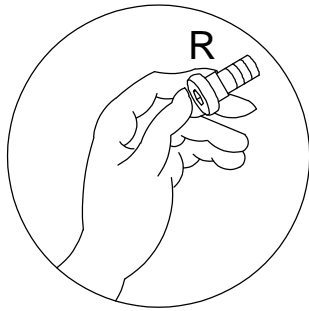
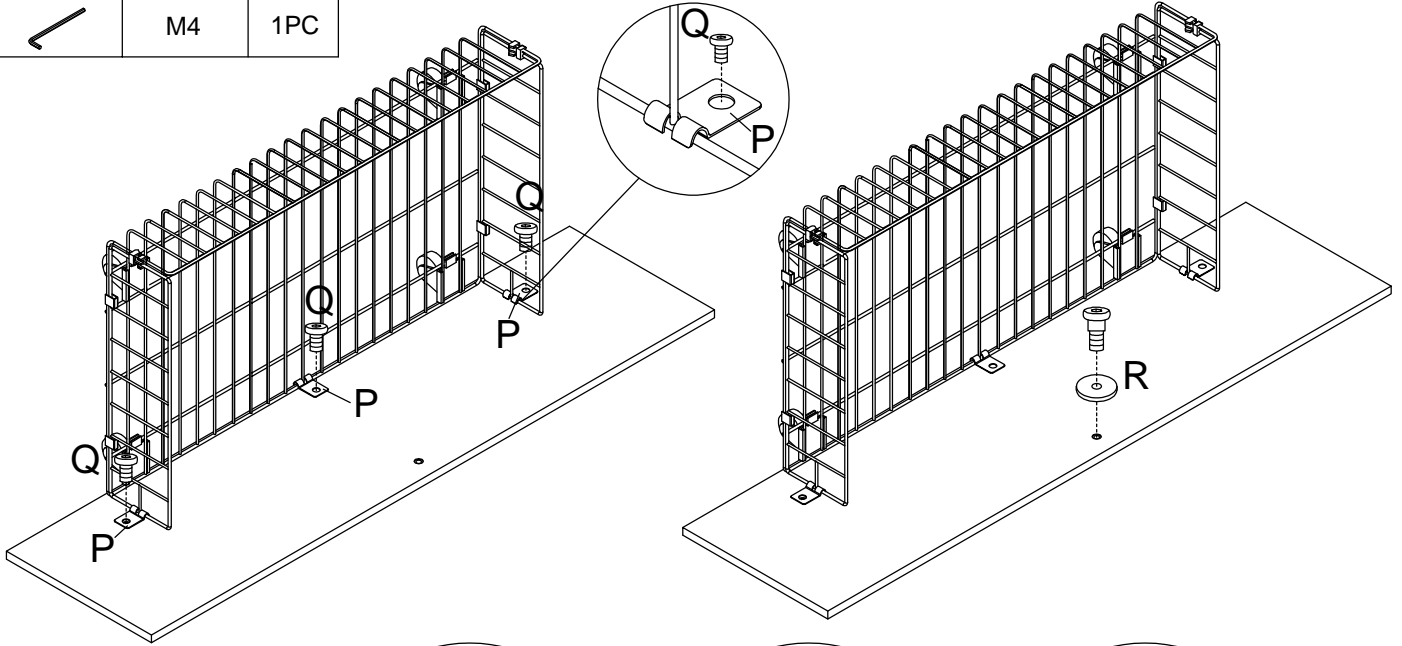


Attention: ② make sure plastic slot stuck into one side of the tube firstly, and ③ then to stuck into another side.

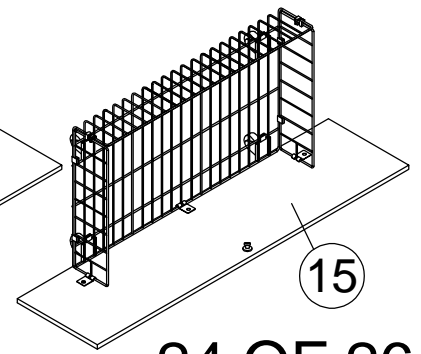
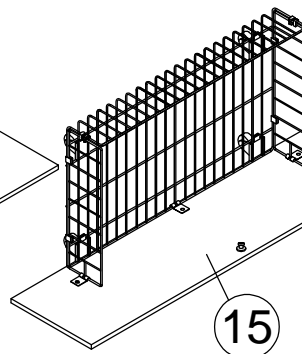
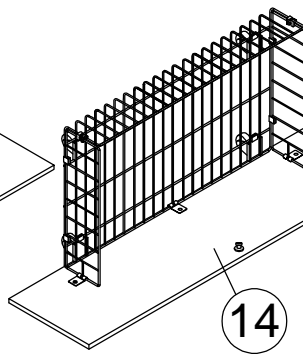
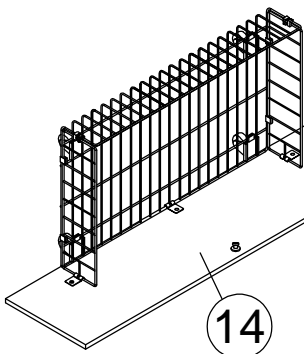


Step 40

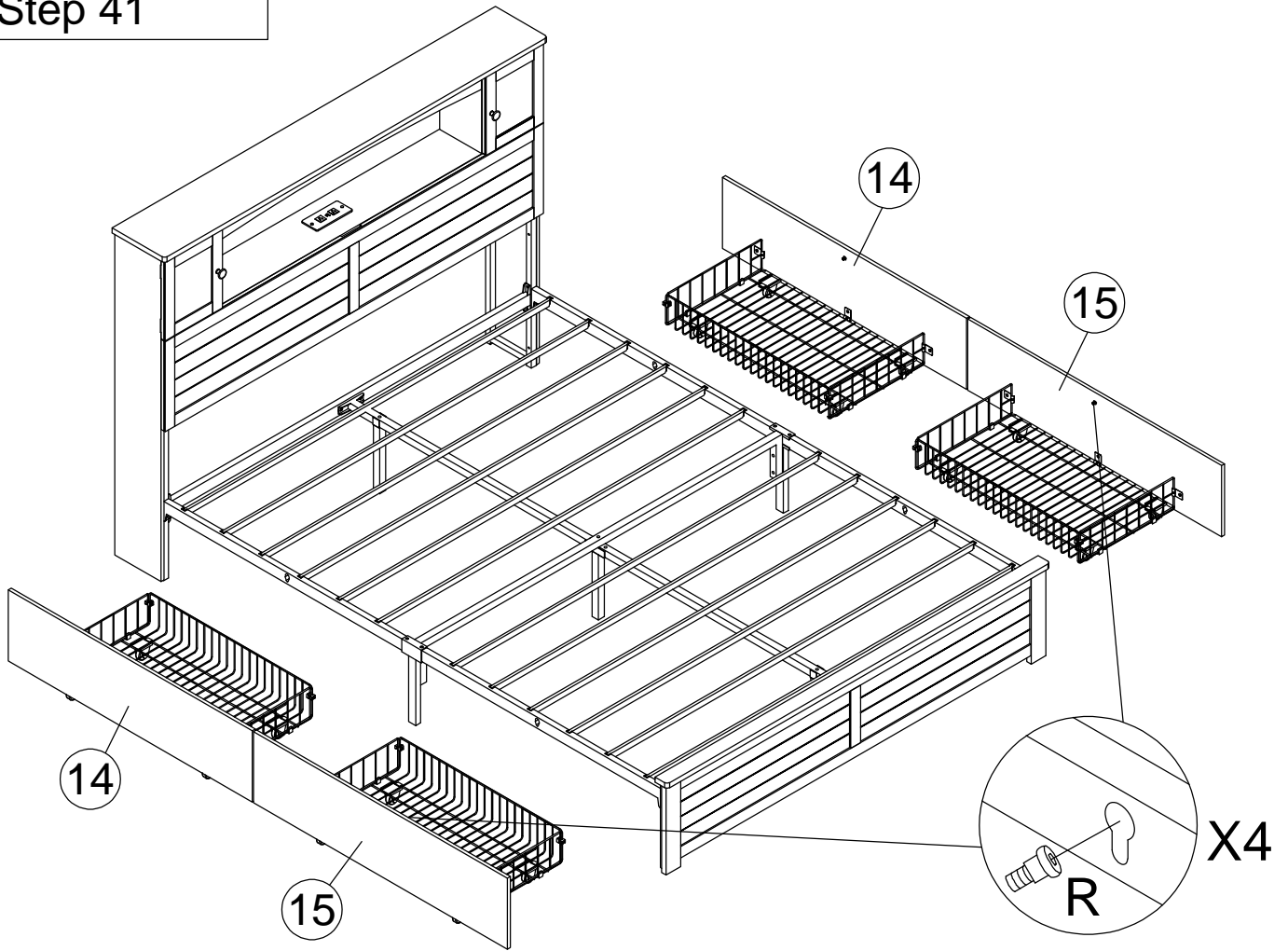
Q		M6x10	12PCS
P			12PCS
R			4PCS
S		M4	1PC



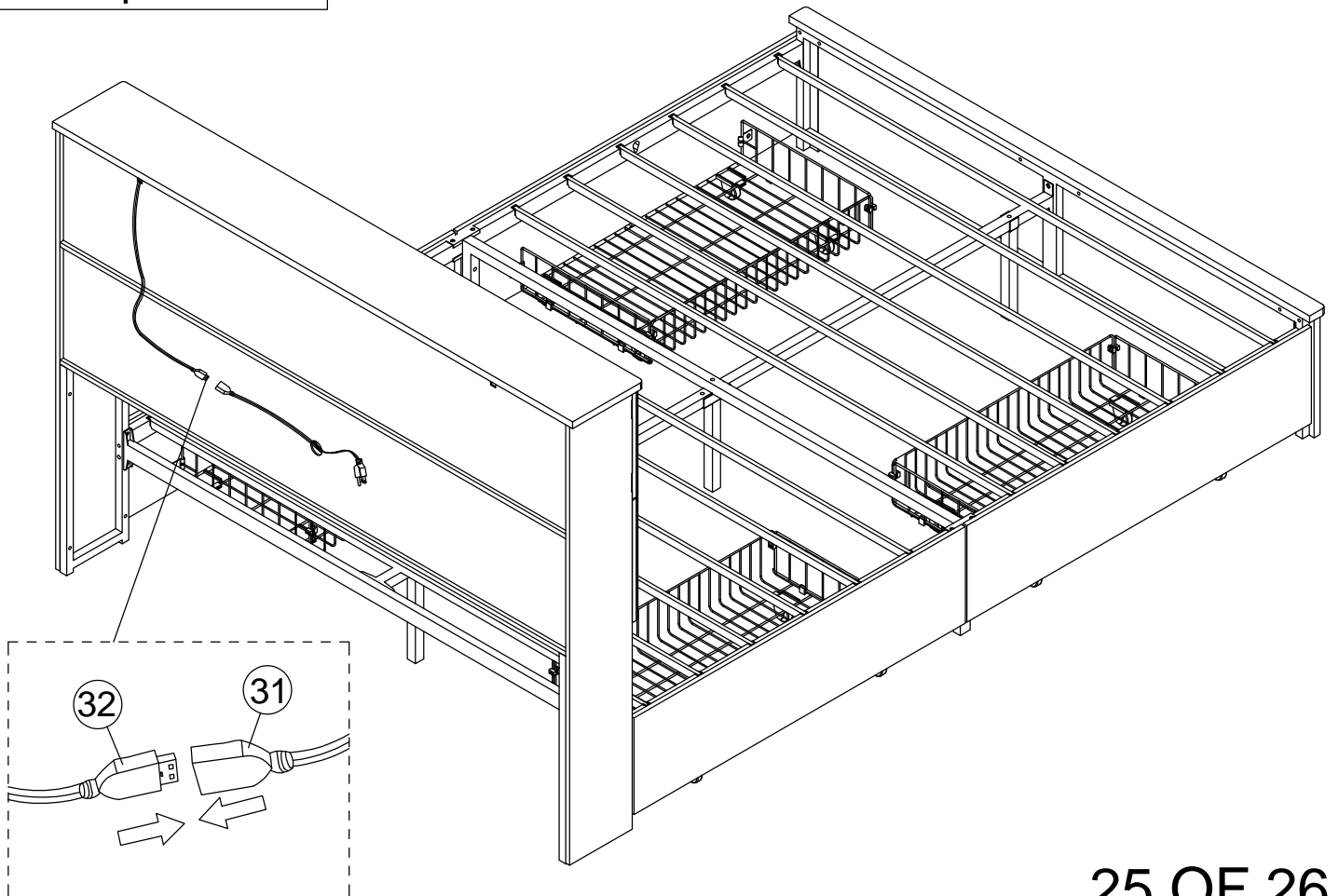
Note: Please don't fully tighten R screws to the board.



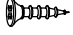


Step 41

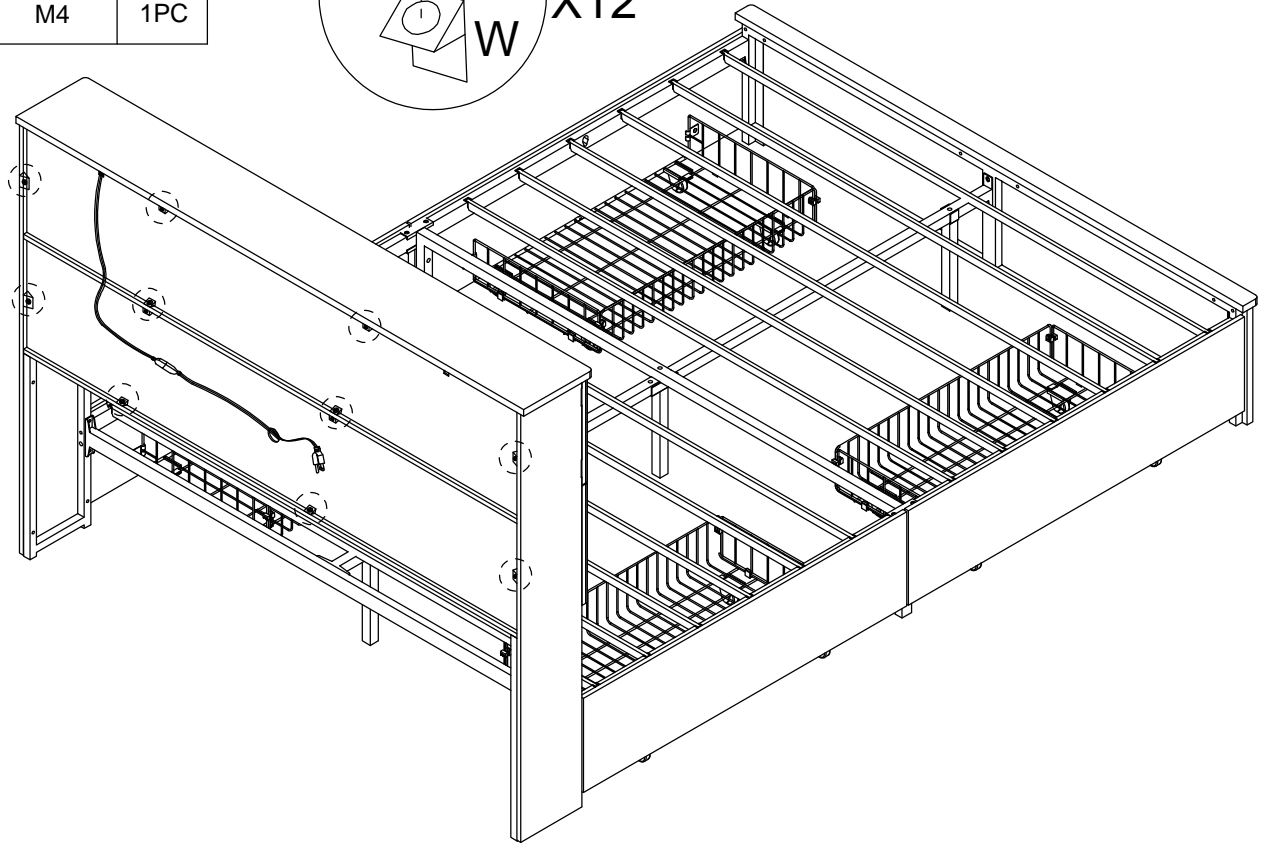
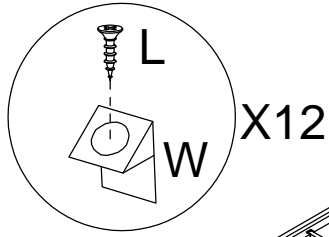


Step 42



Step 43

L		M3.5X12	12PCS
W			12PCS
V		M4	1PC



Step 44

