

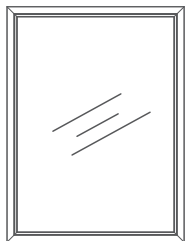
METAL FRAME
MIRROR

METAL FRAME MIRROR

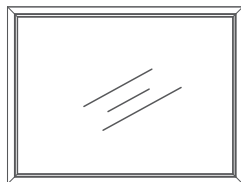
Installation Instructions

PRODUCT INTRODUCTION

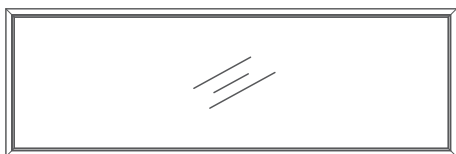
● Mirror without Light



Vertically



Horizontally



Horizontally

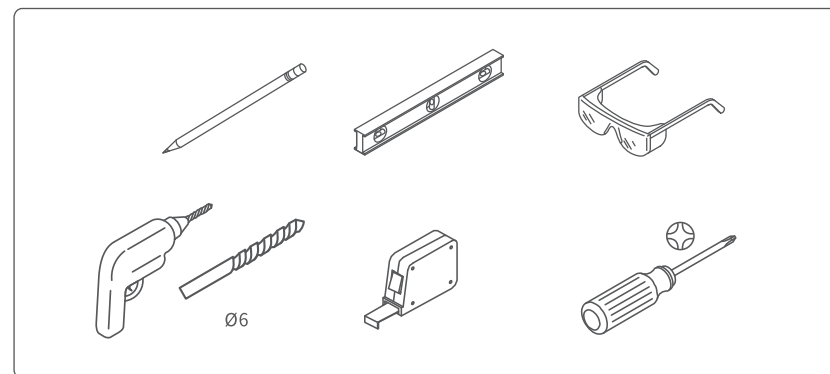
Before Installation

I. Important Safety Instructions:

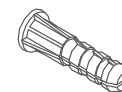
- Please read the instructions carefully and familiarize yourself with the tools required, accessories, and installation steps, in order to ensure the best possible installation experience.
- All information in this document is based on the latest product available at the time of publication. The company reserves the right to change the product, packaging, or availability at any time with or without notice.
- Before installation, please inspect the product immediately upon receipt for any transit damage or missing parts.
- Assembly by two or more adults is highly recommended.
- Ensure that the fixing location is able to support the weight of the entire fixture.

INSTALLATION DIAGRAM DISPLAY

TOOLS REQUIRED



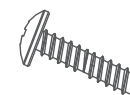
ACCESSORIES LIST



Wall Anchors



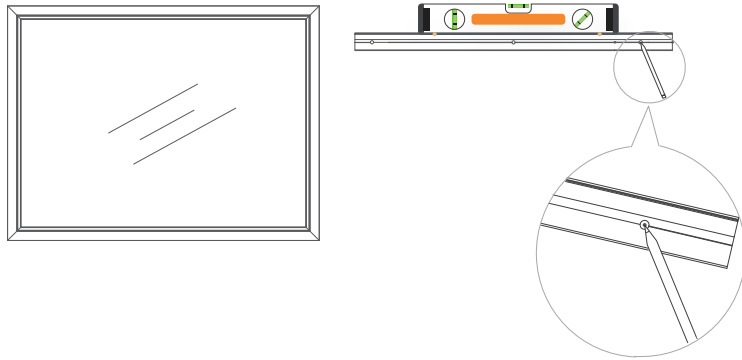
Wall Bracket



Screws ST4.2x40

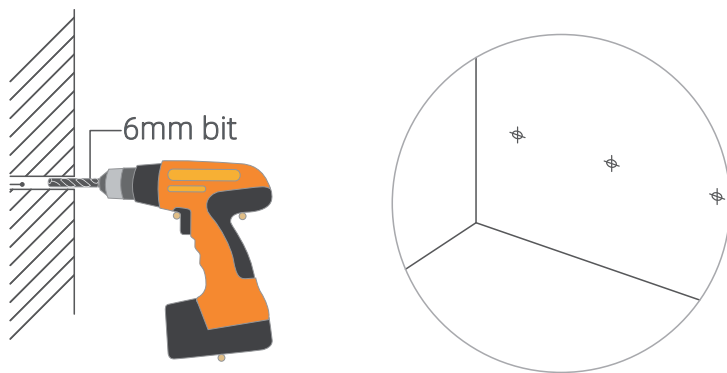
Step 1

Place the bracket against the wall, make sure it is perfectly horizontal with the help of a level, and mark drilling holes with a pencil.



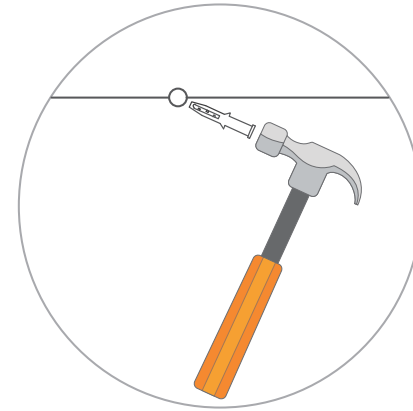
Step 2

Apply a 6mm drill bit and drill holes to a depth of 45mm at the marked spots.



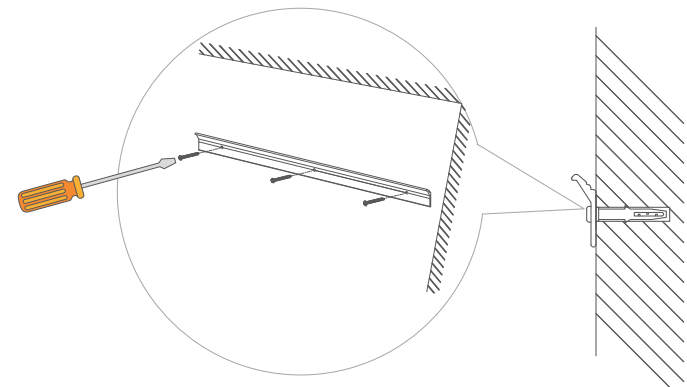
Step 3

Insert wall anchors with a hammer.



Step 4

Secure the bracket to the wall with screws.



Step 5

Place the mirror against the wall, align the hook with the mounted bracket, and slowly lower the mirror down. Make sure that the mirror slots into the right position and hangs securely.

Note: Assembly by two or more adults is highly recommended.

