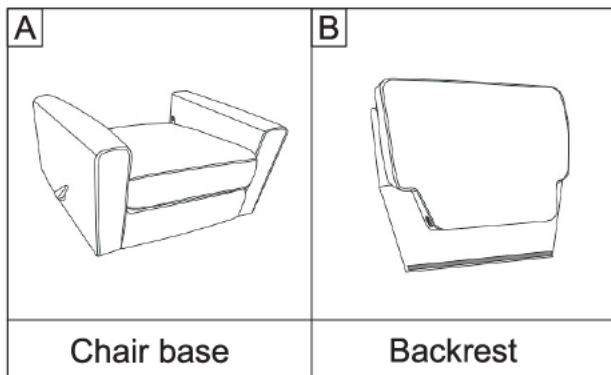
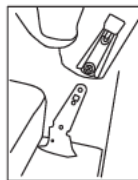


Electric Lift Chair Assembly Instruction

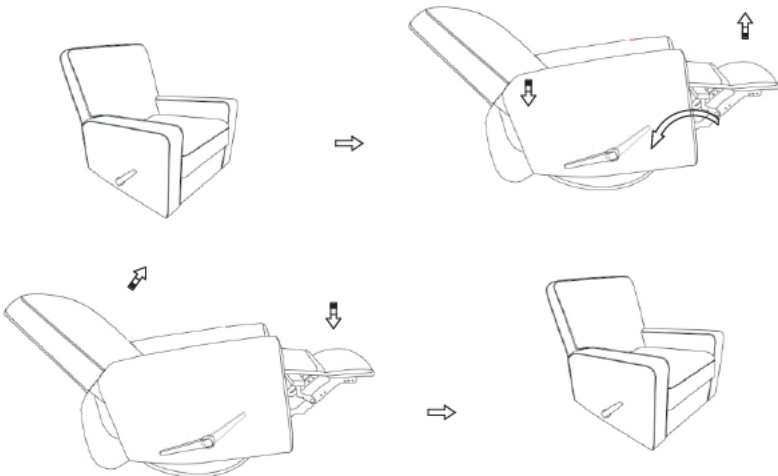


STEP1



Insert chair back to the chair base, make sure the slots on the back fully assembled to the bottom part

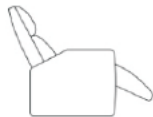




To return the footrest to the closed position and the back cushion to an upright position, sit upright and apply more weight to the footrest



SIT



TV POSITION



FULL RECLINE

While seated in the recliner, enjoy the 360 degree swivel feature.

