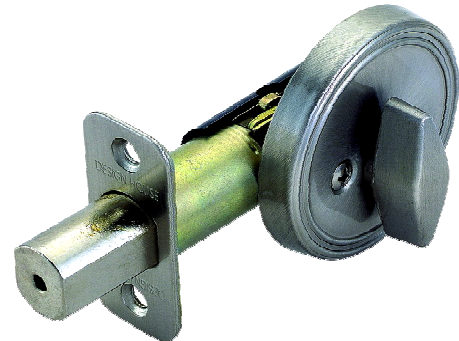


DEADBOLT Single Sided

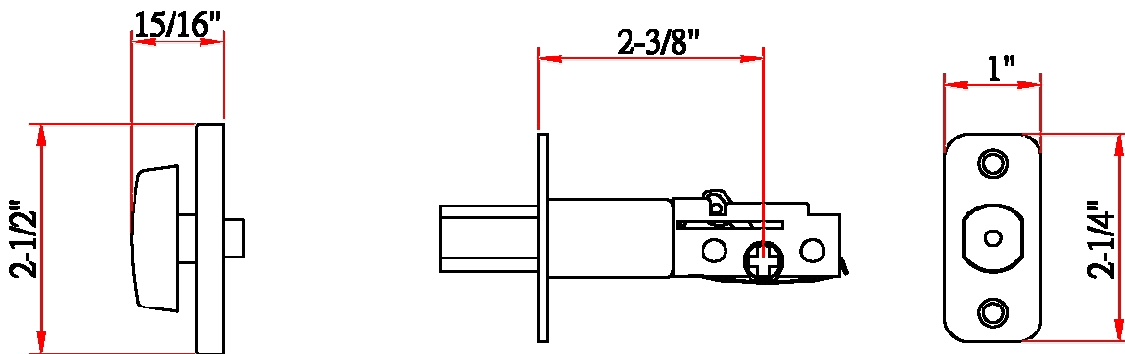


Specifications

Latch Type	2-3/8" Backset
Door Prep	Cross bore 2-1/8" dia (54mm). Edge bore 1" dia (25mm)
Backset	2-3/8"
Door Thickness	1-3/8" - 1-3/4" door standard
Cylinder	—
Faceplate	1" x 2-1/4" radius corner.
Strike	Standard radius corner . Other options available.
Latch Bolt	Full 1" throw. Nickel plated.
Door Handing	Non-handed. Reversible for Left or Right hand doors.
Keyway	—
Keyed Alike	—



Dimensions



Warranty & Compliances

Warranty	Limited Lifetime Mechanical / 5 year Finish
ANSI/BHMA	Meets ANSI Grade 3 specification
ADA	N/A
UL	N/A



Order Codes

Box Pack	2W	
Satin Nickel (US15)	750836	TRU MATCH
Polished Brass (US3)	750828	TRU MATCH
Oil Rubbed Bronze (US10B)	750869	TRU MATCH

Type:

Job:

Order Code:

Approvals:

Design House reserves the right to make changes in materials, specifications & models at any time. Design House also reserves the right to discontinue product without notice or obligation.