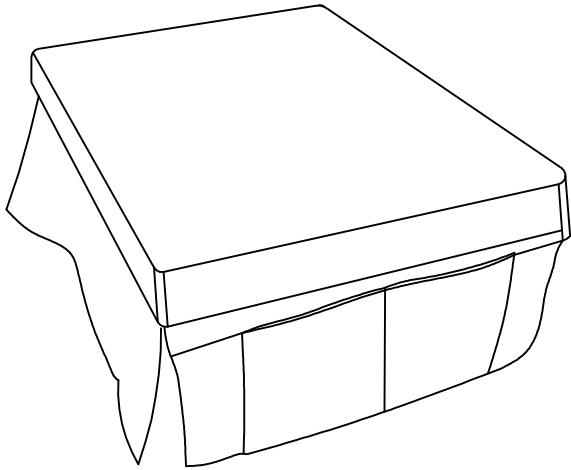
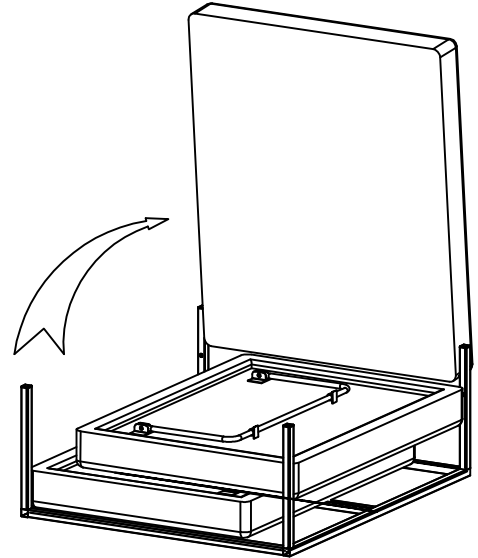


ASSEMBLY INSTRUCTIONS

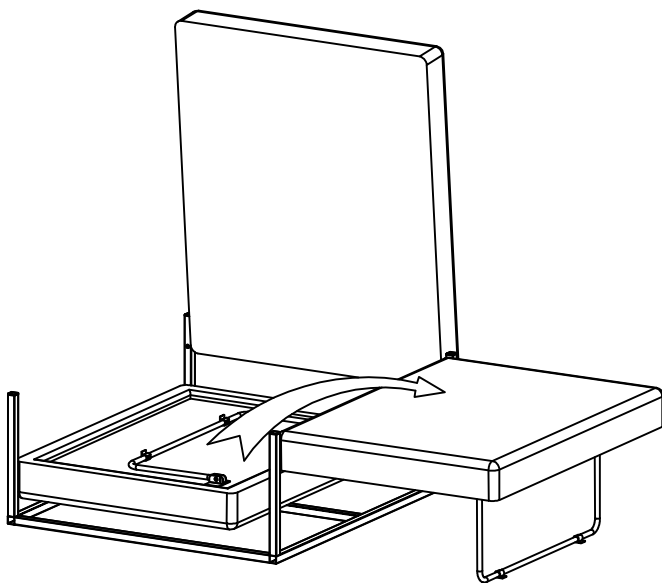
Before assembling ,read all the instruction



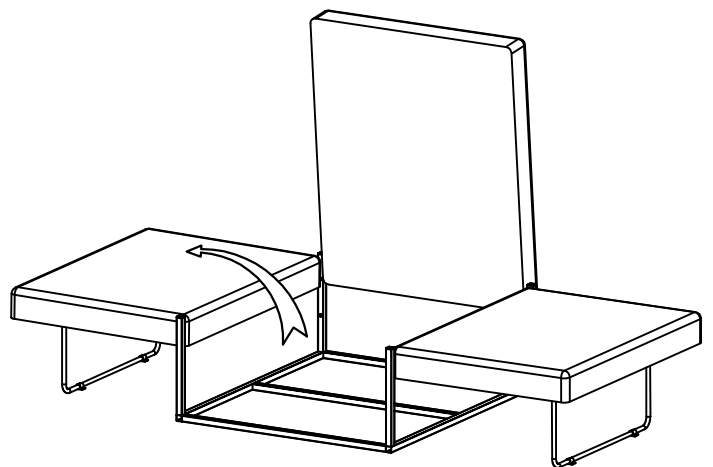
Step 1.



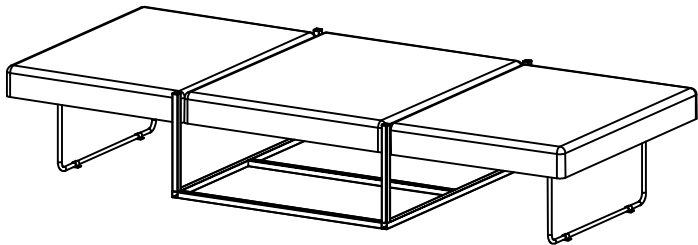
Step 2.



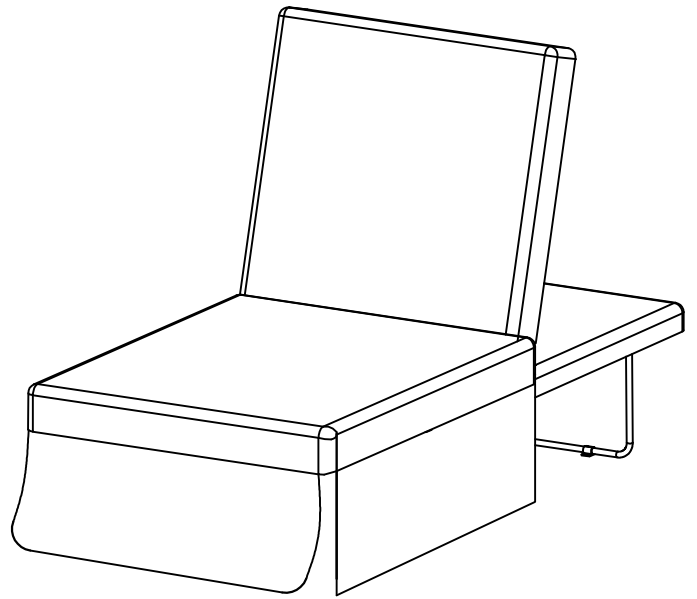
Step 3.



Step 4.



Step 5.



Step 6.