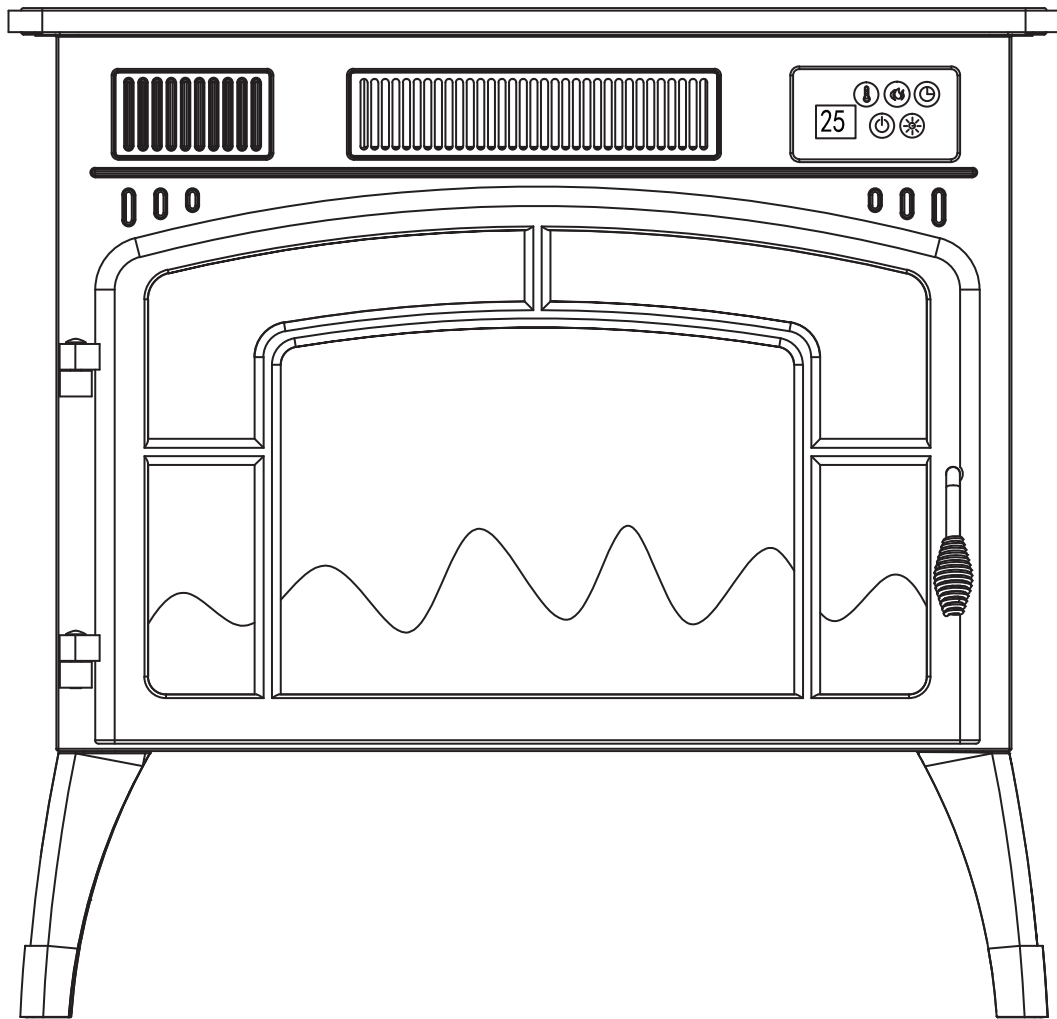


INSTRUCTION MANUAL

Electric Fireplace Stove



WELCOME TO THE FUTURE !

Thank you for choosing our electric fireplace stove heater! Our products are designed to be both stylish and functional, with a focus on energy efficiency and sustainability. We use high-quality materials to ensure that our pieces are built last, so you can enjoy them for years.

Whether you're looking for a cozy electric fireplace heater or a stylish living room decorative piece, this product will satisfy.

Our products are perfect for any home or office, and we're confident that you'll love them as much as we do!

IMPORTANT INSTRUCTIONS

PLEASE READ ALL INSTRUCTIONS BEFORE USING THIS HEATER.

WHEN USING ELECTRICAL APPLIANCES, BASIC PRECAUTIONS SHOULD ALWAYS BE FOLLOWED TO REDUCE THE RISK OF FIRE, ELECTRIC SHOCK AND PERSONAL INJURY, INCLUDING THE FOLLOWING:

When switching on the appliance for the first time, allow it to run at full power for about two hours to get rid of the unpleasant smell. Make sure that the room in which the appliance is located is well ventilated during this operation. It is normal for the appliance to emit small cracking sounds when you turn it on for the first time.

IMPORTANT SAFETY INSTRUCTIONS. READ ENTIRE MANUAL PRIOR TO USE.

YEA, THE BORING STUFF

...but read it, so you don't jack things up!

PLEASE READ ALL OF THE INFORMATION IN THIS OPERATING MANUAL, INCLUDING ALL SAFETY OPERATING, AND MAINTENANCE INFORMATION. TO AVOID THE POTENTIAL RISK OF FIRE, ELECTRIC SHOCK, OR INJURY TO PERSONS, USERS SHOULD FOLLOW THE DIRECTIONS AND WARNINGS IN THIS MANUAL

1. Read all instructions before using this heater.
2. This heater is hot when in use. To avoid burns, do not let bare skin touch hot surfaces. Use a handle when moving the unit. Keep flammable materials such as furniture, pillows, bedding, papers, clothes, and curtains at least 3 feet (0.9 m) from the front and top of the heater and keep them away from the sides and the rear of the heater. Keep the rear grille away from walls or drapes so as not to block the air intake.
3. Extreme caution and supervision is necessary when any heater is used near children or the invalids and whenever the heater is left operating and unattended.
4. Always unplug the heater when not in use.
5. Do not use any heater with a damaged cord or plug or after the heater malfunctions or has been dropped or damaged in any manner. Discard heater or return to an authorized service facility for examination and/or repair.
6. Do not use it outdoors.
7. This heater is not intended for use in bathrooms, laundry areas or other similar indoor locations. Never locate the heater where it may fall into a bathtub or other water containers.

IMPORTANT SAFETY INSTRUCTIONS. **READ** ENTIRE MANUAL PRIOR TO USE.

8. Do not run the cord under carpeting. Do not cover the cord with throw rugs, runners, or similar coverings. Do not lay out the cord under furniture or appliances. Arrange the cord away from traffic areas and place it where it will not be tripped over.
9. To disconnect heater, turn controls to off, then remove plug from outlet.
10. This appliance has a polarized plug (one blade is wider than the other). This plug is intended to fit a polarized outlet only one way. If the plug does not fit fully in the outlet, reverse the plug. If it still does not fit, consult a qualified electrician. Do not connect the heater to extension cords, surge protectors, timers, direct breakers, or an outlet with other appliances connected to the same outlet. **Risk of fire, overheat, malfunction, property damage, injury, or even death may result if not adhered to!**
11. Connect to properly polarized outlets only.
12. Do not insert or allow foreign objects to enter ventilation or exhaust openings, as this may cause an electric shock or fire, or damage the heater.
13. To prevent a possible fire, do not block air intakes or exhaust in any manner. Do not use on soft surfaces, like a bed, where openings may become blocked.
14. A heater has hot and arcing or sparking parts inside. Do not use it in areas where gasoline, paint, or flammable liquids are used or stored.
15. Use this heater only as described in this manual. Any other use not recommended by the manufacturer may cause fire, electric shock, injury to persons or other damage to property.
16. This heater must be plugged into a 120V, 15 amp (or more) circuit of its own. Nothing else can be plugged into the same circuit. If unsure if your home meets this specification, consult a certified electrician prior to use. **Risk of fire, overheat, malfunction, property damage, injury, or even death may result if not adhered to!**
17. To prevent overload and blown fuses, be sure that no other appliance is plugged into the same outlet or into another outlet wired into the same circuit.
18. It is normal for the heater's plug and cord to feel warm to the touch. A plug or cord that becomes hot to the touch or becomes distorted in shape may be a result of a worn electrical outlet. Worn outlets or receptacles should be replaced prior to further use of the heater. Plugging heater into a worn outlet/receptacle may result in overheating of the power cord or fire.

IMPORTANT SAFETY INSTRUCTIONS. **READ** ENTIRE MANUAL PRIOR TO USE.

19. Ensure the heater is on a stable, secure surface to eliminate the potential of tipping over.
20. Always plug heaters directly into a wall outlet/receptacle. Never use with an extension cord or relocatable power tap (outlet /power strip).
21. Be sure that the plug is fully inserted into appropriate receptacle. Please remember that receptacles also deteriorate due to aging and continuous use: check periodically for signs of overheating or deformations evidenced by the plug. Do not use the receptacle and **CALL** your electrician.
22. Check that neither the appliance nor the power cable has been damaged in any way during transportation.
23. Make sure that no pieces of polystyrene or other packaging material have been left between elements of the appliance. It may be necessary to pass over the appliance with a vacuum cleaner.
24. This appliance is not intended for use by persons (including children) with reduced physical, sensory or mental capabilities, or lack of experience and knowledge, unless they have been given supervision or instruction concerning use of the appliance by a person responsible for their safety. Children should be supervised to ensure that they do not play with the appliance.
25. Hyperthermia can result in death. Symptoms of hyperthermia include high body temperature, headache, nausea, vomiting, tiredness, dizziness, fainting, and rapid pulse. If you begin to experience symptoms related to hyperthermia, turn off the heater and seek medical attention.
26. To avoid excessive room temperatures which can cause hyperthermia: **DO NOT** leave product running unattended in a confined space around infants, or individuals with reduced physical, sensory, or mental capabilities.

CAUTION: To prevent electric shock, match and fully insert the wide blade of the plug to the wide slot.

ELECTRIC FIREPLACE HEATERS

This product is only suitable for well-insulated spaces and occasional use

Model	Voltage	Frequency	Power
A	120V~	60Hz	1500w

This is an emulational flame electric fireplace. The theory of the product is to use a fan to flow the hot air heated by the heating elements in order to achieve the effect of indoor heating.

WARMING TIPS

Immediately after unpacking please check that the delivery is complete and all product parts are in good condition.

TOOLS NEEDED FOR ASSEMBLY

GRAB YOUR TOOLS



Phillips ("+") screwdriver (not included)

PARTS AND HARDWARE

Item	Description	Qty
A	Stove	1
B	Legs	4
C	Screws	12

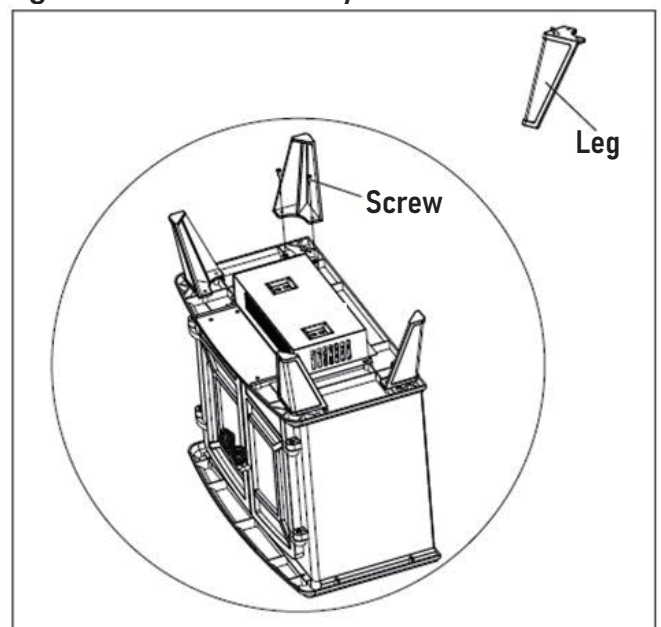
ATTACHING THE LEGS

1. Turn the product on its side to start attaching legs.
2. Place a leg on each corner and use 3 screws for each leg.
3. Tighten the screws clockwise until each leg is tightened.
4. Turn the unit back up to standing position and make sure it is stable.
5. Place the unit on the required location and plug in. It is now ready for use.

The electric fireplace stove must not be used without being placed on the legs. Please ensure that all four legs have been assembled.

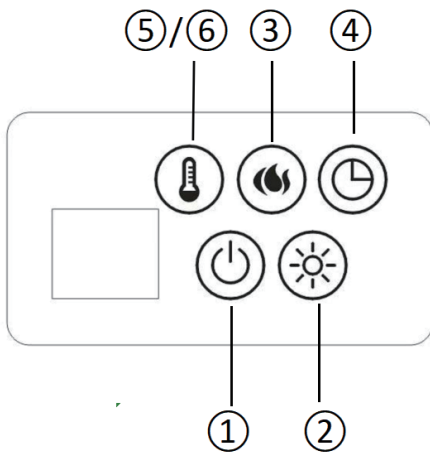
NOTE:

The drawing below is for illustration purposes only. Your product may be slightly different in looks but the operations are the same.

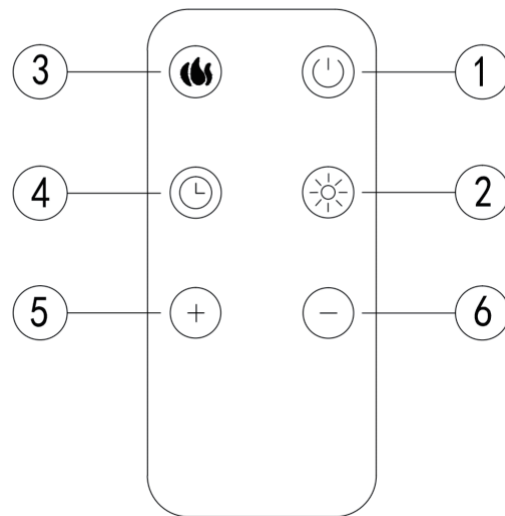


OPERATING INSTRUCTIONS

Switch on Product



Remote control



- ① Power switch ON/OFF.
- ② Heating setting: Heat power 750W and 1500W.
- ③ Flame color setting : five color cycle adjustments .
- ④ Timer: Timing 1-12 hours .
- ⑤ Temperature up setting .
- ⑥ Temperature down setting .

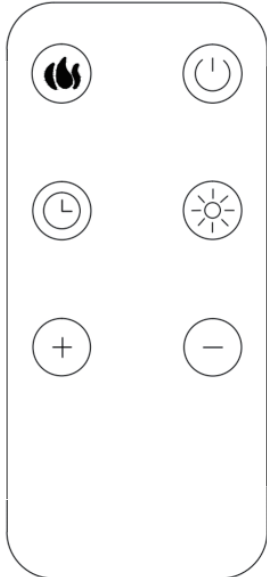
The device can be operated either via the controls on the device or by means of the remote control.

1. Press the power switch button ① to turn on the fireplace.
2. Press the heating button to switch power ②, with high power displaying **H2** (1500W) and low power displaying **H1** (750W).
3. Press the temperature setting button ⑤ ⑥ to adjust the temperature, with a temperature setting range of 59-95 °F. Press the up button to increase the temperature, and press the down button to decrease the temperature. The default temperature is 77 °F.
4. Press the flame color button ③ to set the flame color change, there are five color cycle adjustments.
5. Press the timer button ④ to set the timer function, 01-12 hours

OPERATING INSTRUCTIONS

Remote control

◆ Before use, open the back cover of the remote control and put in the Button Batteries.



Use Button Batteries



Battery must be recycled or disposed of properly. Check with your Local Authority or Retailer for recycling advice in your area.

USING THE REMOTE CONTROL

Batteries Required

CR2032 / CR2025 coin cell not included

⚠ Battery Safety Notice

Required button cell battery. Keep away from children. If swallowed, seek immediate medical help.

Instaling the battery

You need to prepare your own button batteries. When replacing the batteries, use lithium-based CR2025 batteries or CR2032 batteries. Replace the batteries in the following order.

OVERHEATING SAFE DEVICE

If the heater stops working, turn the heater off and inspect the blockage of inlet or outlet. **Disconnect the plug and wait at least 10 minutes** for the protection system to reset before attempting to restart the heater. If the safe device still switches the heater off and makes the heater fail to operate, take the heater to your nearest service center for examination or repair.

Attention: before restarting the heater, **the plug must be disconnected for at least 10 minutes**

CLEANING

1. Always disconnect the appliance from the main supply before cleaning.
2. Clean the outside of the heater by wiping with a damp or dry cloth.
3. Do not use petroleum, any other detergent or chemical solvent to clean the heater.
4. When the heater is not used for a long time, it should be protected from dust and stored in a clean dry place.

DISPOSAL



Environmental Protection

Waste electrical production should not be disposed of with household waste. Please recycle where facilities exist. Check with your Local Authority or retailer for recycling advice.

WARNING: DO NOT INGEST BATTERIES

1. Non-rechargeable batteries are not to be recharged.
2. Batteries are to be inserted with the correct polarity.
3. Exhausted batteries are to be removed from the product.
4. Always purchase the correct size and grade of battery most suitable for the intended use.
5. Replace all batteries of a set at the same time.
6. Clean the battery contacts and also those of the device prior to battery installation.
7. Remove batteries from equipment when not used for an extended period of time.

NOTE:

Battery disposal
Please always dispose
of batteries at a
suitable
recycling point.

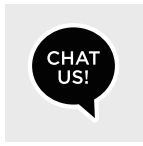


NOTE:

Battery disposal Please always dispose of batteries at a suitable recycling point.

HELP CENTER

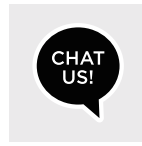
Question about your product? We're here to help. Visit us at:



Chat Support



Product inquiry



Orders FAQ



Product Assembly



Returns & Refunds

WE STANDS BEHIND THE QUALITY OF THEIR FURNITURE

1. If you have any issues with your item please let us know! We will always do our best to come up with a solution that you will be happy with.
2. Please get in touch with our customer service team before returning the product.
3. And pls do not throw the original box(es) if you have not finished assembling or confirmed no quality issues.

Length of return period:

Items can be returned within 30 days of purchase.

In the meanwhile, everything you purchased from us comes with a one-year warranty.

Who is responsible for the return shipping fee:

We will cover the return shipping fees if:

1. Your item has a manufacturing defect in its materials or workmanship. For example, torn wicker or misaligned screw holes. We will send you a prepaid shipping label after photos are sent.
2. Your item has been damaged in transit. For example, glass is broken or wicker is damaged. We will send you a prepaid shipping label after photos are sent.
3. You receive the wrong box(es) due to a warehouse error. We will send you a prepaid shipping label after photos are sent of the wrong SKU numbers on the outer box(es).
4. One or more boxes are lost in transit. We will send you a prepaid shipping label if you no longer want the item.

* However, we still hope to work with you for a better solution instead of a return. Please don't hesitate to contact our customer service team

HELP CENTER

Customer will cover the return shipping fees if:

1. You don't like the product(s) after receiving the box(es).
2. You no longer need the product(s) but you have received the box(es)
3. You buy the product(s) by mistake but you have received the box(es).
4. Order/shipment cancellation failed and you have received the box(es)

Return Request

In order to get a full refund as described in this return policy, all items must be: (1) in a brand new/unused condition, please provide photos before and after packaging. (2) When returning, all accessories and parts are firmly packed in all original packaging. If your return does not meet the requirements, you may not get a full refund.

When will I be refunded?

The refund is released once the goods have been returned to our warehouse. What if the product is damaged/defective outside of the valid return period? We want you to be a happy customer. Please reach out to us by email and we will come up with a solution to make sure you are satisfied.

AFTER-SALE SERVICE

Please feel free to **send us the text**. We will reply to you within 24 hours. Also please feel free to contact us if you have received the defective items.