

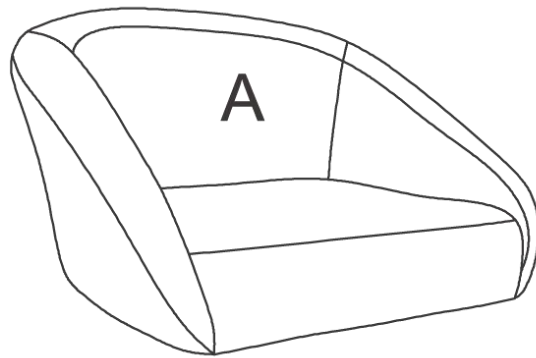
Assembly Manual

Bar Chair

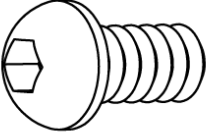
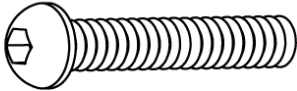



Please read this manual carefully before any operation and keep it properly for future use.

Exploded View



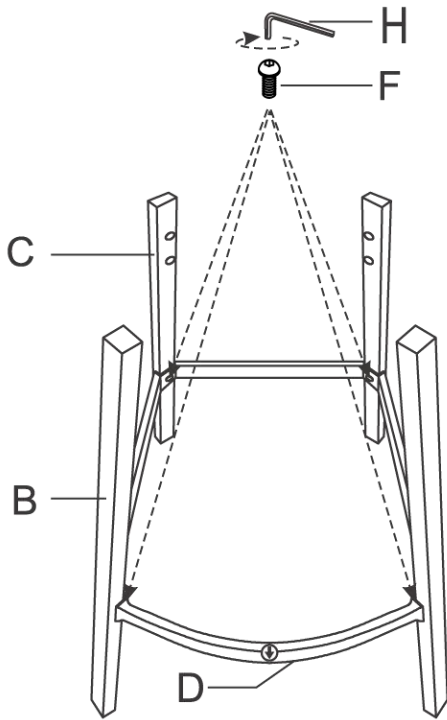
Components list

F 			G 			H 		
Bolt	M6*14	12+2	Bolt	M6*50	4+1	Allen wrench	5#	1

Assembly Instruction

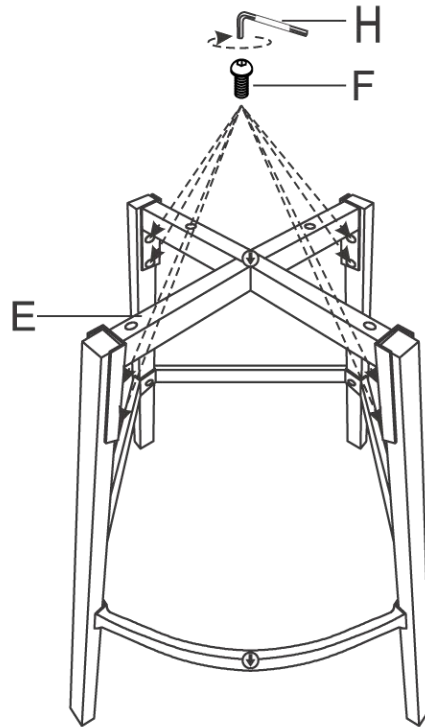
STEP 1

STEP 1: Attach front legs (B) and back legs (C) to bracket (D) using bolts (F) and Allen wrench (H).



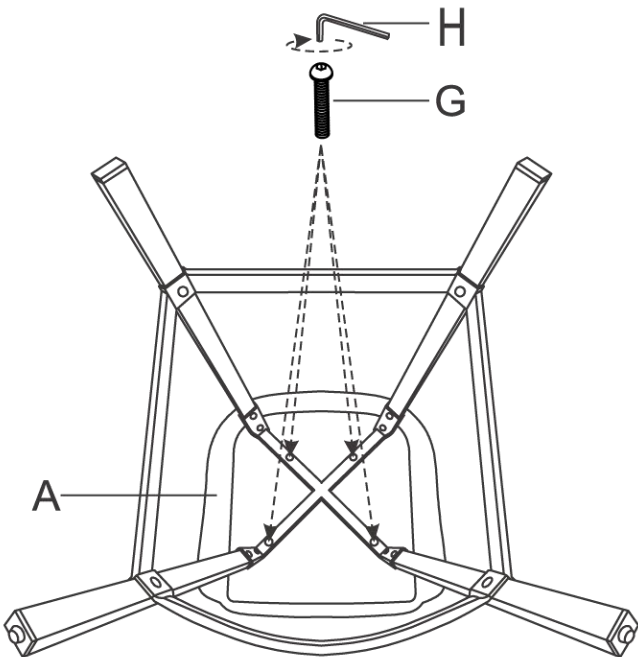
STEP 2

STEP 2: Attach cross base (E) to legs (B&C) using bolts (F) and Allen wrench (H).



STEP 3

STEP 3: Attach legs to seat cushion (A) using bolts (G) and Allen wrench (H).



STEP 4

STEP 4: Flip the bar chair and the assembly is complete. If you find the chair not level, please adjust by rotating the feet pads on the legs.



Done!

