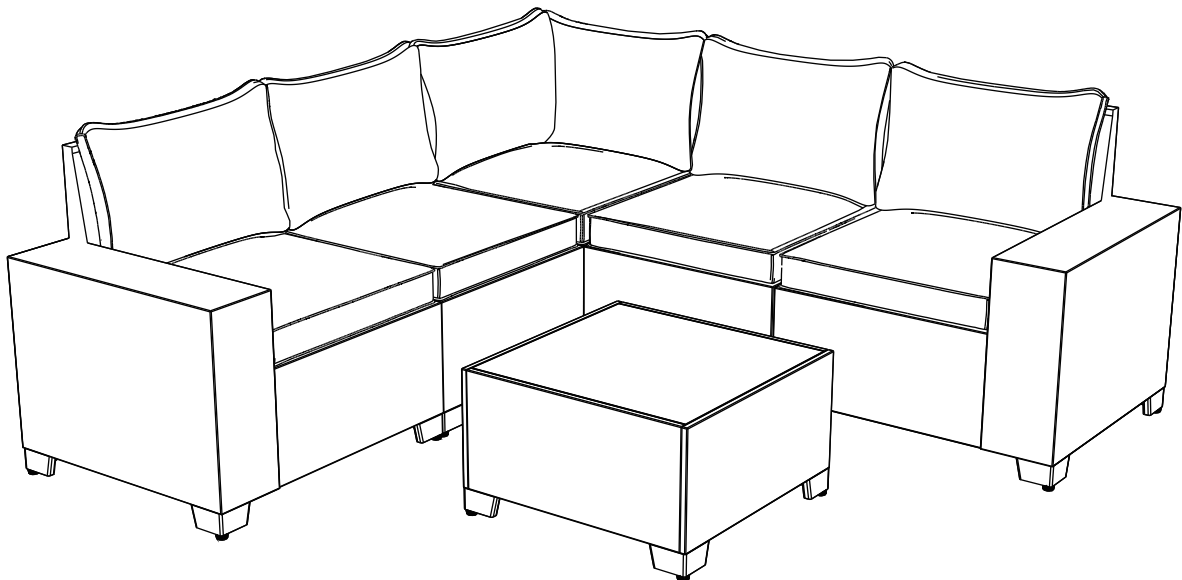


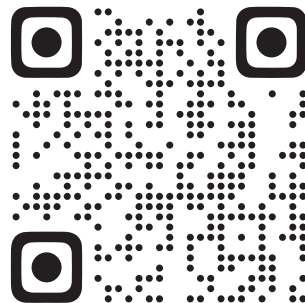


Patio Conversation Set

Thank you for purchasing our Outdoor Rattan 6-Piece Sofa Set! Please read these instructions carefully to ensure safe assembly, use, and maintenance of your furniture.



Model:P2506



Scan the QR code to learn more about our product.



WARNINGS

Not for Children

This sofa set is intended for adult use only. Avoid allowing children to play or climb on the furniture to reduce the risk of injury.

No Standing on Furniture

The furniture is designed for sitting only. Do not stand, jump, or place excessive weight on the armrests or backrests.

Avoid Modifications

Do not modify or attempt to repair the sofa set. Contact customer service for any necessary repairs or replacement parts.

Important Safety Information

Choking Hazard: Keep packaging materials, small parts, and screws away from children. This product contains parts that could be harmful if swallowed.

Adult Supervision: Always supervise children around the furniture, especially when playing or climbing.

Stable Surface: For safety and stability, ensure the sofa set is placed on a level, stable surface. Avoid placing it on uneven or slippery ground.

Weight Limit: Please do not exceed the recommended weight capacity for each seating unit and coffee table to prevent damage. Refer to the product's weight specifications for more details.

Cushion Safety: Ensure that cushions and pillows are securely in place before using the furniture. Avoid using the product if any cushions are damaged or misplaced.

Protect from Weather: Although the rattan material is designed for outdoor use, we recommend covering the sofa set or moving it to a sheltered area during heavy rain, snow, or extreme sunlight exposure to protect the cushions and prolong the life of the set.

Proper Assembly: Always ensure that all components are properly assembled and that all screws and bolts are tightened securely before use. Check for loose screws periodically.

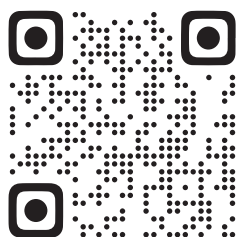


CONTENTS

Important.....	2
Packing List.....	3
List of Parts in Box A.....	4
Screw Set A.....	5
List of Parts in Box B.....	6
Screw Set B.....	7
Middle Sofa installation.....	8
Left Arm Sofa installation.....	11
Right Arm Sofa installation.....	13
Corner Sofa installation.....	15
Coffee Table installation.....	17
Maintenance and Care.....	21

CONTACT US

If you have any questions or concerns regarding our product, please don't hesitate to contact our customer service team at [service@outsofas.com]. We are committed to providing excellent service and ensuring your satisfaction.



Scan The Qr Code And Click The  Chat Button To Contact us.

Web:www.outsofas.com

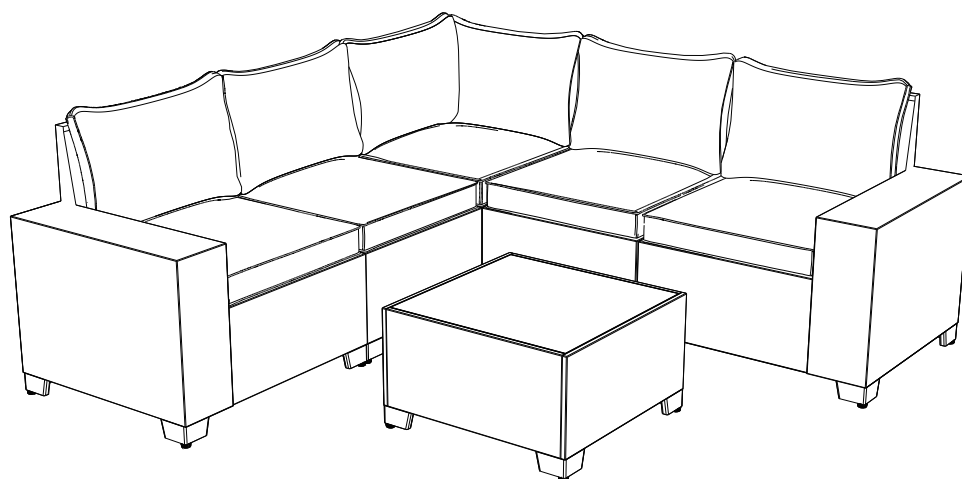
E-mail:service@outsofas.com



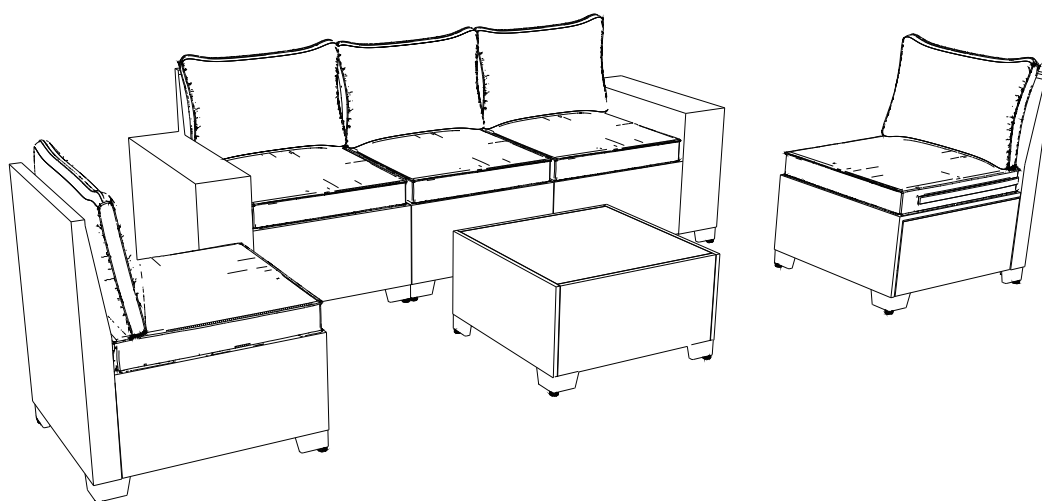
IMPORTANT

This product is a modular sofa set that can be placed according to the needs of the family.

Option	Left Arm Sofa	Right Arm Sofa	Armless Sofa	Corner Sofa	Coffee Table
Living Sofa	1	1	3	X	1
Corner Sofa	1	1	2	1	1



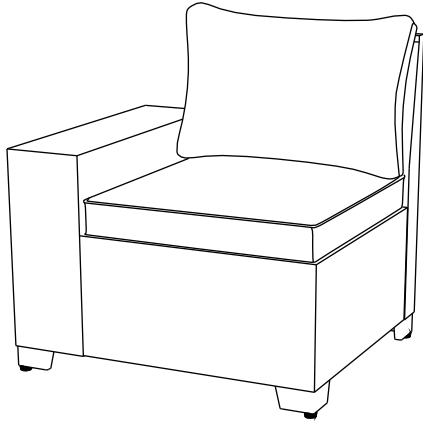
Corner Sofa



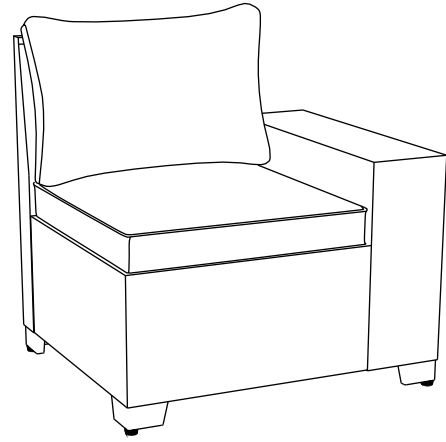
Living Sofa



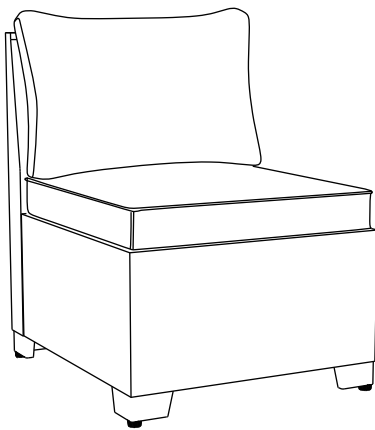
Packing List



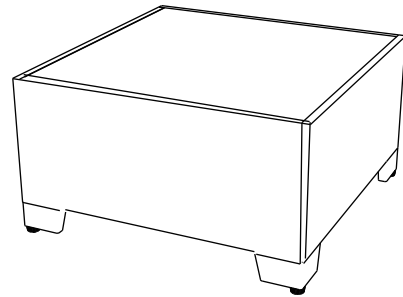
Right Arm Sofa x 1



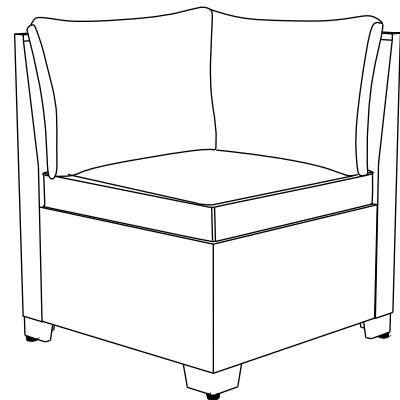
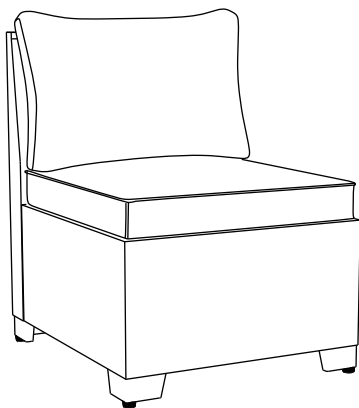
Left Arm Sofa x 1



Armless Sofa x 2



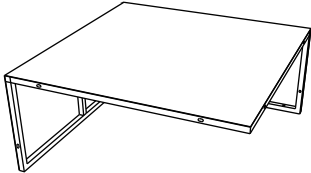
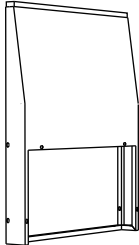
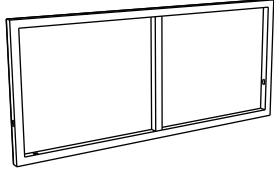
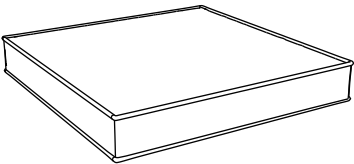
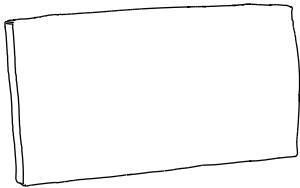
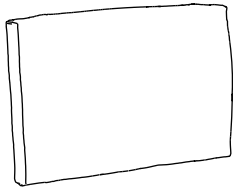
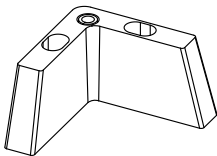
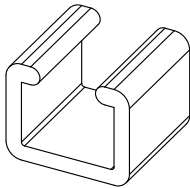
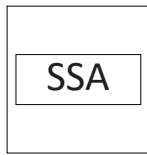
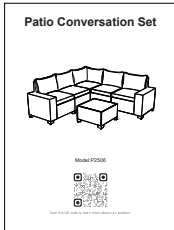
Coffee Table x 1



Armless Sofa or Corner Sofa x 1



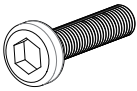
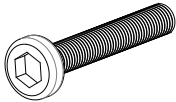
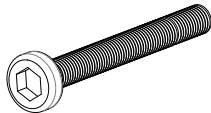

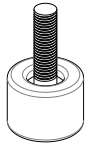
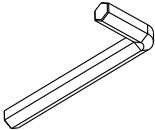
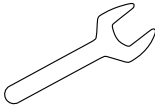

List of Parts in Box A

<p>(A) × 4</p> 	<p>(B) × 3</p> 	<p>(C) × 2</p> 
Sofa Seat Part	Sofa Back Part	Sofa Side Part
<p>(L) × 3</p> 	<p>(M) × 2</p> 	<p>(N) × 1</p> 
Seat Cushion	Long Back Cushion	Short Back Cushion
<p>(J) × 12</p> 	<p>(K) × 5</p> 	<p>(SSA) × 1</p> 
High L-Shaped Feet	U-Shaped Connector	Screw Set A
<p>Instruction × 1</p> 		
Instruction		

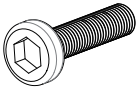
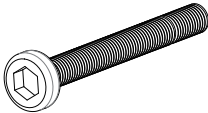

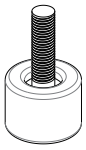

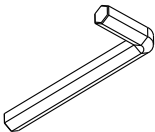
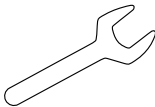


Screw Set A

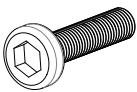
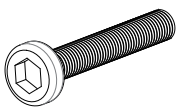
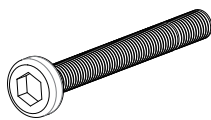

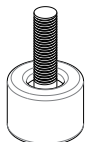



Armless Sofa's Screw × 2

<p>Ⓢ × 3</p>  <p>Bolt M6×35</p>	<p>Ⓚ × 4</p>  <p>Bolt M6×50</p>	<p>Ⓣ × 8</p>  <p>Bolt M6×60</p>	<p>Ⓡ × 12</p>  <p>Washer Nut</p>
<p>Ⓟ × 4</p>  <p>Adjustable Screws</p>	<p>Ⓦ × 1</p>  <p>Spanner</p>	<p>Ⓥ × 1</p>  <p>Wrench</p>	<p>Ⓞ × 6</p>  <p>Aperture Cover</p>

Left or Right Arm Sofa's Screw × 2

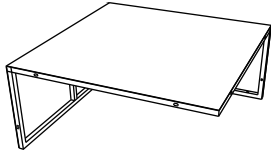
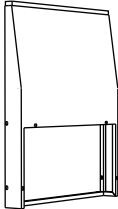
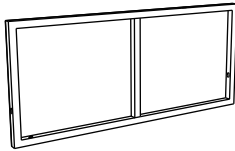
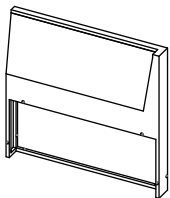
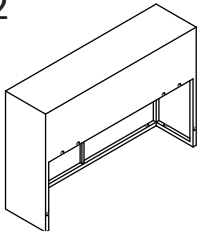
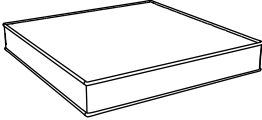
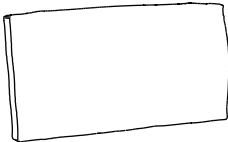
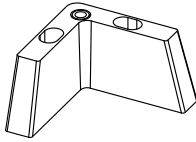
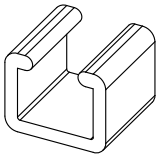
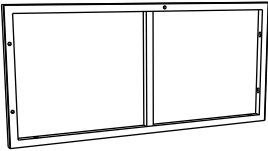
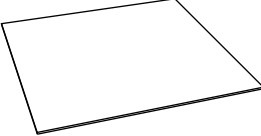
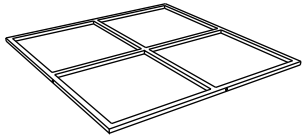


<p>Ⓚ × 7</p>  <p>Bolt M6×50</p>	<p>Ⓣ × 8</p>  <p>Bolt M6×60</p>	<p>Ⓡ × 15</p>  <p>Washer Nut</p>	<p>Ⓟ × 4</p>  <p>Adjustable Screws</p>
<p>Ⓞ × 1</p>  <p>Aperture Cover</p>	<p>Ⓦ × 1</p>  <p>Spanner</p>	<p>Ⓥ × 1</p>  <p>Wrench</p>	

Additional Screws-A

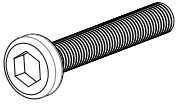
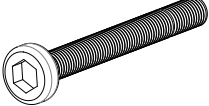
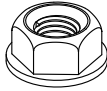

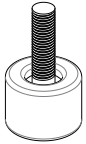
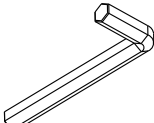
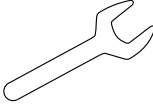
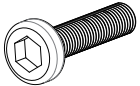
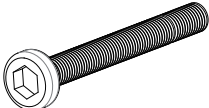

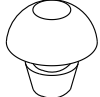
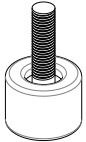
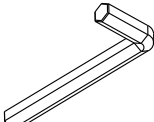
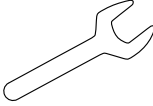
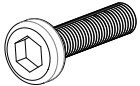
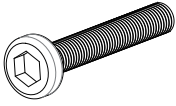
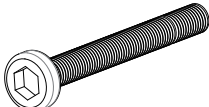

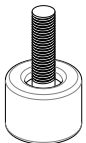


<p>Ⓢ × 2</p>  <p>Bolt M6×35</p>	<p>Ⓚ × 2</p>  <p>Bolt M6×50</p>	<p>Ⓣ × 2</p>  <p>Bolt M6×60</p>	<p>Ⓡ × 2</p>  <p>Washer Nut</p>
<p>Ⓟ × 1</p>  <p>Adjustable Screws</p>	<p>Ⓨ × 1</p>  <p>Restoration of rattan</p>	<p>Ⓩ × 1</p>  <p>Velcro</p>	<p>Ⓞ × 2</p>  <p>Aperture Cover</p>



List of Parts in Box B

<p>(A) × 1</p> 	<p>(B) × 2</p> 	<p>(C) × 1</p> 
<p>Sofa Seat Part</p>	<p>Sofa Back Part</p>	<p>Sofa Side Part</p>
<p>(D) × 1</p> 	<p>(E) × 2</p> 	<p>(L) × 2</p> 
<p>Corner Sofa Long Back Part</p>	<p>Arm Part</p>	<p>Seat Cushion</p>
<p>(M) × 3</p> 	<p>(J) × 14</p> 	<p>(K) × 5</p> 
<p>Long Back Cushion</p>	<p>High L-Shaped Feet</p>	<p>U-Shaped Connector</p>
<p>(F) × 4</p> 	<p>(G) × 1</p> 	<p>(H) × 1</p> 
<p>Coffee Table Side Part</p>	<p>Plastic Wood Table Top</p>	<p>Coffee Table Connector</p>
<p>Instructions × 1</p> 	<p>(SSB) × 1</p> 	
<p>Instructions</p>	<p>Screw Set B</p>	

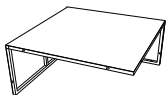
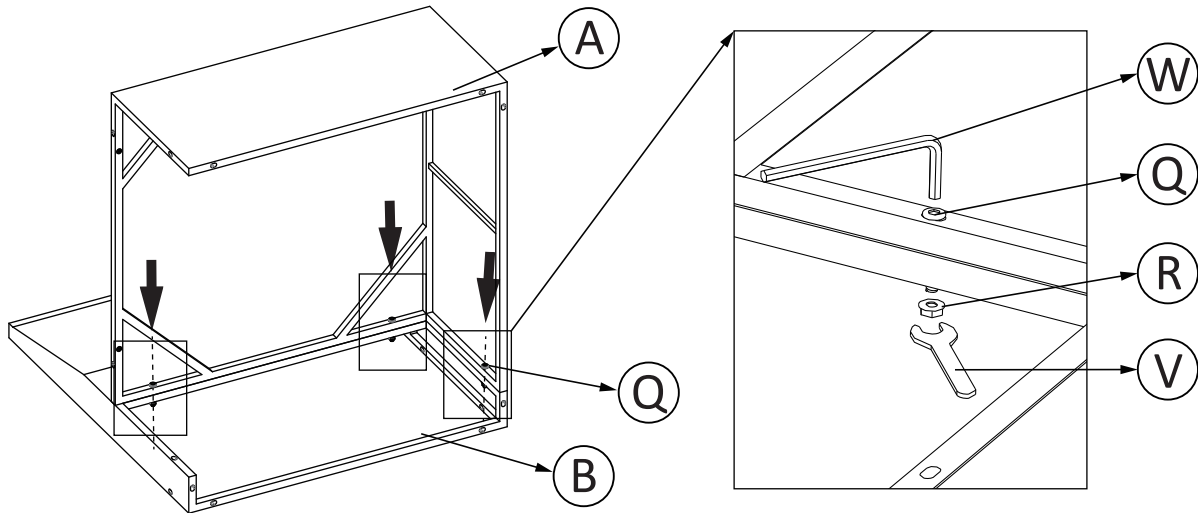


Screw Set B			
Corner Sofa's Screw × 1			
(Q) × 8  Bolt M6×50	(T) × 8  Bolt M6×60	(R) × 16  Washer Nut	(O) × 1  Aperture Cover
(P) × 4  Adjustable Screws	(W) × 1  Spanner	(V) × 1  Wrench	
Coffee Table's Screw × 1			
(S) × 8  Bolt M6×35	(T) × 8  Bolt M6×60	(R) × 8  Washer Nut	(X) × 4  Glass Mat
(P) × 4  Adjustable Screws	(W) × 1  Spanner	(V) × 1  Wrench	
Additional Screws-B			
(S) × 2  Bolt M6×35	(Q) × 2  Bolt M6×50	(T) × 2  Bolt M6×60	(R) × 2  Washer Nut
(P) × 1  Adjustable Screws	(Y) × 1  Restoration of rattan	(Z) × 1  Velcro	

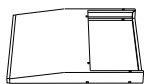


Step 1

Assemble the Middle Sofa Back Part (B) and the Sofa Seat Part (A) using the bolts (Q) and the nuts (R).
NOTE: Don't tighten it.



(A) × 1



(B) × 1

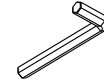


Bolt M6×50

(Q) × 3



(R) × 3



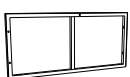
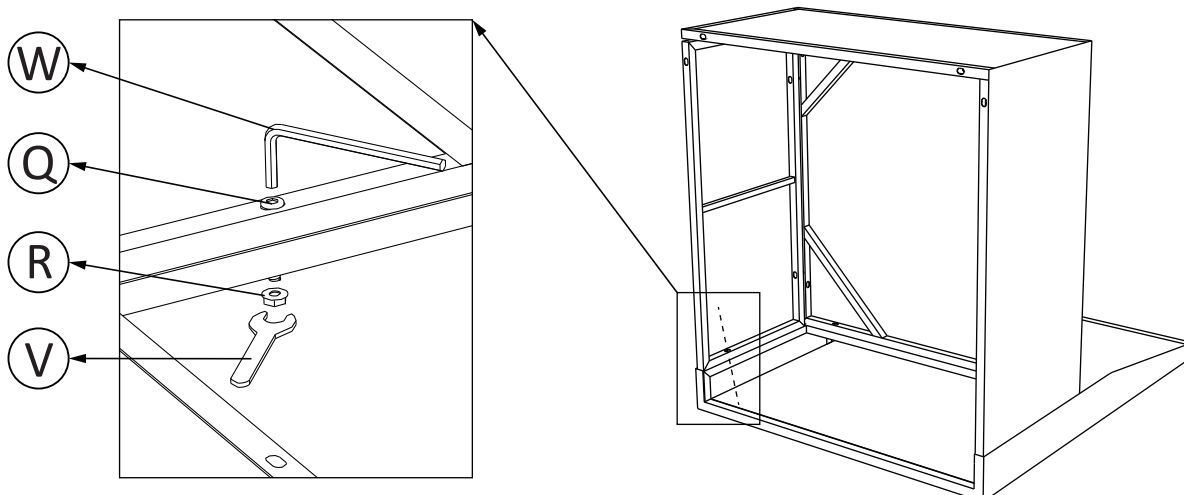
(W) × 1



(V) × 1

Step 2

Assemble the Sofa Side Part (C) by aligning the holes using the bolts (Q) and nuts (R).
NOTE: Don't tighten it.



(C) × 1

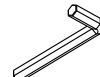


Bolt M6×50

(Q) × 1



(R) × 1



(W) × 1

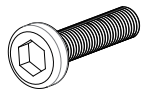
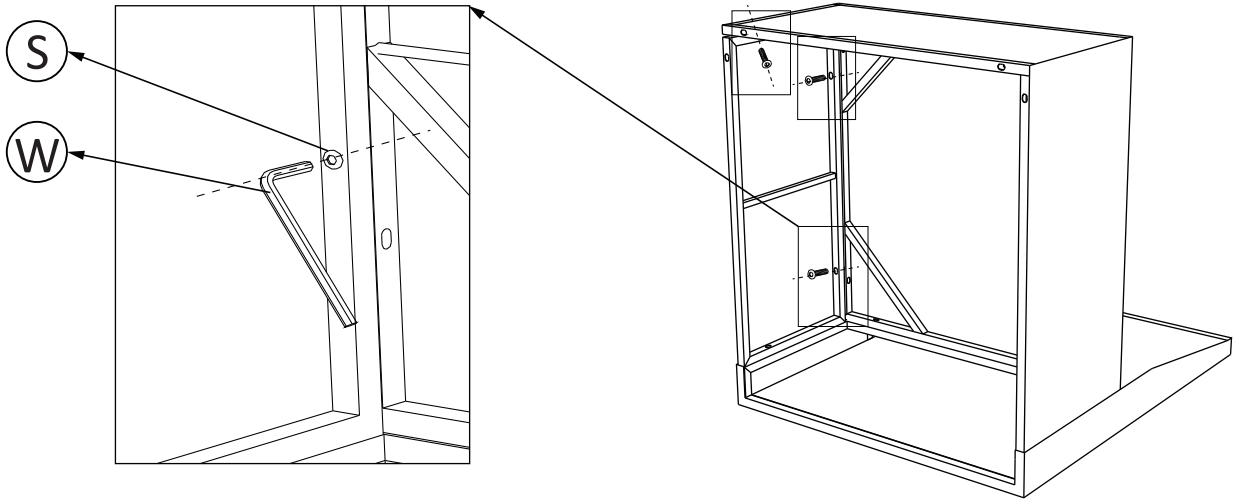


(V) × 1



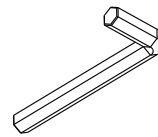
Step 3

Continue assembling the remaining holes in the Sofa Side Part (C) using the bolts (S).
NOTE:Please tighten all bolts.



Bolt M6x35

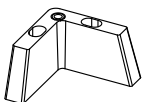
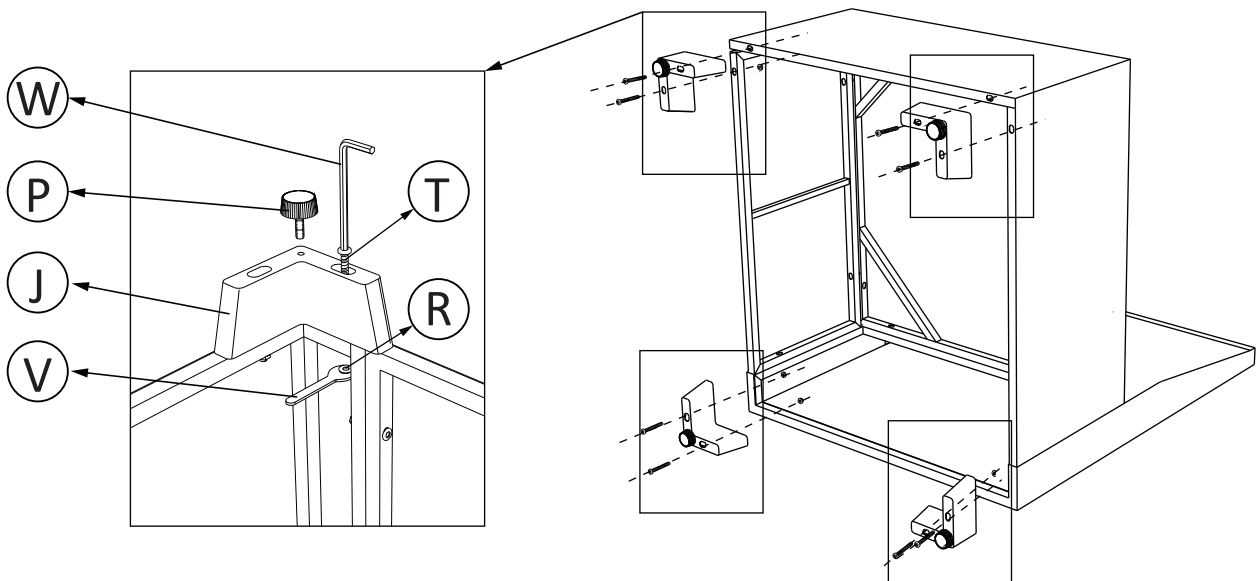
(S) × 3



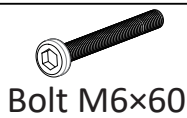
(W) × 1

Step 4

Assemble the High L-Shaped Feet (J) around the bottom of the sofa using the bolts (T) and nuts (P) and screw the adjusting screws (P) into (J).

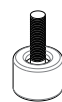


(J) × 4



Bolt M6x60

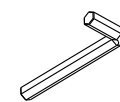
(T) × 8



(P) × 4



(R) × 8



(W) × 1

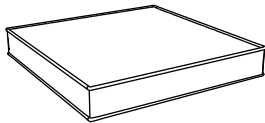
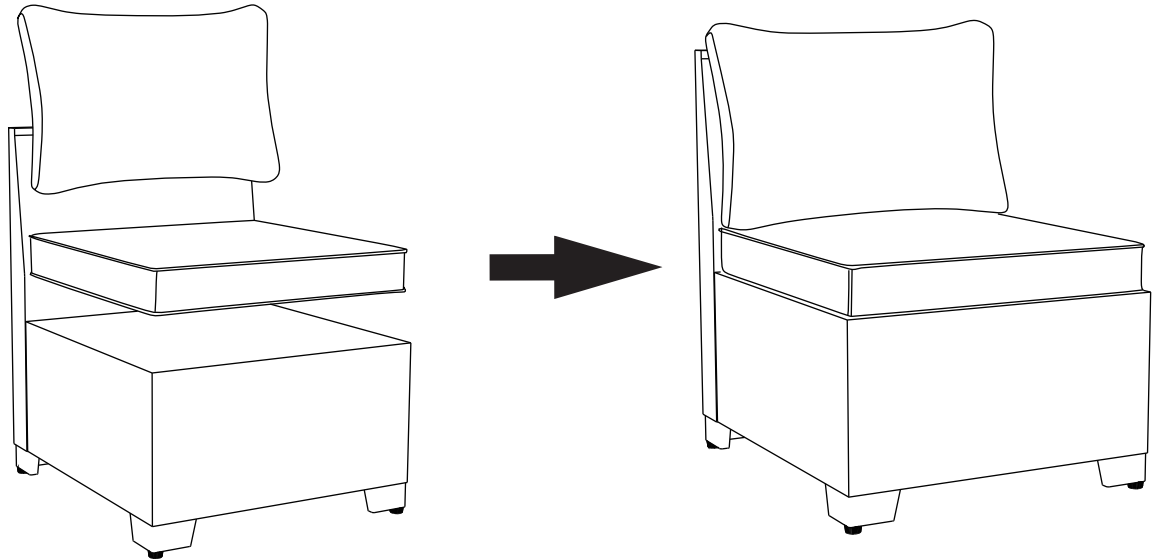


(V) × 1

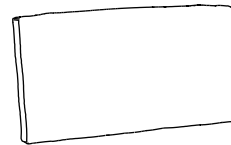


Step 5

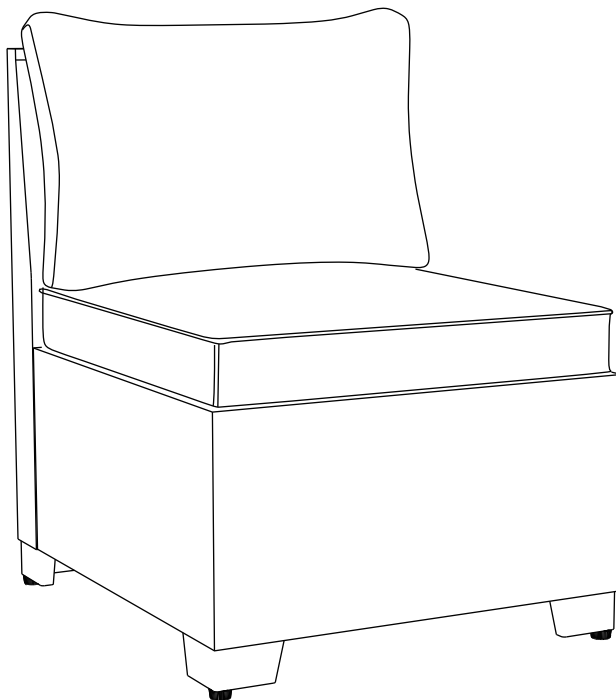
Place the seat cushion (L) and back cushion (M) on the sofa.



Ⓛ × 1



Ⓜ × 1

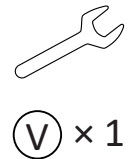
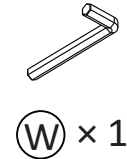
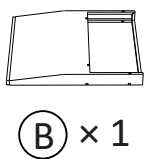
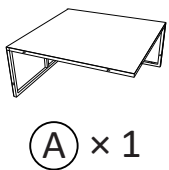
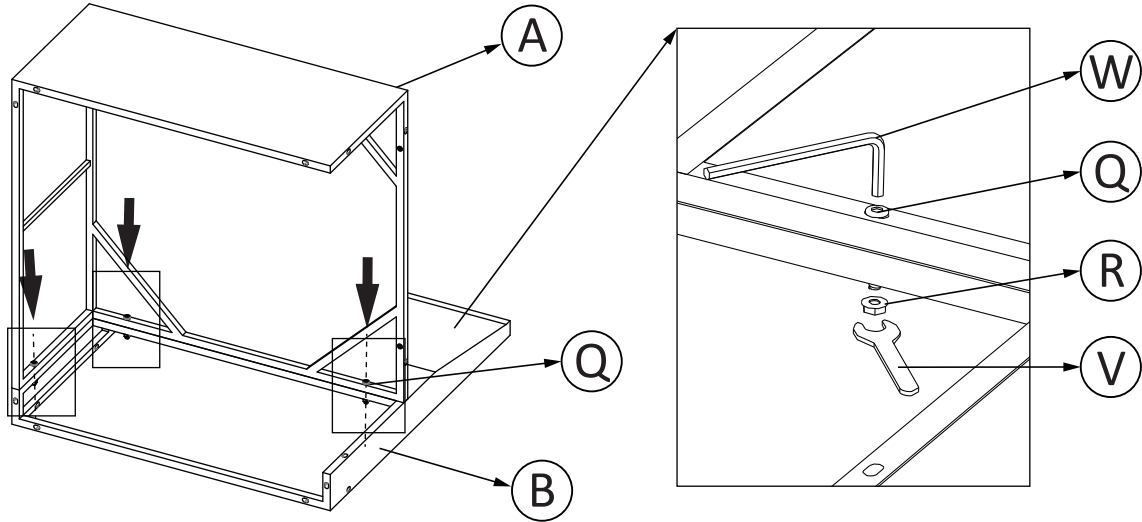


Armless Sofa x 2



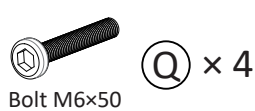
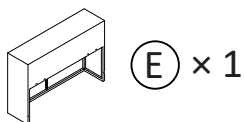
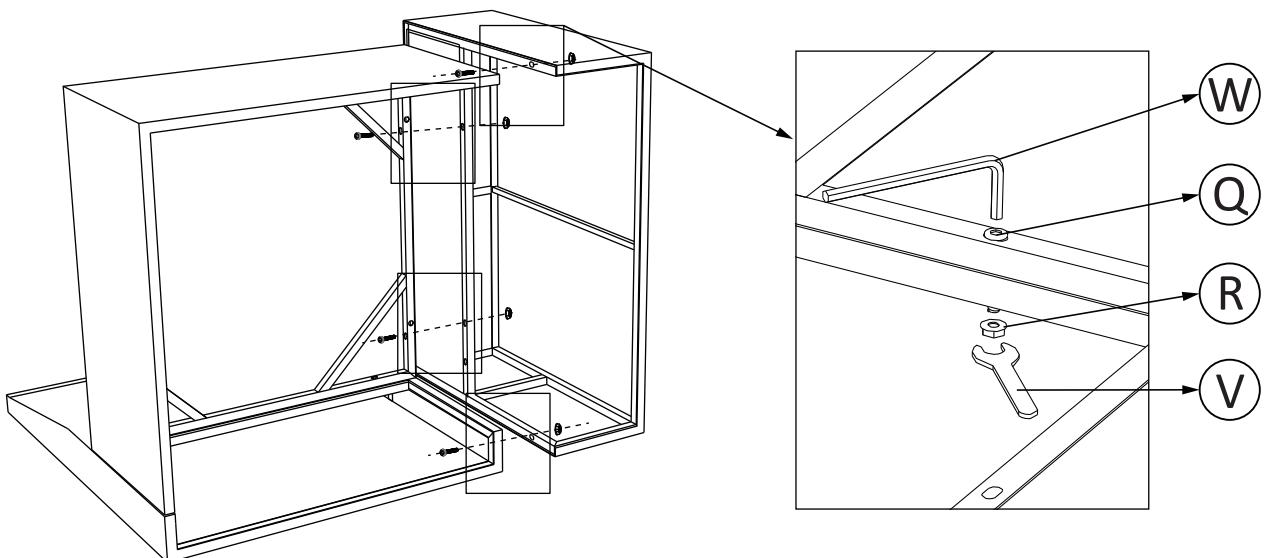
Step 1

Assemble the Middle Sofa Back Part (B) and the Sofa Seat Part (A) using the bolts (Q) and the nuts (R).
NOTE: Don't tighten it.



Step 2

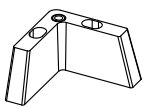
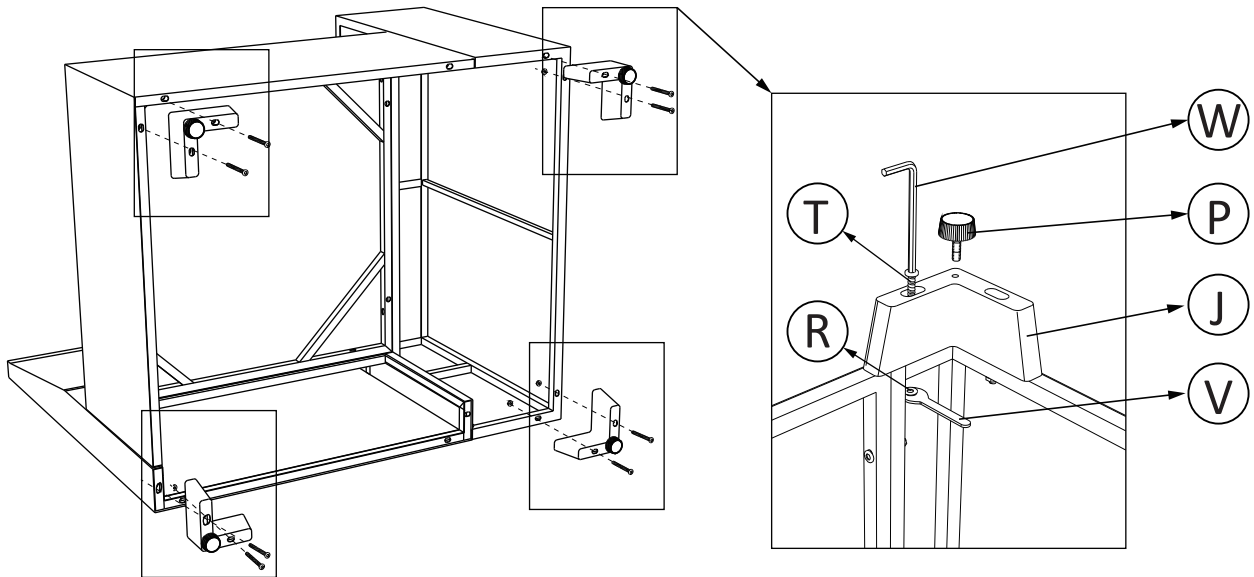
Assemble Arm Part (E).
NOTE: Please tighten the screws completely.





Step 3

Assemble the High L-Shaped Feet (J) around the bottom of the sofa using the bolts (T) and nuts (P) and screw the adjusting screws (P) into (J).

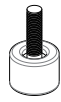


(J) × 4



Bolt M6×60

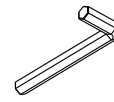
(T) × 8



(P) × 4



(R) × 8



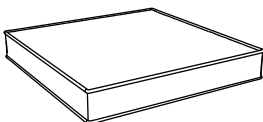
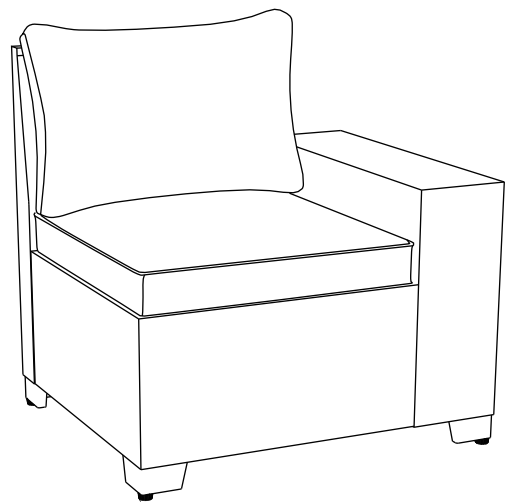
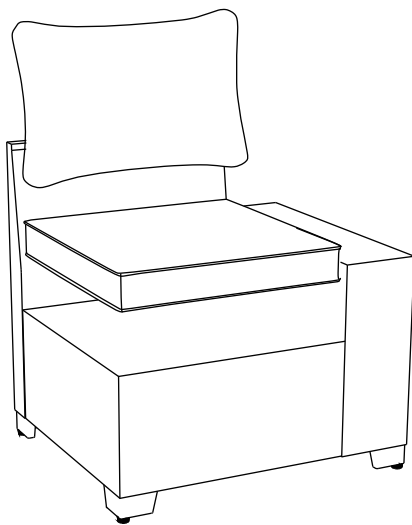
(W) × 1



(V) × 1

Step 4

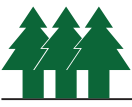
Place the seat cushion (L) and back cushion (M) on the sofa.



(L) × 1

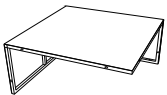
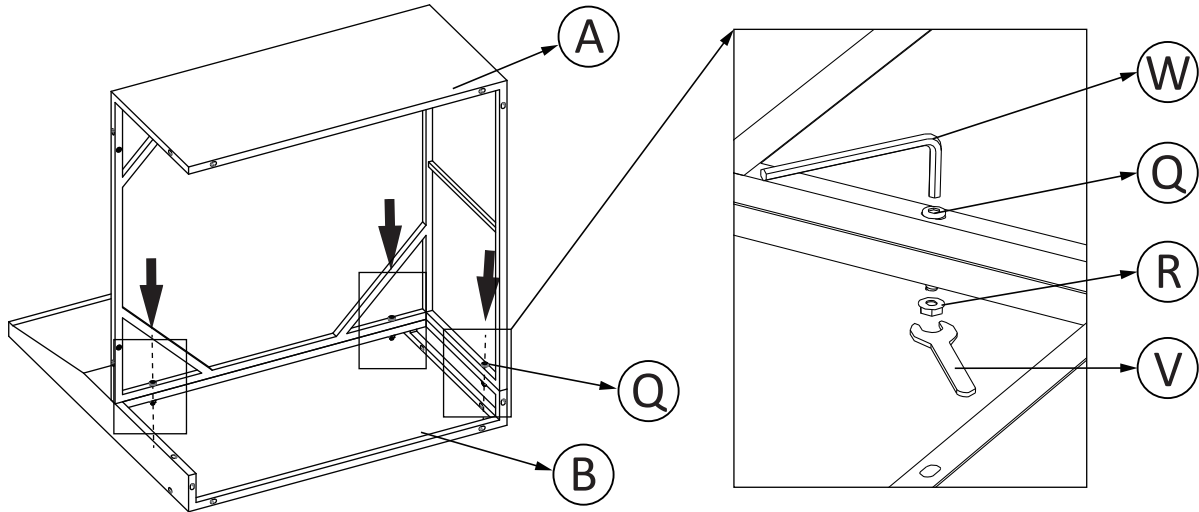


(M) × 1

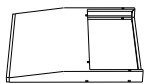


Step 1

Assemble the Middle Sofa Back Part (B) and the Sofa Seat Part (A) using the bolts (Q) and the nuts (R).
NOTE: Don't tighten it.



(A) × 1



(B) × 1

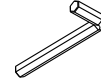


Bolt M6×50

(Q) × 3



(R) × 3



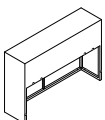
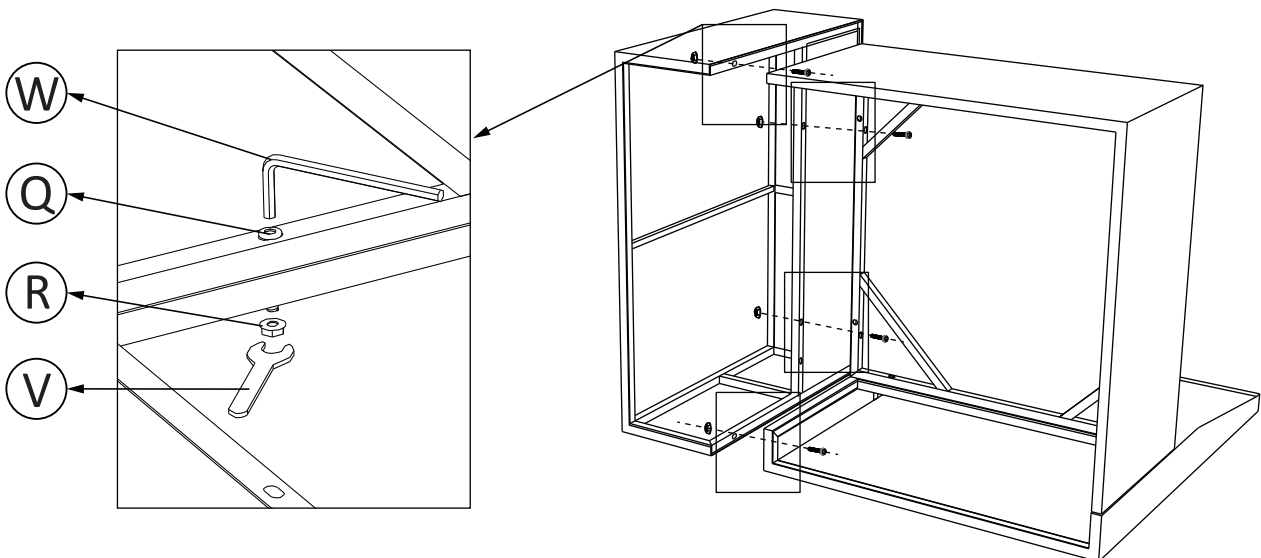
(W) × 1



(V) × 1

Step 2

Assemble Arm Part (E).
NOTE: Please tighten the screws completely.



(E) × 1

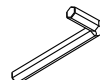


Bolt M6×50

(Q) × 4



(R) × 4



(W) × 1

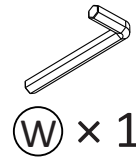
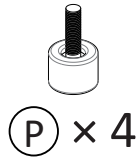
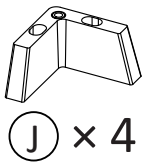
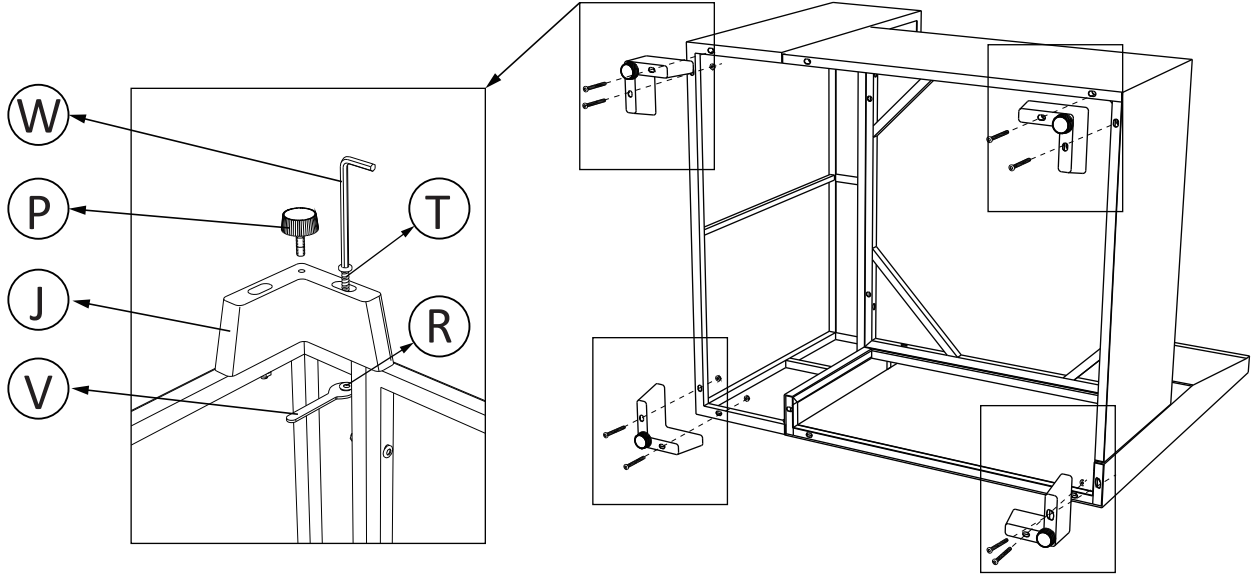


(V) × 1



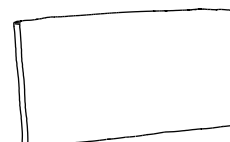
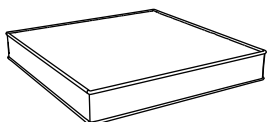
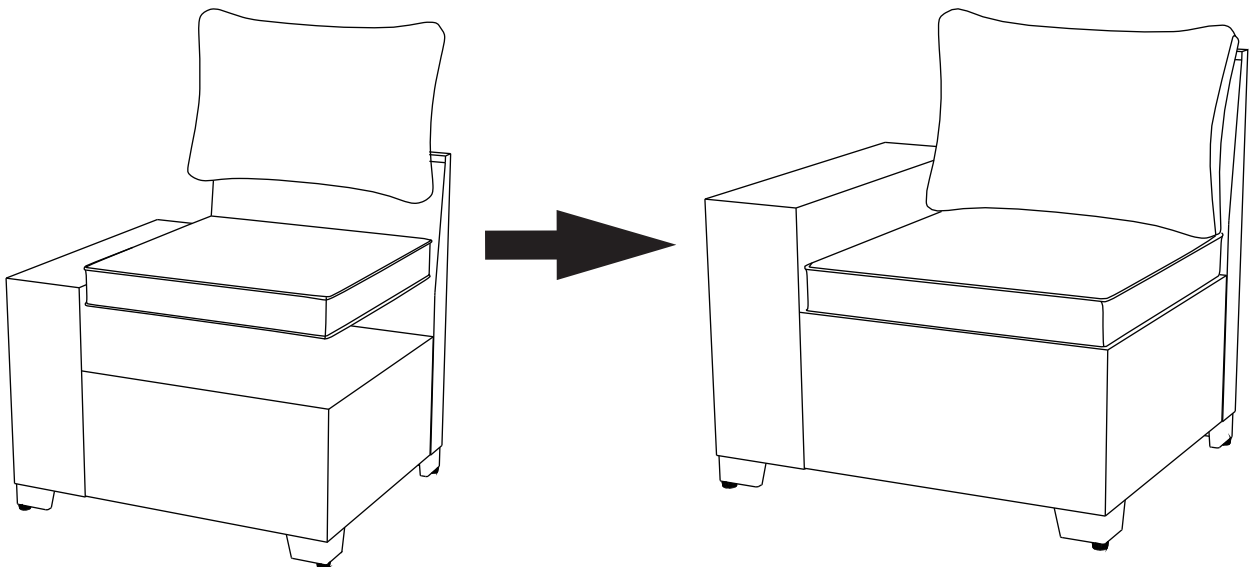
Step 3

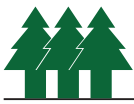
Assemble the High L-Shaped Feet (J) around the bottom of the sofa using the bolts (T) and nuts (R) and screw the adjusting screws (P) into (J).



Step 4

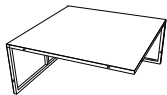
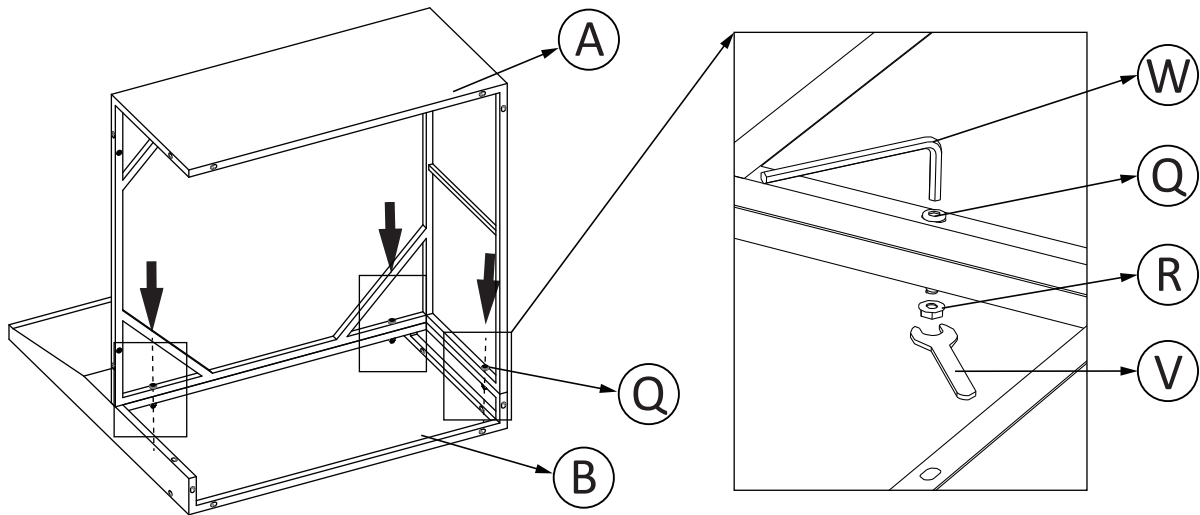
Place the seat cushion (L) and back cushion (M) on the sofa.



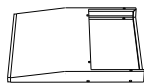


Step 1

Assemble the Middle Sofa Back Part (B) and the Sofa Seat Part (A) using the bolts (Q) and the nuts (R).
NOTE: Don't tighten it.



(A) × 1



(B) × 1

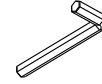


Bolt M6×50

(Q) × 3



(R) × 3



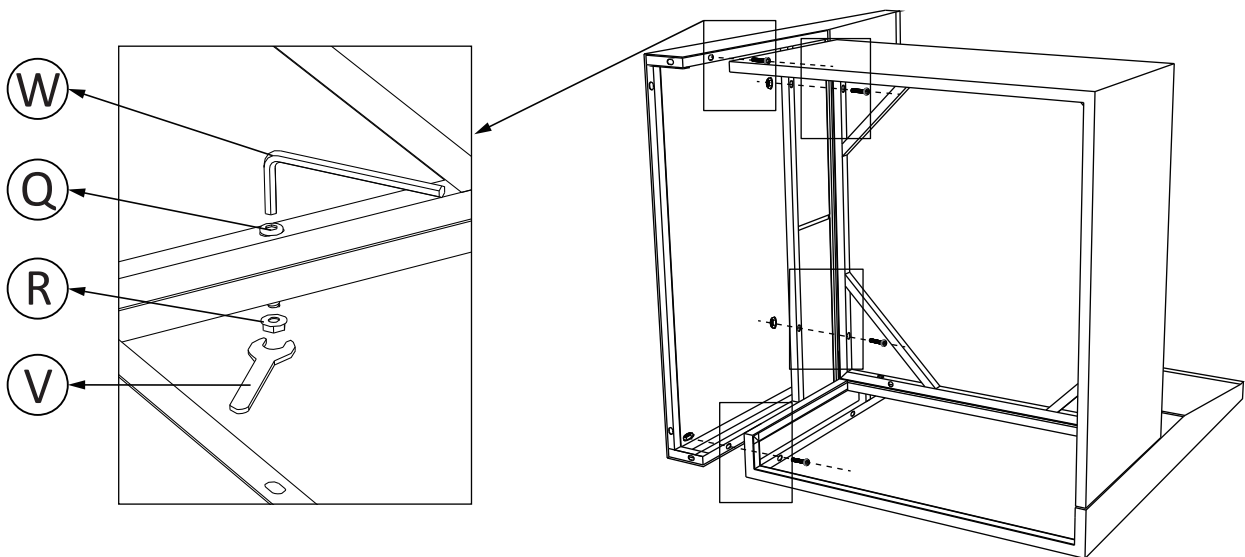
(W) × 1



(V) × 1

Step 2

Corner Sofa Long Back Part (D).
NOTE: Please tighten the screws completely.



(D) × 1



Bolt M6×50

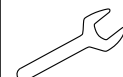
(Q) × 4



(R) × 4



(W) × 1

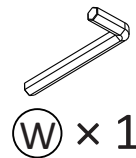
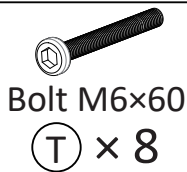
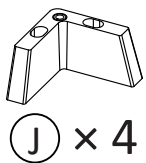
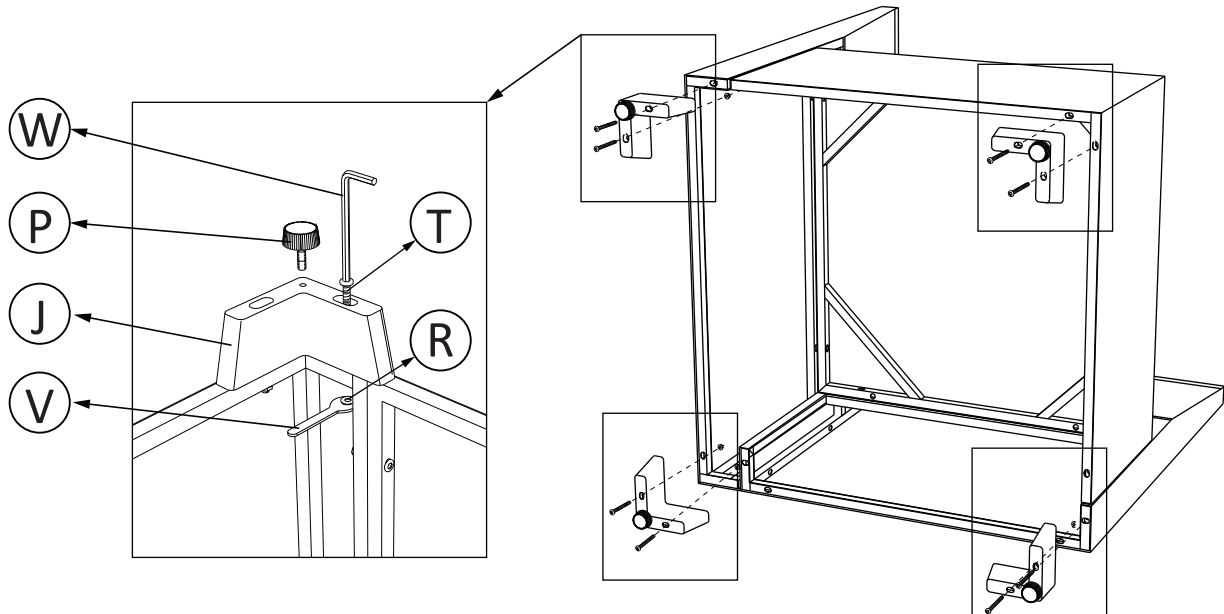


(V) × 1



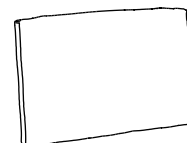
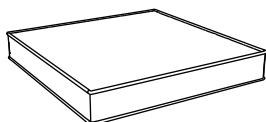
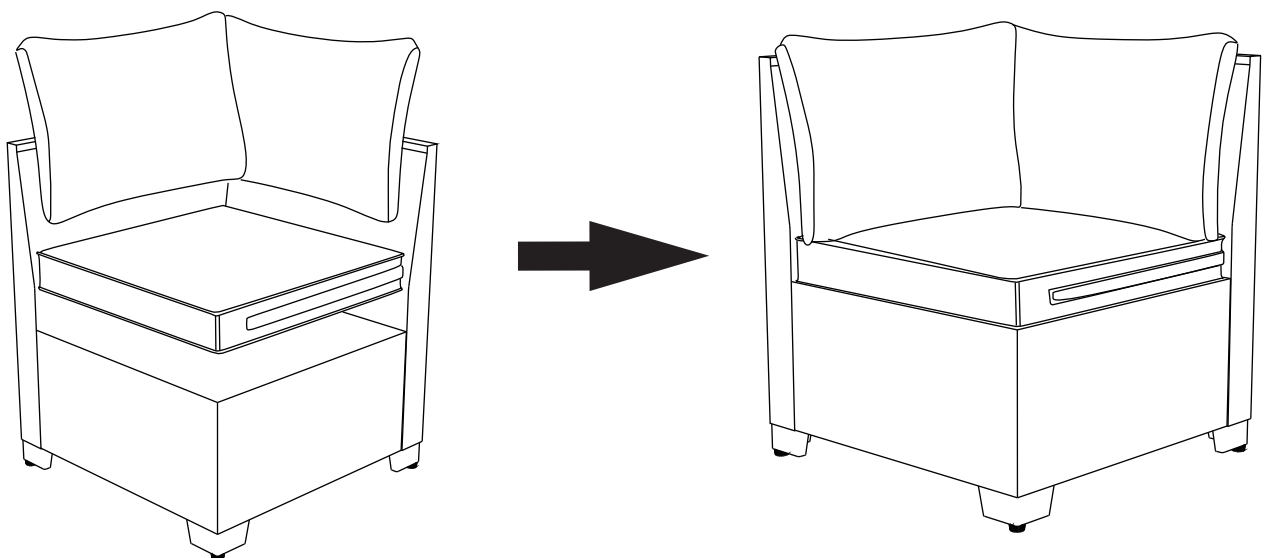
Step 3

Assemble the High L-Shaped Feet (J) around the bottom of the sofa using the bolts (T) and nuts (R) and screw the adjusting screws (P) into (J).



Step 4

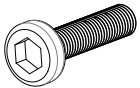
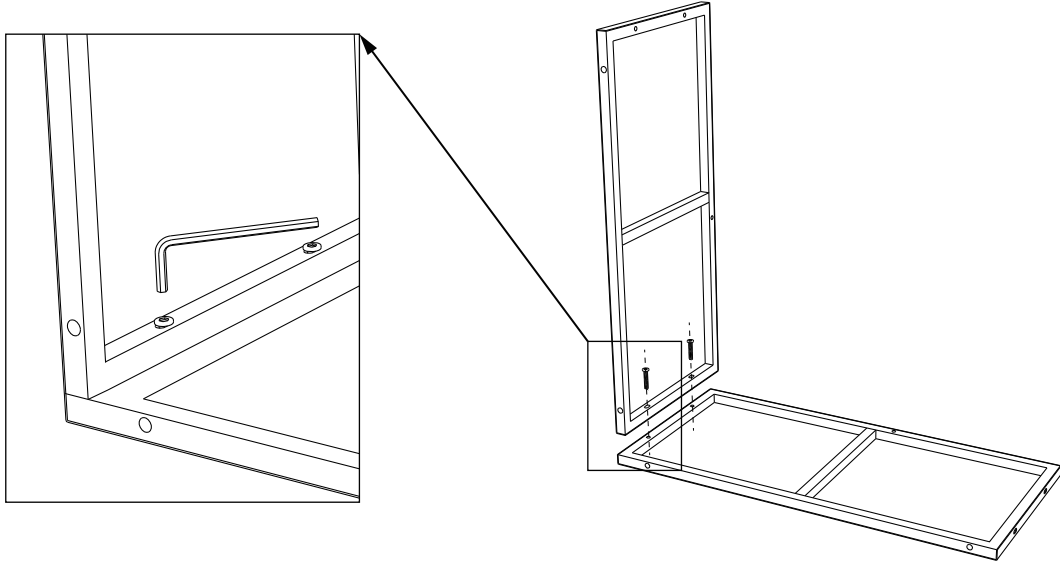
Place the seat cushion (L) and back cushion (M) on the sofa.





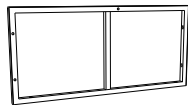
Step 1

Assemble the two Coffee Table Side Parts(F) with bolts (S).
NOTE:Don't tighten it.

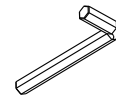


Bolt M6×35

(S) × 2



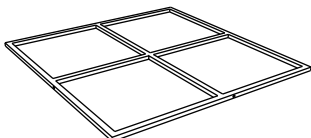
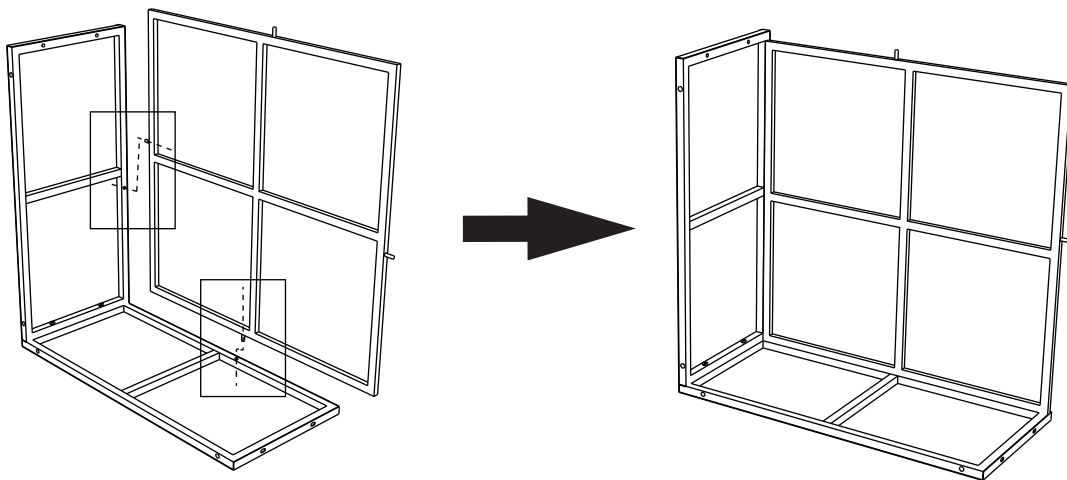
(F) × 2



(W) × 1

Step 2

Insert the Coffee Table Connector (H) into the mounted two Side Parts.

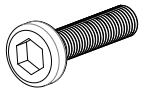
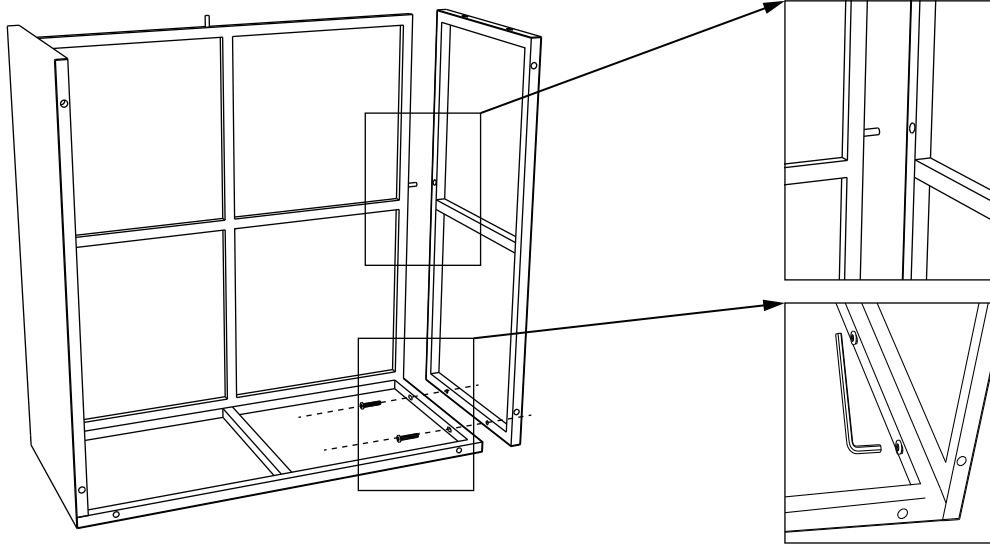


(H) × 1



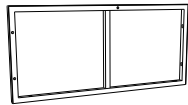
Step 3

Assemble one side Coffee Table Side Part (F) using bolt (S).
NOTE:Don't tighten it.

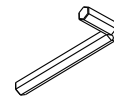


Bolt M6x35

(S) × 2



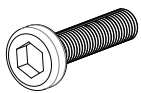
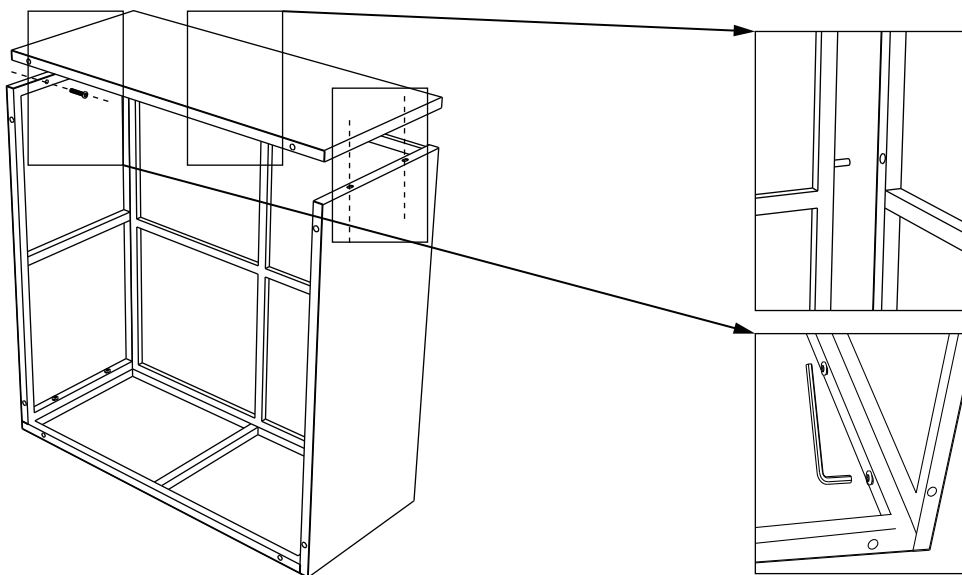
(F) × 1



(W) × 1

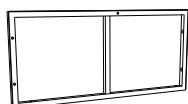
Step 4

Assemble one side Coffee Table Side Part (F) using bolt (S).
NOTE:Please tighten all bolts.

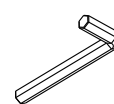


Bolt M6x35

(S) × 4



(F) × 1

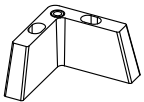
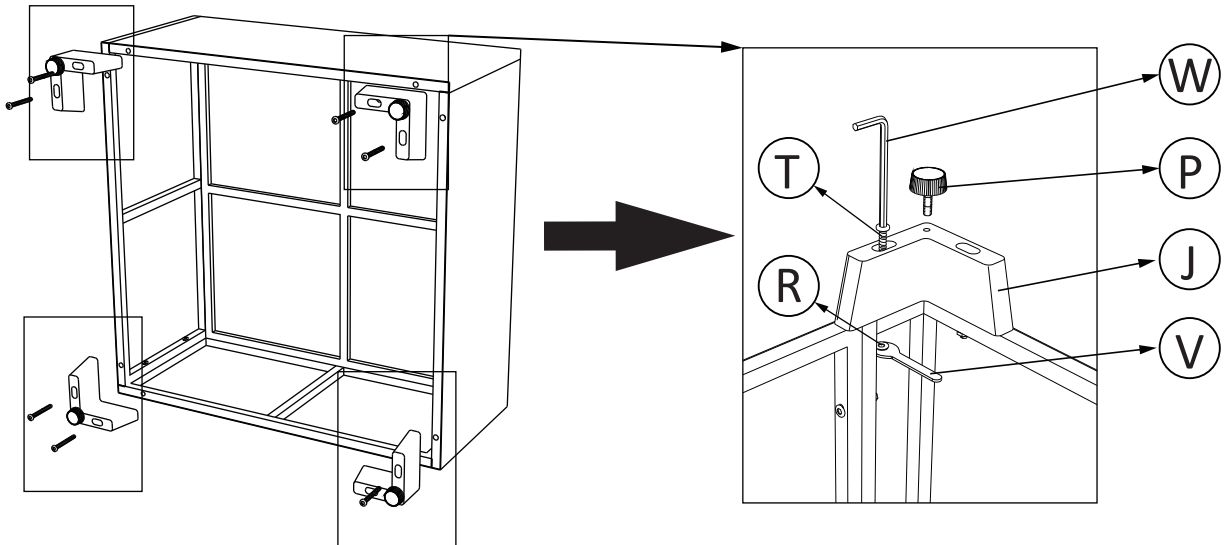


(W) × 1



Step 5

Assemble the High L-Shaped Feet (J) around the bottom of the coffee table using the bolts (T) and nuts (P) and screw the adjusting screws (P) into (J).

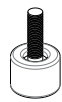


(J) × 4



Bolt M6×60

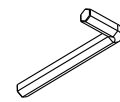
(T) × 8



(P) × 4



(R) × 8



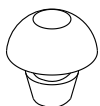
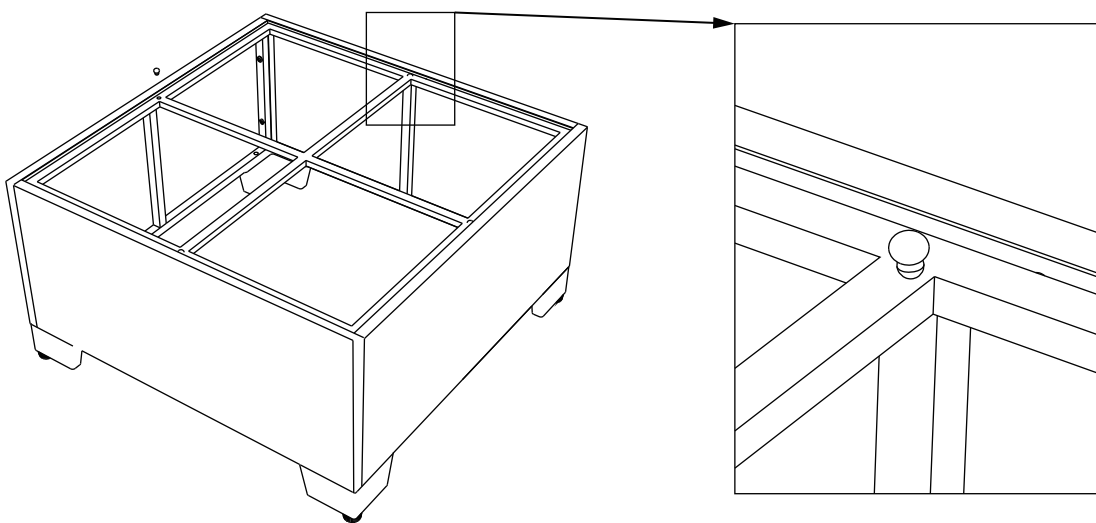
(W) × 1



(V) × 1

Step 6

Install the Glass Mat (X) in the upper hole of the Coffee Table Connection (H).

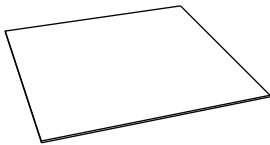
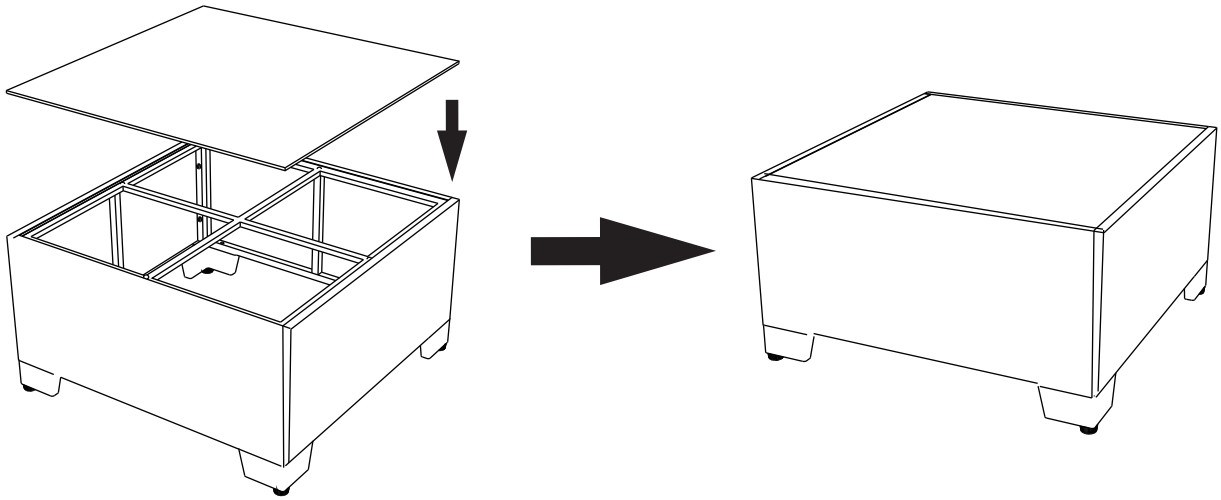


(X) × 4

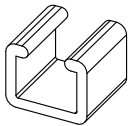


Step 7

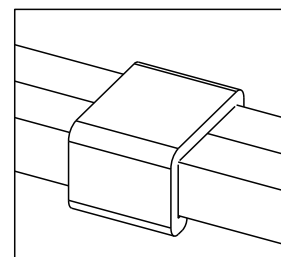
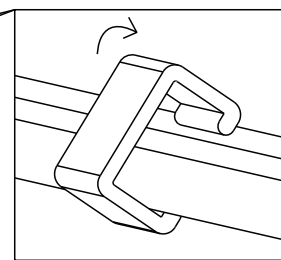
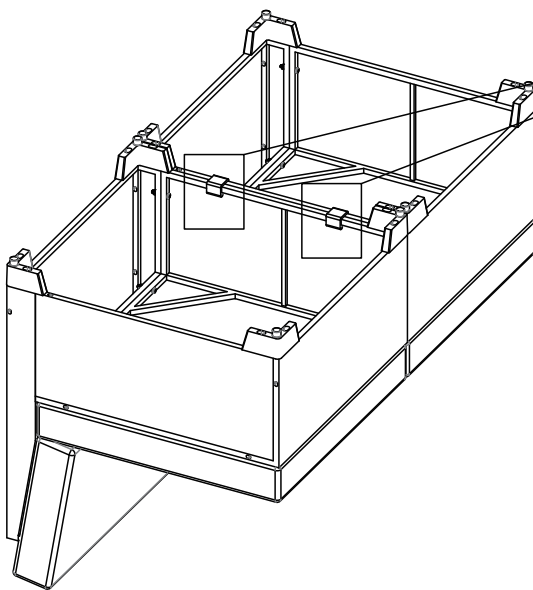
Finally, place the Coffee Table Glass (G) on the Coffee Table Connection (H).



ⓐ × 1



U-shapped connector instructions



Notice:
Do not use tools such as hammers;
You can scald it with hot water to soften it.



Maintenance and Care

Cleaning

For the rattan frame, use a damp cloth to clean off dust, dirt, or stains. Avoid using harsh chemicals, abrasive cleaners, or scrubbers.

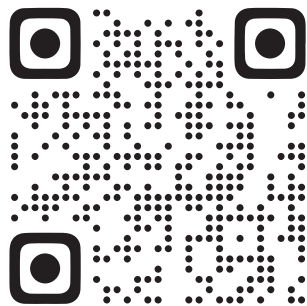
For the cushions and pillows, follow the care instructions on the covers. Wash removable covers in cold water, and for non-removable covers, spot clean with mild soap and water.

Storage

If the sofa set is not in use for extended periods, cover the furniture or store it indoors in a dry, cool location to prevent damage from weather or dirt.

Inspection:

Regularly check the furniture for any loose parts, wear, or damage. Tighten screws and bolts as needed, and replace any damaged components promptly.



Scan the QR code to learn more about our product.