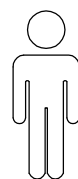
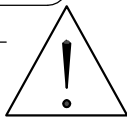
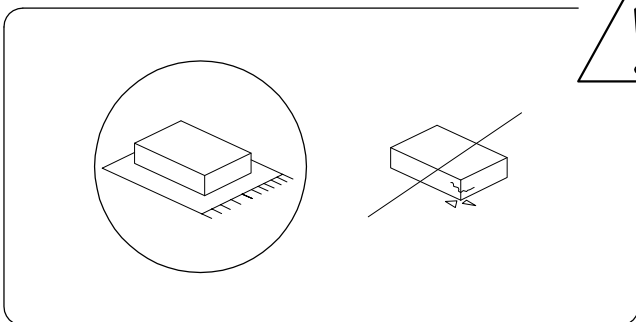
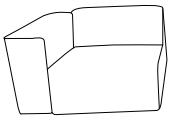
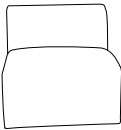
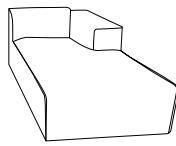
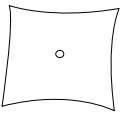
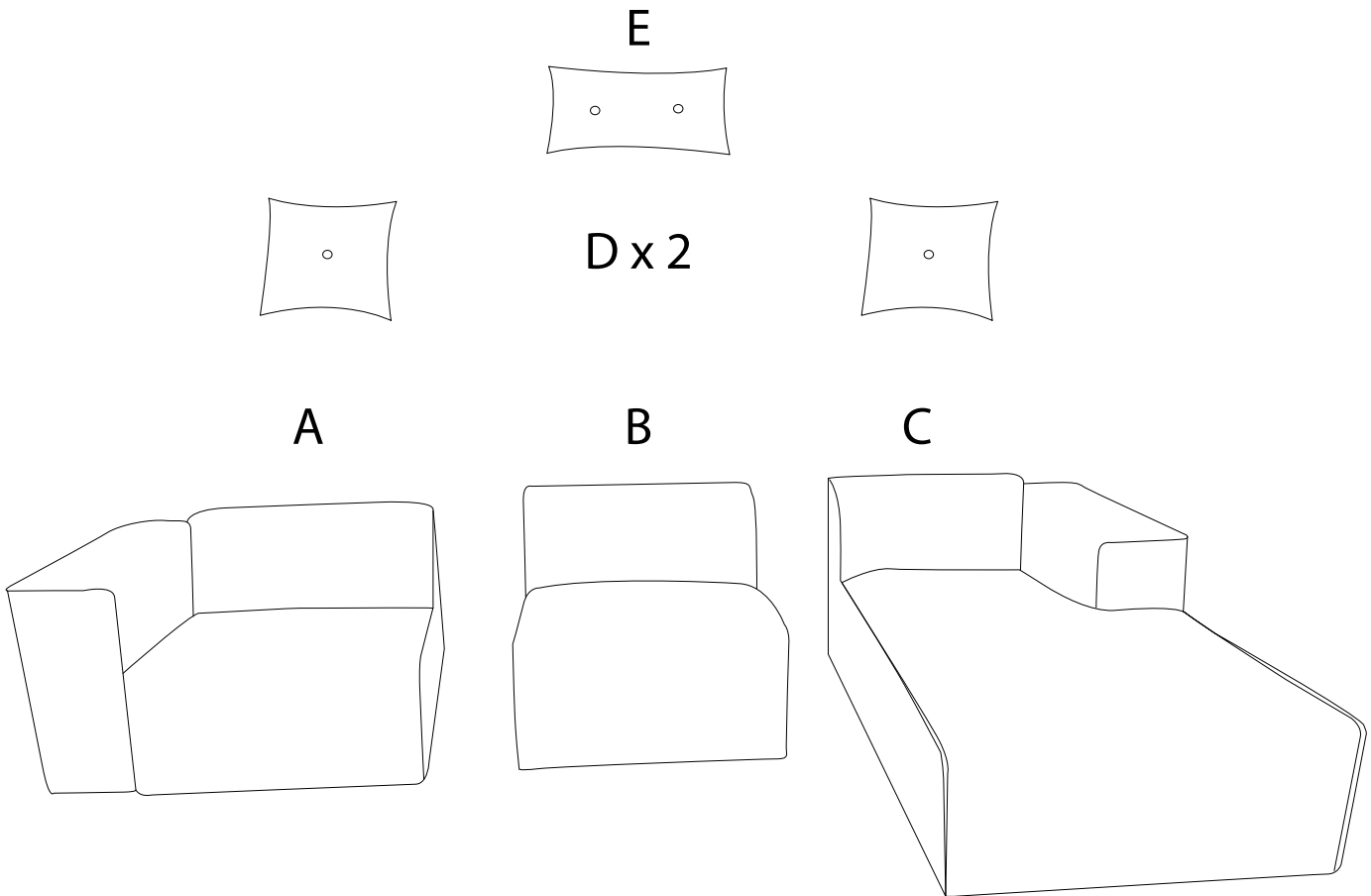


25'

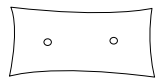
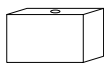

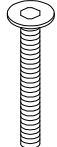
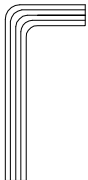


2

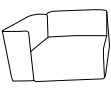
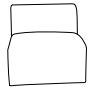
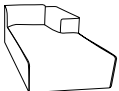
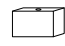

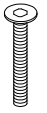
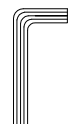
A	B	C	D
			
x1	x1	x1	x2

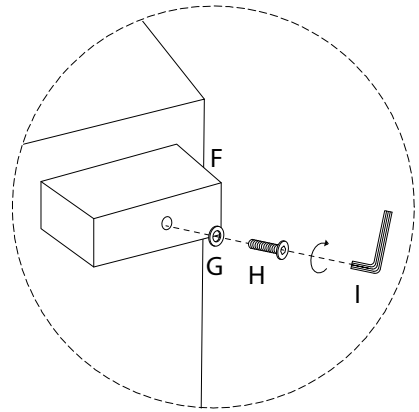
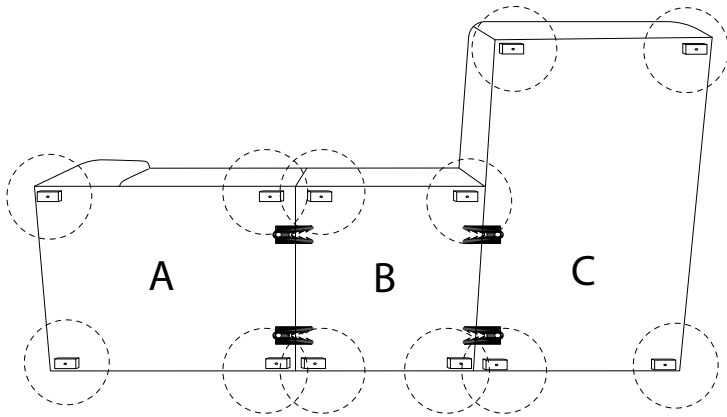


 **F x 12**

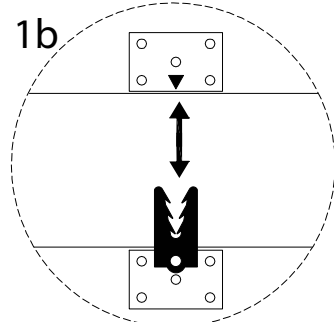
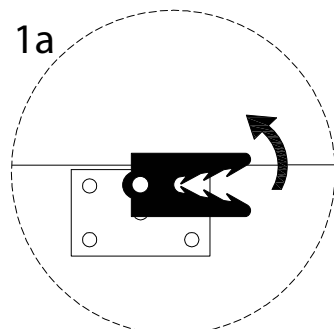
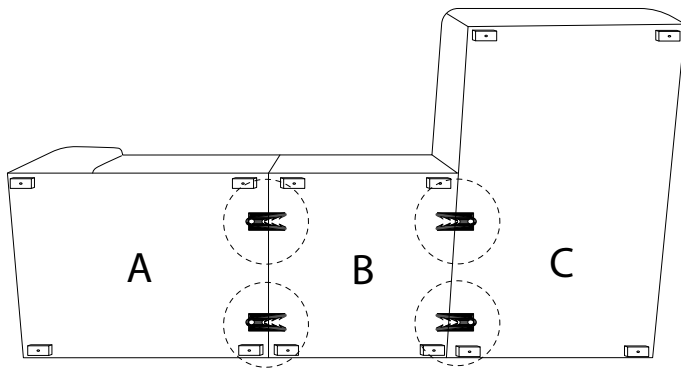
E	F	G	H	I
			 M8 x 43	
x1	x12	x12	x12	x1

1

A  x1	B  x1	C  x1	F  x12	G  x12	H  x12	I  x1
---	---	---	--	---	--	---



2



3

