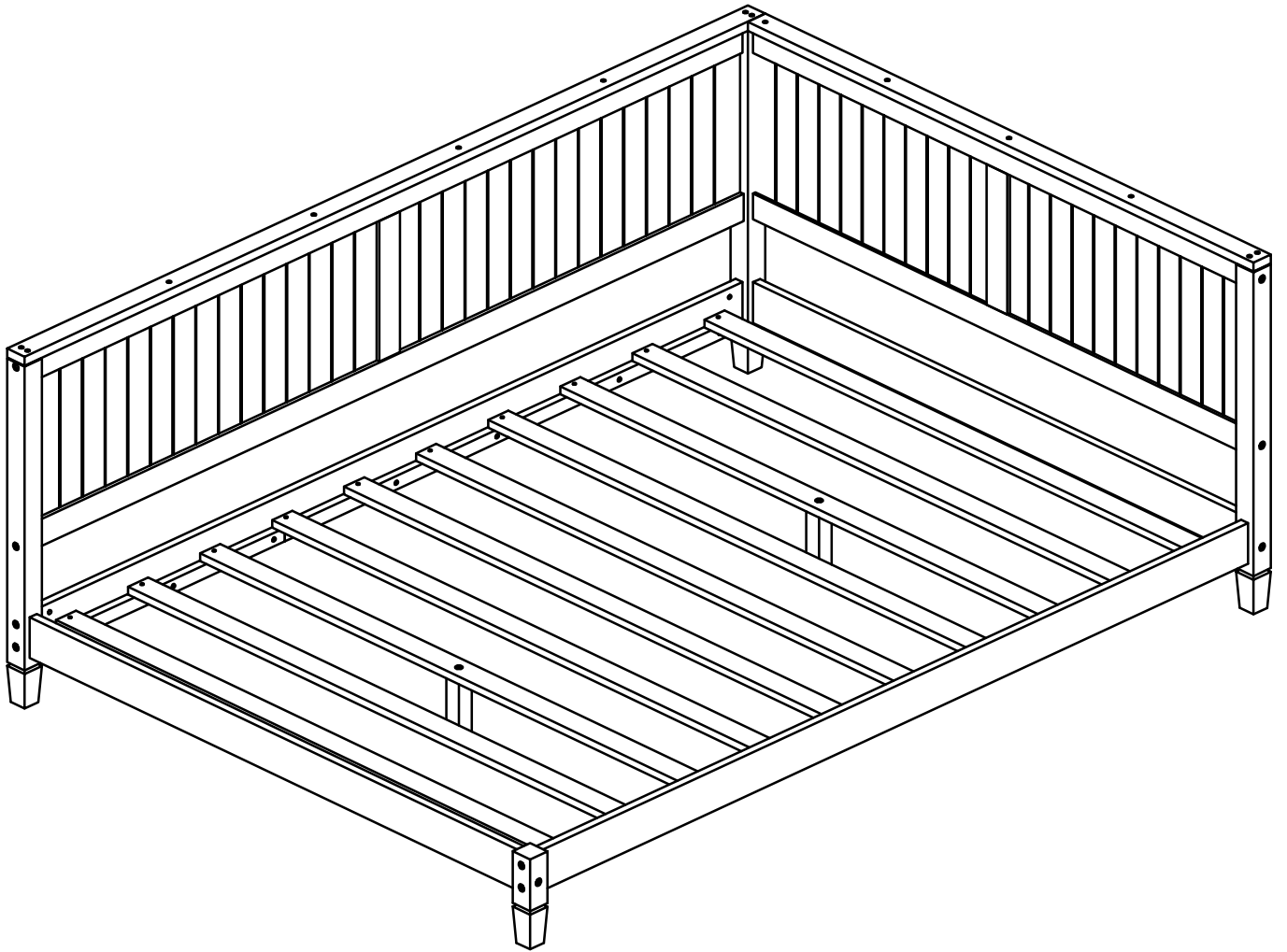
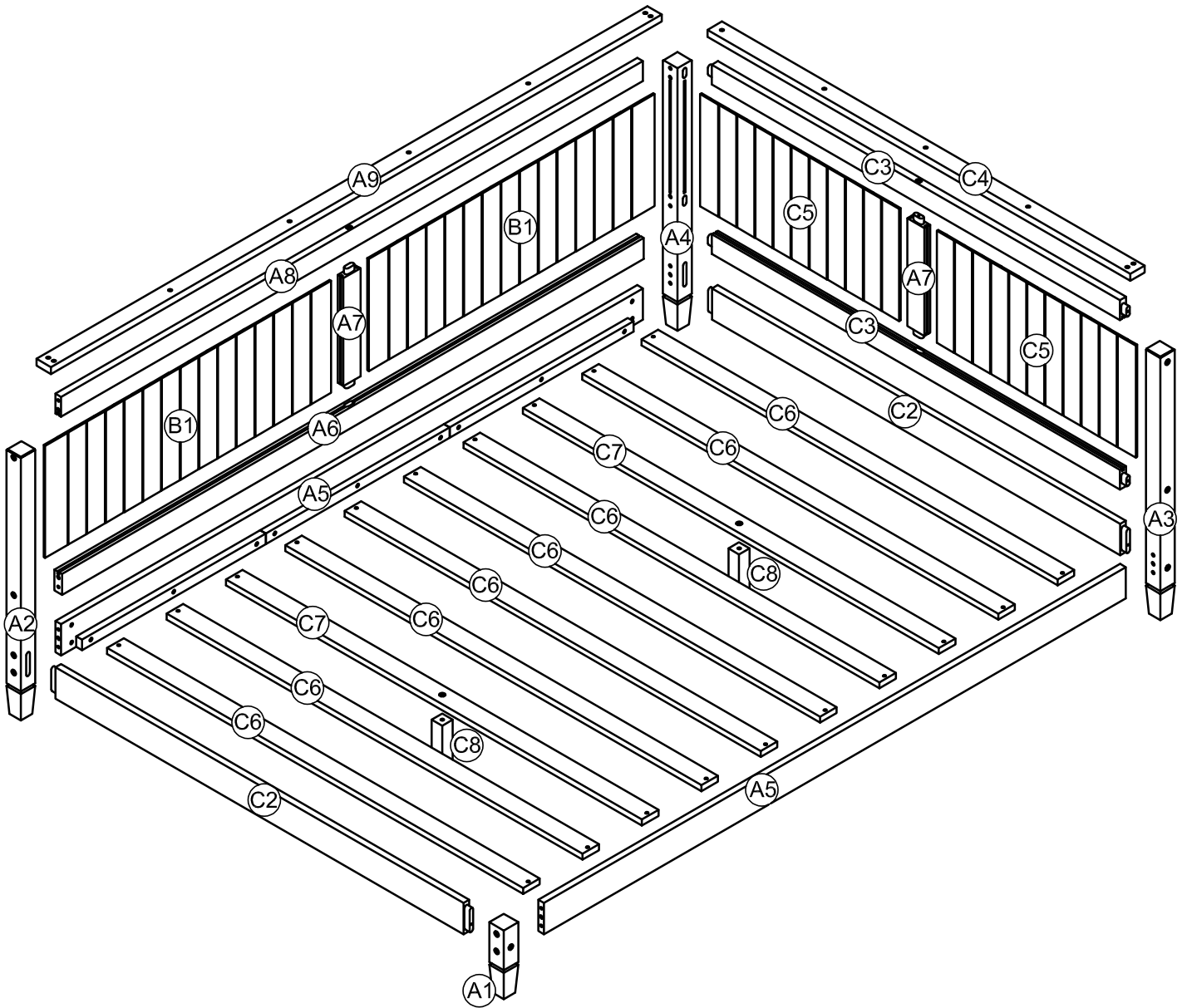






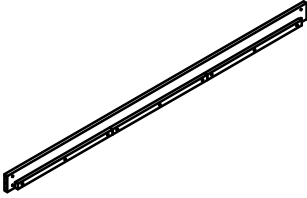
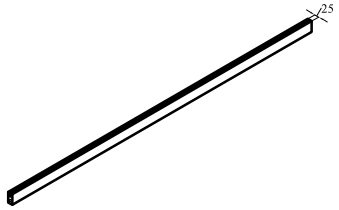

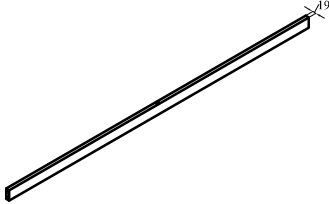
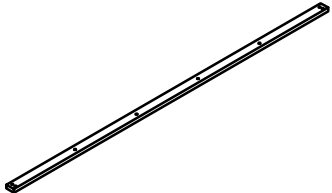
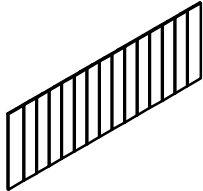
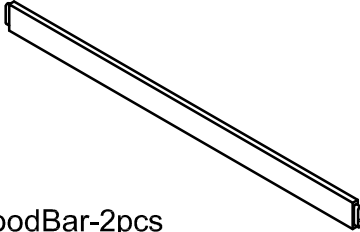

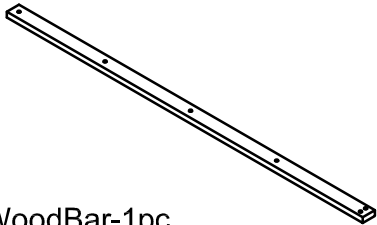
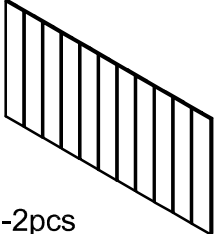
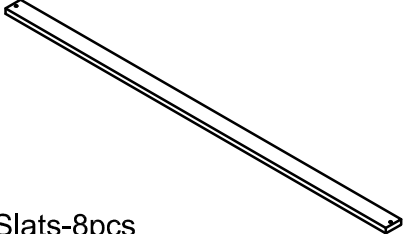
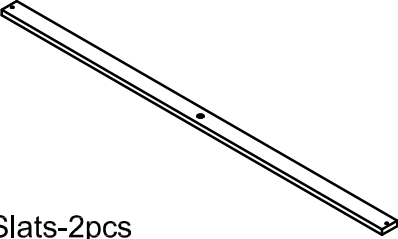

ASSEMBLY INSTRUCTION



ASSEMBLY INSTRUCTION

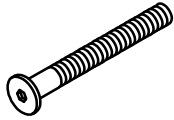


Part List & Hardware List (

<p>A1</p>  <p>Leg-1pc</p>	<p>A2</p>  <p>Leg-1pc</p>	<p>A3</p>  <p>Leg-1pc</p>
<p>A4</p>  <p>Leg-1pc</p>	<p>A5</p>  <p>Side Rail-2pcs</p>	<p>A6</p>  <p>WoodBar-1pc</p>
<p>A7</p>  <p>WoodBar-2pcs</p>	<p>A8</p>  <p>WoodBar-1pc</p>	<p>A9</p>  <p>WoodBar-1pc</p>
<p>B1</p>  <p>Panel-2pcs</p>	<p>C2</p>  <p>WoodBar-2pcs</p>	<p>C3</p>  <p>WoodBar-2pcs</p>
<p>C4</p>  <p>WoodBar-1pc</p>	<p>C5</p>  <p>Panel-2pcs</p>	<p>C6</p>  <p>Slats-8pcs</p>
<p>C7</p>  <p>Slats-2pcs</p>	<p>C8</p>  <p>WoodBar-2pcs</p>	

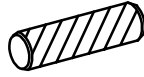
Hardware List

1



Ø1/4" x 100 mm
Hex-Head bolts 12pcs

2



Ø10 x 40 mm
Wood dowel 8pcs

3



Screws 1/4" x60
8pcs

4



Ø1/4" x 13 mm
Horizontal-Hole bolts 12pcs

5



Allen Key 1pc

6



M4 x 30 mm
Wood Screws 20pcs

7



M4 x 35 mm
Wood Screws 14pcs

8

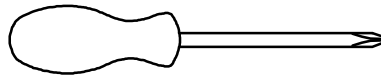


Screws 1/4" x70
4pcs

9



Ø1/4" x 30 mm
Hex-Head bolts 2pcs



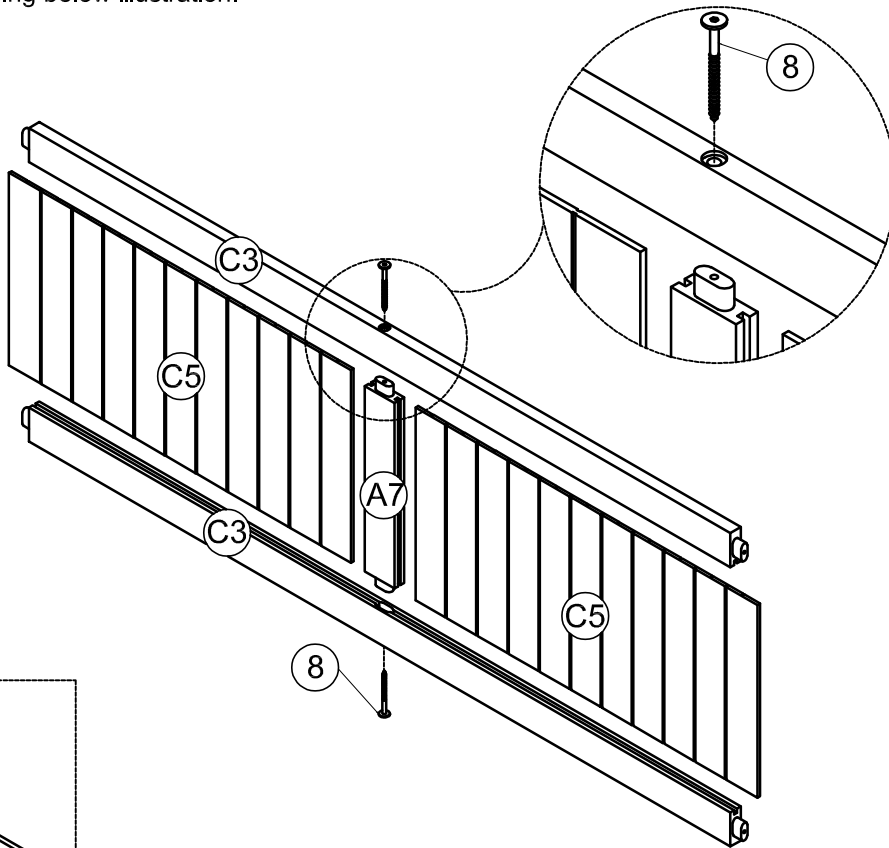
Assembly Tools Required (Not Included)

STEP1: Following below illustration.

8



2(pcs)

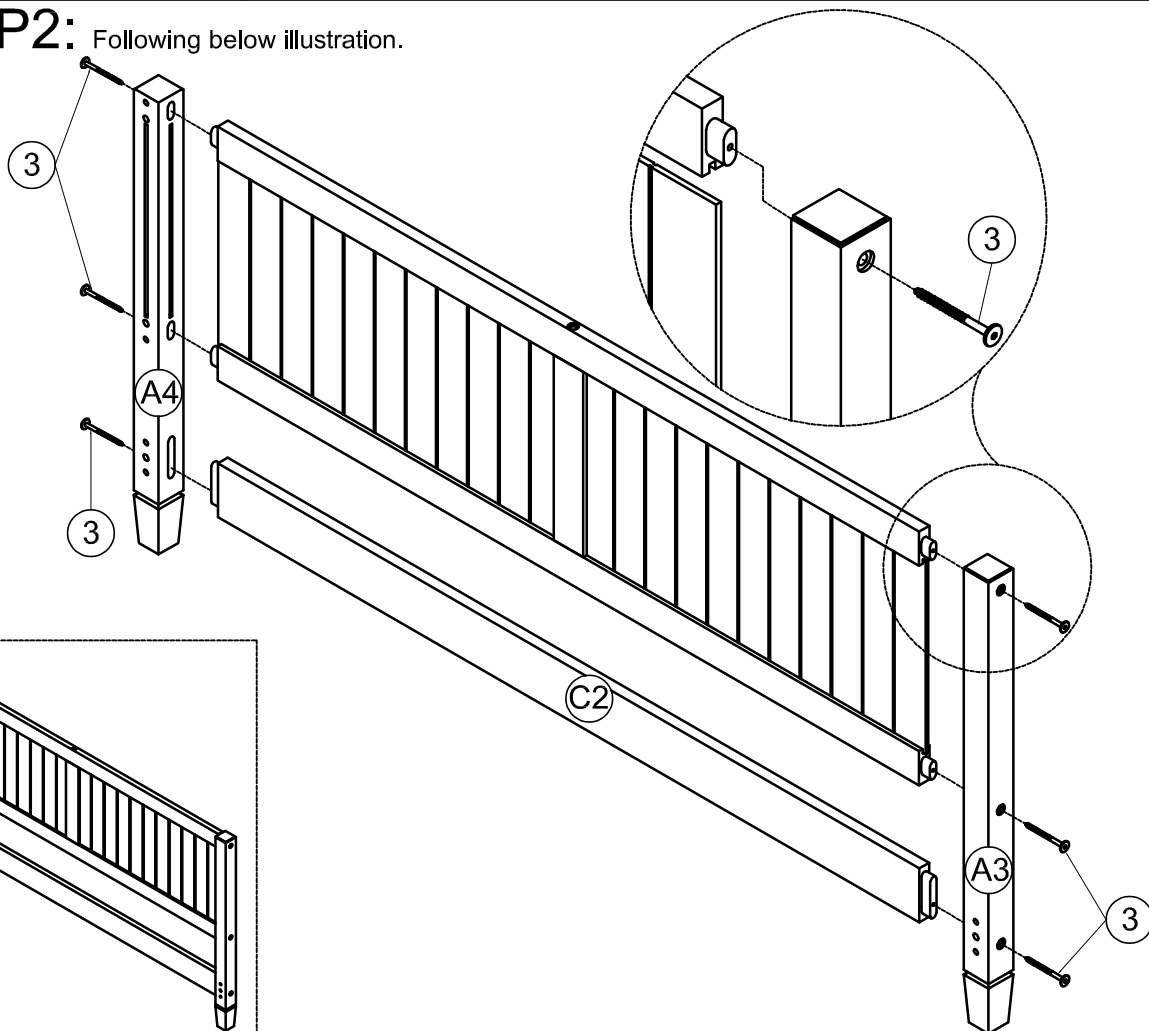


STEP2: Following below illustration.

3



6(pcs)

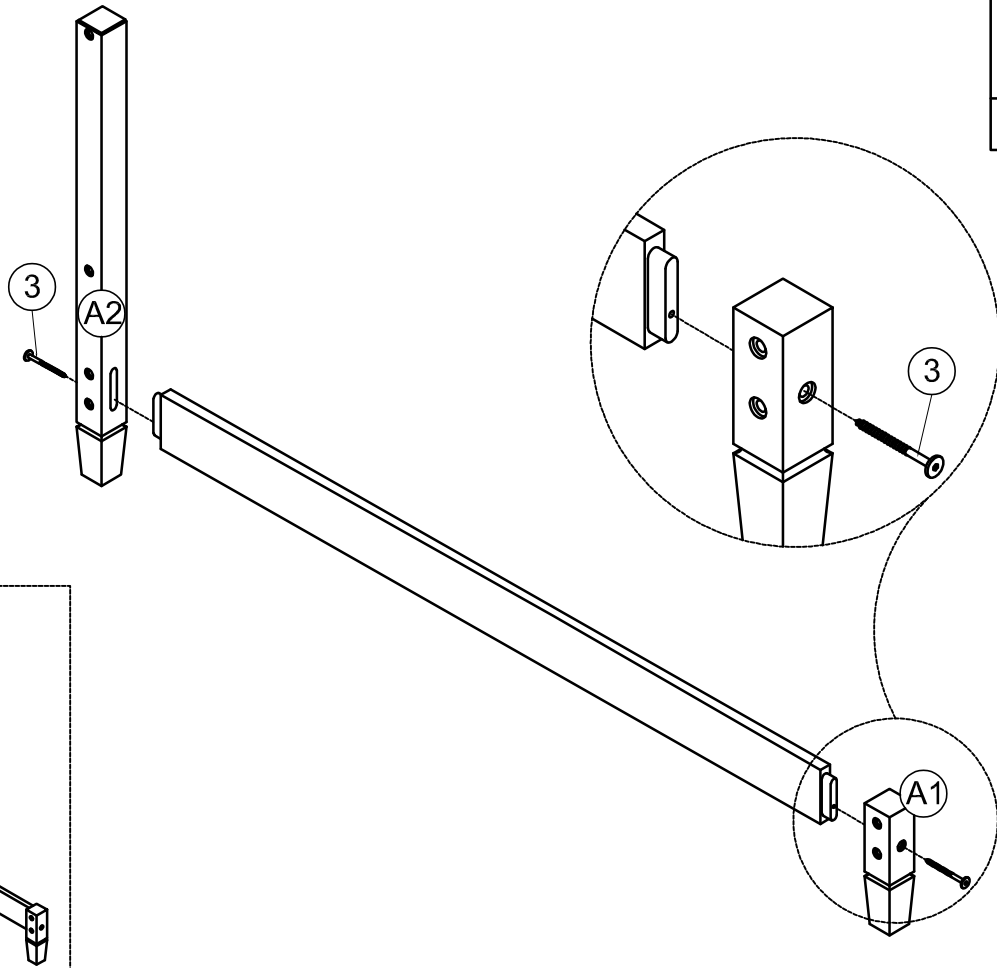


STEP3: Following below illustration.

3



2(pcs)

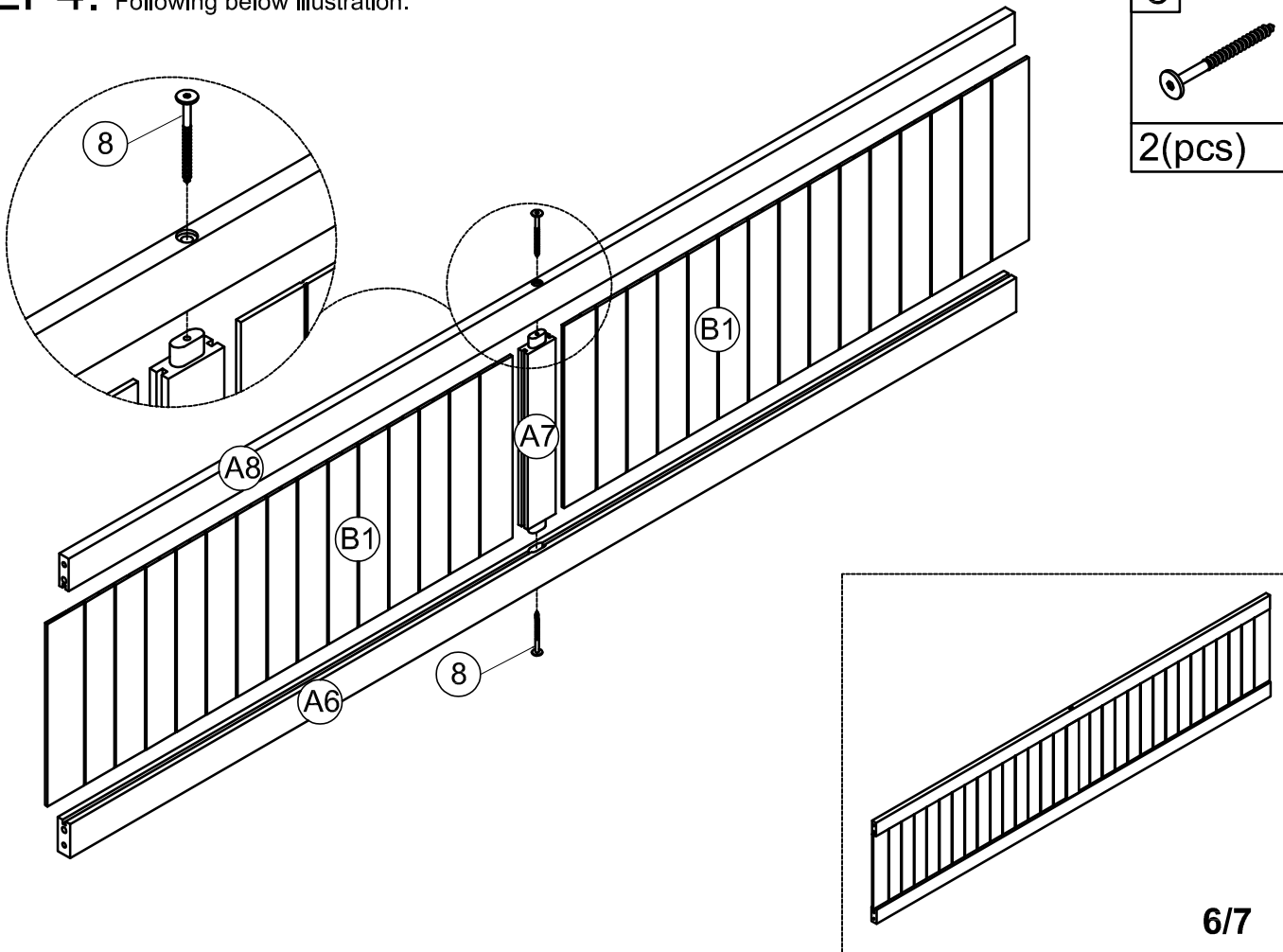


STEP4: Following below illustration.

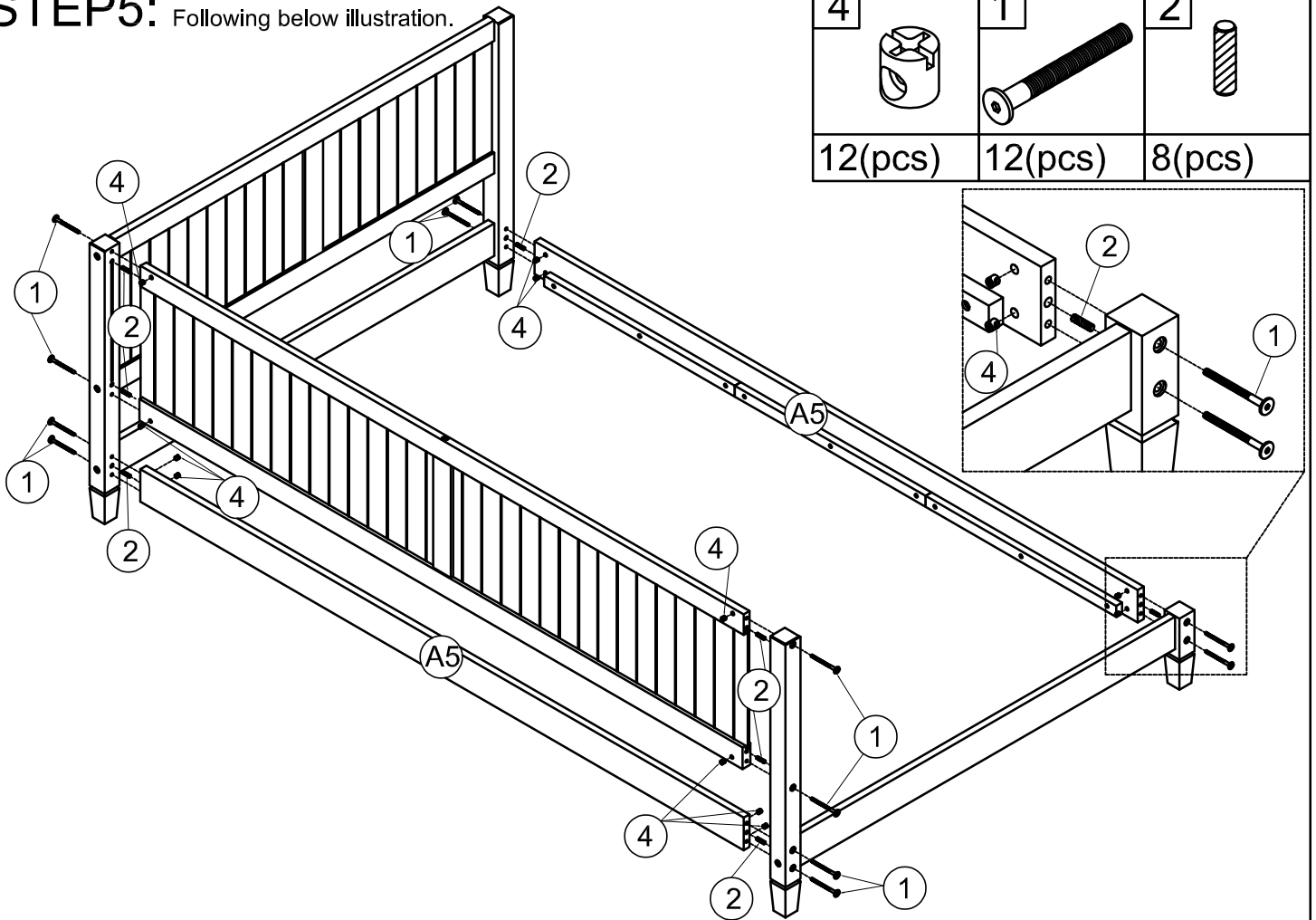
8


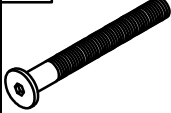



2(pcs)

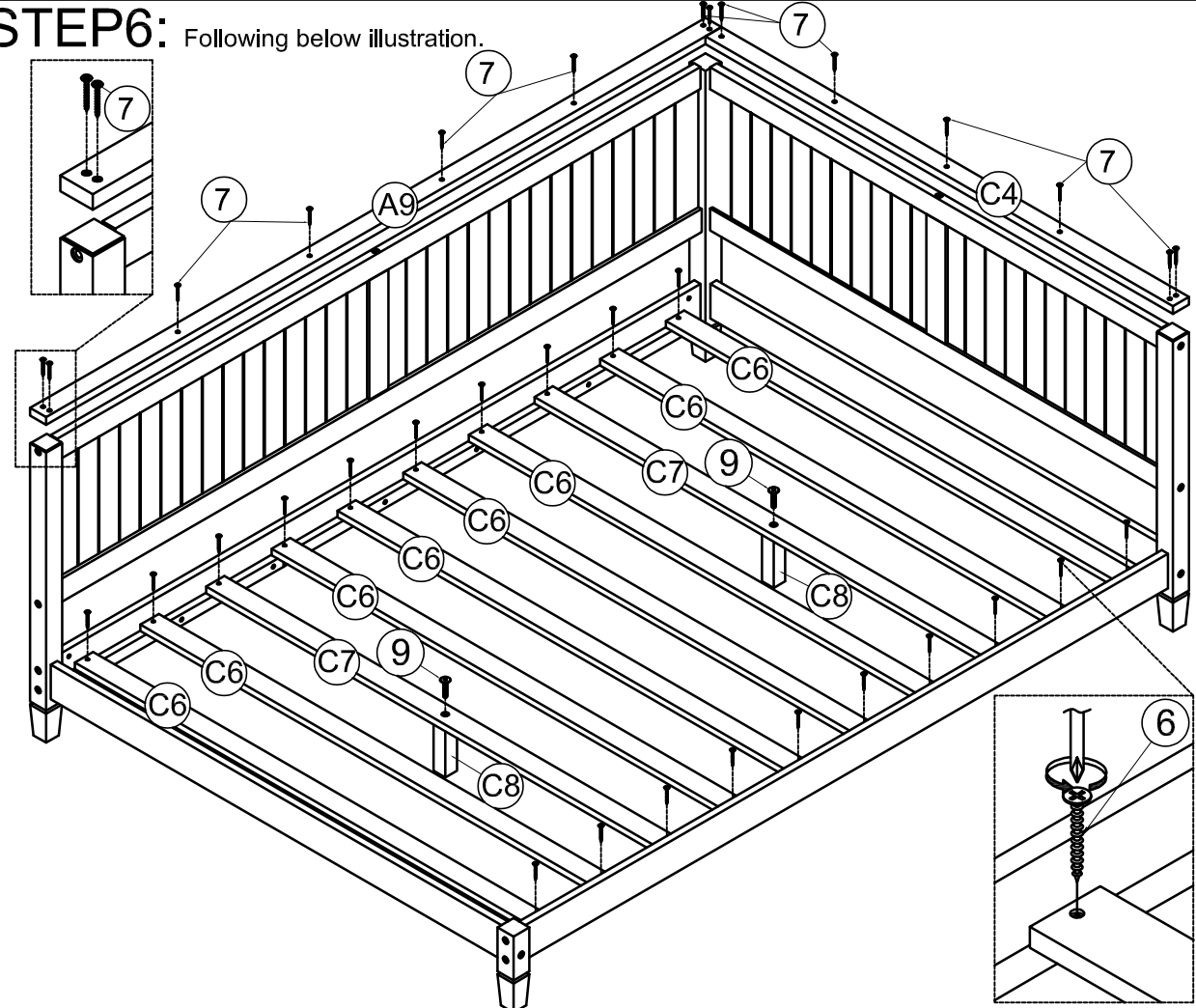


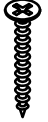


STEP5: Following below illustration.



4	1	2
		
12(pcs)	12(pcs)	8(pcs)

STEP6: Following below illustration.



6	
20(pcs)	
7	
14(pcs)	
9	
2(pcs)	