

**INSTALLATION MANUAL**

# **DISHWASHER**

## **KOS-DWH MODELS**

**KOS-24DWH06H-S | KOS-24DWH06H-W**

**KOS-24DWH06H-W | KOS-24DWH06H-R**

# **KOSTCH**

# INSTALLATION MANUAL

# **DISHWASHER**

Please read these instructions thoroughly before installing and operating the dishwasher.

# TABLE OF CONTENTS

---

- 1 Important Safety Instructions
- 2 Parts Provided
- 3 Dishwasher Specifications
- 4 Step 1: Prepare Cabinet Opening
- 5 Step 2: Prepare Electrical Wiring
- 5 Step 3: Paste The Film
- 5 Step 4: Remove toe kick
- 5 Step 5: Connect Water Supply Line And Drain Hose
- 6 Step 6: Slide Dishwasher Into Cabinet
- 6 Step 7: How To Adjust Leg
- 7 Step 8: Secure Dishwasher To The Countertop
- 8 Step 9: Drain Line Connection
- 9 Step 10: Electrical Power Connection
- 9 Step 11: Final Check

Please read this guide thoroughly before installation.

## IMPORTANT SAFETY INSTRUCTIONS

### WARNING

When installing and using your dishwasher, follow basic precautions, including the following:

- Disconnect electrical power before you start!  
All electrical wiring and grounding must be done in accordance with nation and local codes.
- If electrical supply is damaged, it must only be replaced by the manufacturer or its service agent or a similar qualified person in order to avoid a hazard.
- This dishwasher must be connected to a hot water supply between 120°F(49C) and 149°F(65°C).
- This temperature range provides the best washing results and shortest cycle time.
- Temperature should not exceed 149°F(65C) to prevent damage to dishes.
- This appliance must be positioned near to an electrical power supply. The appliance is to be connected to the water supply using new hoses. Old hoses should not be reused. Check the dishwasher for any damage before trying to install it.
- If you find any damage to the dishwasher, please contact your dealer or builder immediately.
- To reduce the risk of electric shock, fire, or injury to persons, the installer must ensure that the dishwasher is completely enclosed at the time of installation.

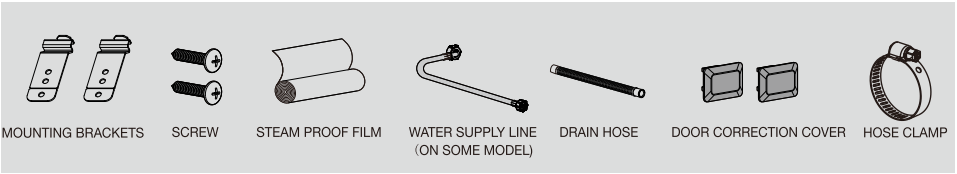
### GROUNDING INSTRUCTIONS

#### **For a permanently connected dishwasher:**

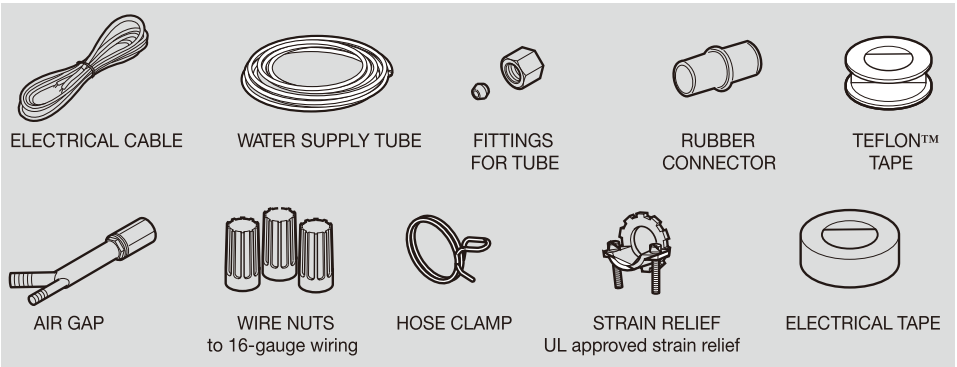
This appliance must be connected to a grounded metal, permanent wiring system, or an equipment-grounding conductor must be run with the circuit conductors and connected to the equipment-grounding terminal or lead on the appliance.

## 2 INSTALLATION INSTRUCTIONS

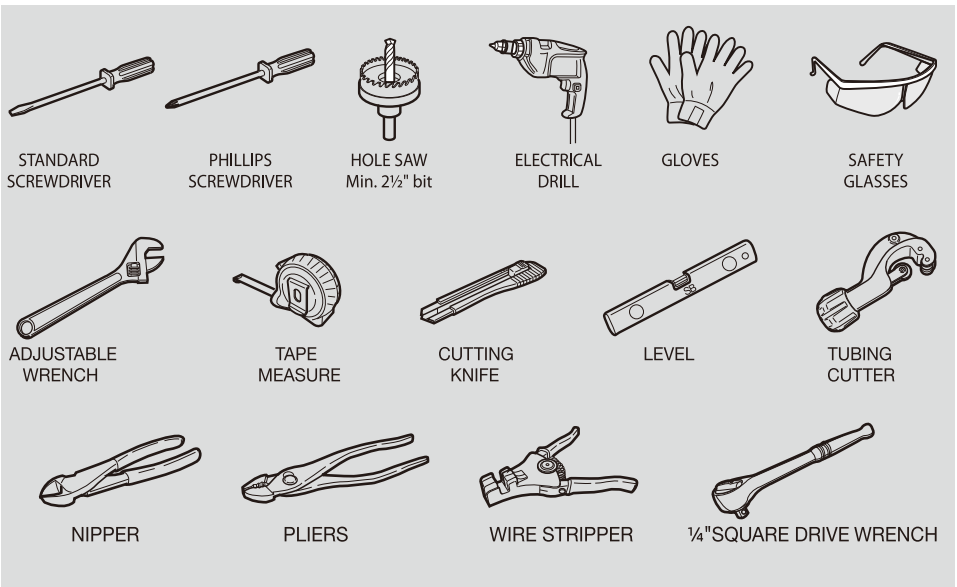
### PARTS PROVIDED



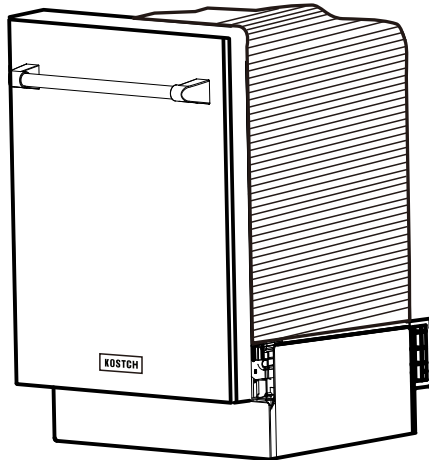
### MATERIALS YOU MAY NEED (not provided)



### TOOLS YOU MAY NEED



## DISHWASHER SPECIFICATIONS



The pictures are for reference only

### SPECIFICATIONS

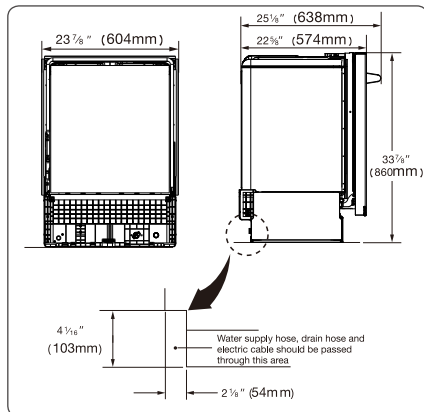
- Power supply :AC120V, 60Hz
- Water Pressure:0.04Mpa~1.0Mpa
- Product Dimension(WxDxH)  
23<sup>7</sup>/<sub>8</sub>" x25<sup>1</sup>/<sub>8</sub>" x33<sup>7</sup>/<sub>8</sub>"  
(604mmx638mmx860mm)
- Water Temperature:120°F(49°C)

Specifications are subject to change without notice.

### NOTE

The features on your dishwasher may vary from the illustrations shown.

### PRODUCT DIMENSIONS



## 4 INSTALLATION INSTRUCTIONS

These installation instructions are intended for use by Qualified Installers.

### STEP 1: PREPARE CABINET OPENING

1. This dishwasher is designed to fit a standard dishwasher opening as shown in FIG.1
2. Select a location as close to sink as possible for easy connections to water and drain lines.
3. To ensure proper drainage, the dishwasher should not be installed more than 10 ft.(3 m) from the sink.
4. If dishwasher is to be installed in a corner, a mini-mum of 2 in. (50 mm) is required between the dishwasher and an adjacent wall.
5. To allow for proper clearance of plumbing and electrical, use the template included with the literature to determine the clearance on the side of the cabinet where the cabinet meets the back wall. Using a 21/2" diameter hole saw, drill a hole in the target area as shown on the template.

**DO NOT USE AN EXISTING HOLE UNLESS IT IS IN THE TARGET AREA.**

#### NOTE

Failure to properly locate the hole for the water and drain lines may prevent the dishwasher from installing flush with the cabinets and could result in kinked or damaged lines. Installation damage is not covered by the warranty, and leaks caused by improper installation can result in property damage

FIG. 1

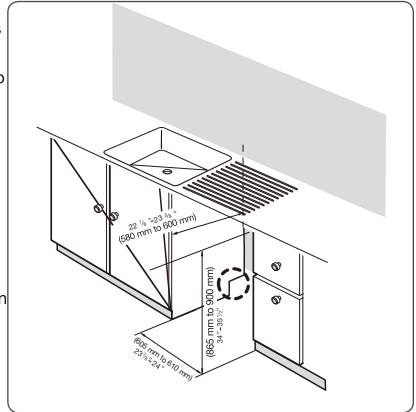
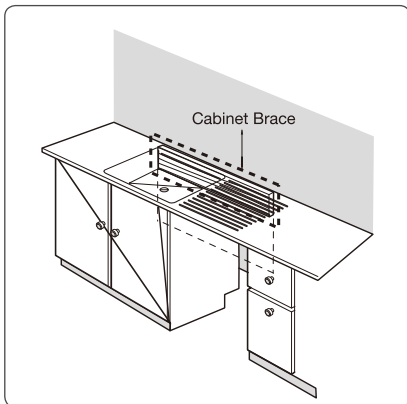


FIG. 2



For flush installations ONLY, you may remove the cabinet brace inside the cabinet.

FIG. 3



#### WARNING

**DON'T USE EXISTING HOLES UNLESS THEY ARE IN THE TARGET AREA.**

Otherwise, the Water Supply and Drain hose can be damaged by being crushed or kinked.

An opening may be needed on both sides to route plumbing and electrical connections.

These installation instructions are intended for use by Qualified Installers.

#### WARNING

For personal safety, remove house fuse or open circuit breaker before installation. Do not use an extension cord or adapter plug with this dishwasher. Electrical and grounding connections must comply with the National Electrical Code/provincial and municipal code and/or other local codes.

## STEP 2: PREPARE ELECTRICAL WIRING

1. The wiring or cord must be routed as shown in FIG. 4 .
2. Make sure electrical cable is oriented in the bottom channels as shown in the figure .

### ! NOTE

If at any time the dishwasher is laid on its back, take care not to damage the drain hose.

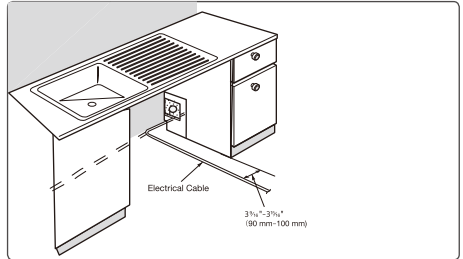


FIG. 4

These installation instructions are intended for use by Qualified Installers.

## STEP 3: PASTE THE FILM

- In order to prevent the steam generated when the machine opens the door from damaging the cabinet, you need to paste the steam proof film provided by the manufacturer on the top of the cabinet.
- As shown in the FIG.5.

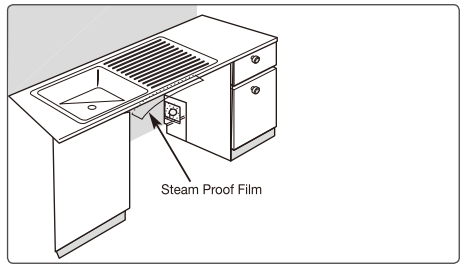


FIG. 5

## STEP 4: REMOVE TOE KICK

- Remove the two screws attaching the toe kick to the dishwasher.
- Remove the toe kick from the base.

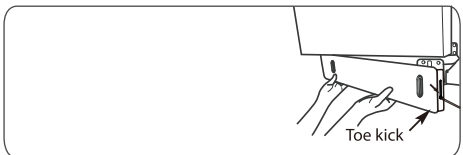


FIG. 6

## STEP 5: CONNECT WATER SUPPLY LINE AND DRAIN HOSE

**Make sure the house water supply is turned off before connecting the dishwasher water lines.**

1. Connect the water supply line and drain hose behind the machine.
2. When connecting the dishwasher water line, sealing tape or compound should be used on pipe threads to avoid leaks.
3. Tape or compound should not be used on compression fittings.

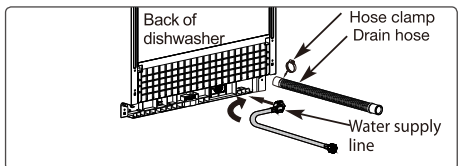


FIG. 7

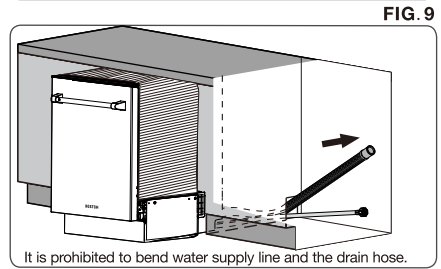
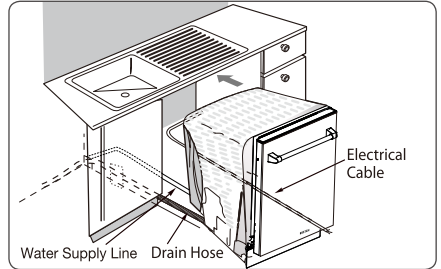
### ! NOTE

The new hose-sets and pipes supplied with the appliance are to be used and the old items should not be reused.

## 6 INSTALLATION INSTRUCTIONS

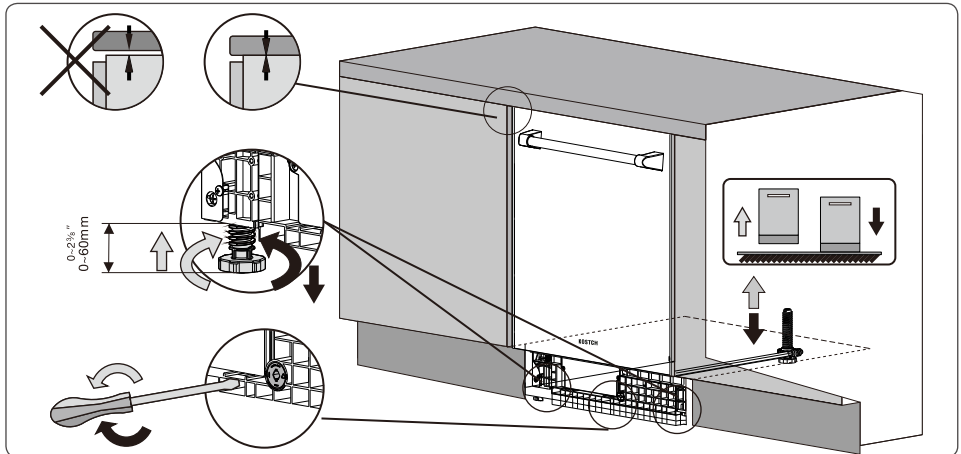
### STEP 6: SLIDE DISHWASHER INTO CABINET

- Before sliding the unit into place you will need to attach the mounting brackets. See FIG.11 for mounting bracket instructions.
- Before sliding the dishwasher into place, raise the dishwasher by adjusting the front and rear legs of the dishwasher to the approximate height of the opening.
- Although you will need to make fine tune adjustments, after it is in place, this method will minimize those adjustments.
- Make sure the drain hose and the water supply line inside the cabinet are not kinked or pinched.
- Make sure electrical supply are routed through the channels under the dishwasher as shown in FIG.4.
- To avoid kinked or pinched drain hose and the water supply line , be sure to pull the hoses while you slide the dishwasher into place, not allowing any slack behind the dishwasher.
- This dishwasher must be connected to a hot water supply 120°F(49°C) .
- This temperature range provides the best washing results and shortest cycle time. To prevent damage to dishes, temperature should not exceed 149°F(65°C).



### STEP 7: HOW TO ADJUST LEG

FIG. 10



- To adjust the height of the rear of the machine, rotate the adjustment lever located in the middle in front of the base with a slotted screwdriver, adjusting the direction as shown in the FIG.10.

#### NOTE

For the front legs adjustments, you can first adjust the height of the adjustment legs by hand rotation, and then use a slotted screwdriver to fine-tune it at the end.

## STEP 8: SECURE DISHWASHER TO THE COUNTERTOP

For countertops made of wood or that will not be damaged by drilling, use Method 1 shown as FIG. 11.

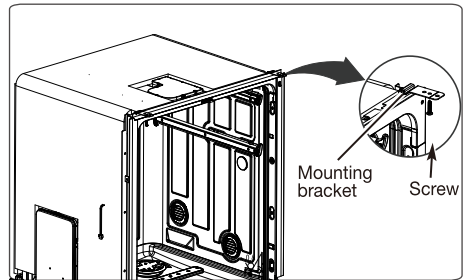
For countertops made of granite, marble, or other materials that could be damaged by drilling, use Method 2 shown as FIG. 12.

### IMPORTANT TIPS

- Cover the filter hole with towels to prevent screws from falling down into the pump.
- Use of a magnetic driver is recommended.

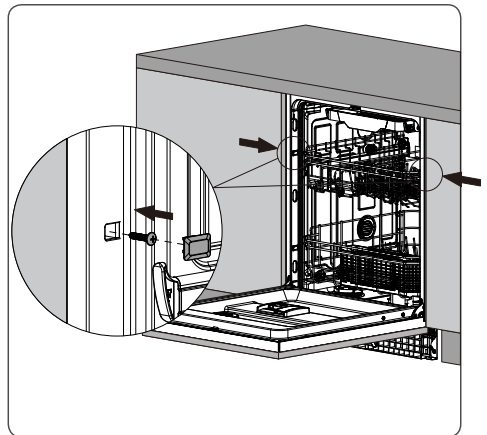
#### METHOD 1 (FIG. 11)

1. Insert the mounting brackets into the slot.
2. Bend the brackets to secure them to the dishwasher tub.
3. Using the provided screws, secure the dishwasher to the countertop through the holes in the bracket.
4. Install the correction covers, notice, the installation direction is the same as that of the cover below in the tub.



#### METHOD 2 (FIG. 12)

1. Drive a screw through the cabinet frame.
2. Install the correction covers, notice, the installation direction is the same as that of the cover below in the tub.



## 8 INSTALLATION INSTRUCTIONS

### STEP 9: DRAIN LINE CONNECTION

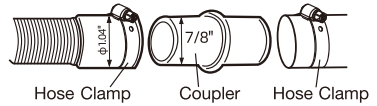
#### DRAIN REQUIREMENTS

Follow local codes and ordinances.

Do not exceed 10 ft.(3 m) distance to drain.

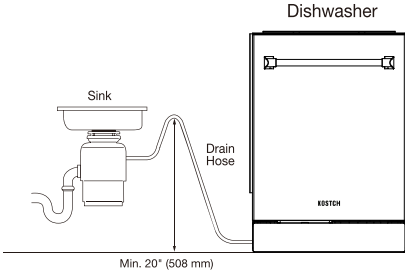
Do not connect drain lines from other devices to the dishwasher drain hose.

If an extension drain hose is required,use coupler with 7/8" outside diameter for connecting the two hose ends with hose clamps.



#### CONNECTION TO DISPOSER OR WASTE TEE

FIG. 13



When installing the drain hose to a disposer, be sure that the plug on the disposer has been removed. If the disposer plug has not been removed, the dishwasher will not be able to drain properly.

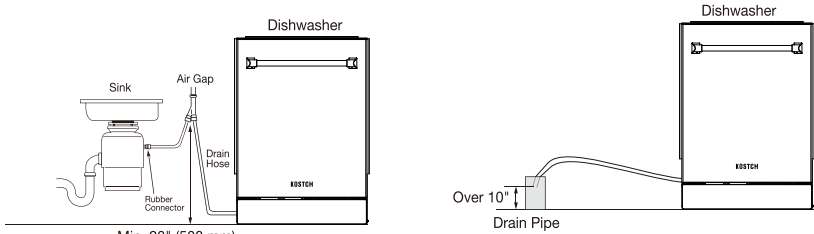
**NOTE**

Be sure to follow all mfg. instructions for the disposer when removing the plug.

This loop of the drain hose must be a minimum of 20" (508mm) to protect the unit from getting a backflow of water from the sink.

#### CONNECTION TO AIR GAP

FIG. 14



The height of the drain hose end must be over 10" from the bottom to avoid water being siphoned from the tub.

This loop of the drain hose must be a minimum of 20" (508mm) to protect the unit from getting a back flow of water from the sink.

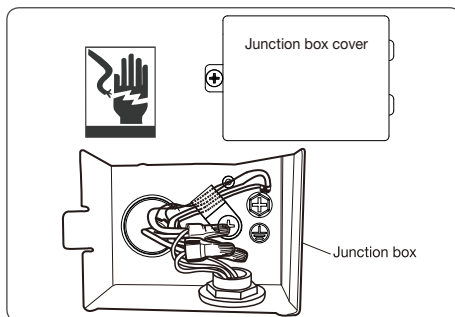
## STEP 10: ELECTRICAL POWER CONNECTION

### ⚠ NOTICE

1. This appliance must be operated with correct voltage as shown in this manual and on the rating plate, and connected to a dedicated properly grounded branch circuit, protected by a time-delay fuse. Wiring must be 3 wires including ground.
2. If an outlet and a three-prong power cord is used, it should be in an accessible location adjacent to and not behind the dishwasher and within 4 ft.(1.2 m) of the dishwasher side.
3. The wiring or cord must be grounded properly. If in doubt, have it checked by a qualified electrician. Do not connect any other appliance to the same outlet.

1. Before beginning, turn off electrical power to the unit at the circuit breaker.
2. Remove the junction box cover and then install the strain relief.
3. Twist wire connectors tightly onto the wires; then wrap each connection with wire nut.
4. Check again and make sure that all wires are connected correctly: black to black, white to white, green ground wire to green ground wire.
5. Replace the junction box cover.

FIG. 15



### ⚠ CAUTION

Verify that the black wire is hot (120V). If not, or if you are unsure of the power supply, have it checked by a licensed electrician.

### ! NOTE

If you find any damage to the dishwasher, please contact your dealer or manufacturer immediately.

## STEP 11: FINAL CHECK

1. Turn on electrical power.
2. Turn on house water supply.
3. Run the dishwasher on a normal cycle to verify proper operation and check for leaks.
4. Replace the toe kick panel.

For any warranty inquiries, please contact:  
service@kostch.com