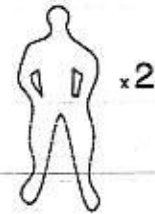
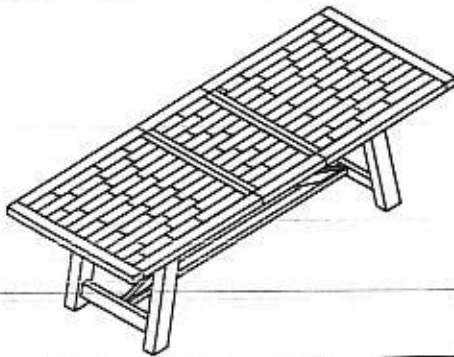


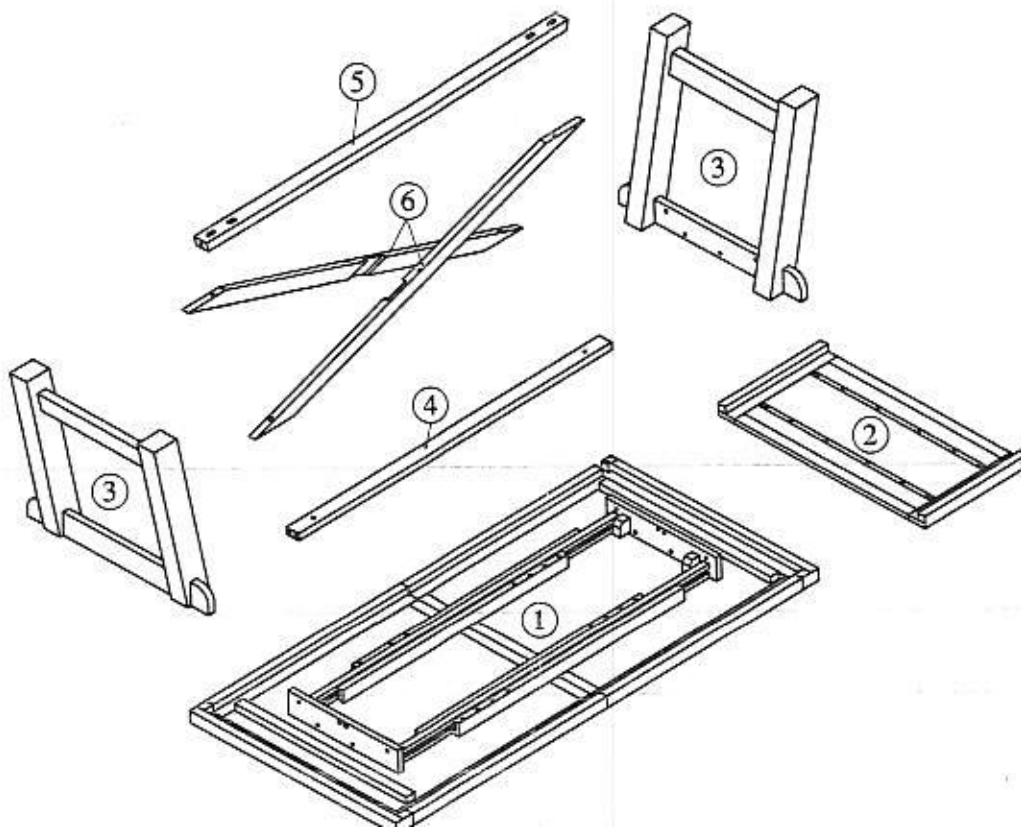
# DINING TABLE

## ASSEMBLY INSTRUCTIONS

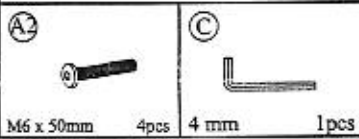
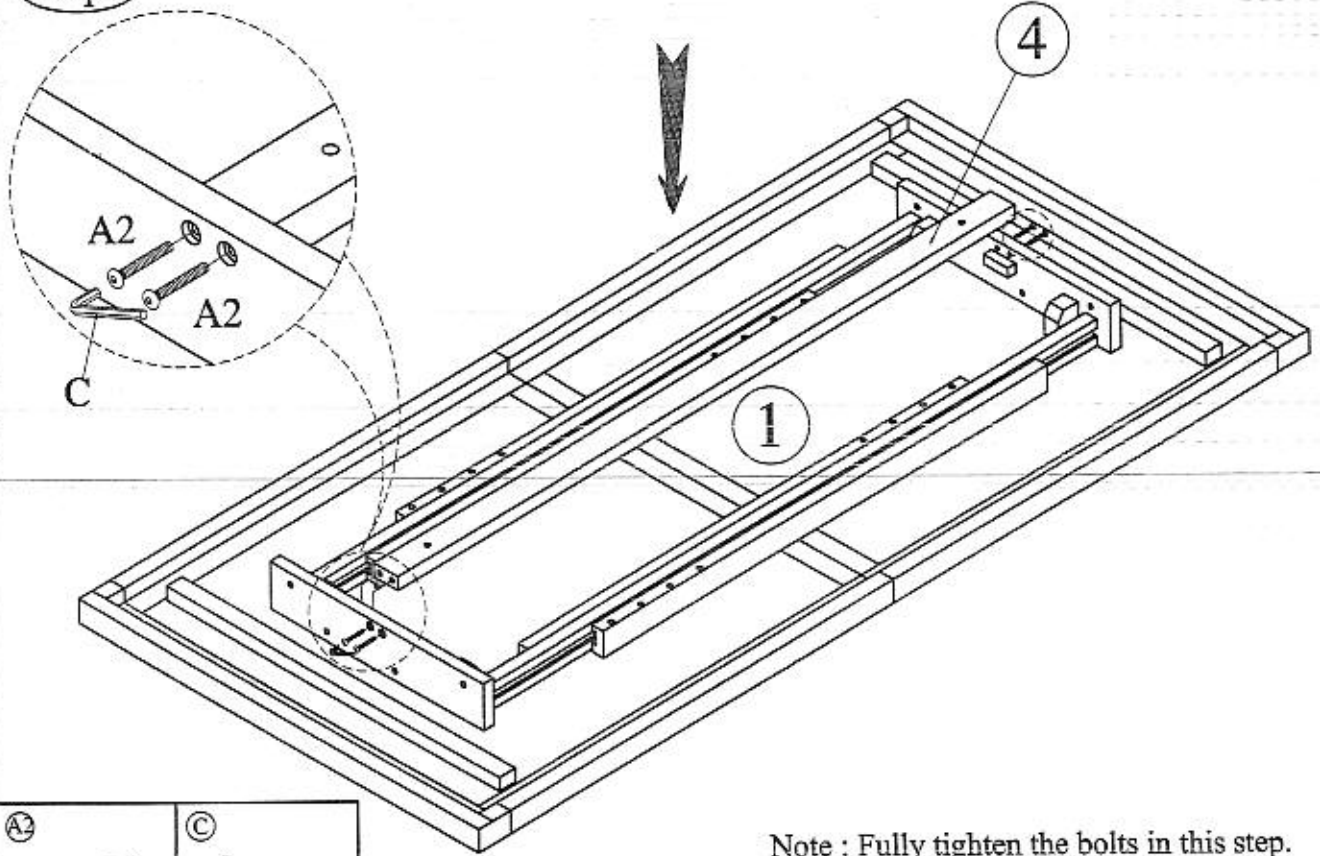


x2

CODE	PICTURE	SIZE	AMOUNT
A1		M6 x 50 mm	6 PCS
A2		M6 x 50 mm	4 PCS
B		M8 x 50 mm	8 PCS
C		4 mm x 50 mm	1 PCS
D		13 mm	1 PCS
E		Ø4 x 50 mm	2 PCS

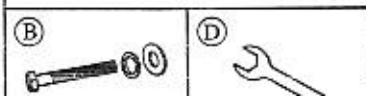
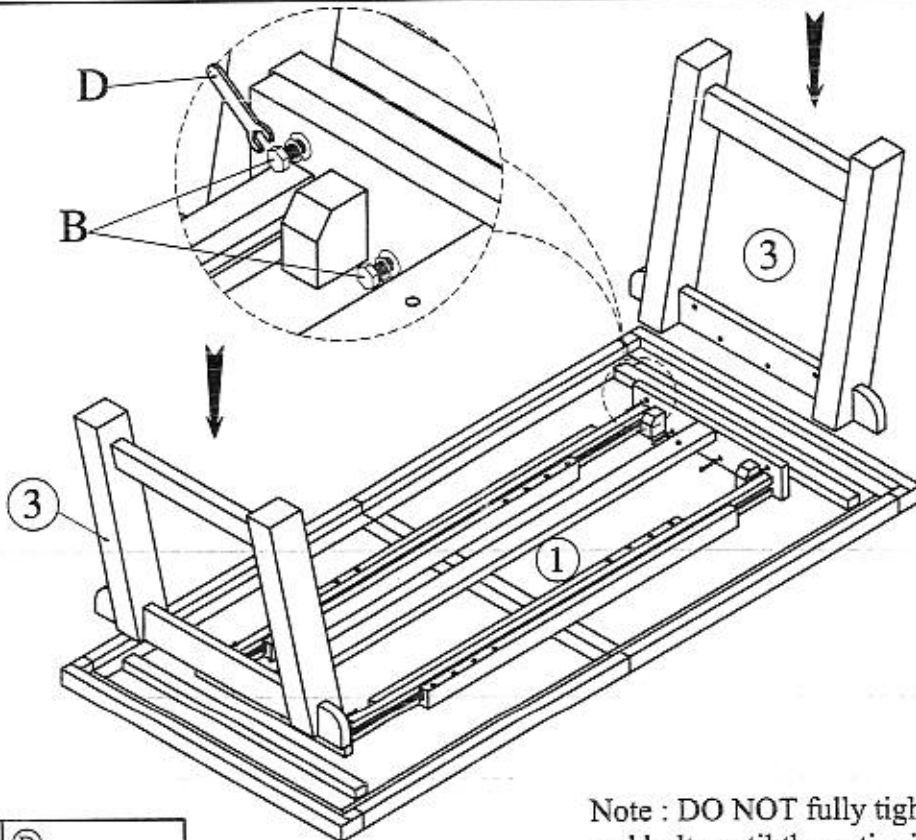


Step1



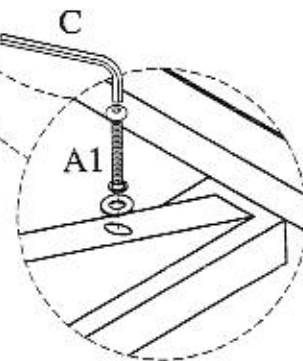
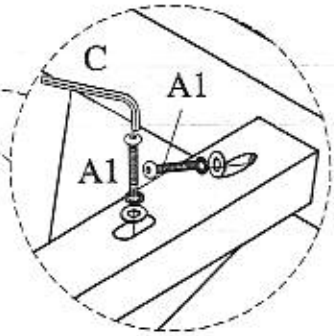
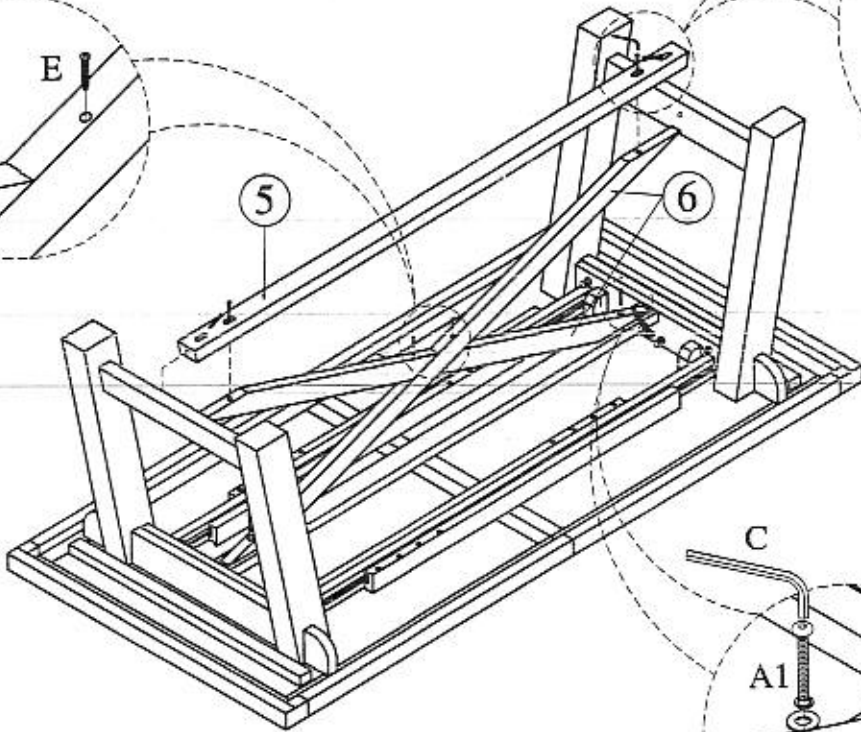
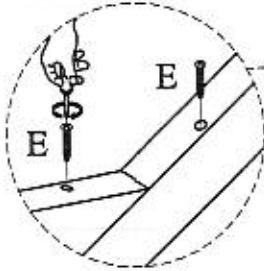
Note : Fully tighten the bolts in this step.



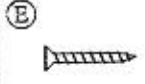

Step2



Note : DO NOT fully tighten screws and bolts until the entire item is completely assembled.

Step3



- |   |   |   |   |
|---|---|---|---|
| <br>A1<br>M6 x 50mm 6pcs | <br>C<br>4 mm 1pcs | <br>E<br>Ø4 x 50 mm 2pcs | <br>Not provided<br>Screw driver |
|---|---|---|---|

Step4

