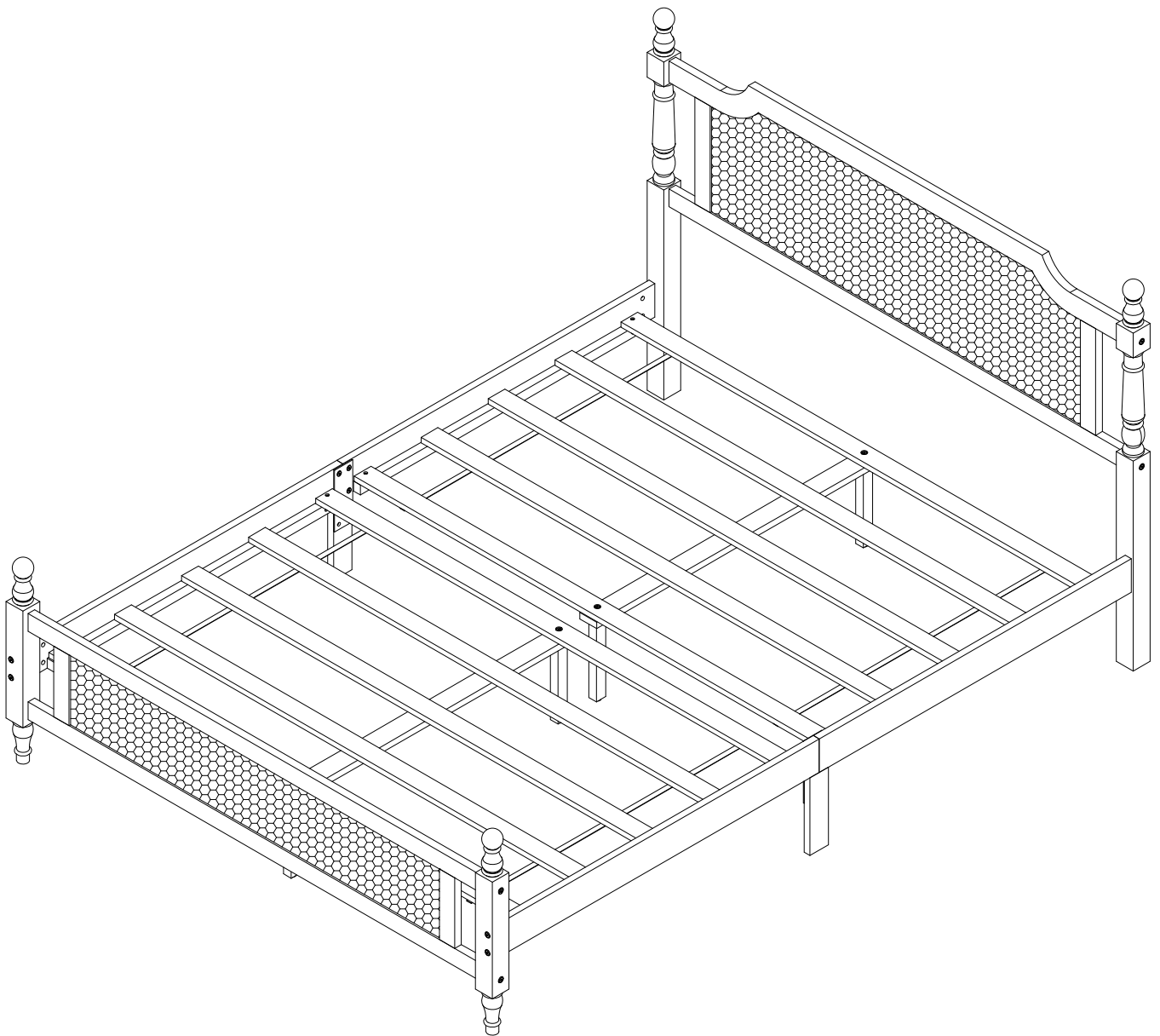
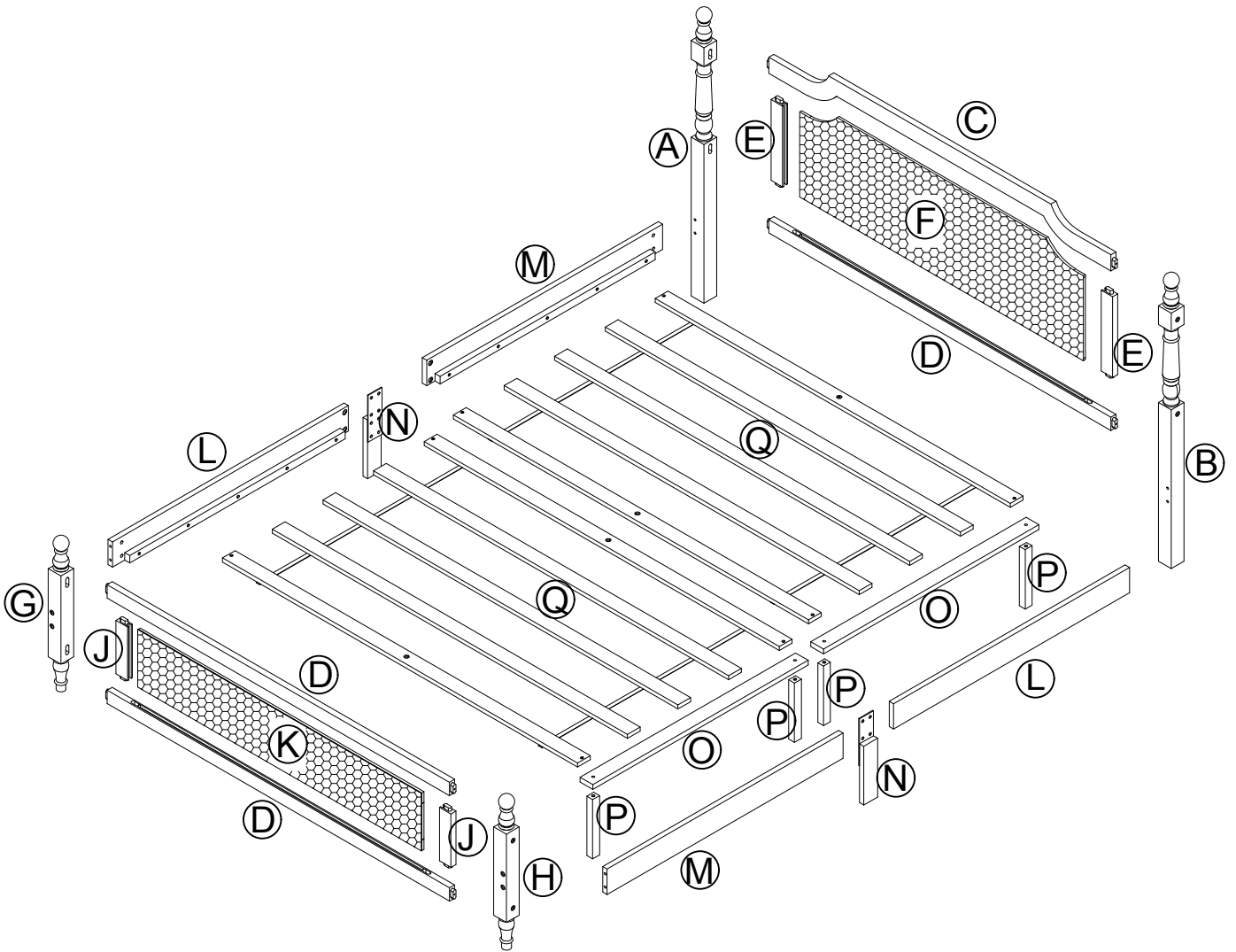


ASSEMBLY INSTRUCTIONS


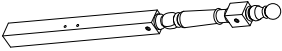



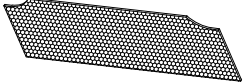



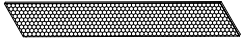

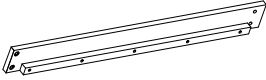
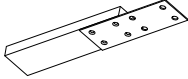

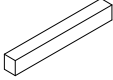
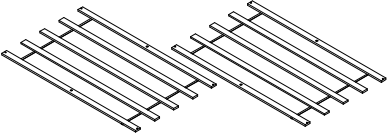
QUEEN BED RATTAN HEADBOARD AND FOOTBOARD











Detail View



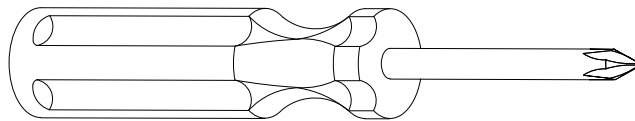
Part List :

<p>A</p>  <p>LEG HB (left) - 1pc</p>	<p>B</p>  <p>LEG HB (right) - 1pc</p>	<p>C</p>  <p>Shoulders on headboard in - 1pc</p>
<p>D</p>  <p>Shoulders under the headboard in 3pcs</p>	<p>E</p>  <p>Tanding bars on both sides of the inner bed head (2pcs)</p>	<p>F</p>  <p>Inner head board - 1pc</p>
<p>G</p>  <p>LEG FB (left) - 1pc</p>	<p>H</p>  <p>LEG FB (right) - 1pc</p>	<p>J</p>  <p>Ladders stand on both sides of the inner bed (2pcs)</p>
<p>K</p>  <p>inner Food board (1pc)</p>	<p>L</p>  <p>Left Rail Left rail - 2pcs</p>	<p>M</p>  <p>Right rail - 2pcs</p>
<p>N</p>  <p>Supported Legs (2pcs)</p>	<p>O</p>  <p>nner bed support bar (2pcs)</p>	<p>P</p>  <p>Inner bed side legs (4pcs)</p>
	<p>Q</p>  <p>Slats - 2set</p>	

Hardware List :

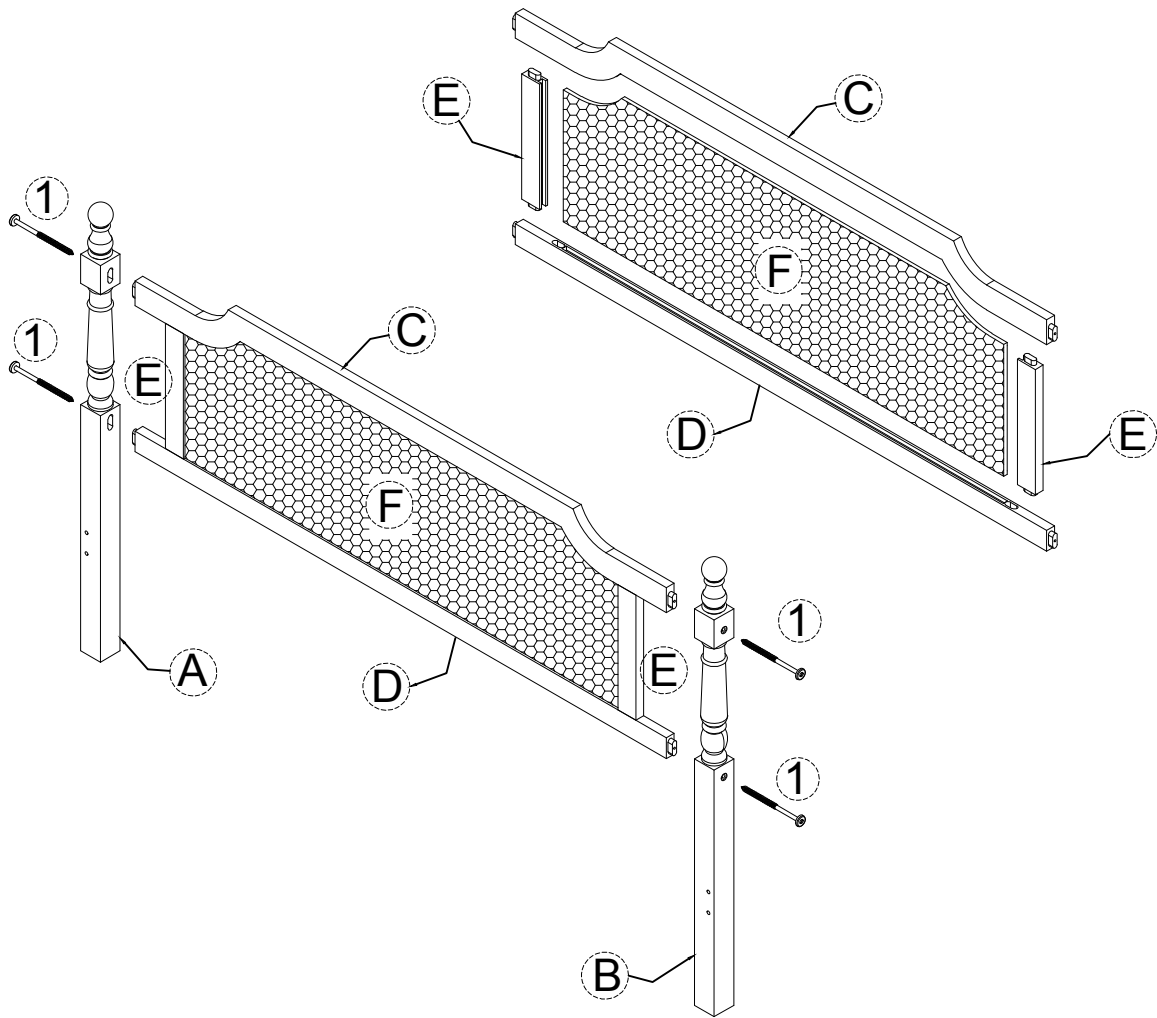
1		2		3	
<p>(Ø15) x1/4"x90mm Hex - Head Screws (8pcs)</p>		<p>(Ø15) x1/4"x110mm Hex-Head Bolts (8pcs)</p>		<p>1/4"x15mm(9.5mm) Horizontal-Hole Nuts (8pcs)</p>	
4		5		6	
<p>(Ø15) x1/4"x50mm Hex-Head Bolts (4pcs)</p>		<p>(Ø15) x1/4"x15mm Hex-Head Bolts (8pcs)</p>		<p>4x30mm Wood screws (8pcs)</p>	
7		8			
<p>4x15mm Wood screws (18pcs)</p>		<p>(1/4") 4x58mm Allen key (1pc)</p>			

ASSEMBLY TOOLS REQUIRED (NOT INCLUDED)



PLEASE BE CAREFUL DO NOT DAMAGE THE HOLE POSITION WHEN YOU USE POWER TOOLS !

STEP 1

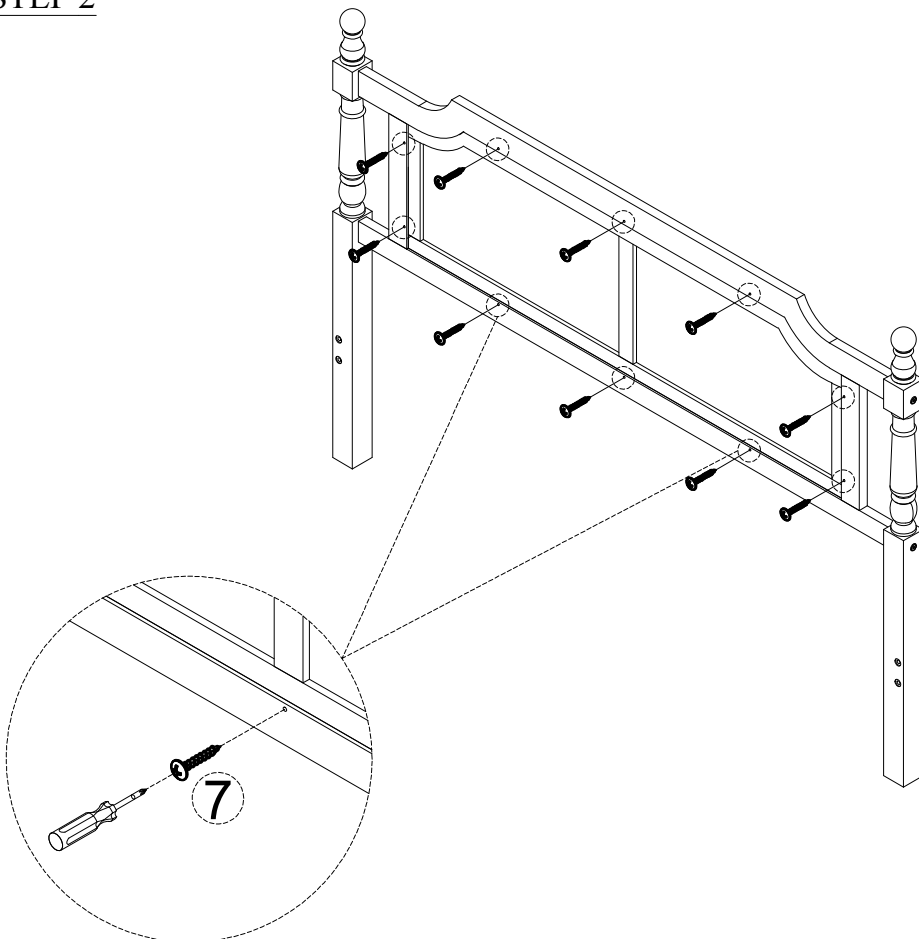


1



(4pcs)

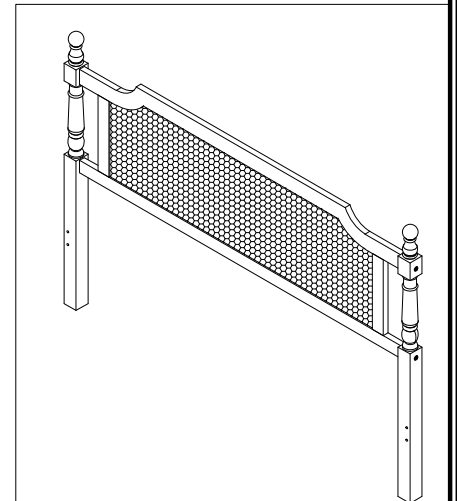
STEP 2



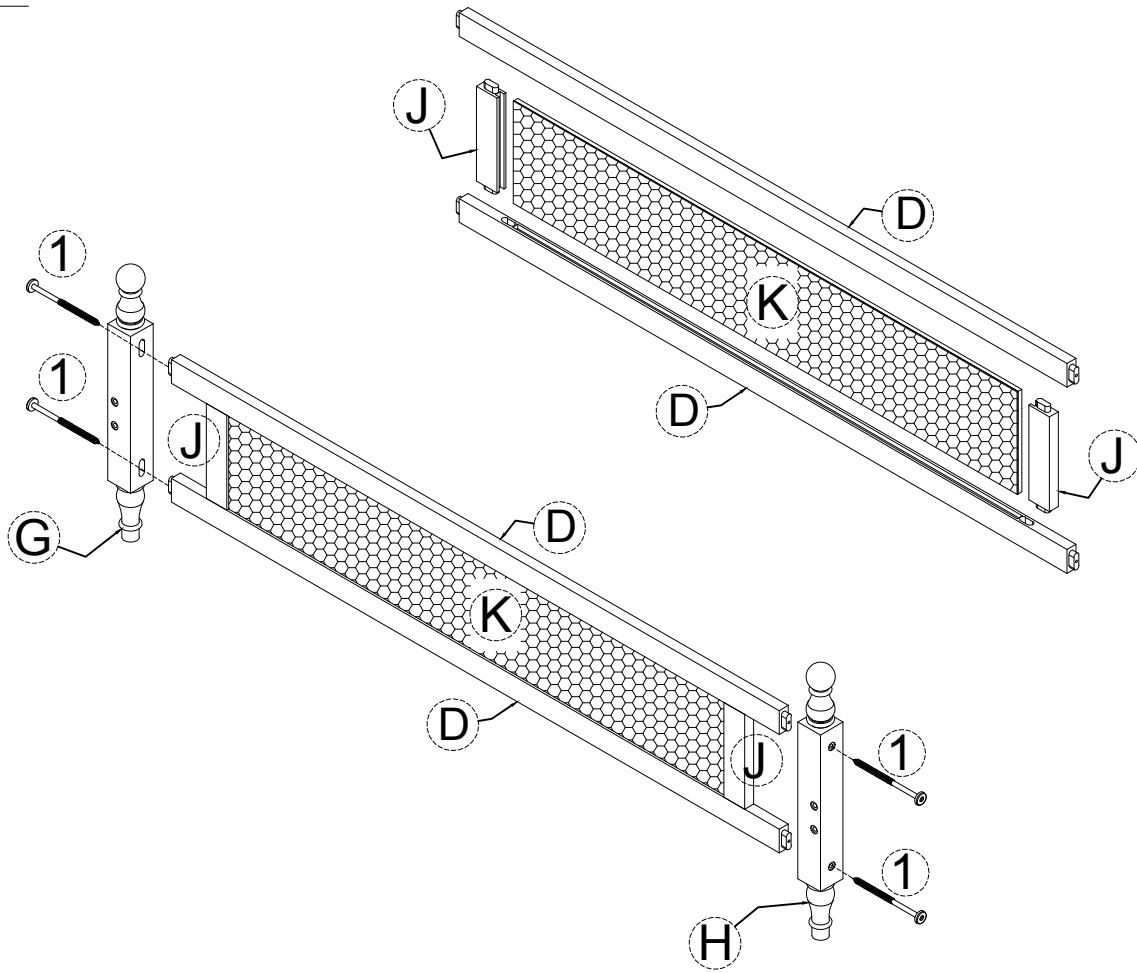
7



(10pcs)



STEP 3

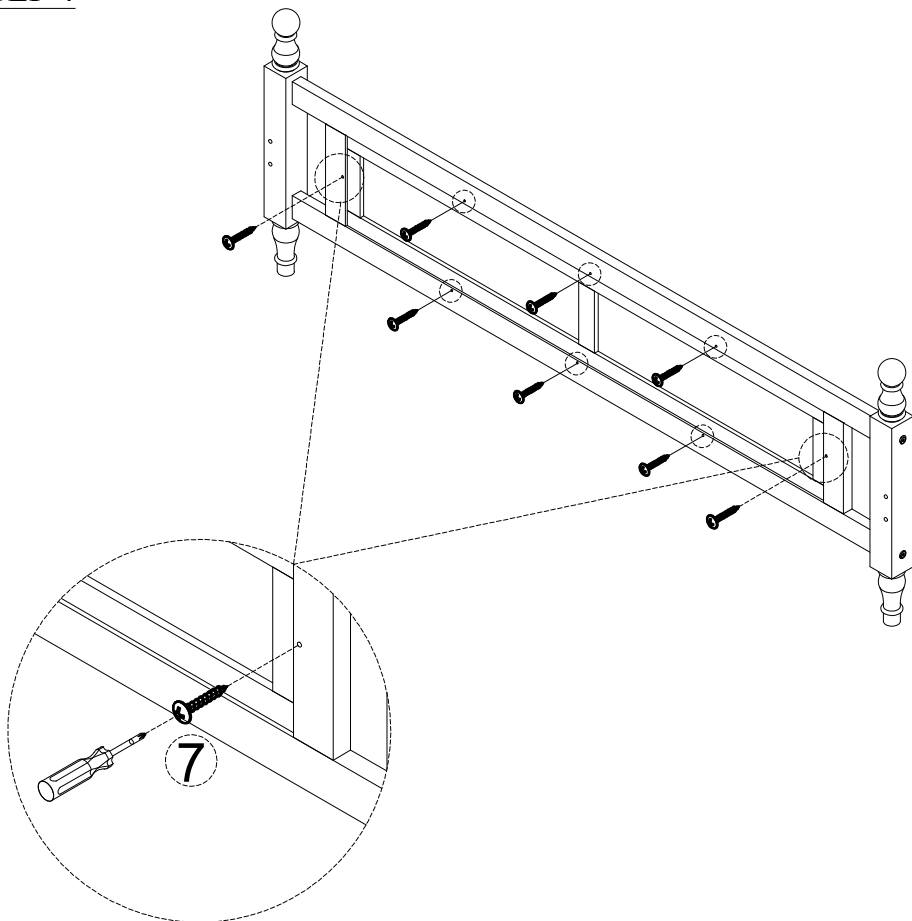


1



(4pcs)

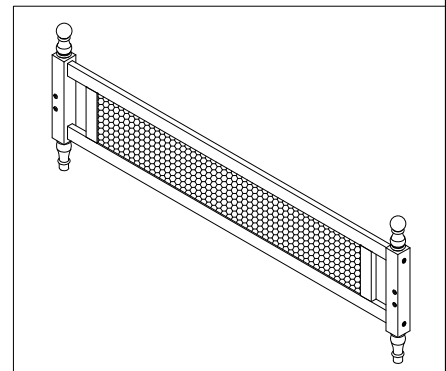
STEP 4



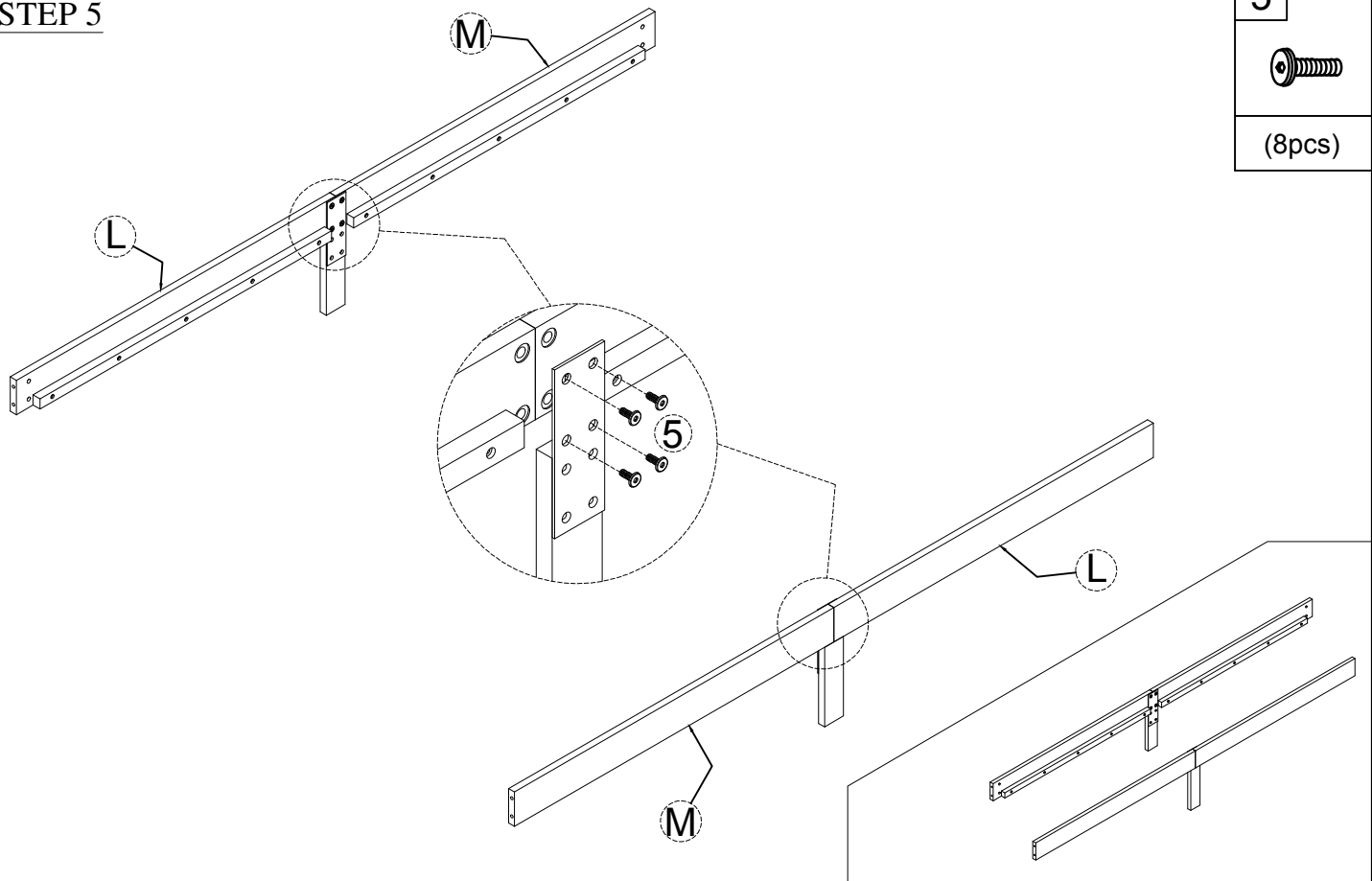
7



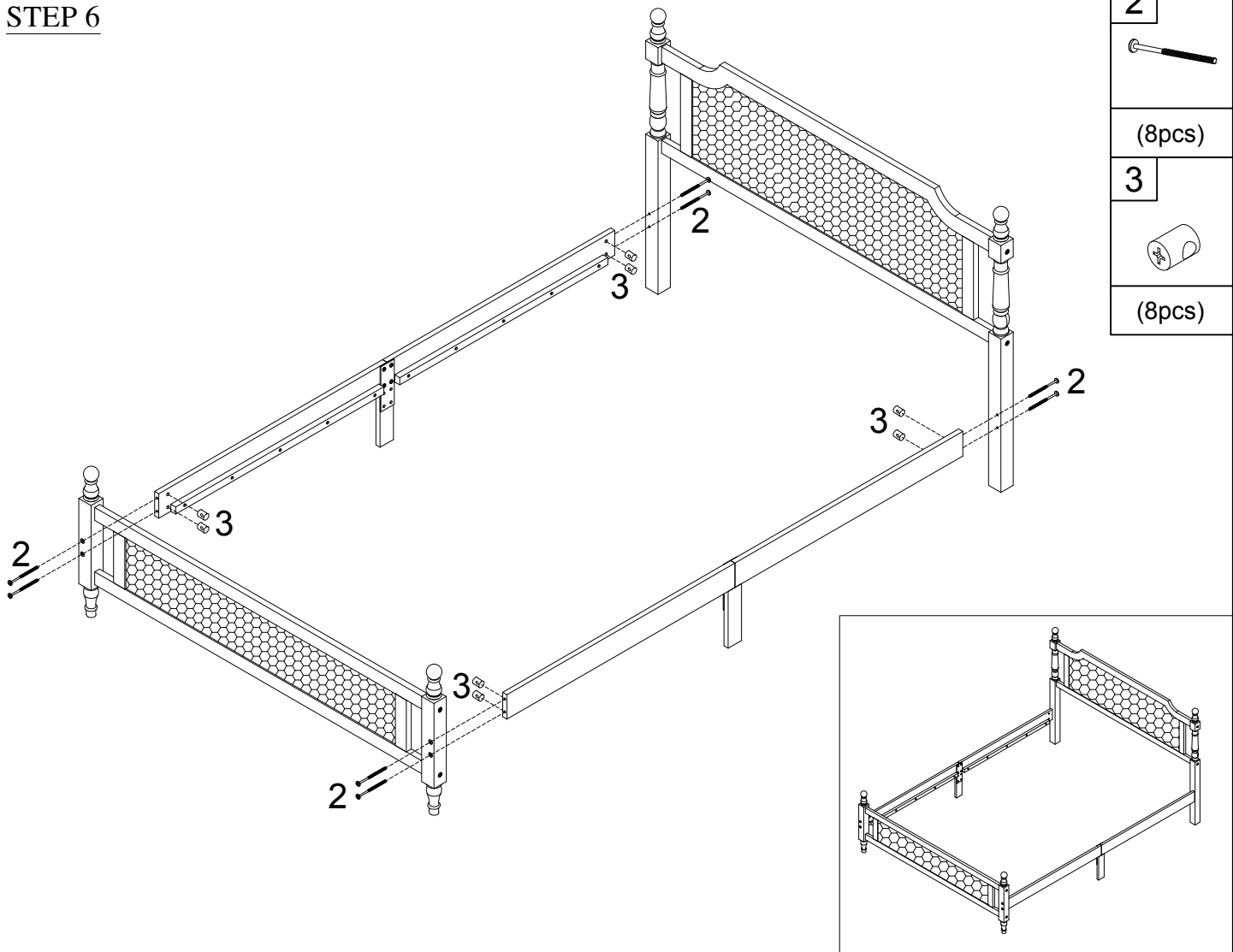
(8pcs)



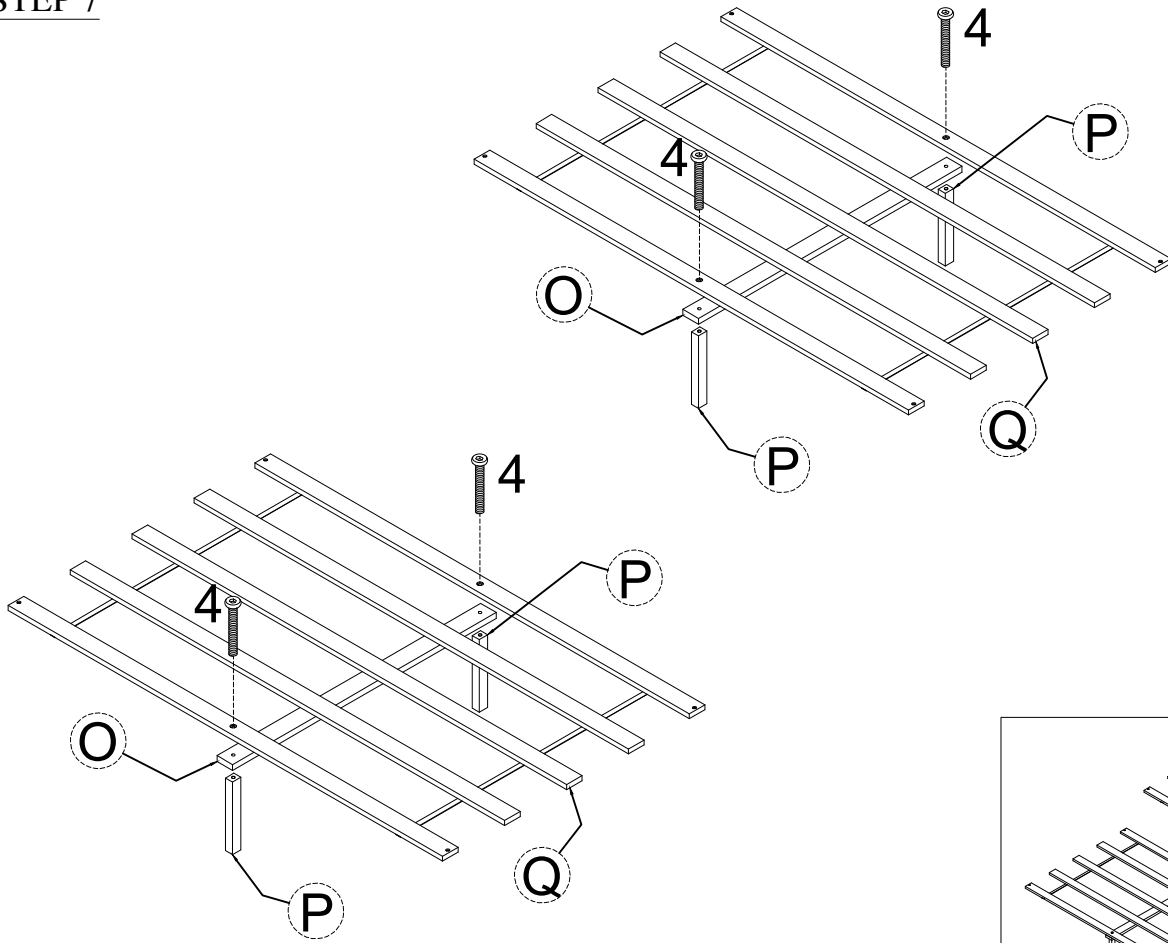
STEP 5



STEP 6



STEP 7

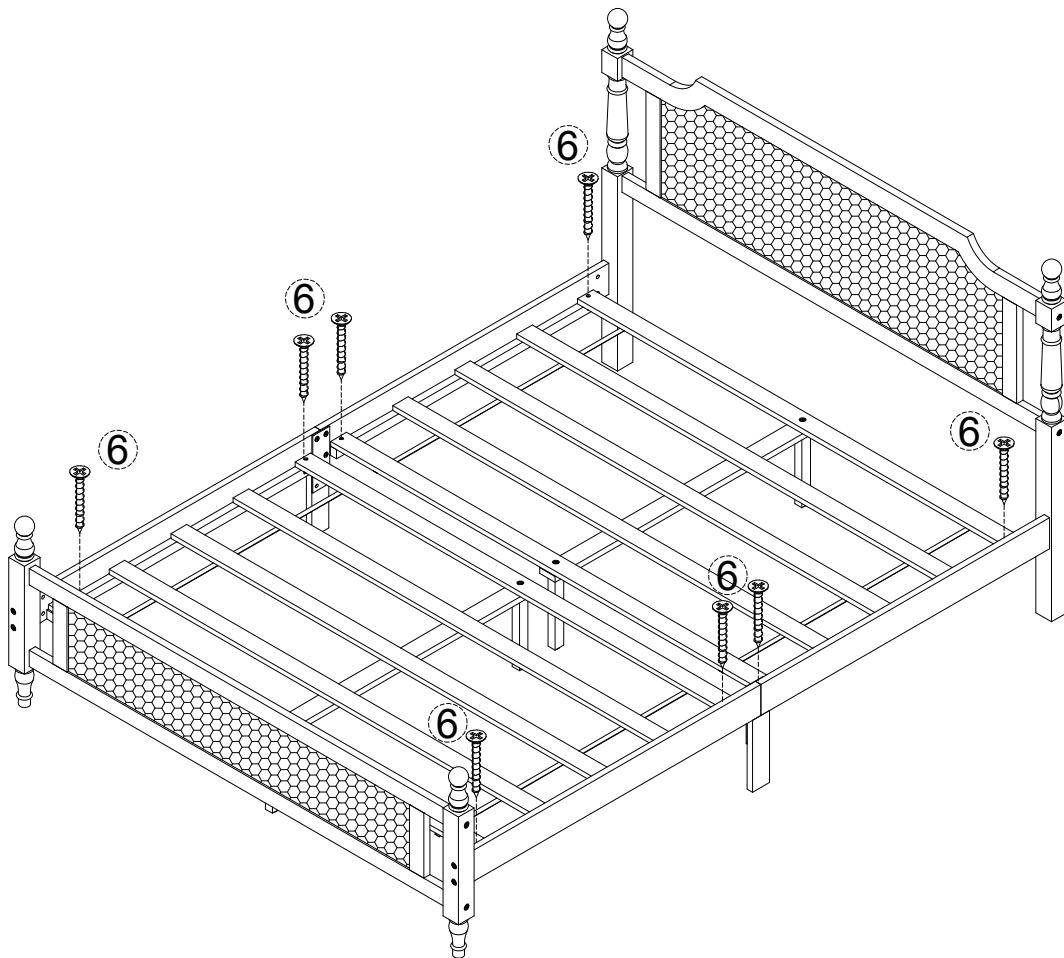


4

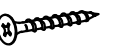


(4pcs)

STEP 8



6



(8pcs)

