

Pendant Light

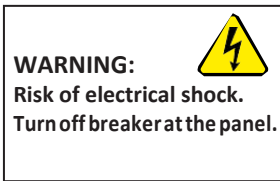
INSTRUCTION MANUAL

IMPORTANT, KEEP FOR FUTURE REFERENCE:
PLEASE READ CAREFULLY.

The installer and/or user must read, understand and follow these instructions before installing the product. This product must be properly installed before it is used. If instructions are not followed, the manufacturer will not be

held responsible for any problems or product malfunction. Failure to follow installation and/or operating instructions voids the warranty. We recommend that this product be installed by a certified electrician. In

some states or provinces, it is a legal requirement for this type of product to be installed by a certified electrician, according to the electrical and building codes effective in the region where the unit is used.



Switch off the main electrical supply from the fuse box/circuit breaker before installing the unit or doing any maintenance.

Do not use outdoor.
Residential use only.
Indoor use only

HEIGHT ADJUSTMENT

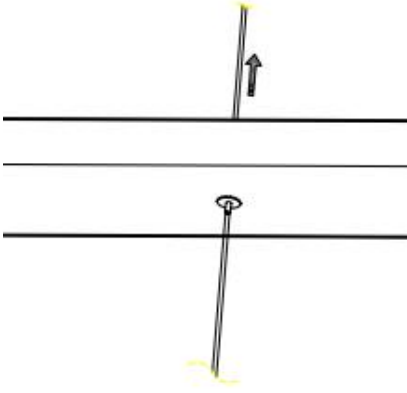
NOTE: It is recommended to make any major adjustments to the height of the light fixture before installation.

1. With the power off, measure the distance from the ceiling to the bottom of where you would like your light

fixture to hang.
2. To retract the wire, gently push it into the light fixture base (fig. 1).

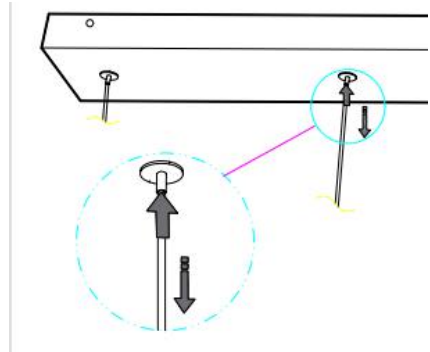
3. To extend the wire, push the metal collar while gently pulling the wire down (fig. 2). When


fig. 1



the metal collar is released, the wire will be fixed into position. 4. Once the wire is at the desired length, turn the fixture over and slide the plastic wire retainer up the wire nut, to prevent the pendant from slipping down when in use.

fig. 2



WARNING: 
 Risk of electrical shock.
 Turn off breaker at the panel.

STEP-BY-STEP INSTALLATION

1. Turn off power at the circuit breaker and the light switch. Ensure the power is off before continuing.
2. Attach the mounting bracket to the junction box with the two junction box screws. Ensure the screws

attached to the mounting bracket point away from the junction box (fig. 3). 3. Connect the white wire (N) from the light fixture to the white supply wire (N) from the junction box using a wire connector. Connect the black wire (L) from the light fixture to the black supply wire (L) from the junction box using

a wire connector. Connect the ground wire (G) from the light fixture to the ground supply wire (G) from the junction box using a wire connector (fig. 4). 4. Put the wires into the canopy. 5. Mount the canopy onto the mounting bracket and secure it with the canopy screw.

fig. 3

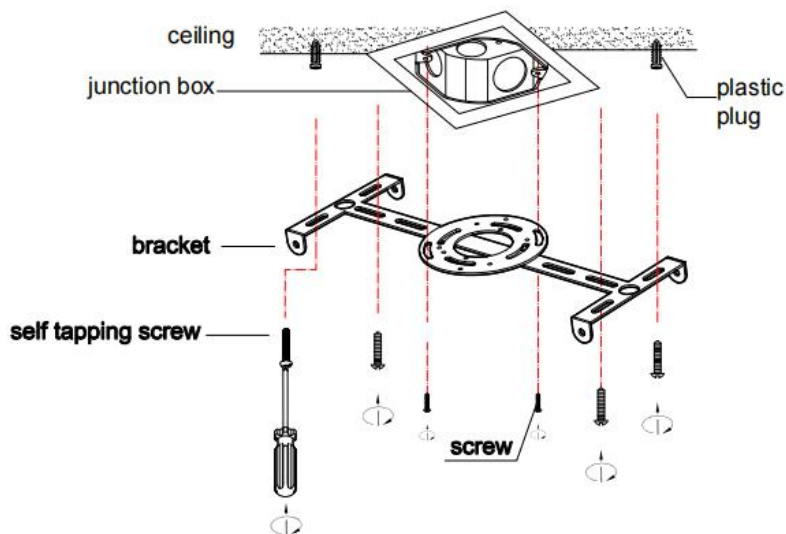


fig. 4

