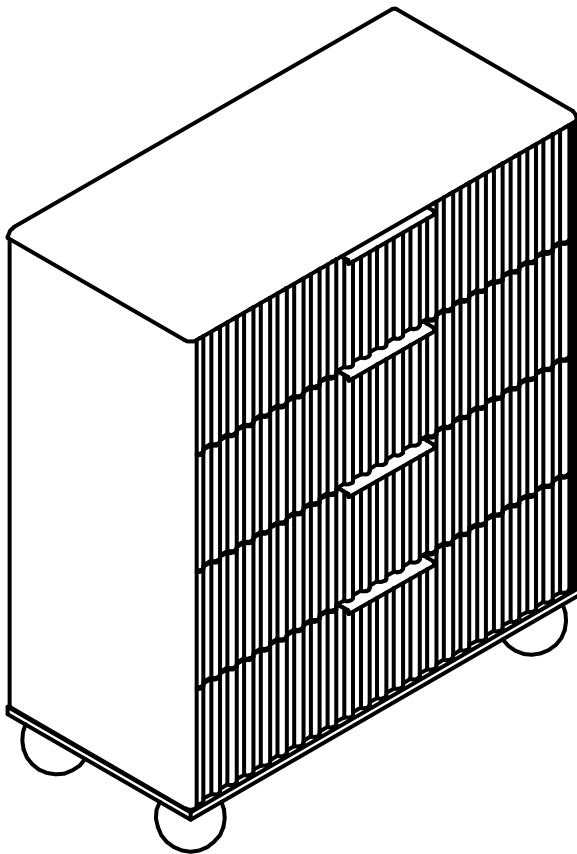


ASSEMBLY INSTRUCTIONS

Hours of Operation
MON-FRI 8:00AM - 4:00PM (PT)

TOOLS REQUIRED



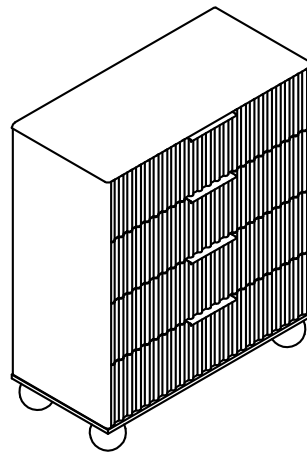
Screwdriver
(Not included)





2 - People

Enjoying this product? We'd love your 5-star review!
If you have any issues, our support team is happy to help.

Thank you for your purchase



 Monday-Friday
8:00AM - 4:00PM PT

 **CHECK
BEFORE STARTING**

Are you missing anything?

Please double check all hardware and parts match the assembly guide before putting the product together. If damaged, we suggest you put the item back in the box and start your claim or return

Should we send any replacements?

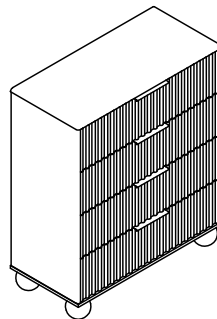
If there are any manufacturer defects or missing pieces please contact us for replacements. If purchased online, please contact the website of where you purchased it from, **DIRECTLY**

IMPORTANT INFO before assembly:

If there's a problem with the parts do not attempt to assemble the product

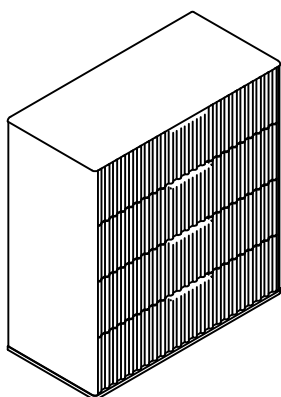
- Place all parts on a clean and smooth surface such as a rug/carpet to avoid parts from being scratched
- When tightening screws to product do not overtighten until product is fully setup
- If product is too heavy for a single person to carry do not attempt and ask for assistance
- **DO NOT DRAG** or **PUSH** item to desired location. Must be carried when moving
- If item is not working as intended please review the assembly guide to see if any steps were missed or incorrectly built. If there's a problem with part please contact seller for additional assistance
- Please keep all hardware and small parts away from pets/infants
- Please wear gloves or protective gear to protect from getting cuts
- It is normal for new furniture to have an off gassing smell. Please air out furniture near a window for a few hours or a day before placing it in its desired location
- All products may have a slight color and texture variation due to different shipments, natural materials, screen- resolutions, or lighting in home. Images are rendered by different devices or websites

CHEST



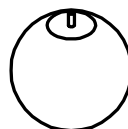
PARTS

Ⓐ x 1



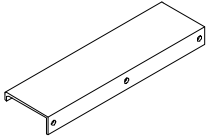

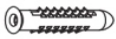

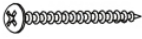


BODY

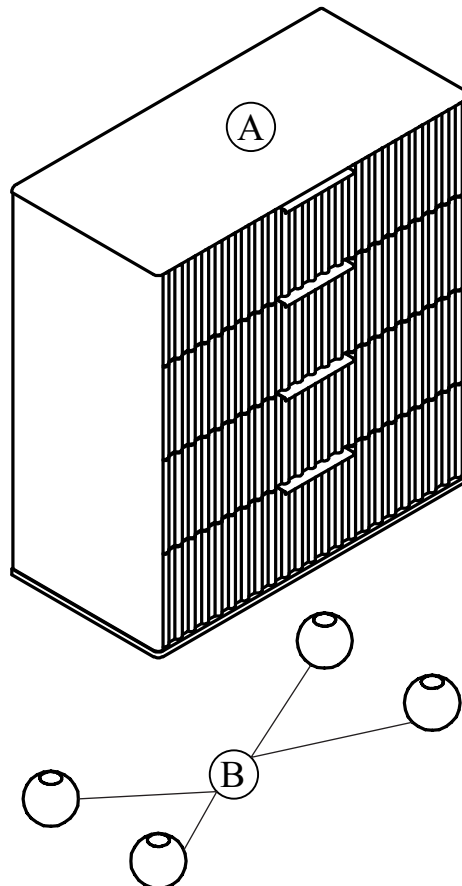
Ⓑ x 4



LEGS

HARDWARE

| No. | OUTLOOK | DESC | QTY |
|-------------------|--|---------------------|--------|
| 1 |  | Handle L = 235mm | 4 PCS |
| 2 |  | Screw M3 x 12 | 12 PCS |
| 3 Anti Tip Kit |  | Plastic Anchor | 1 PC |
| |  | Metal Bracket | 2 PCS |
| |  | Long screw M4 x 40 | 1 PC |
| |  | Short screw M4 x 15 | 1 PC |
| |  | Steel wire | 1 PC |

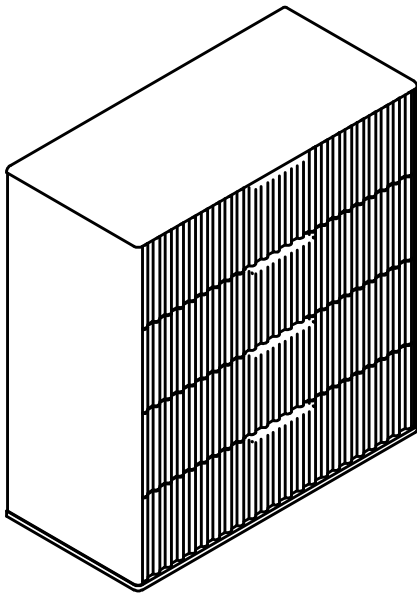


PARTS

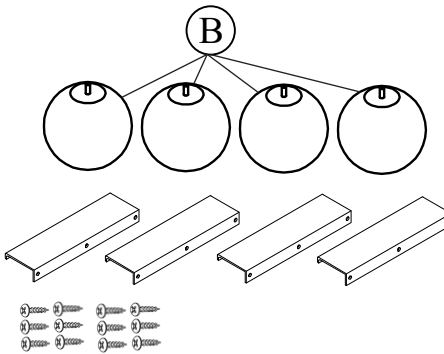
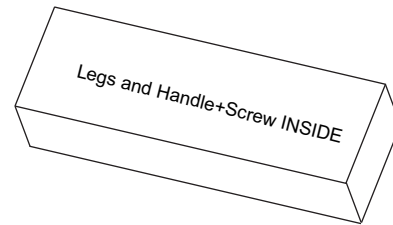
check that you've received all parts listed below

BOX : 1

Ⓐ x 1

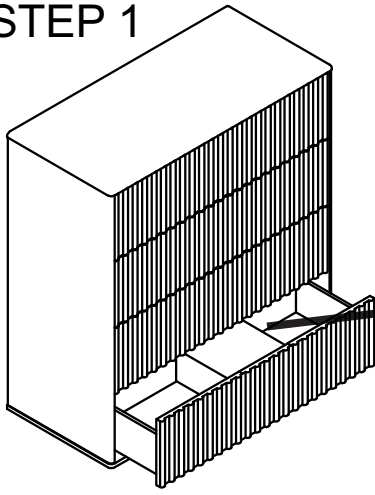


Ⓑ x 4

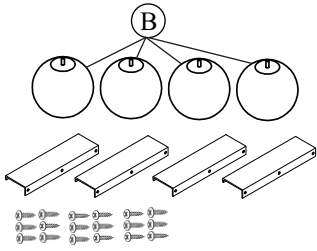
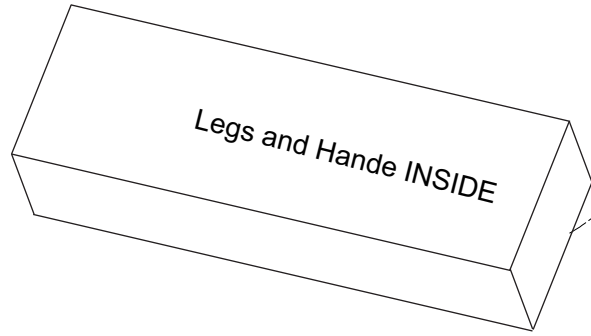


Box in Bottom Drawer

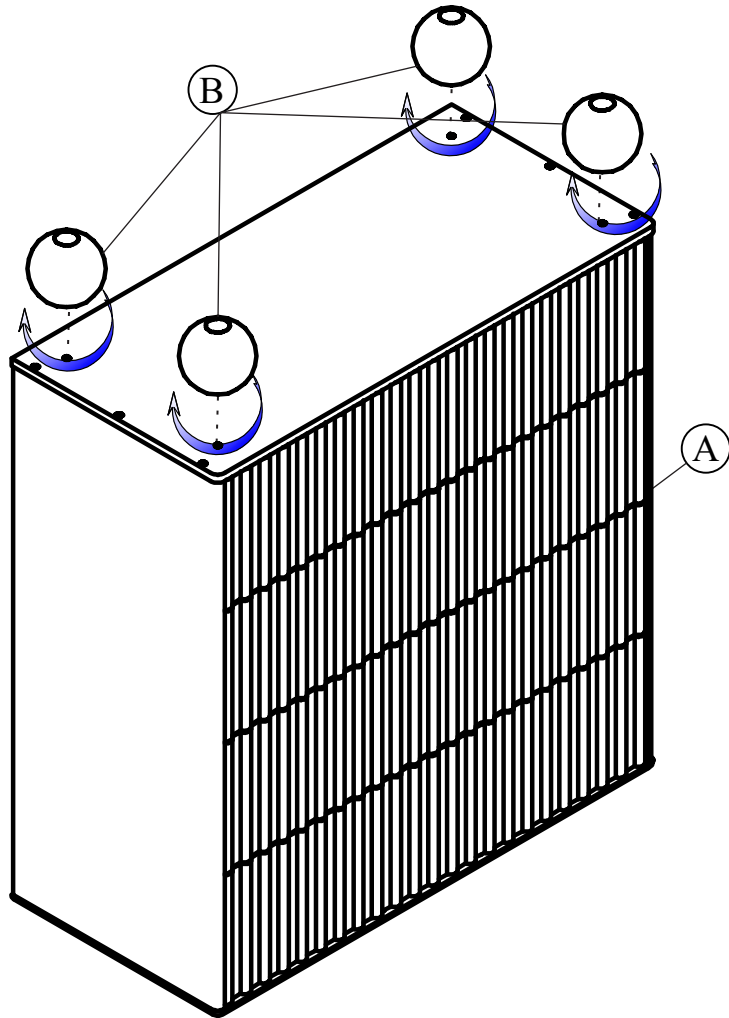
STEP 1



Open this Box "LEG INSIDE" in Bottom Drawer
Legs (B) 4pcs



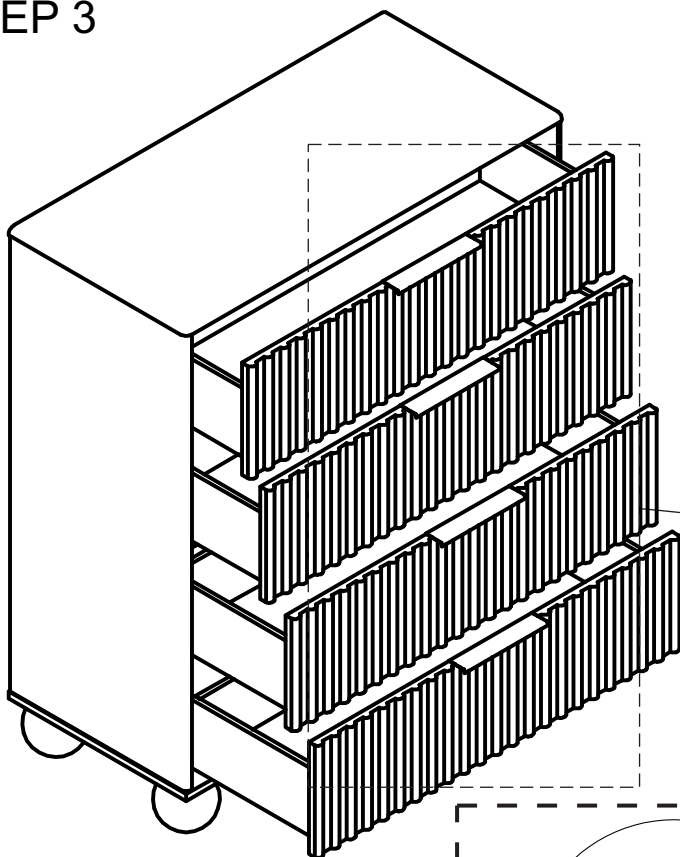
STEP 2



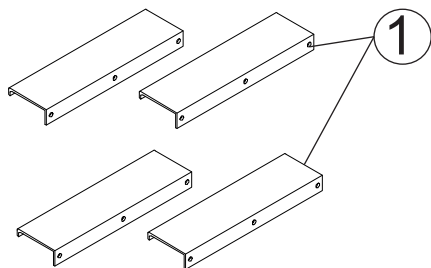
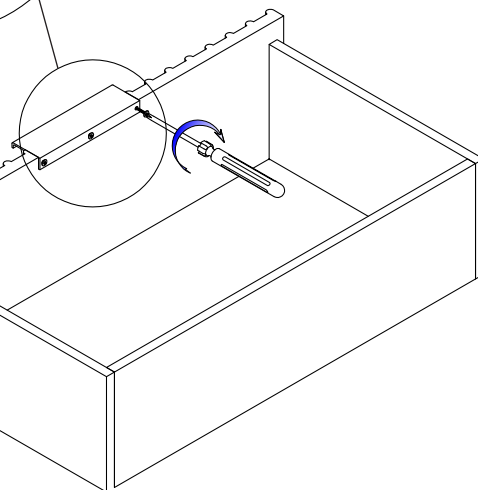
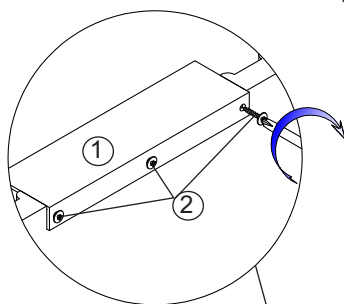
STEP 3



Screwdriver
(Not included)



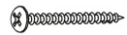




X4



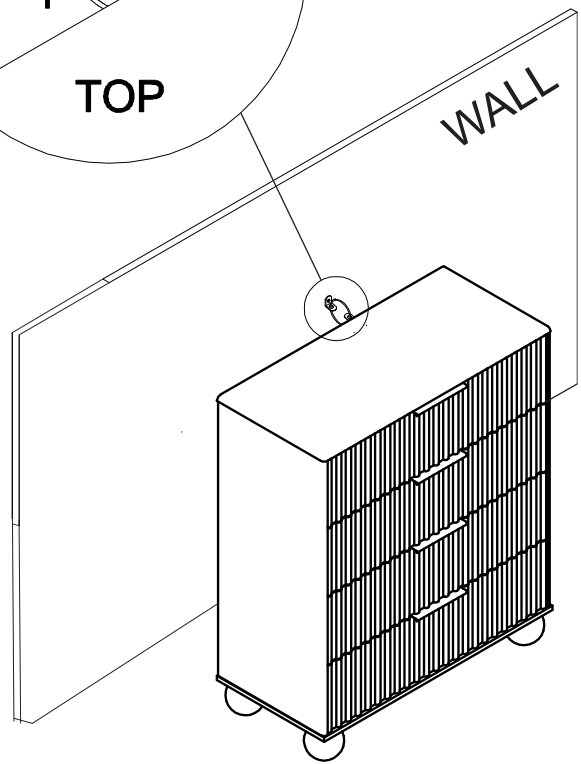
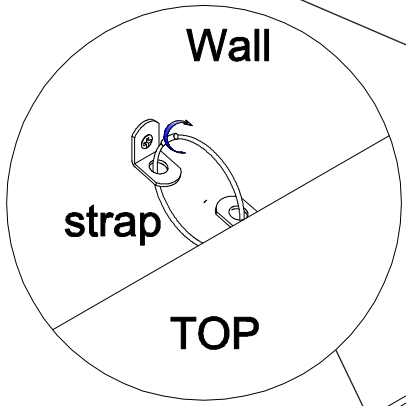
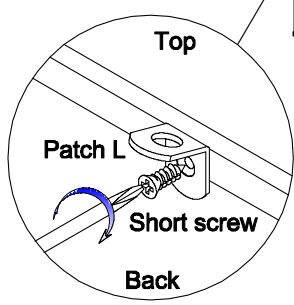
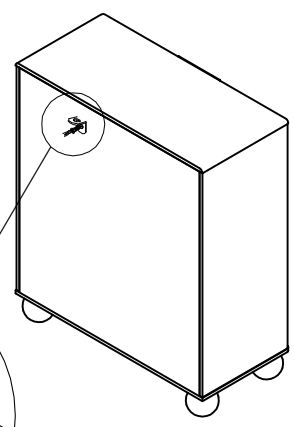
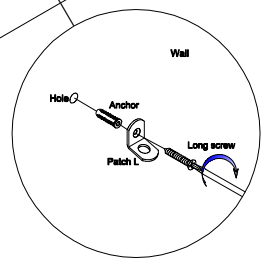
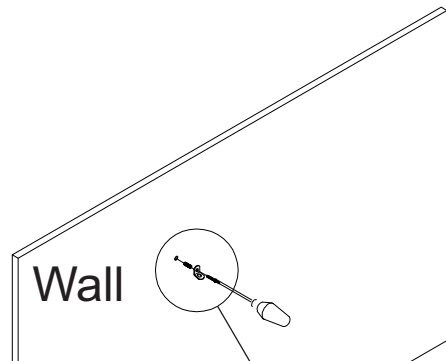
STEP 4

3

| | | | | |
|---|---|---|--|---|
|  1 pc |  2 pcs |  M4 x 40 1 pcs |  M4 x 15 1 pc |  1 pc |
|---|---|---|--|---|



Screwdriver
(Not included)



Finish