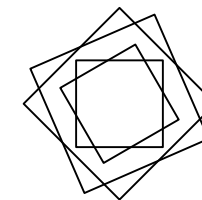
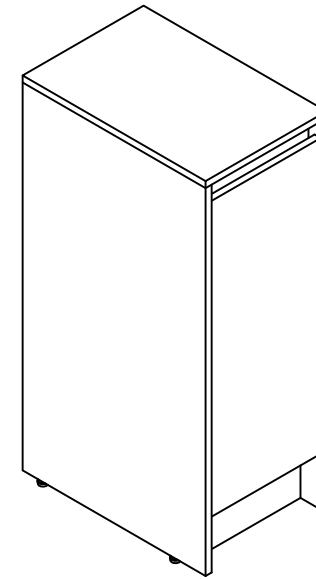


Installation Manual-BV B120 E12A GWH

MOTIVATE
YOUR LIFE !

THANKS FOR WATCHING

Your feedback is invaluable to us and we would love to hear about your experience. Please take the time to leave us a review.



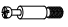







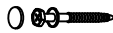


Thank you for shopping with us!

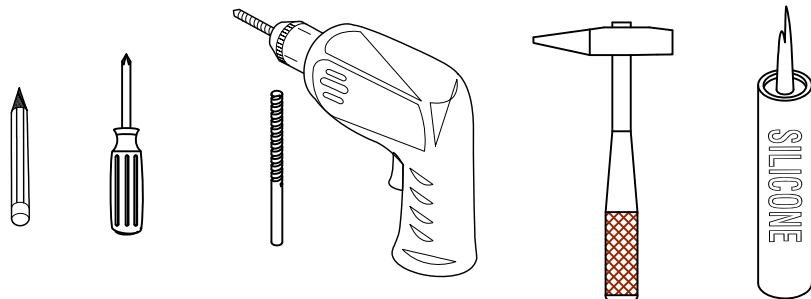
We encourage you to take a few minutes to go through this booklet. It contains important information on installation and care tips to keep your furniture looking as good as new.

Item NO.:BV B120 E12A GWH

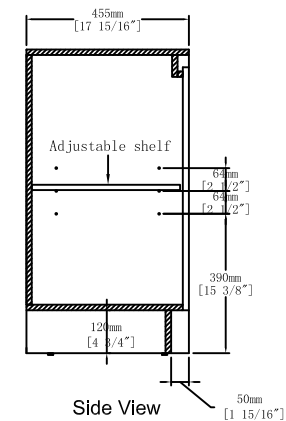
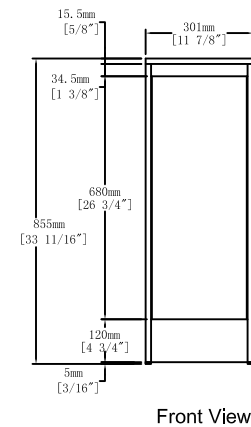
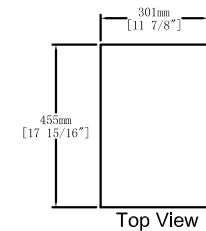
Hardware

| NO. | Draw | QTY | NO. | Draw | QTY |
|-----|---|-----|-----|---|-----|
| A |  Screws Ø4x14mm | 12 | G |  Hinges(Internal hiding) | 2 |
| B |  Two-in-one connector | 24 | H |  Adjustable feet | 4 |
| C |  Two-in-one connector | 24 | I |  Movable laminate support | 4 |
| D |  Wood plug | 6 | J |  Anti-collision gasket | 2 |
| E |  Plastic anchor(Ø10mm) | 2 | K |  Screwdriver | 1 |
| F |  Screws for fix on the wall | 2 | | | |

Recommended tools



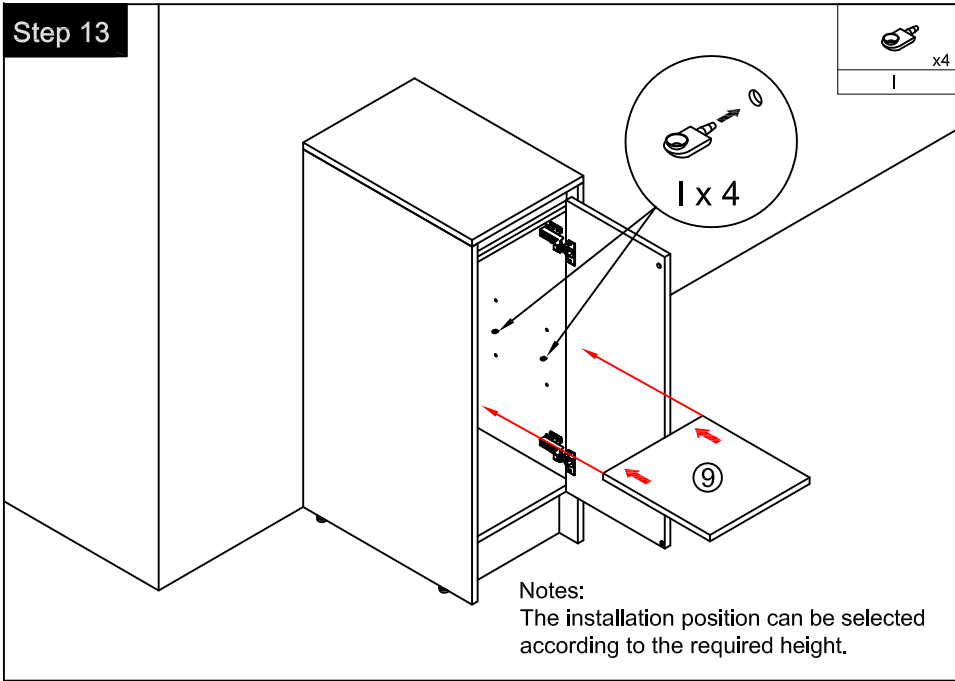
Dimensions



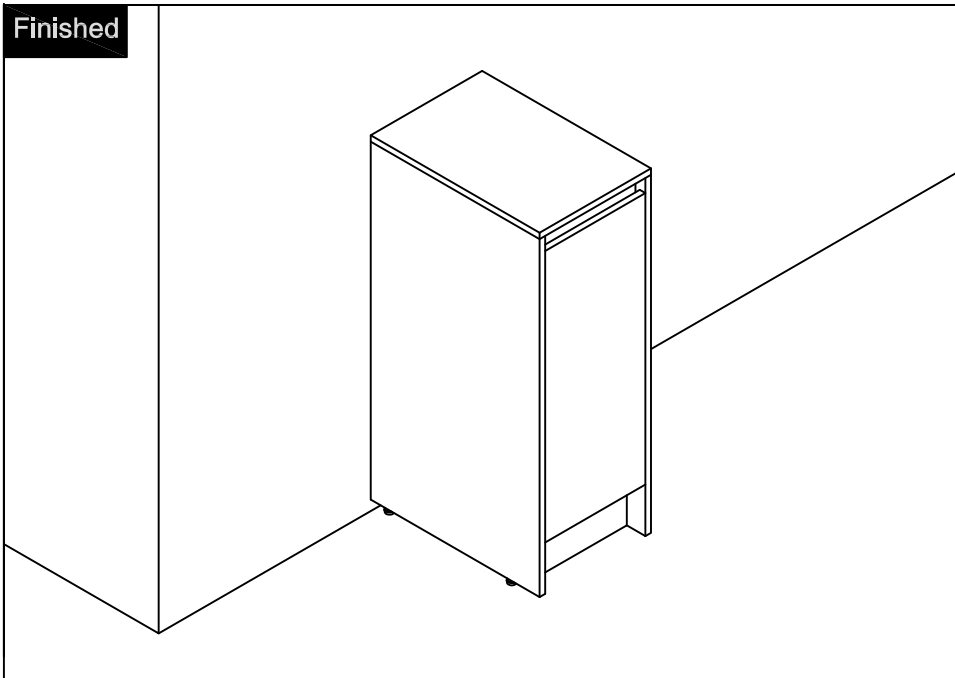
CARE CLEANING AND MAINTENANCE

- 1.Dust regularly with a soft , dry cloth.
- 2.Avoid the use of all chemicals household cleaners, abrasives, or cleaners that contain lemon, vinegar, or other acids that may damage the finish.
- 3.Excessive exposure to sunlight and extreme changes in temperature and moisture can damage wood furniture .
- 4.Do not place hot appliances, such as curling irons and hot hair dryers directly on the countertop. Wipe spills immediately.

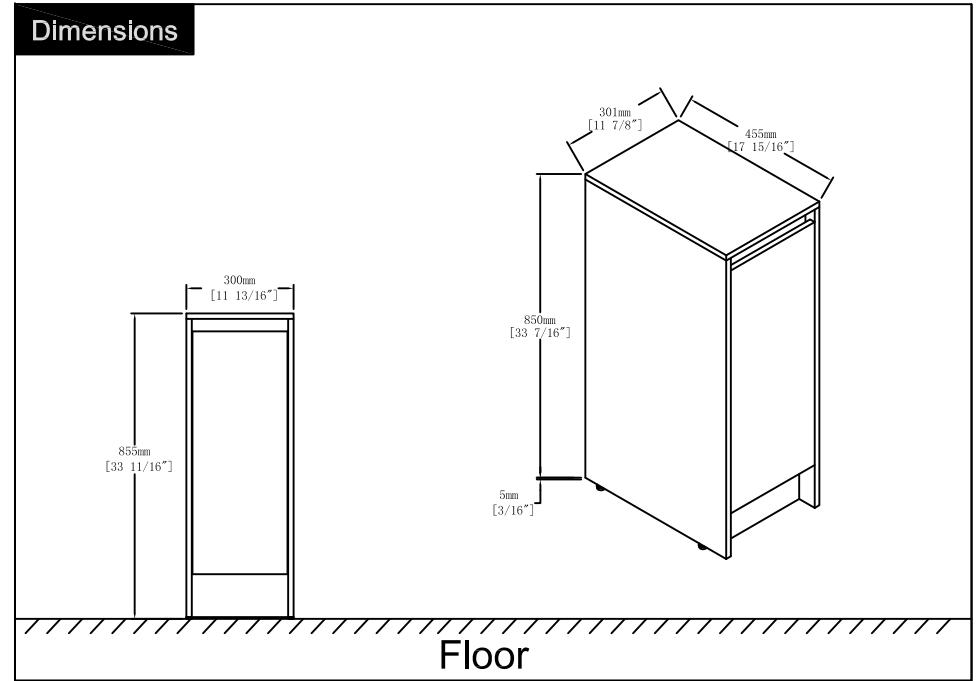
Step 13



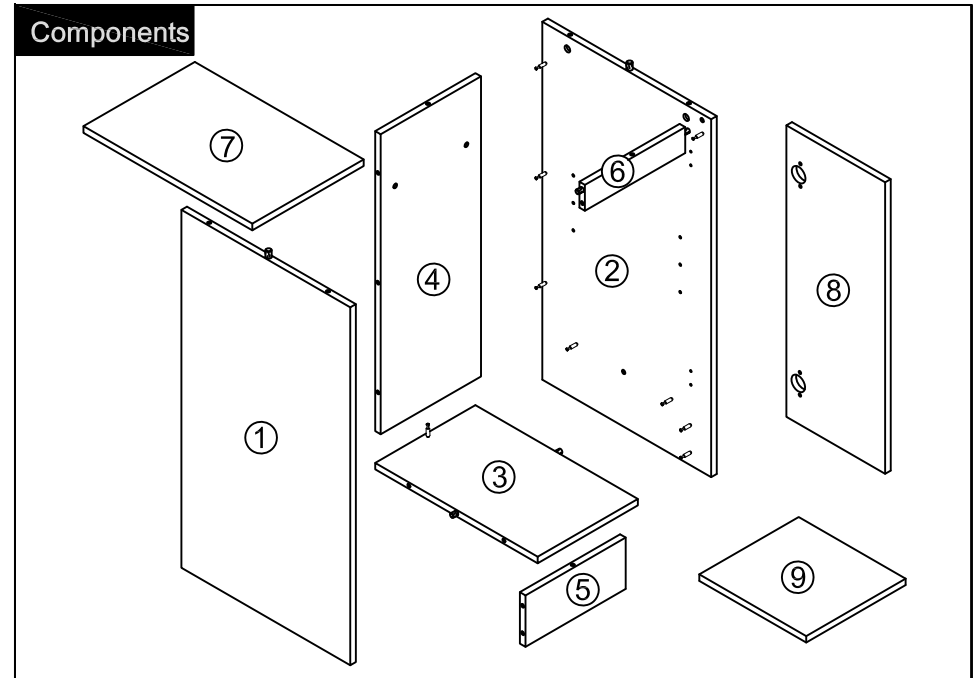
Finished

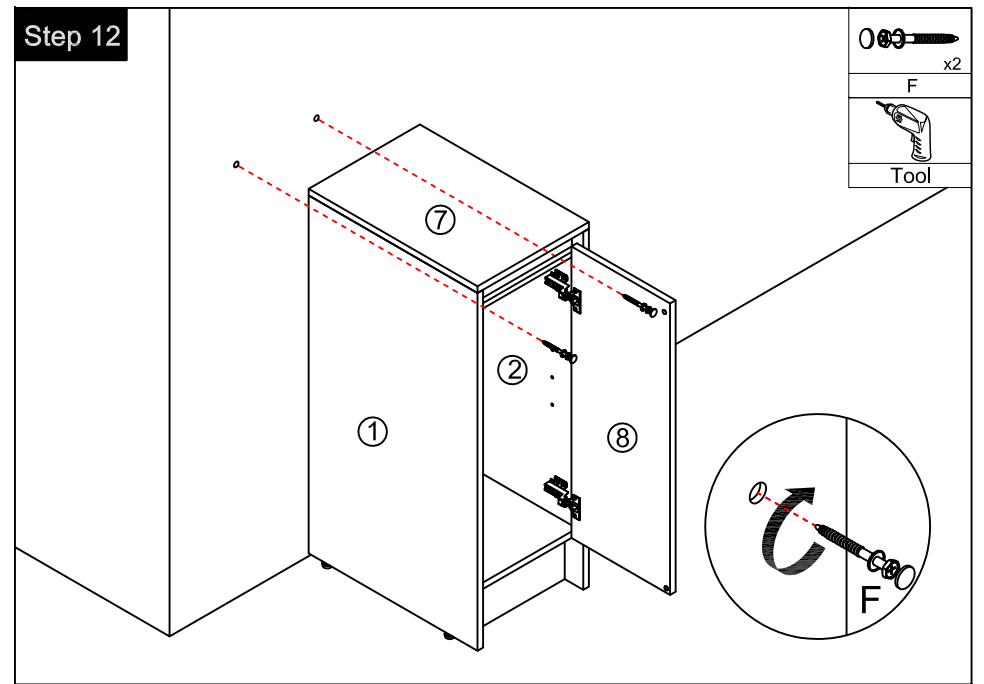
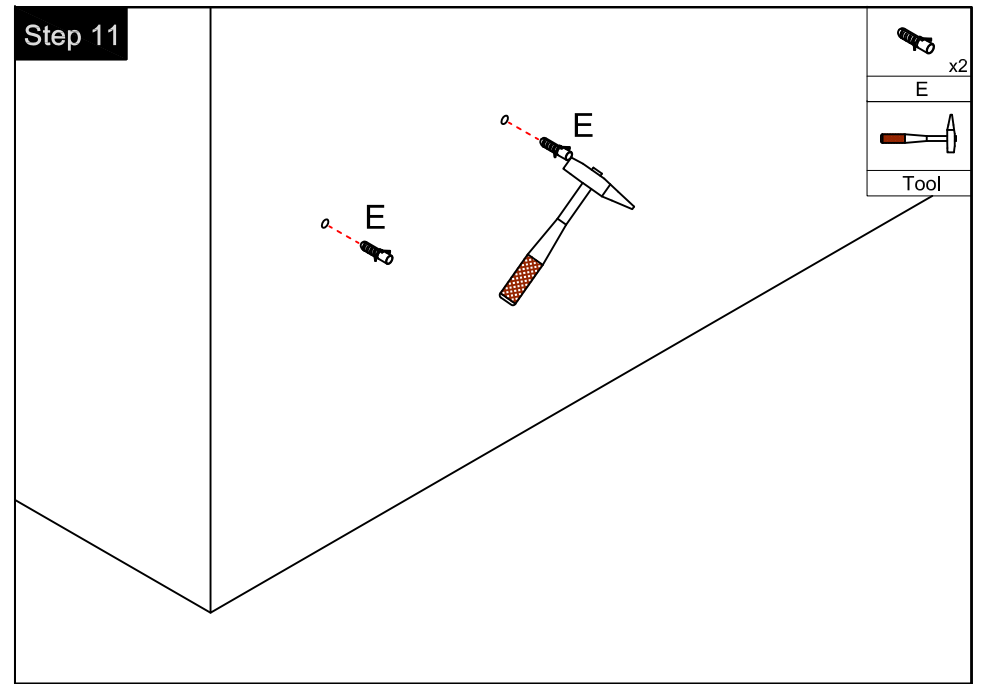
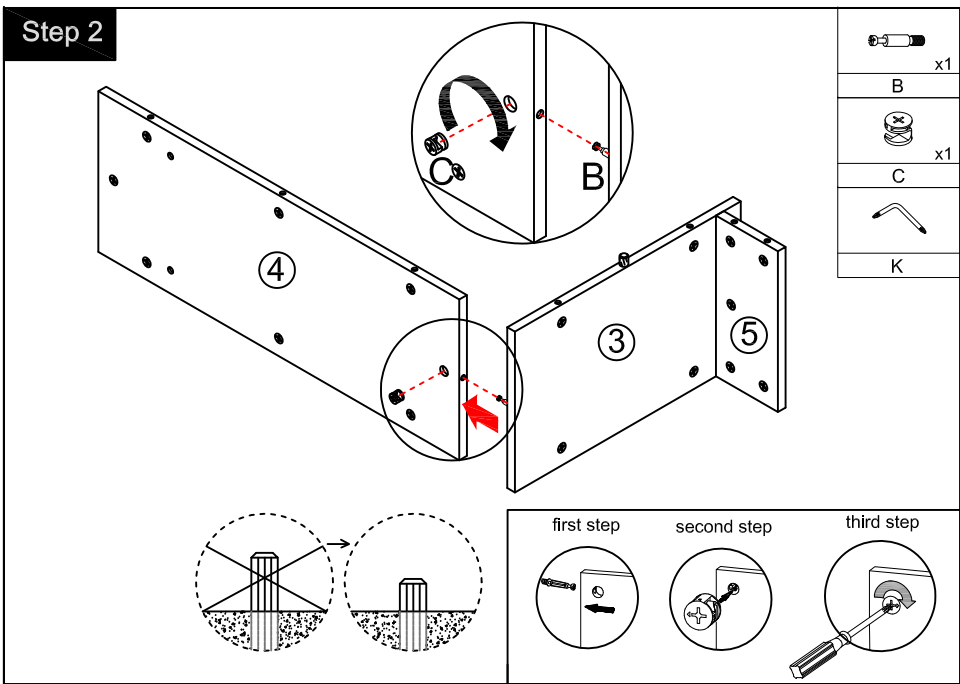
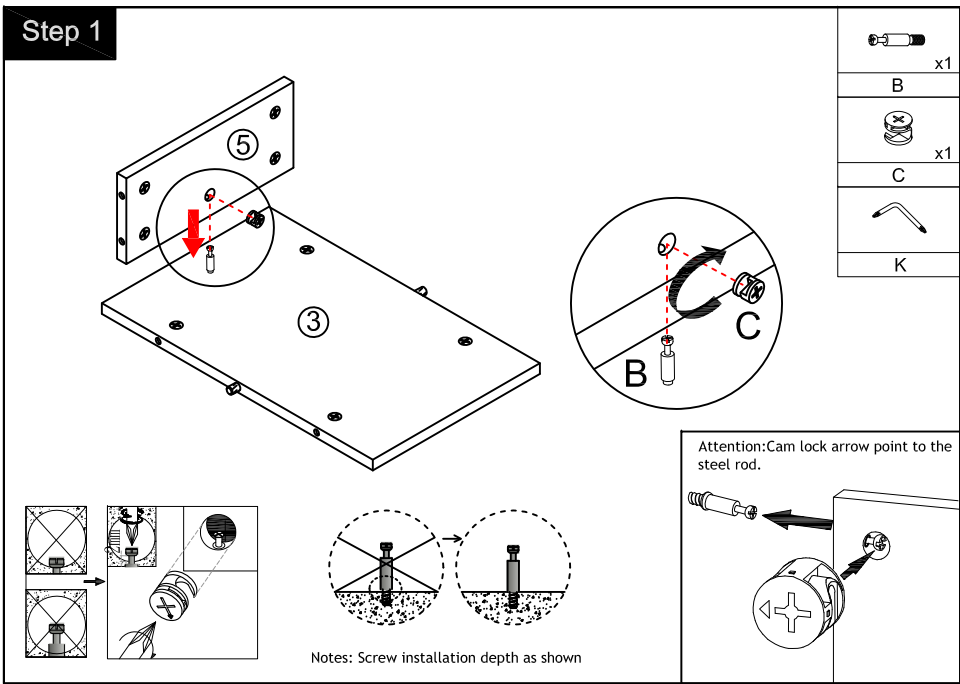


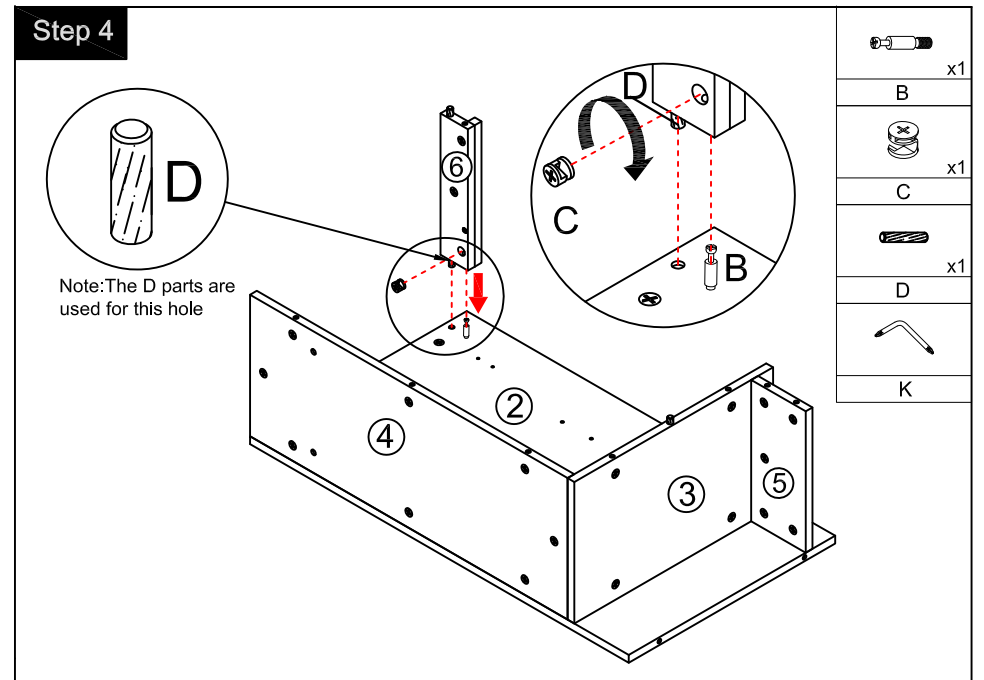
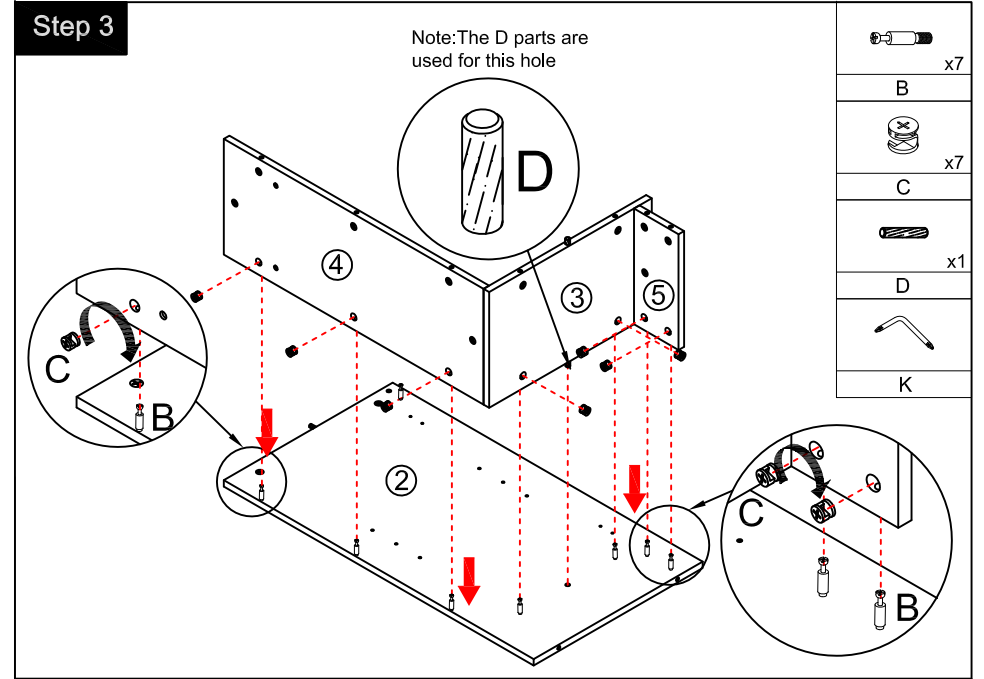
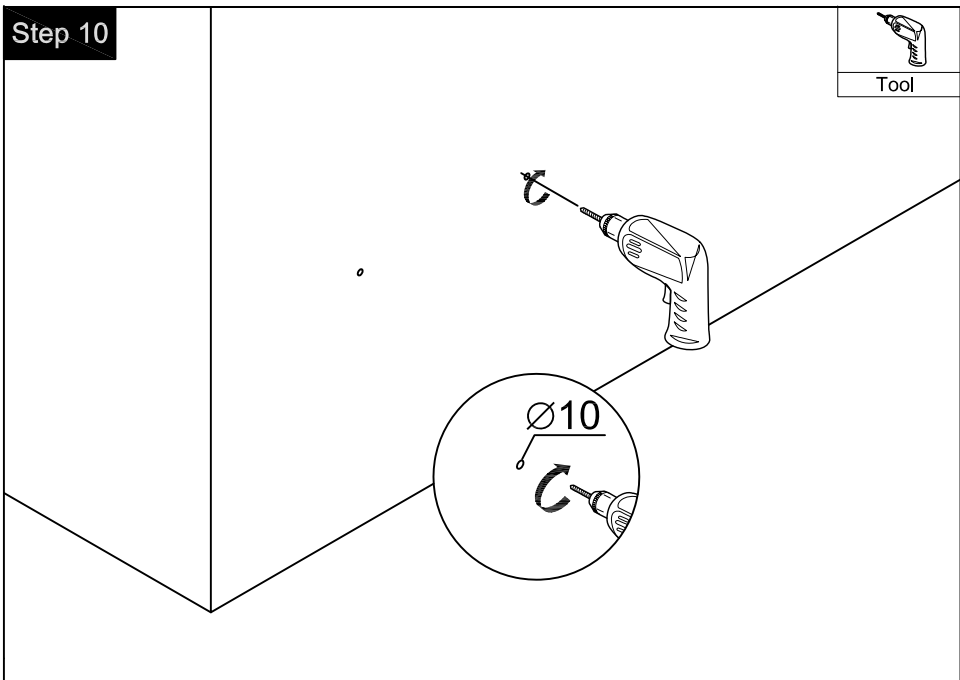
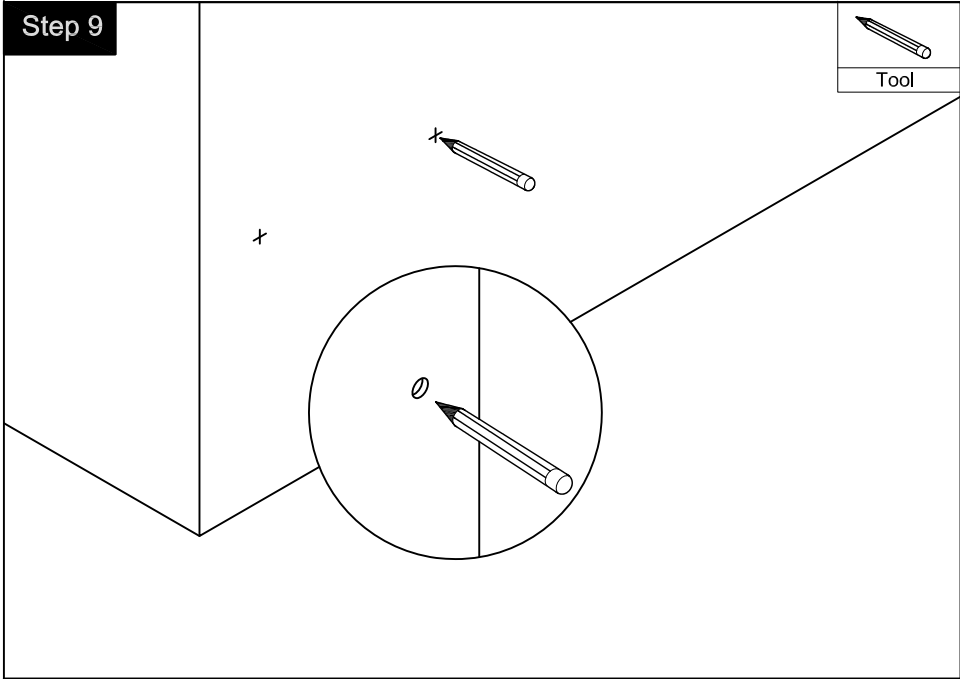
Dimensions



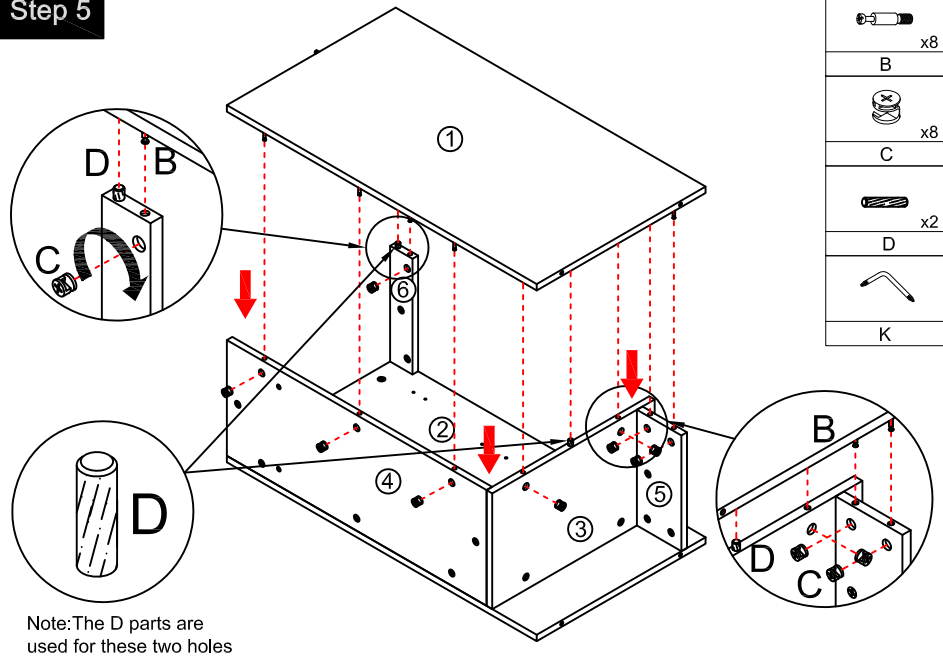
Components



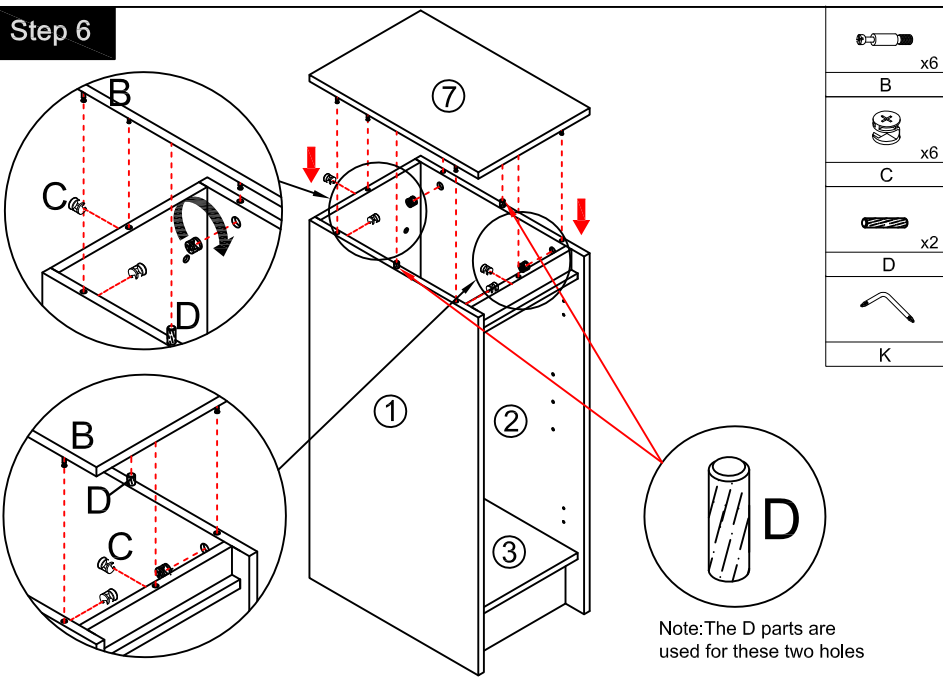




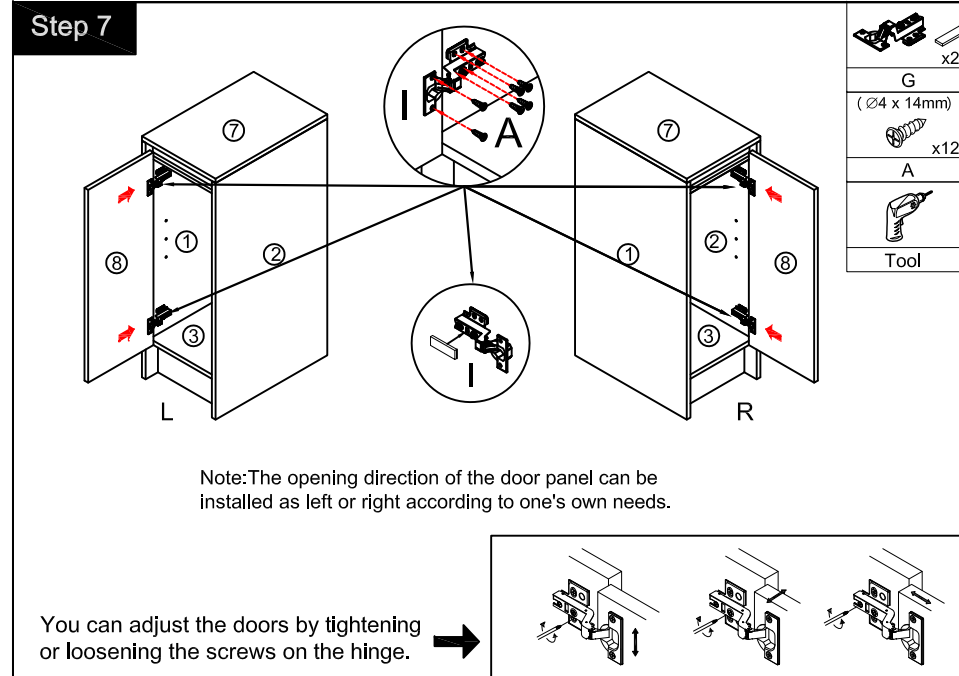
Step 5



Step 6



Step 7



Step 8

