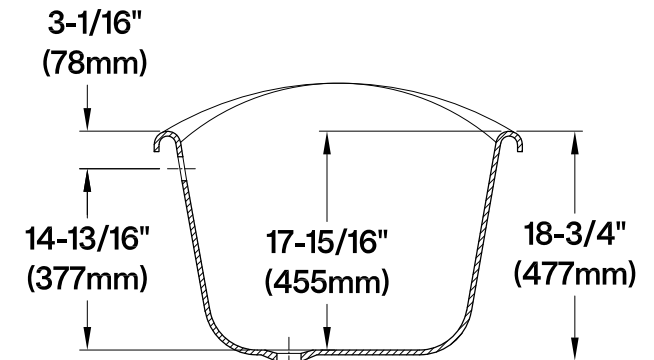
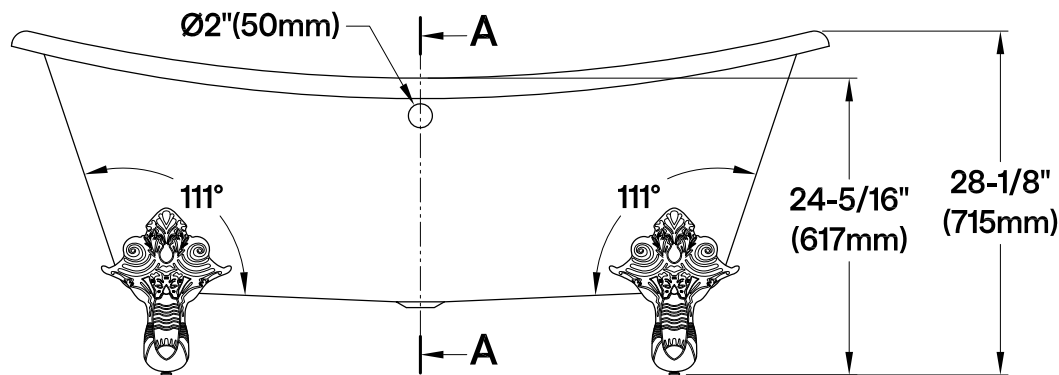
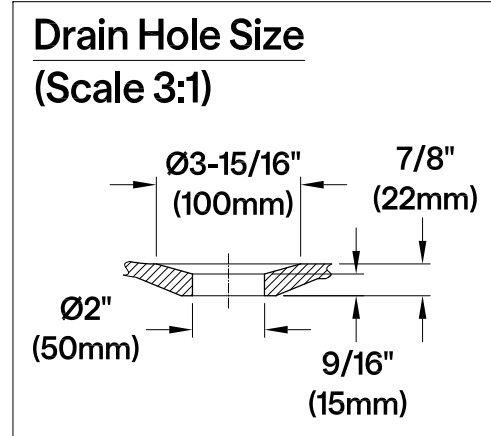
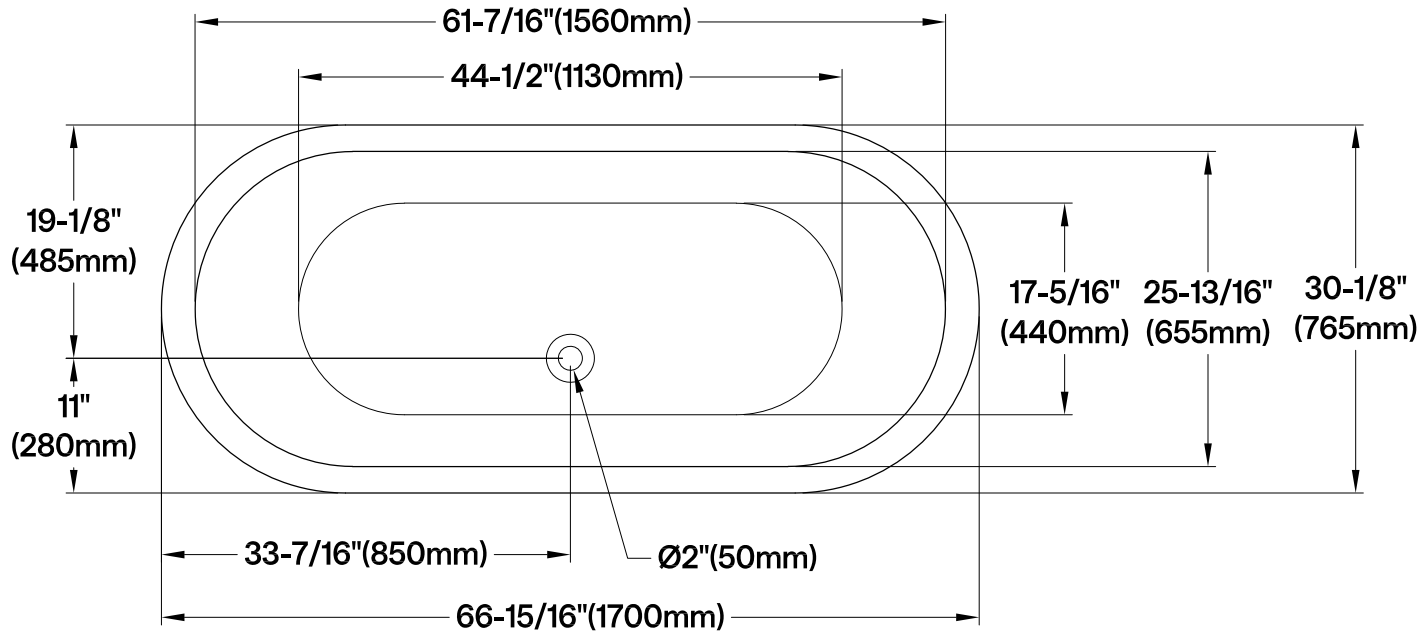


# VCTNDS6731NL0,1,2,5,7,8,W

## 67" Cast Iron Clawfoot Tub

**M10 x 20 (4 pcs)**

■■■■



**Section A-A**