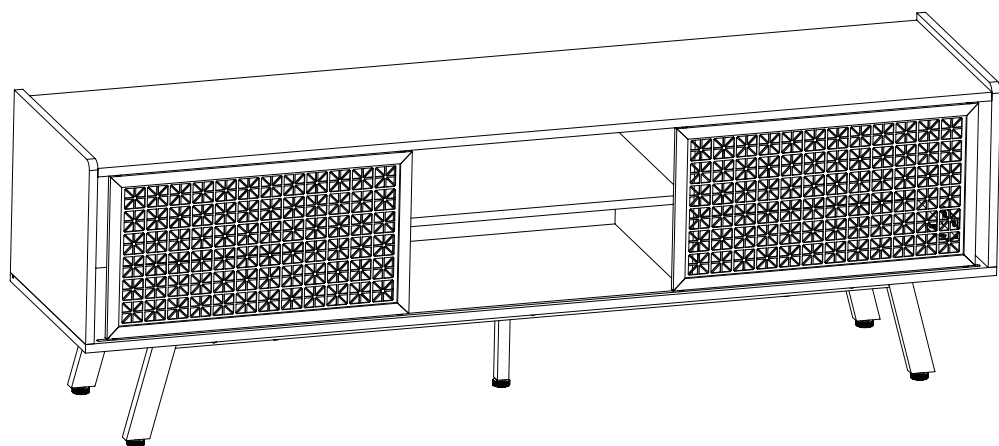
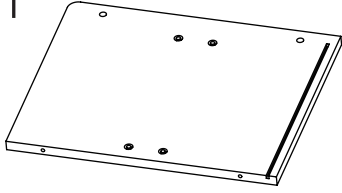


USER'S MANUAL

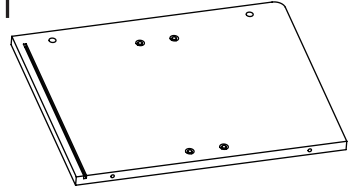


PARTS LIST

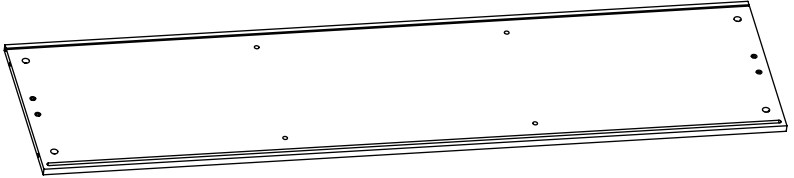
A x 1



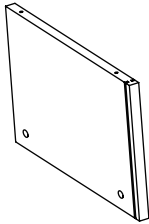
B x 1



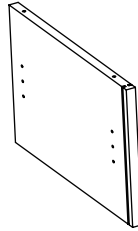
C x 1



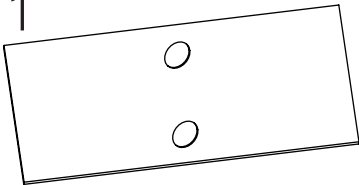
D x 1



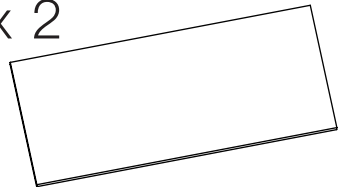
E x 1



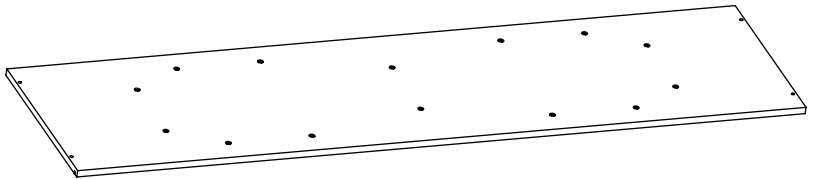
F x 1



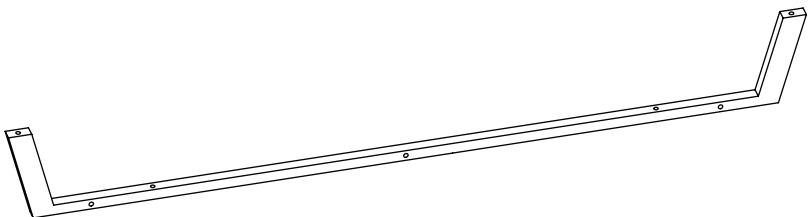
G x 2



H x 1

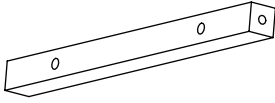


J x 2

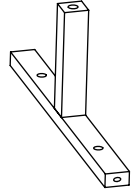


PARTS LIST

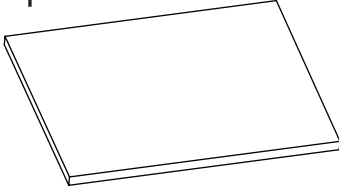
K x 2



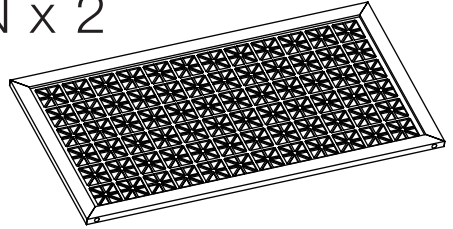
L x 1



M x 1



N x 2



Hardware

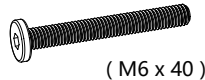
① x 16



② x 10



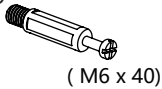
③ x 6



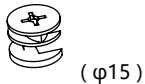
④ x 8



⑤ x 8



⑥ x 8



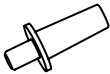
⑦ x 5



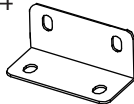
⑧ x 4



⑨ x 8



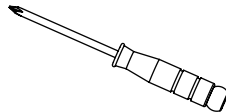
⑩ x 4



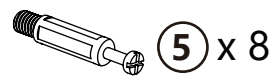
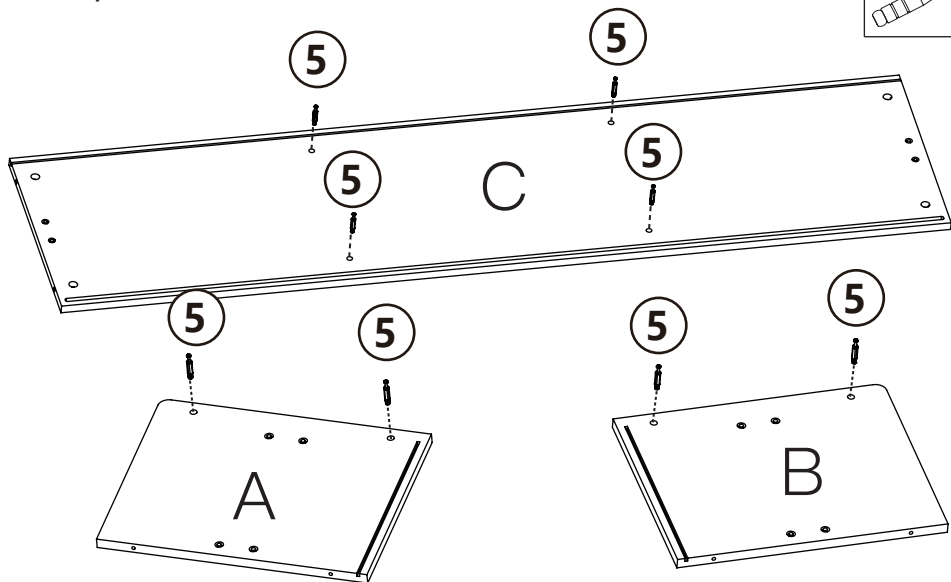
⑪ x 20



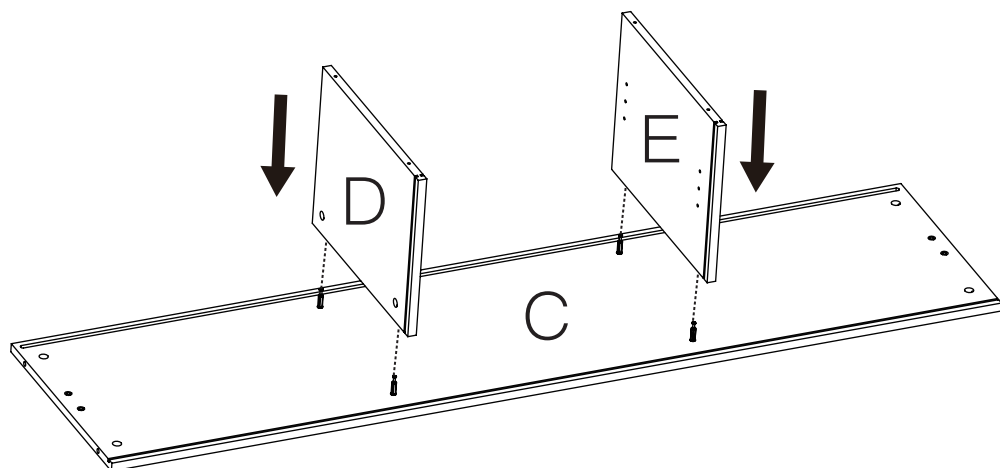
TOOLS



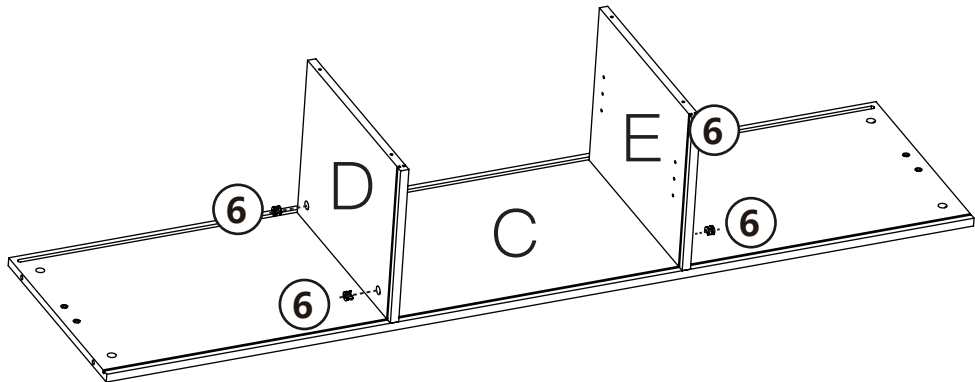
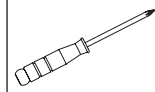
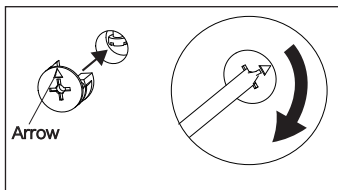
Step 1



Step 2

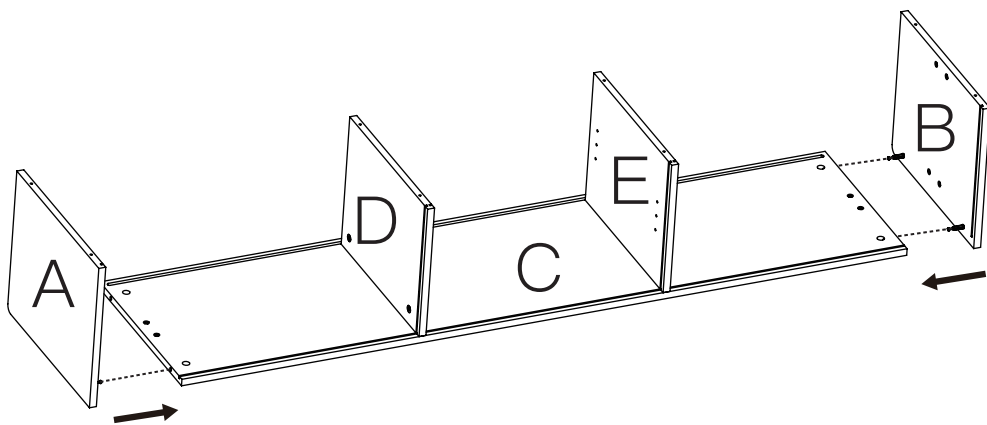


Step 3

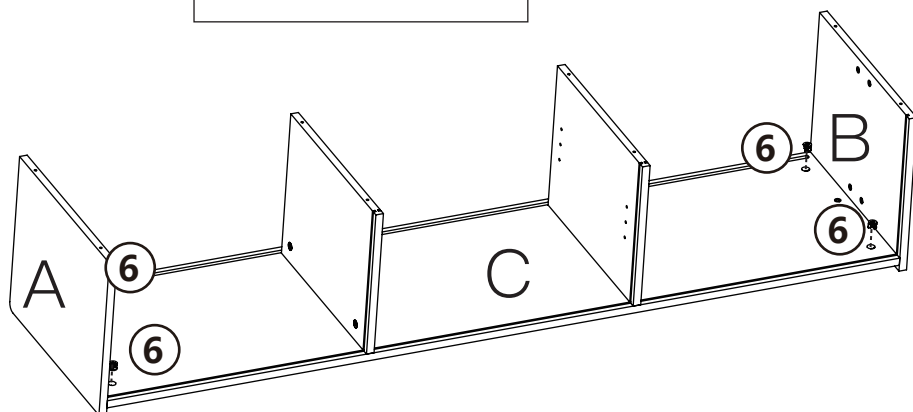
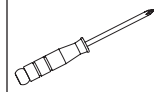
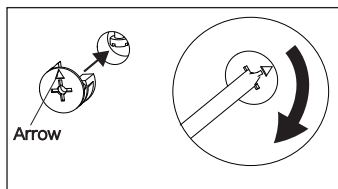


6 x 4

Step 4

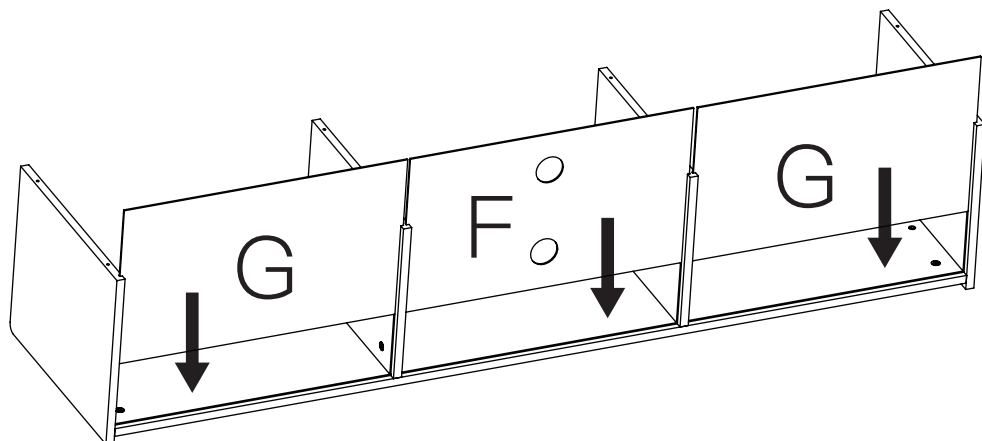


Step 5

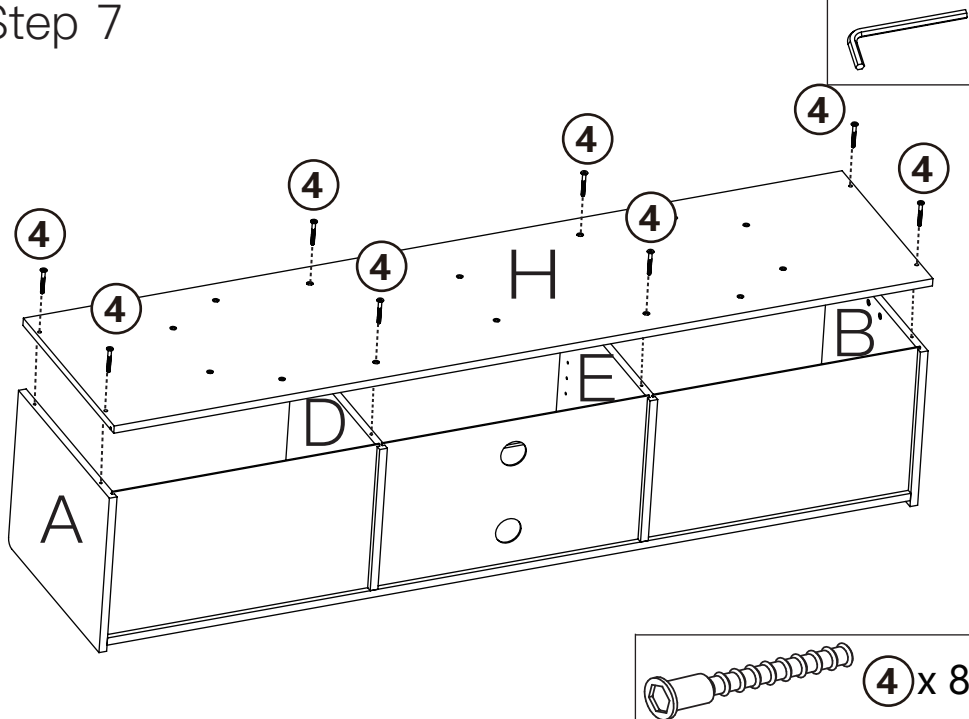


6 x 4

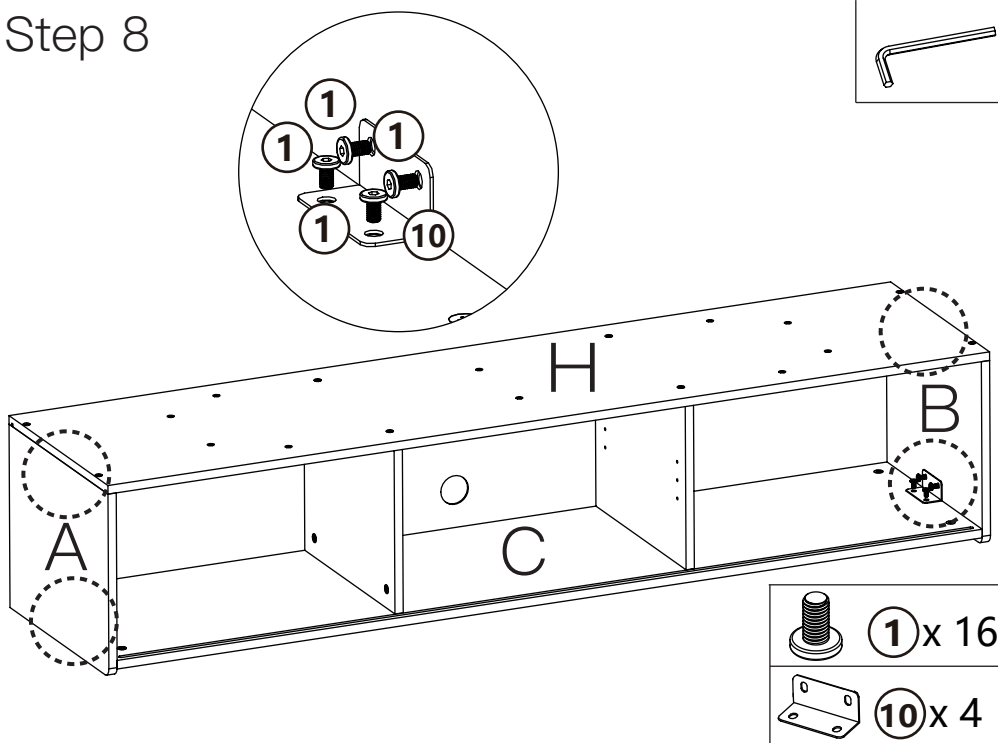
Step 6



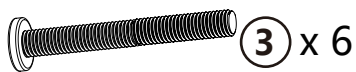
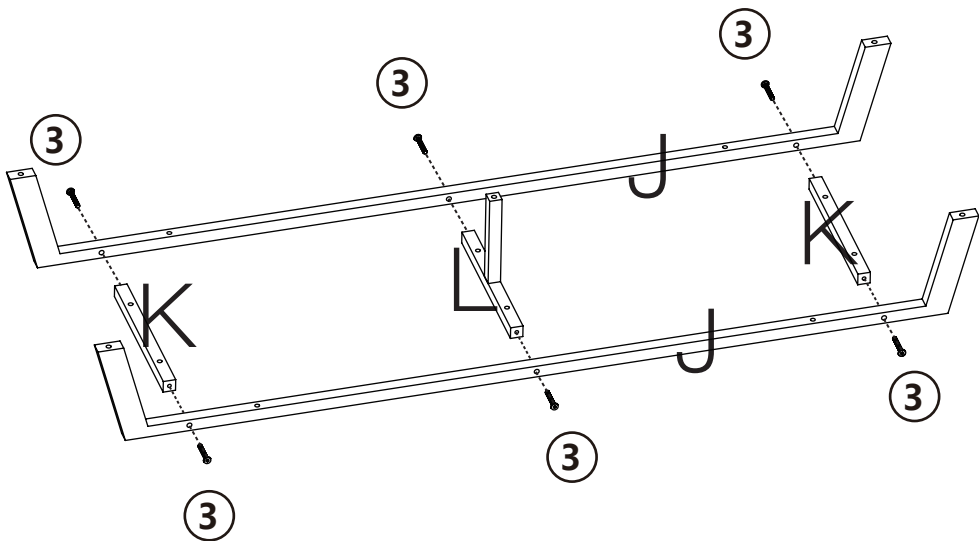
Step 7



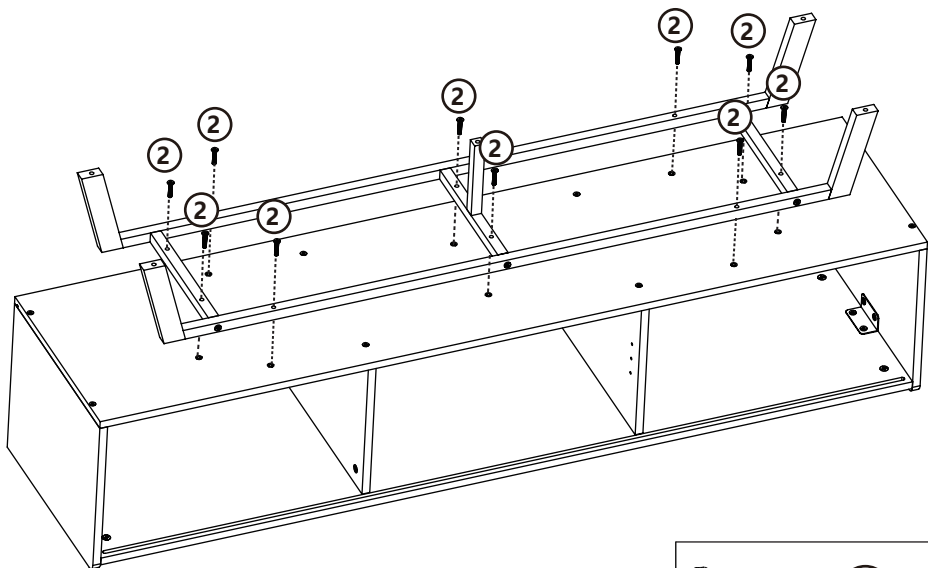
Step 8



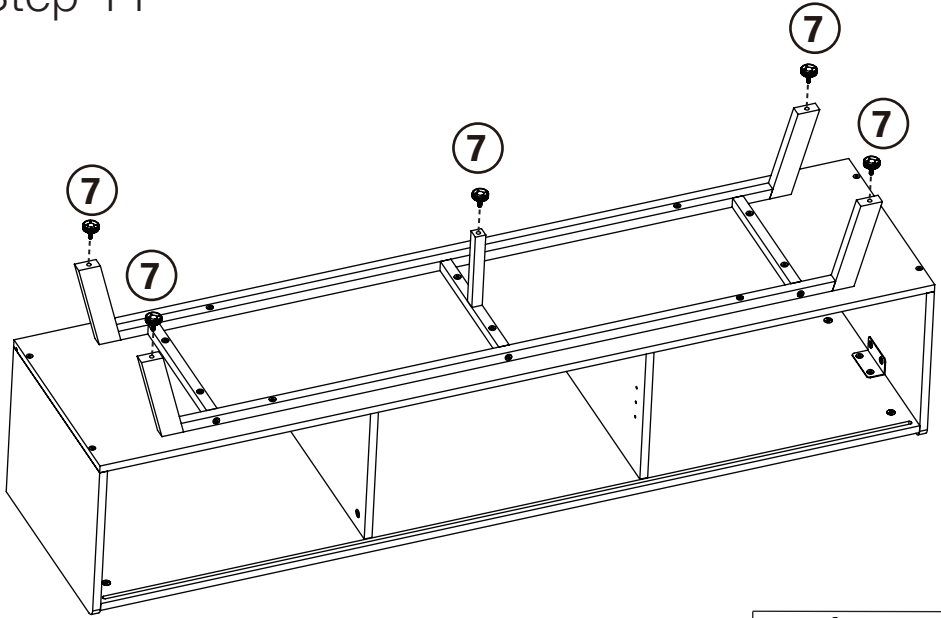
Step 9



Step 10

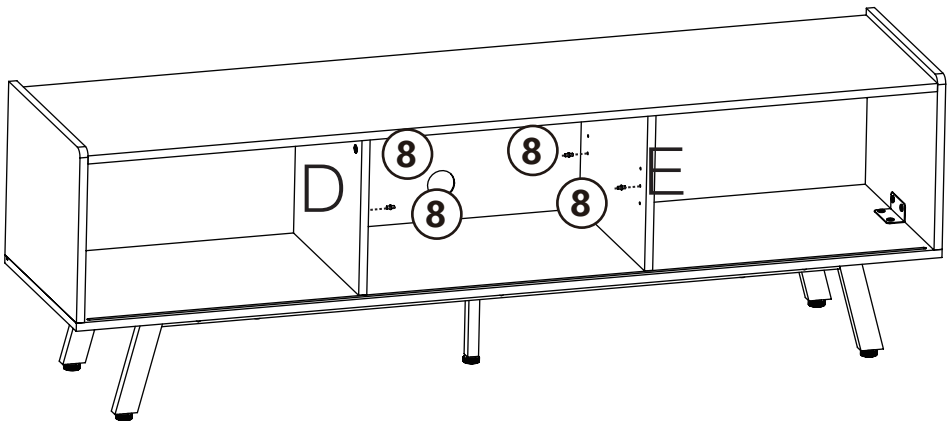


Step 11



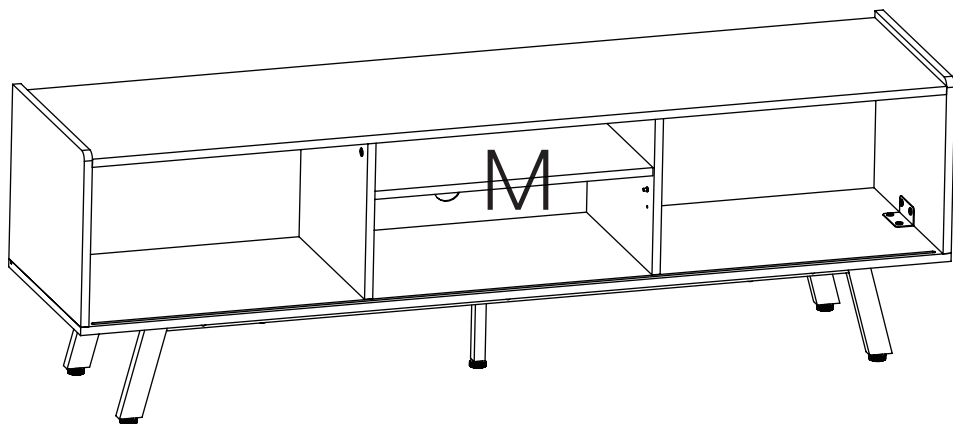
7 x 5

Step 12

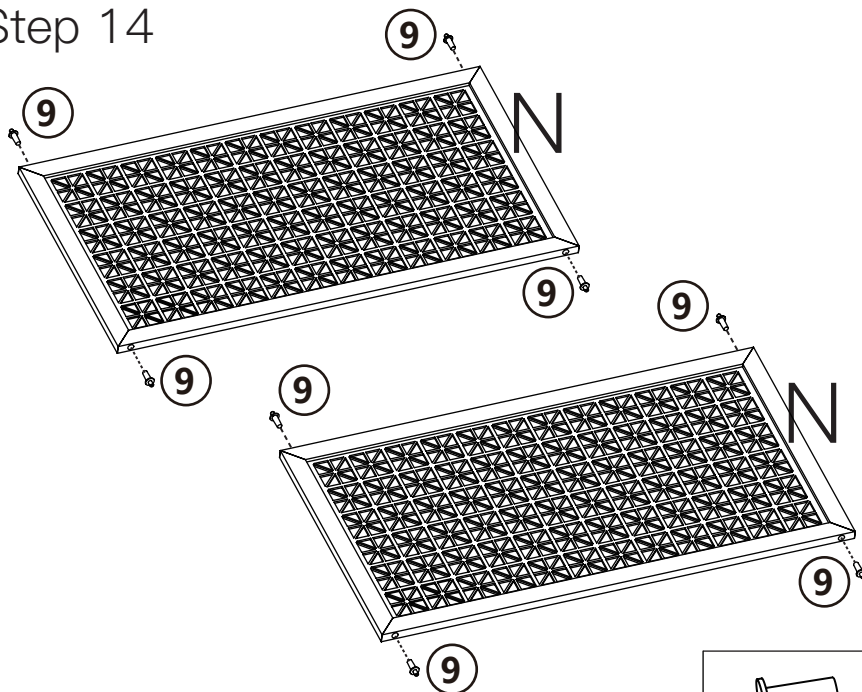


8 x 4

Step 13

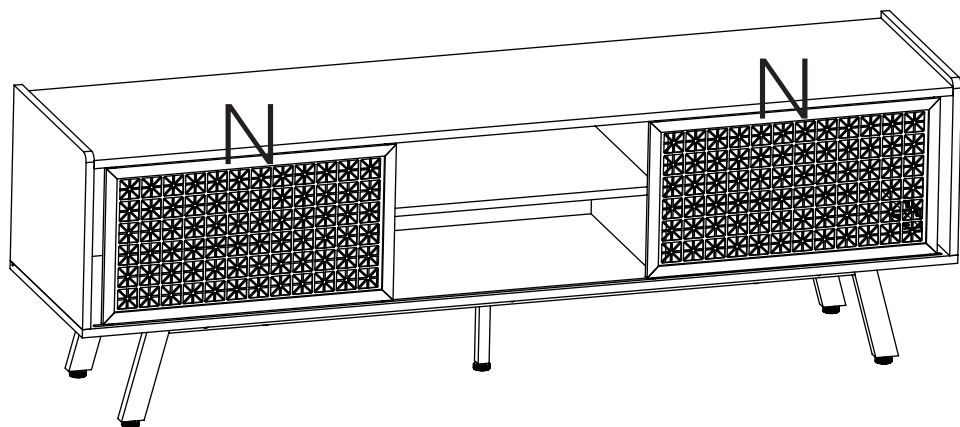


Step 14



9 x 8

Step 15



Step 16

Beautify the installation hole position by using ⑪.

