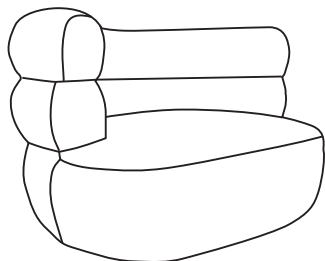
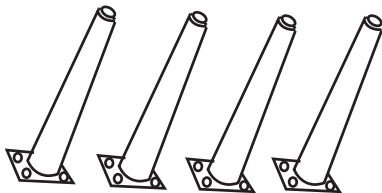


ASSEMBLY INSTRUCTION

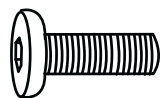
Ax1 CHAIR



Bx4 LEGS



Cx16 SCREWS



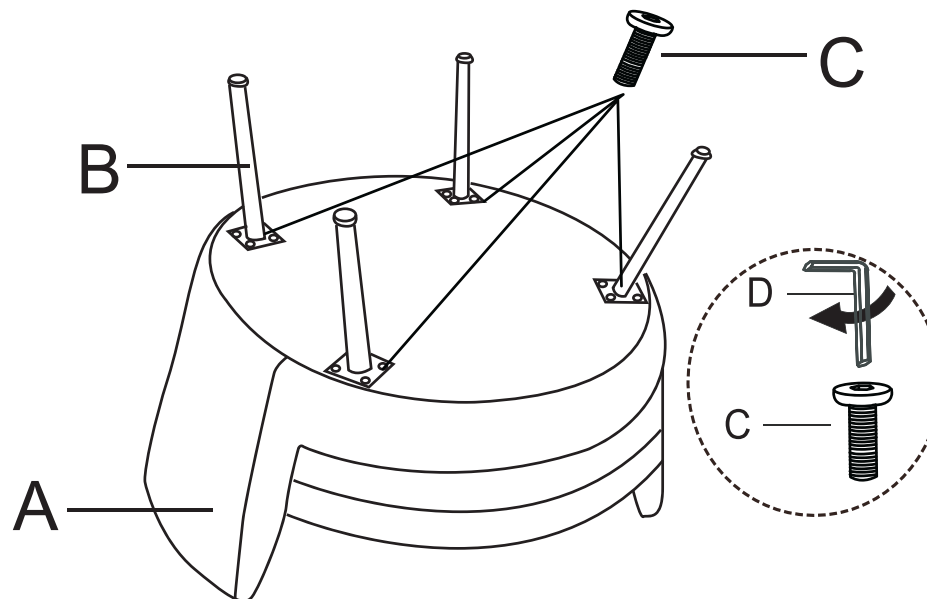
M6x18MM

Dx1 HEX KEY

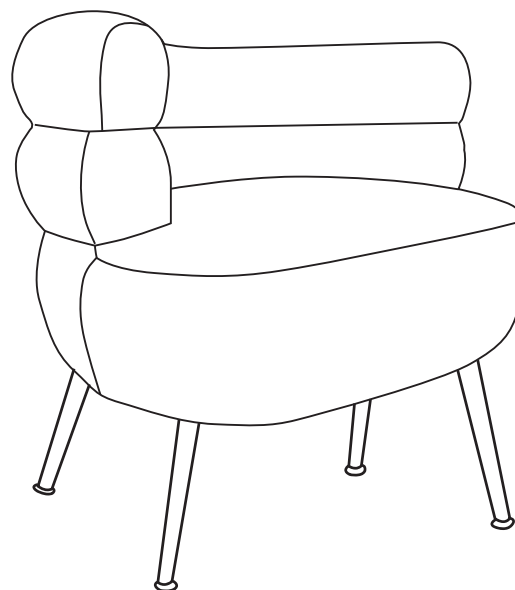


M6

1



2



Your chair comes packaged in one box
DO NOT use any sharp objects to open plastic wrapped components as damage to product or components may result.-
Carefully remove all of the components from the packaging and set aside for assembly.
Assemble on a soft surface to prevent scratching the finish

Your Chair style may differ from images. Care for your furniture by periodically tightening all bolts using the included hex key. Fabric will fade or discolor in direct sunlight. Minimize exposure to direct sunlight to extend the life of your furniture.

CAUTION: Tighten all components securely before use. Failure to do so may result in personal injury