

Instruction Manual

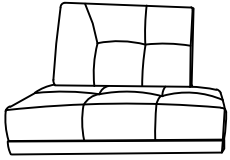
Thank you for shopping with us!

We appreciate your purchase and are ready to be at your service!

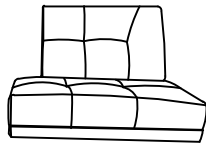
If you find parts missing, broken, or hard to put together or when you are not satisfied or have any valuable suggestions, please do not hesitate to contact us first!

We will definitely give you a satisfactory solution or answer then!

Accessories list



Left seat frame



Right seat frame



Coffee Table Board(1)



Armrest bag(2)

A



M5x95x35wrench(1)

B



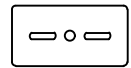
16mm gasket (4)

C



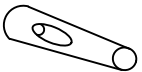
8*60screw(4)

D



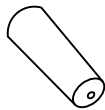
5x12x3 foot plate(2)

E



Sofa foot(4)

F



Middle foot of sofa(2)

G



M4x65x23wrench(1)

H



6x40screw(4)

I



15mm gasket (8)

J



8*25screw(2)

K

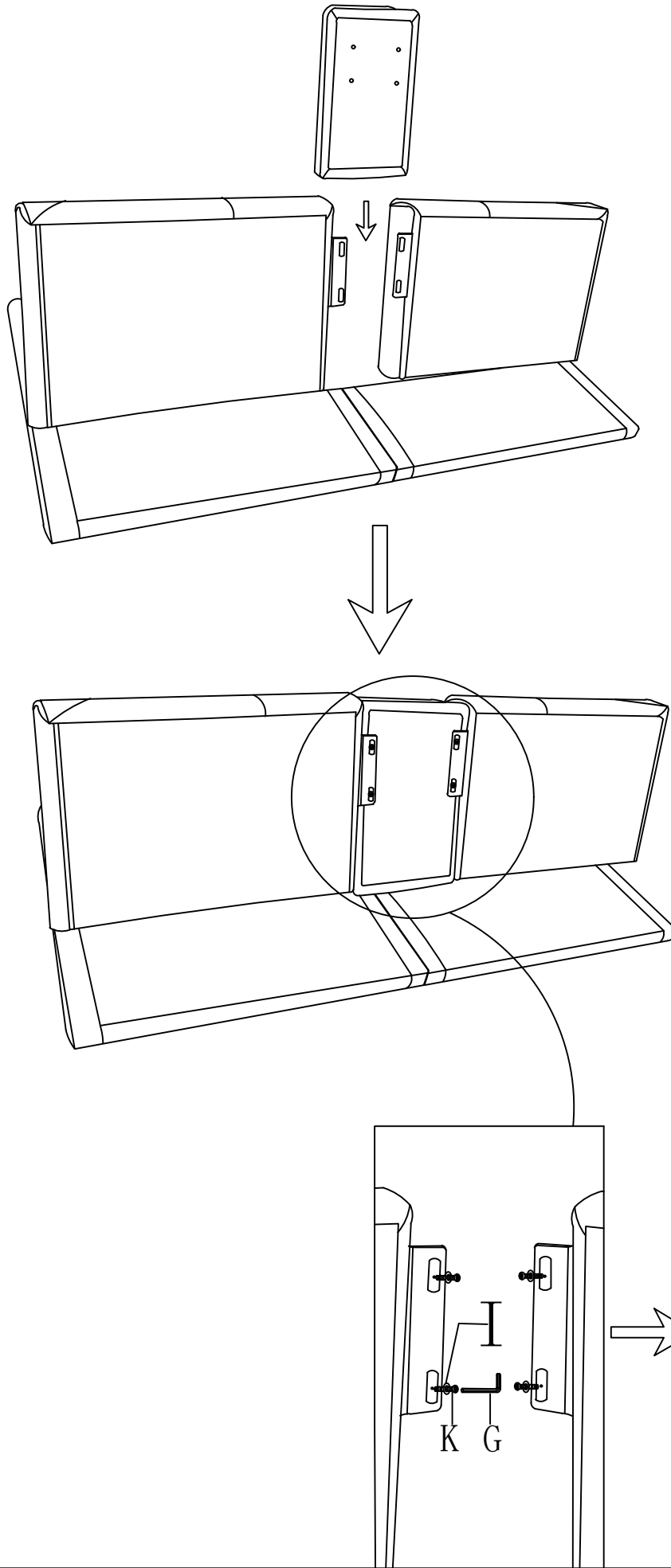


6*18screw(4)



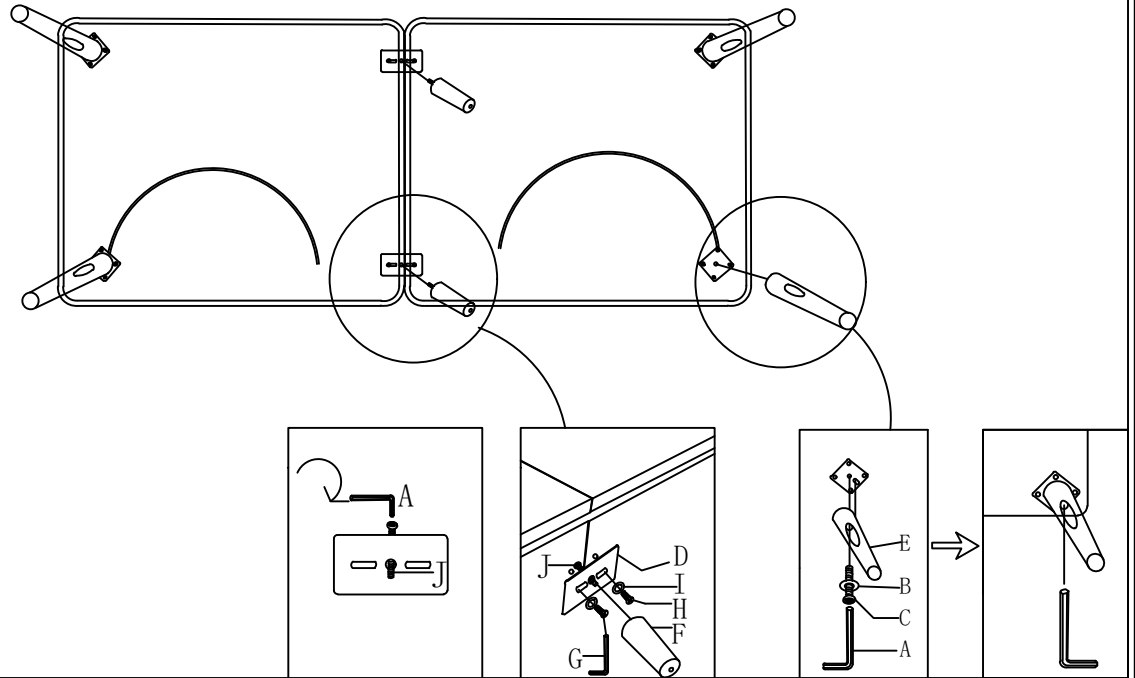
38mm Woolenmat (6)

STEP 1: Install the coffee table on the sofa

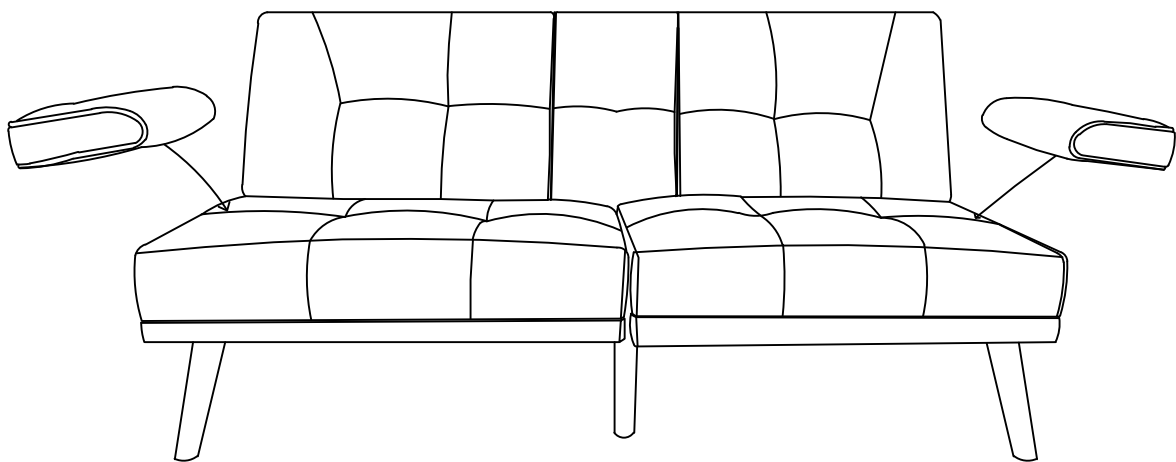


STEP 2:

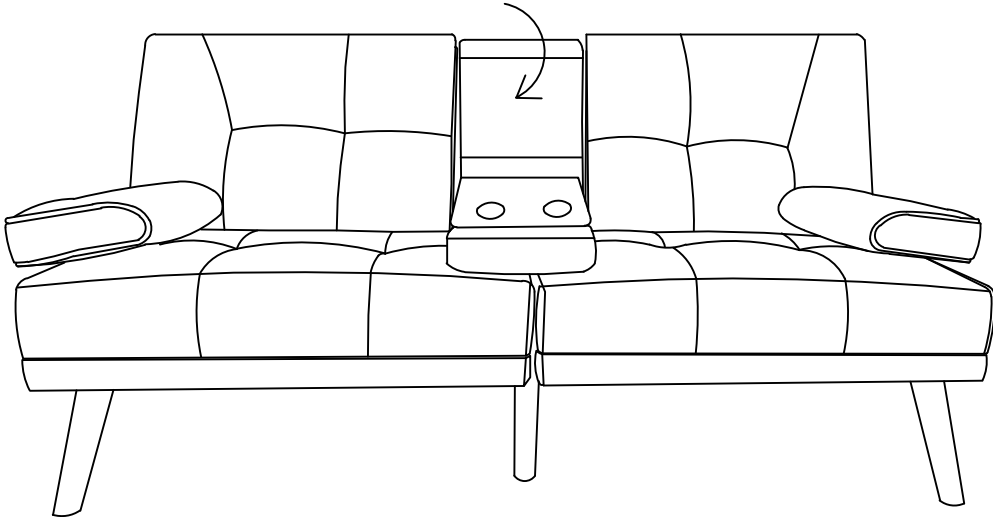
Link the middle fixing hardware of the sofa and install the sofa legs



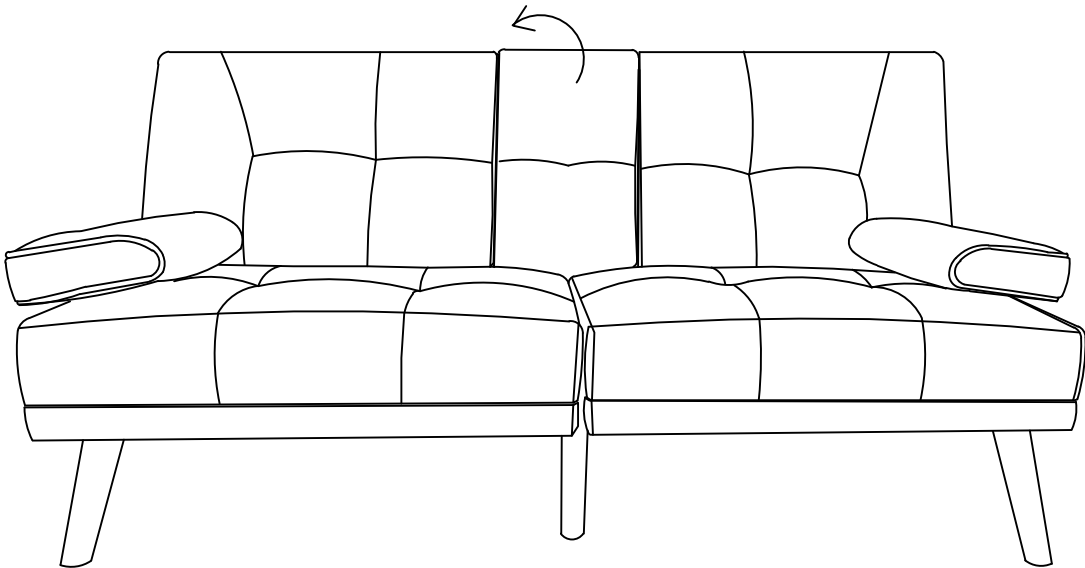
STEP 3: Put the armrest bag on the sofa



STEP 4: Put down the coffee table



STEP 5: The backrest of the sofa is adjustable



STEP 6: Assembly completed

