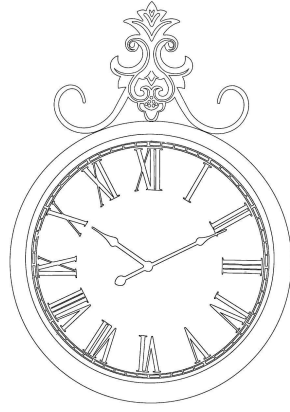

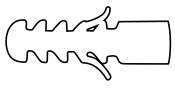

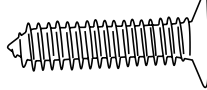


ASSEMBLY INSTRUCTION

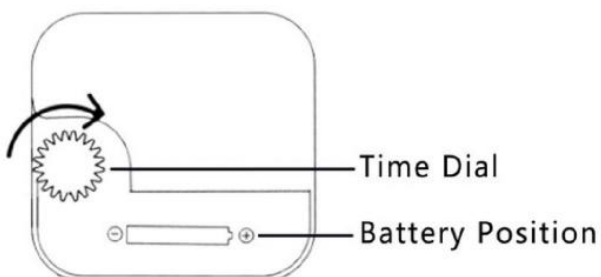


ACCESSORIES LIST

Code	Diagram	QTY	Code	Diagram	QTY
A (Clock)		1pcs	B (Plastic anchors)		1pcs
C (Plastic anchors for gypsum walls)		1pcs	D (Tapping Screws)		1pcs

SETTING THE TIME

- Insert a "AA" battery (not included).
- Ensure the built-in movement starts running.
- Slowly rotate the time dial clockwise to set the correct time.



WARNING

- **DO NOT** rotate the time dial counterclockwise.
- Allow 10 minute for minute hand moving (NO SECOND HAND).
- **Contact us** If there any issue with the clock hand during the time setting process

Note :

1. Please prepare all the shown tools before installation.



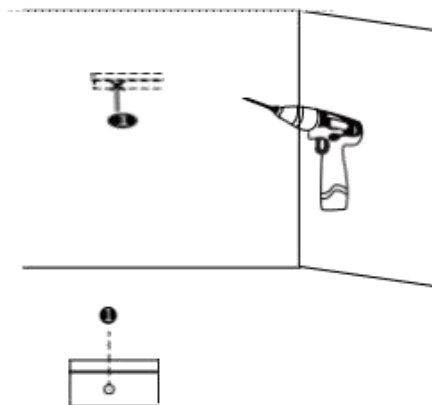
2. Recommend 2 people for assembling as the item is heavy.

3. Suitable Wall Types

Acceptable	Concrete walls, Wood stud walls, Brick walls
Not Recommended	Hollow walls (e.g., non-structural drywall, plasterboard)

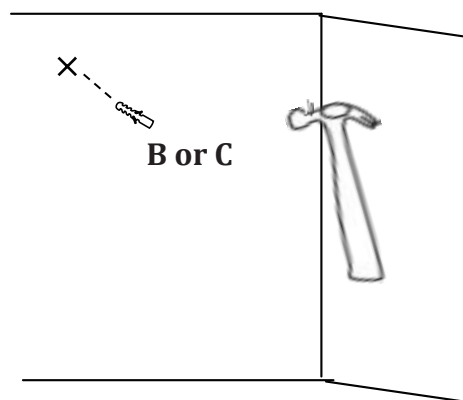
ASSEMBLY STEPS

Step 1



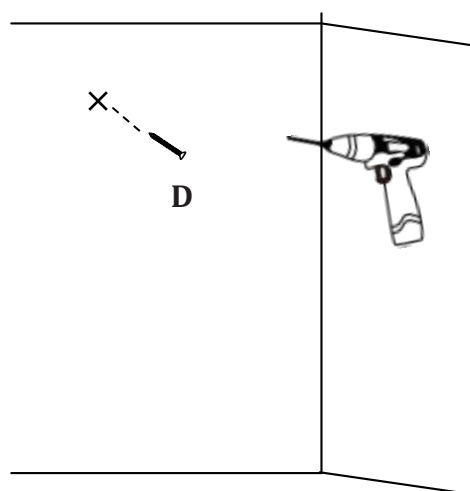
Punch 1 holes in the wall with an electric drill at the proper height.

Step 2



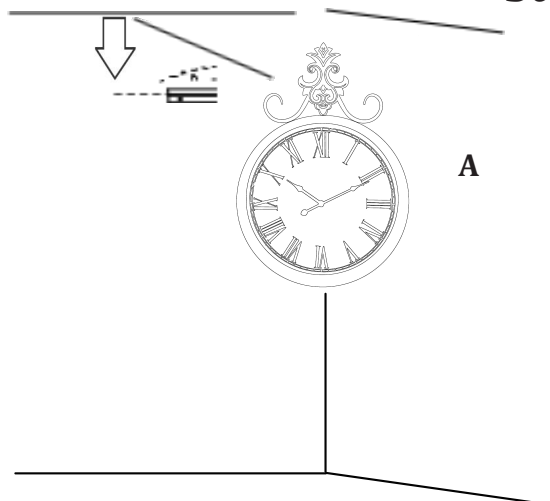
Insert the Plastic anchors.
NOTE: No. B rubber plug for solid walls.
No. C rubber plug for gypsum walls.

Step 3



Install the screws

Step 4



Place the hangers at the back of the Clock over the screws (with a partner—never solo)