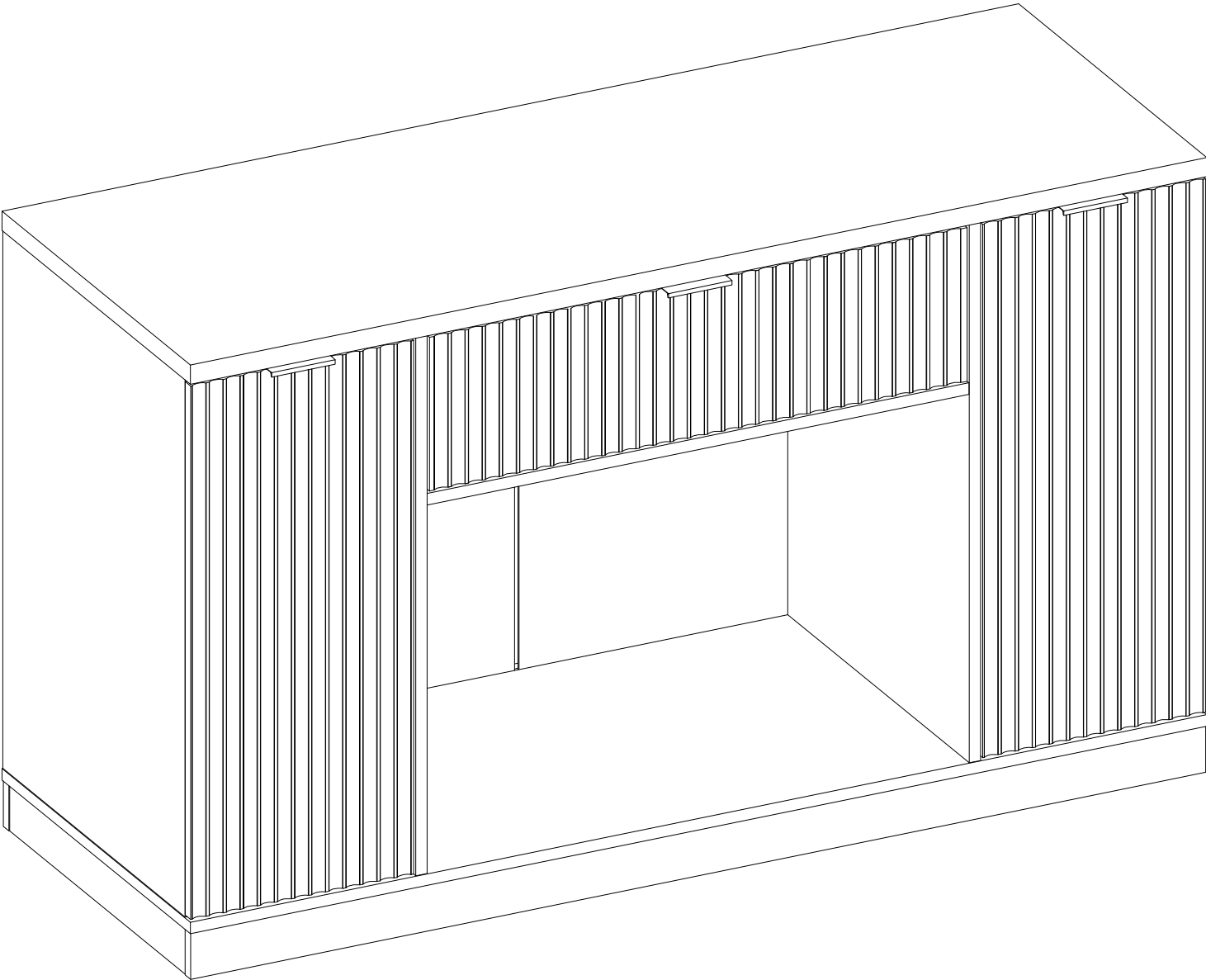


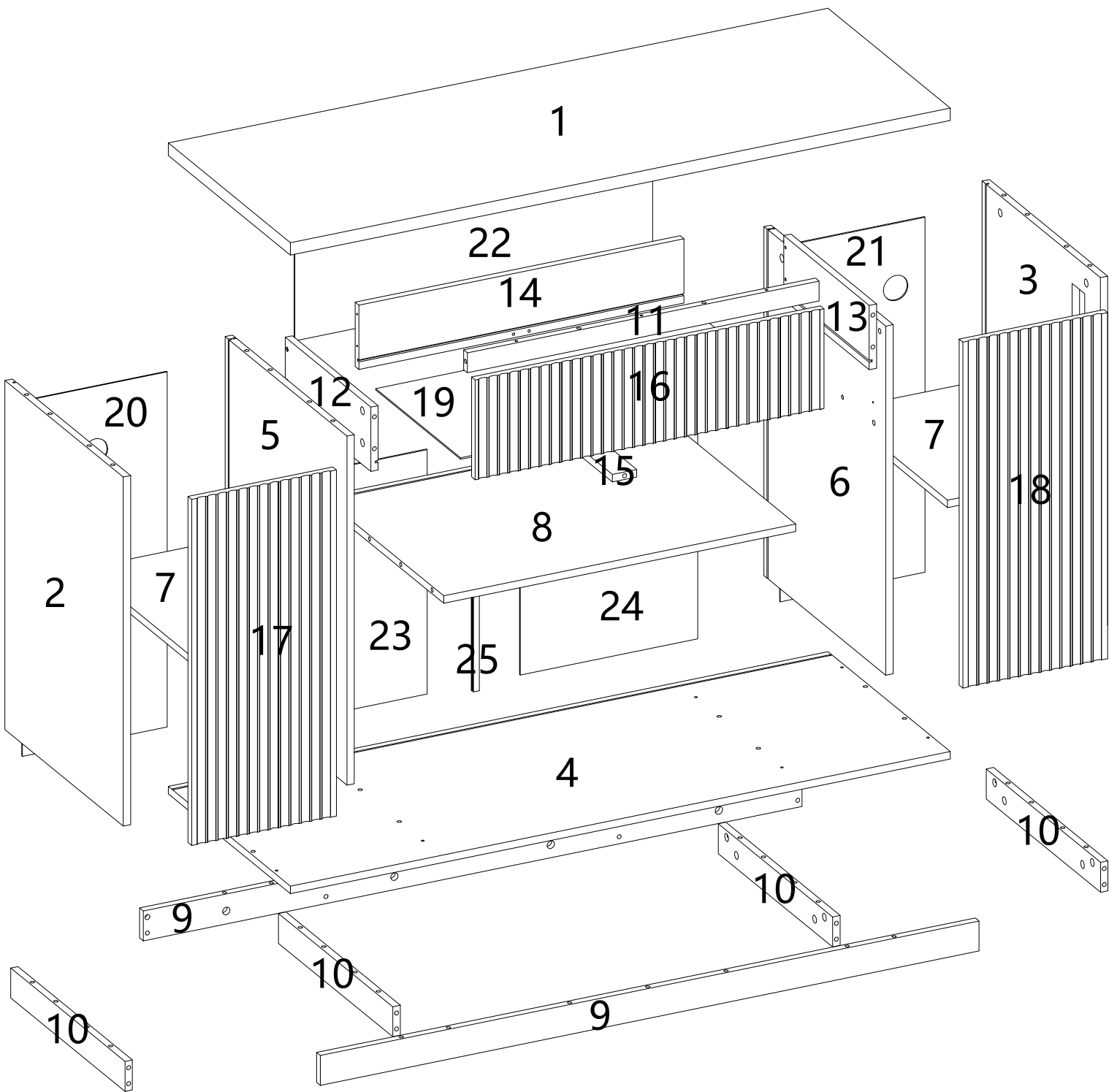
NOTICE

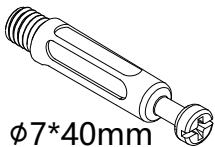
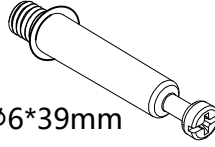
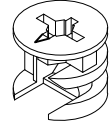
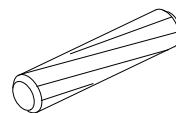
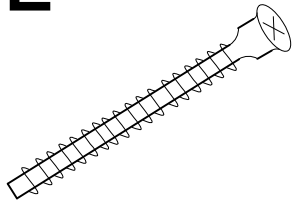
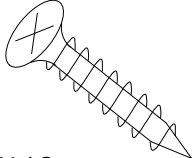
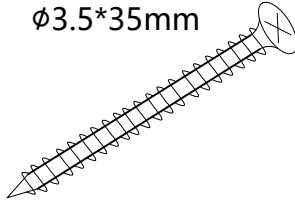
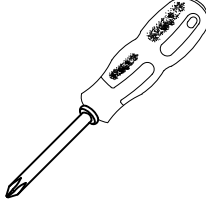
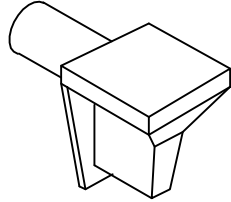
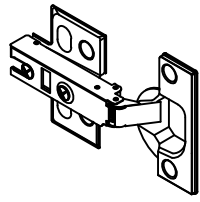
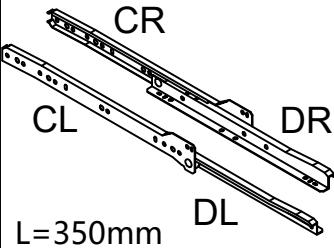
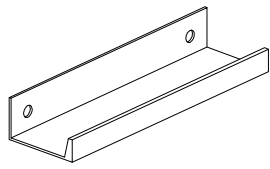


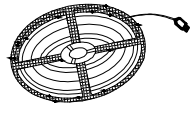
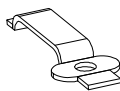




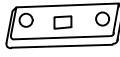
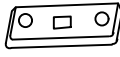



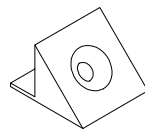
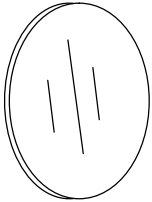
Dear Customer,

All of our products have got strict quality inspection, but we can't guarantee that each set got no issues. When you get troubles with installation or found any product issues, such as wood breakage, lacquer scratch, toolkit missing etc, we hope that you can contact before you give feedback or review, we will solve your problem until you are satisfied, thank you!

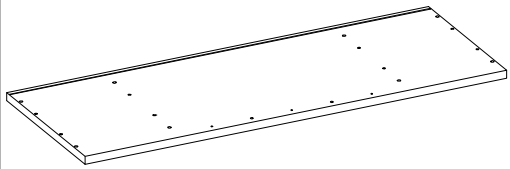
USER MANUAL





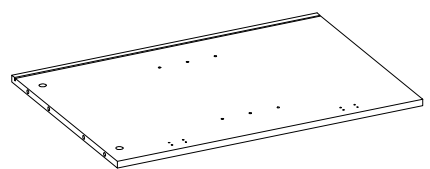
<p>A</p>  <p>φ7*40mm</p> <p>38PCS</p>	<p>B</p>  <p>φ6*39mm</p> <p>5PCS</p>	<p>C</p>  <p>φ15*9.5mm</p> <p>43PCS</p>	<p>D</p>  <p>φ8*30mm</p> <p>44PCS</p>
<p>E</p>  <p>φ5*50mm</p> <p>11PCS</p>	<p>F</p>  <p>φ3.5*12mm</p> <p>58PCS</p>	<p>G</p>  <p>φ3.5*35mm</p> <p>6PCS</p>	<p>H</p>  <p>1PC</p>
<p>J</p>  <p>8PCS</p>	<p>K</p>  <p>4PCS</p>	<p>L</p>  <p>CR CL DR DL L=350mm</p> <p>1PC</p>	<p>M</p>  <p>3PCS</p>
<p>N</p>  <p>N2*2</p>  <p>N1*1</p> <p>1PC</p>	<p>O</p>  <p>O1*1</p>  <p>O3*4</p>  <p>O4*4</p>  <p>O2*1</p> <p>1PC</p>	<p>P</p>  <p>P1</p>  <p>P2</p>   <p>P3</p>   <p>P4</p>  <p>P5</p> <p>2PCS</p>	<p>Q</p>  <p>20PCS</p>
<p>R</p>  <p>43PCS</p>			

1



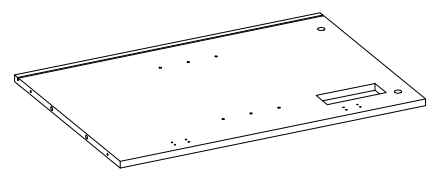
1350*500*15mm 1PC

2



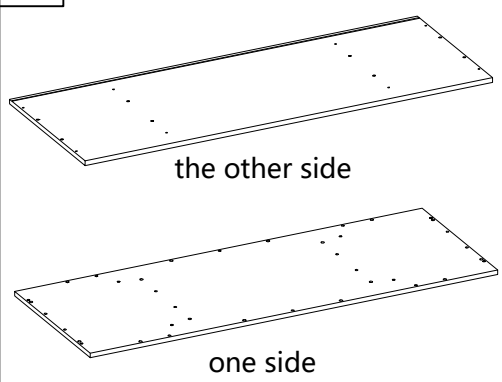
700*484*15mm 1PC

3



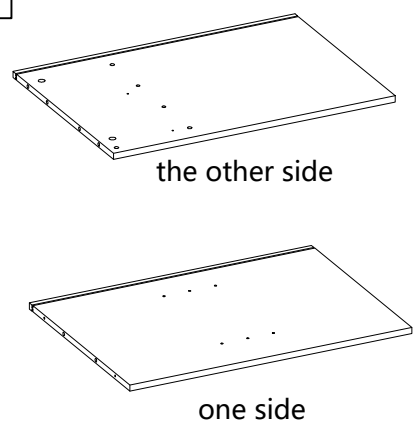
700*484*15mm 1PC

4



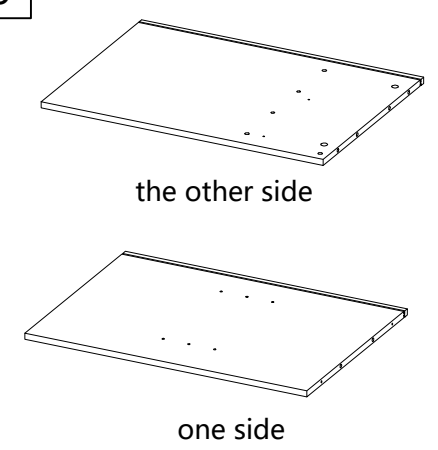
1350*500*15mm 1PC

5



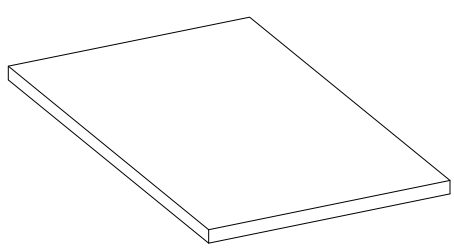
700*499*15mm 1PC

6



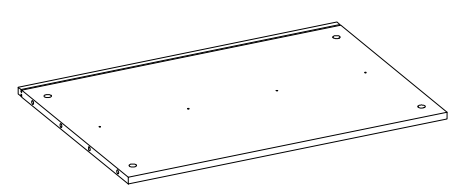
700*499*15mm 1PC

7



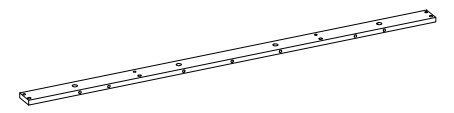
465*282*15mm 2PCS

8



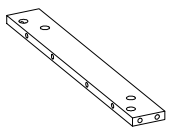
720*498*15mm 1PC

9



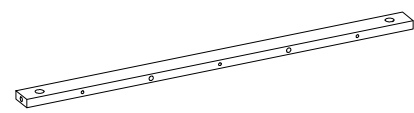
1348*60*15mm 2PCS

10



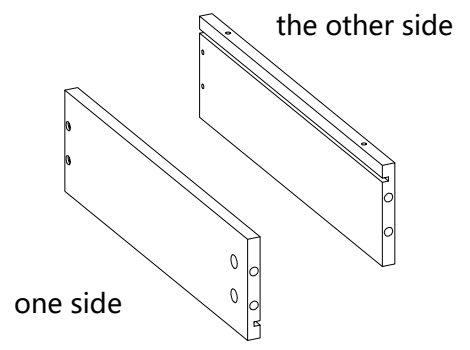
468*60*15mm 4PCS

11

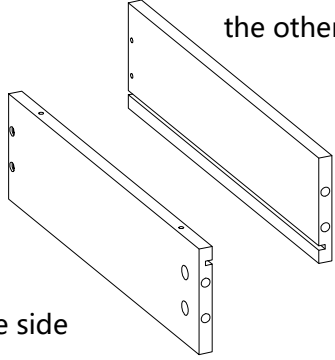
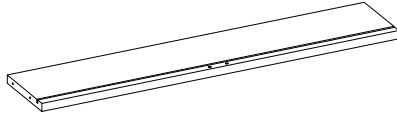
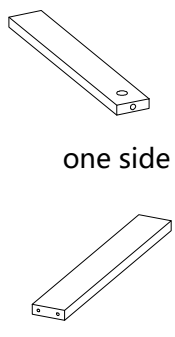
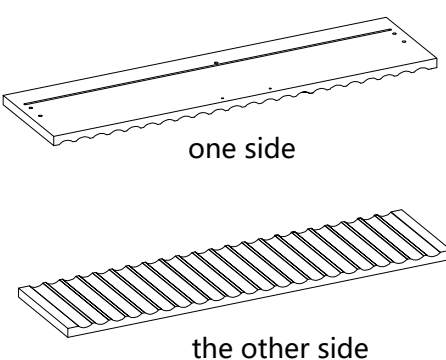
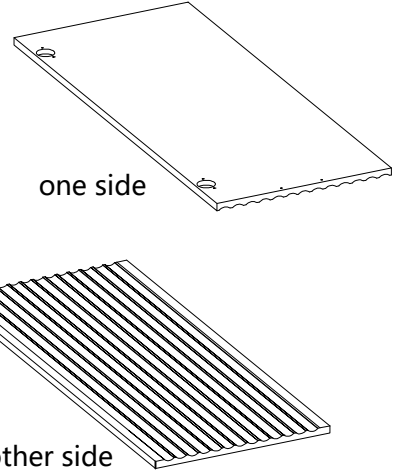
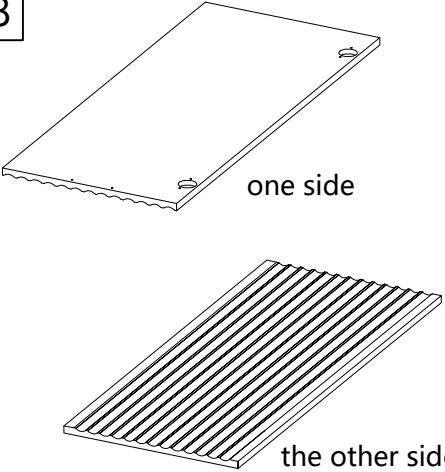
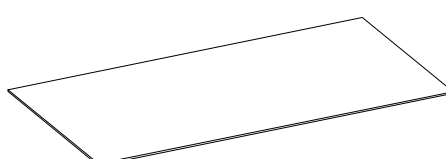
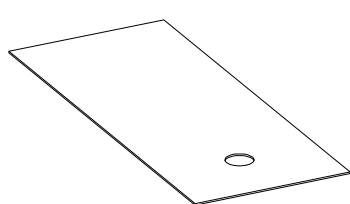
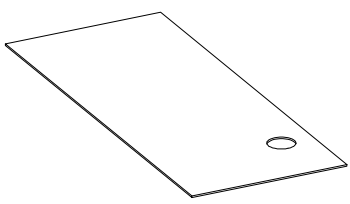
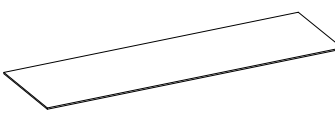
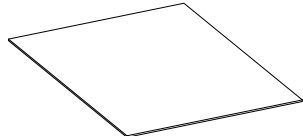
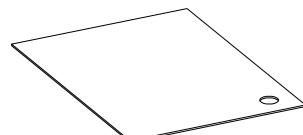
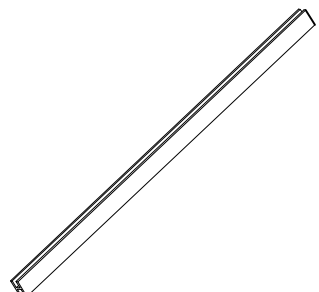


720*40*15mm 2PCS

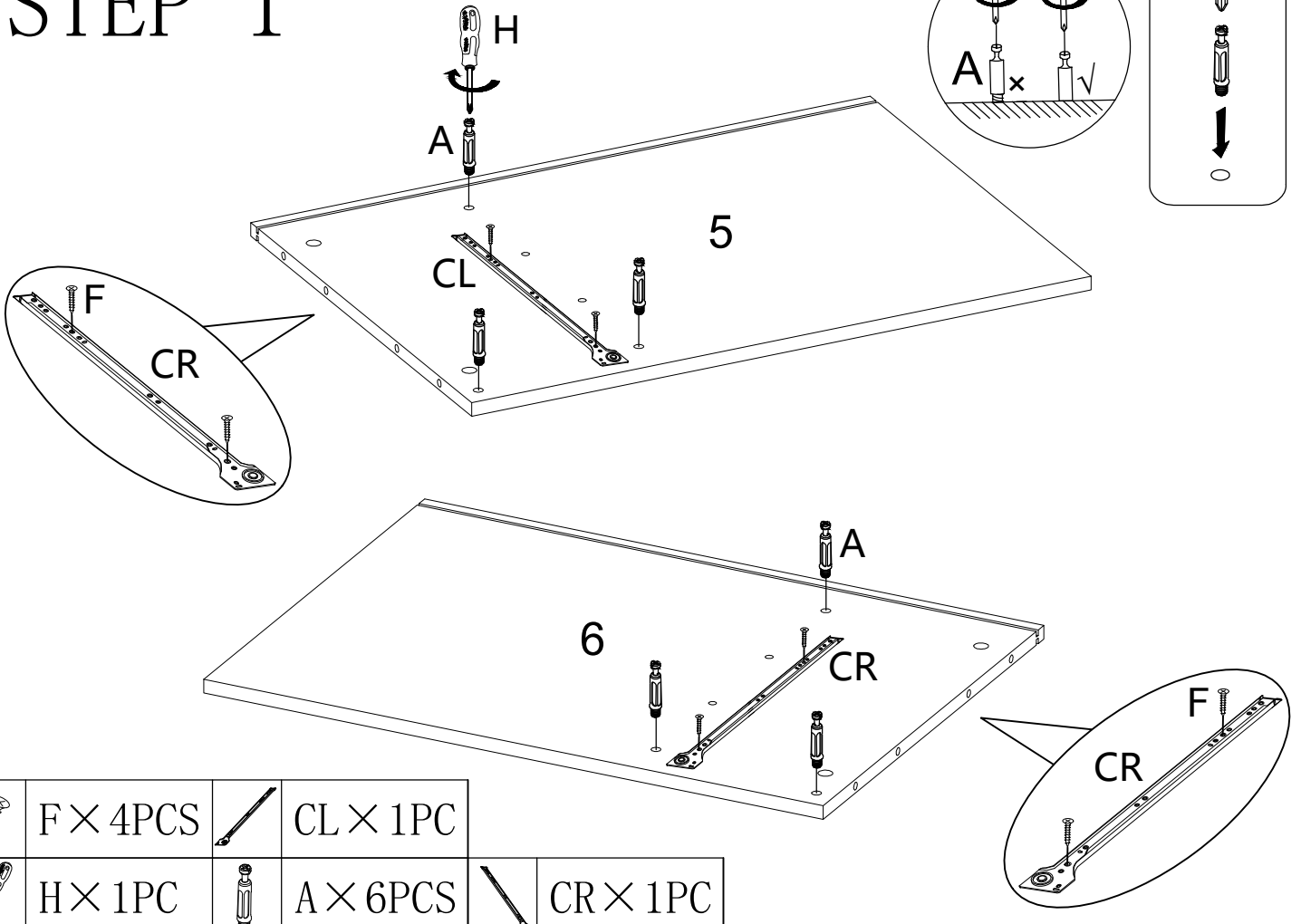
12



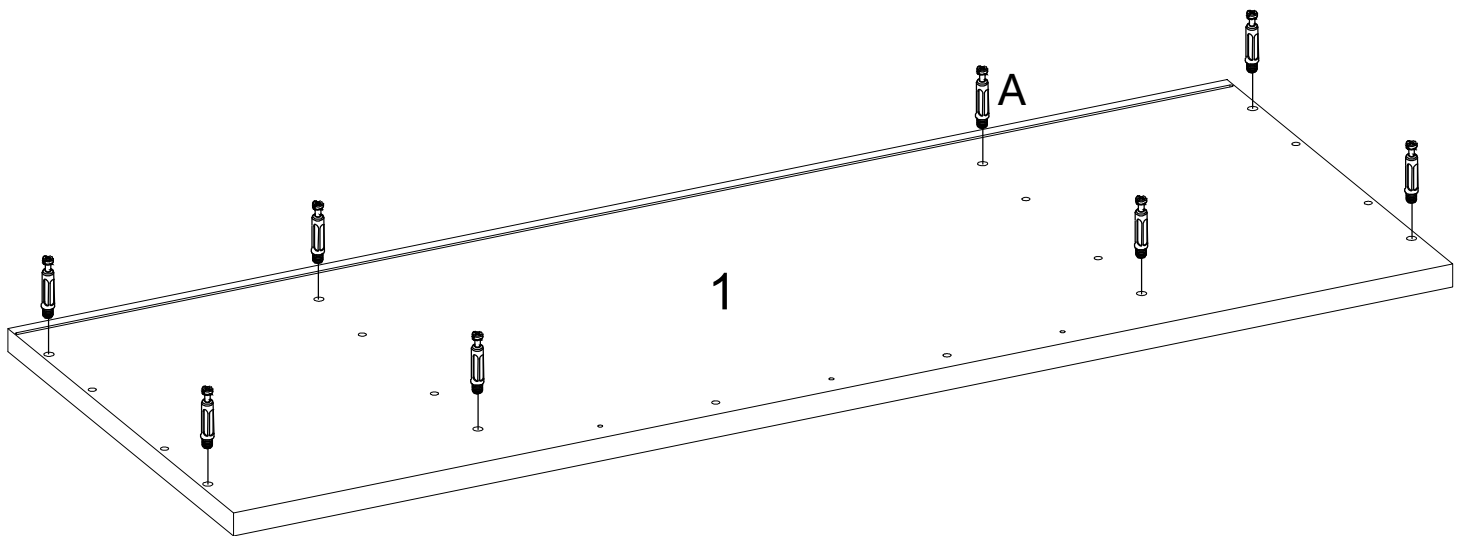
350*129*15mm 1PC

<p>13</p>  <p>350*129*15mm 1PC</p>	<p>14</p>  <p>665*129*15mm 1PC</p>	<p>15</p>  <p>335*50*15mm 1PC</p>	
<p>16</p>  <p>714*199.5*15mm 1PC</p>	<p>17</p>  <p>693*296*15mm 1PC</p>	<p>18</p>  <p>693*296*15mm 1PC</p>	
<p>19</p>  <p>675*345*3mm 1PC</p>	<p>20</p>  <p>293*710*3mm 1PC</p>	<p>21</p>  <p>293*710*3mm 1PC</p>	
<p>22</p>  <p>728*215*3mm 1PC</p>	<p>23</p>  <p>488*363*3mm 1PC</p>	<p>24</p>  <p>488*363*3mm 1PC</p>	<p>25</p>  <p>L=477mm 1PC</p>

STEP 1

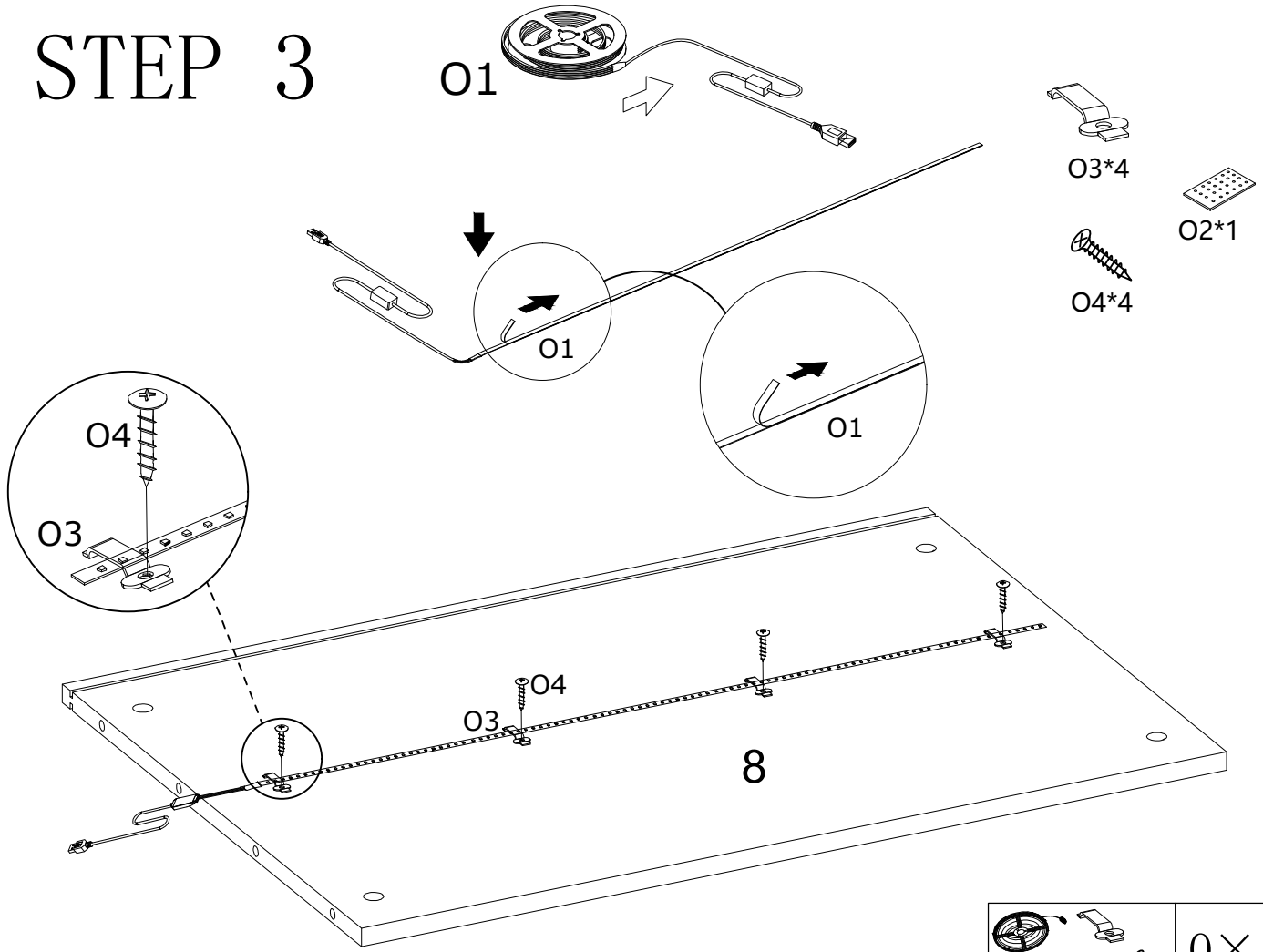


STEP 2



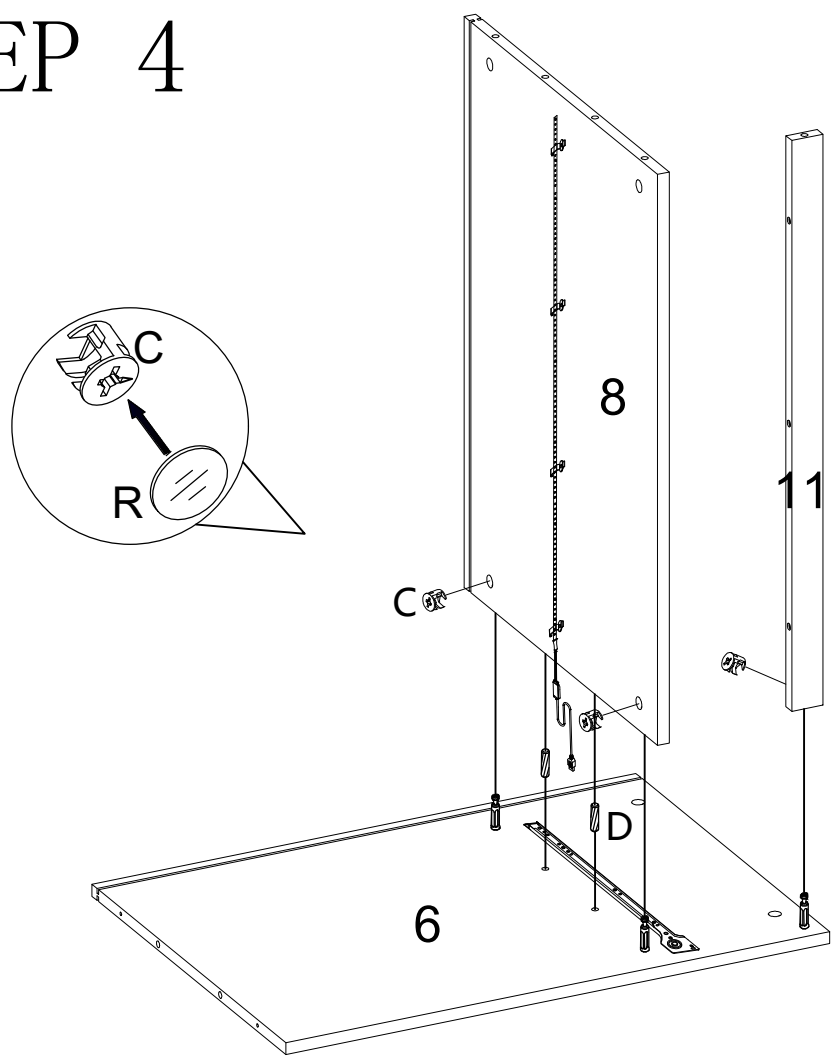
 A × 8PCS

STEP 3



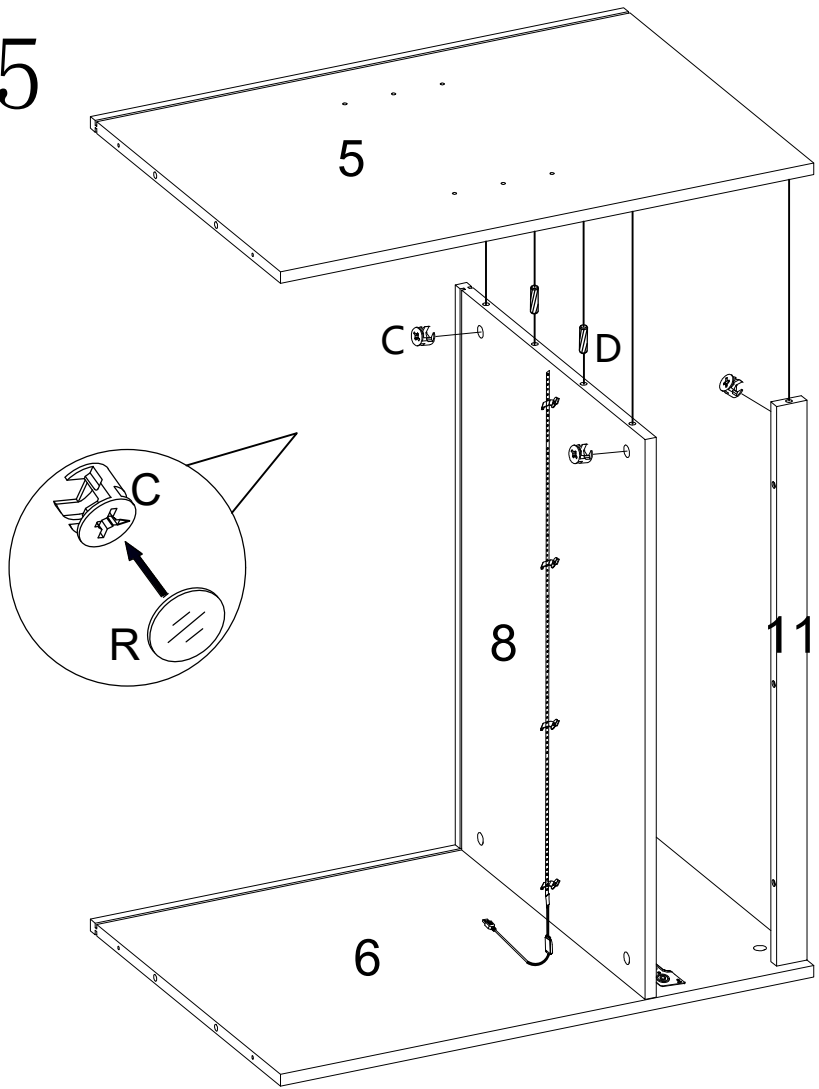
			0 × 1PC
O1*1	O3*4 	O4*4	




STEP 4



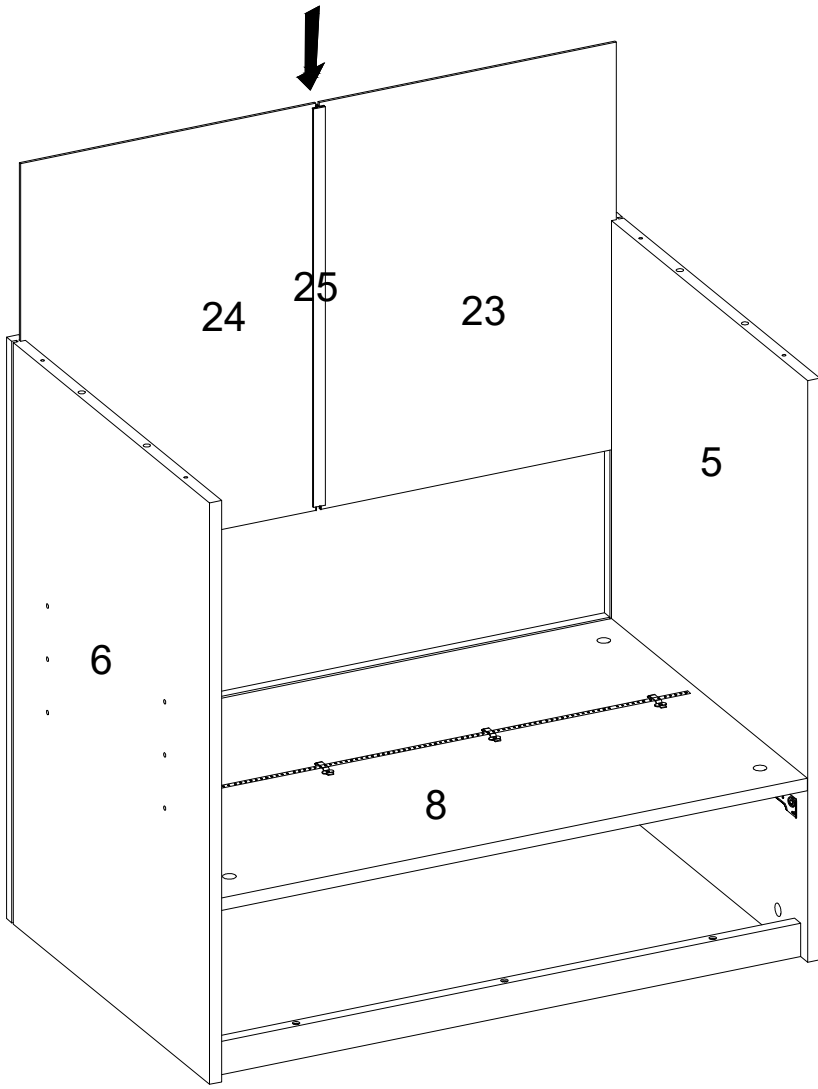
	C × 3PCS
	D × 2PCS
	R × 3PCS

STEP 5

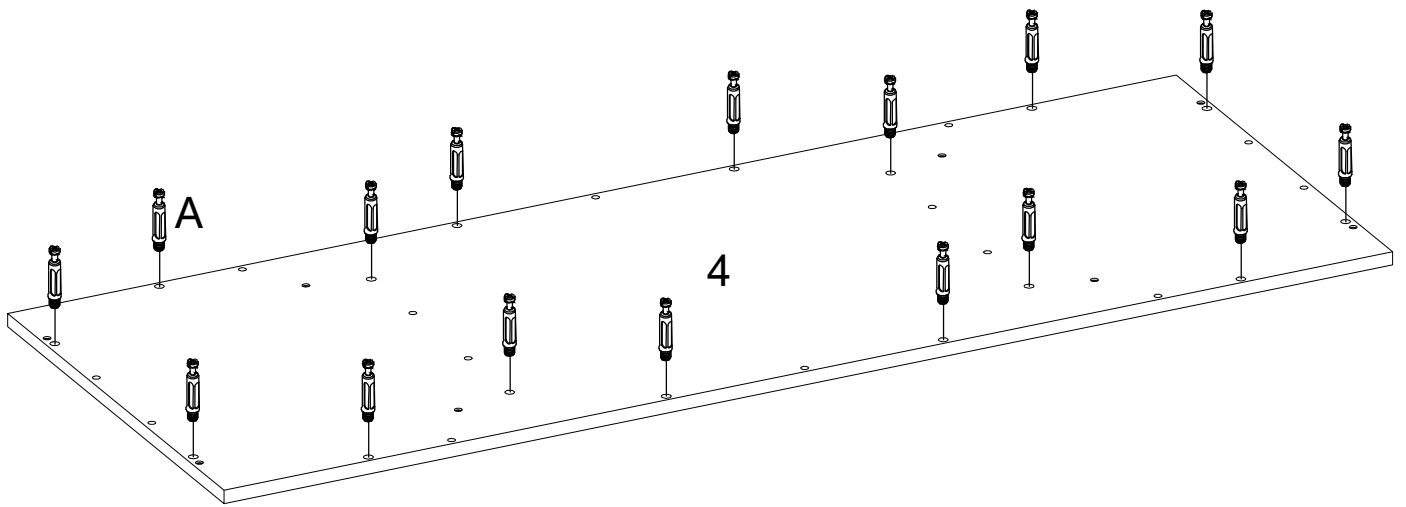



	C × 3PCS
	D × 2PCS
	R × 3PCS

STEP 6

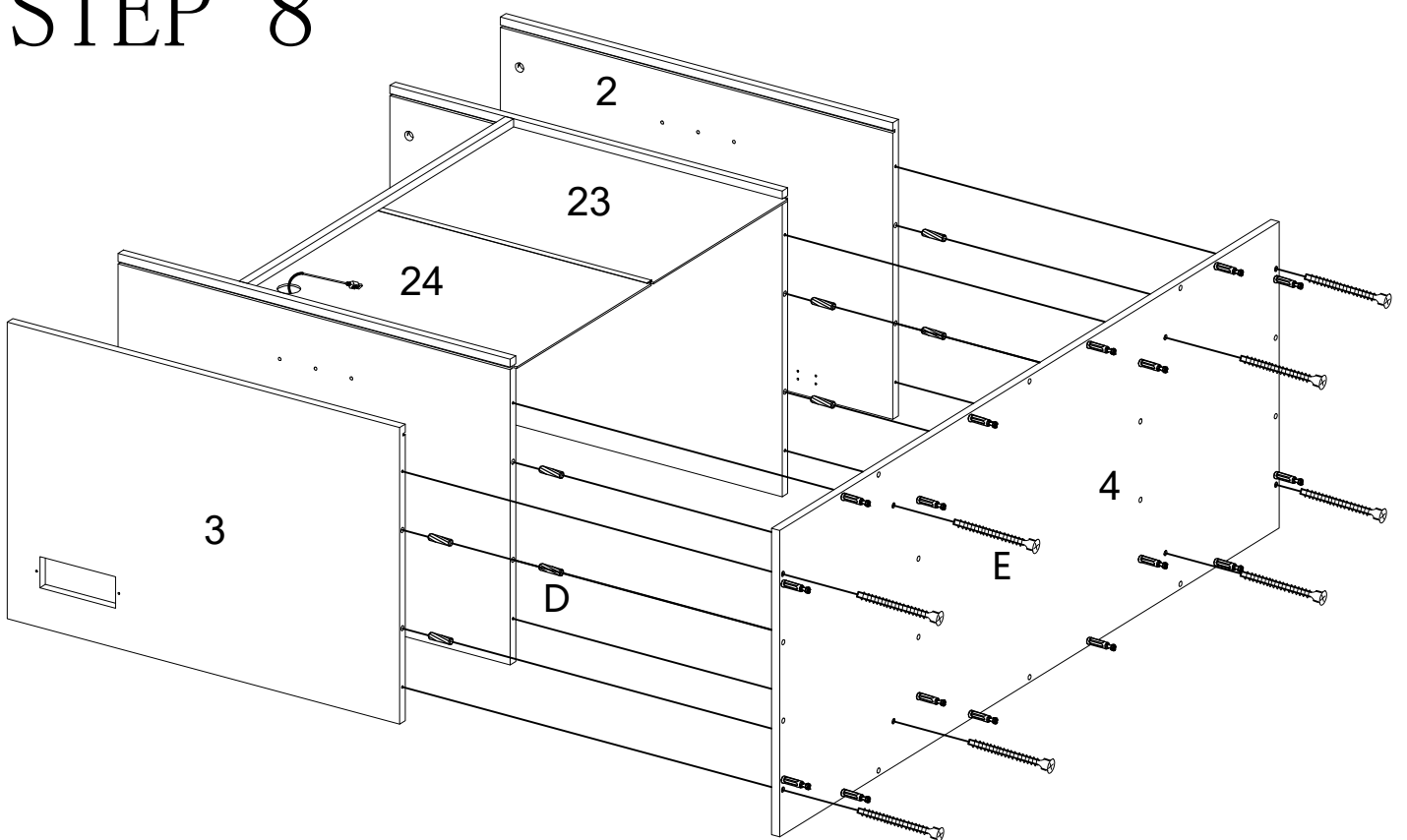


STEP 7



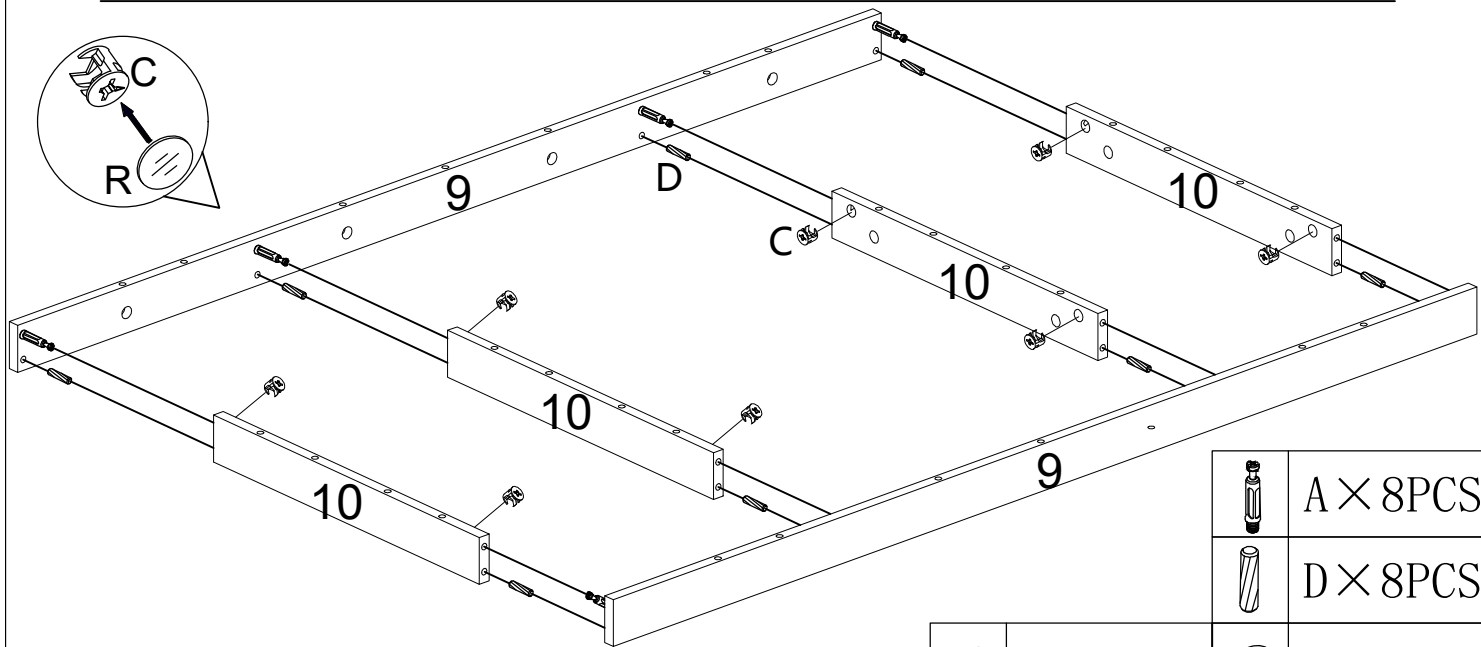
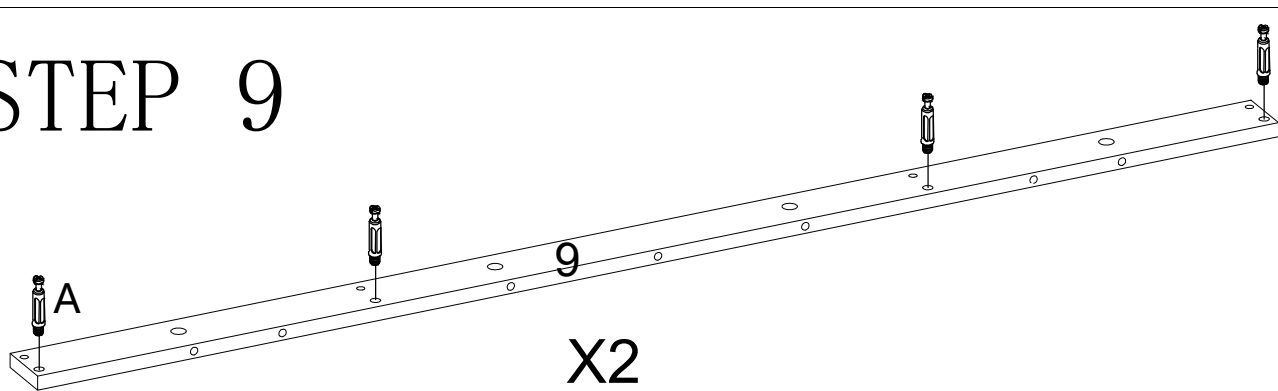
	A × 16PCS
---	-----------





STEP 8



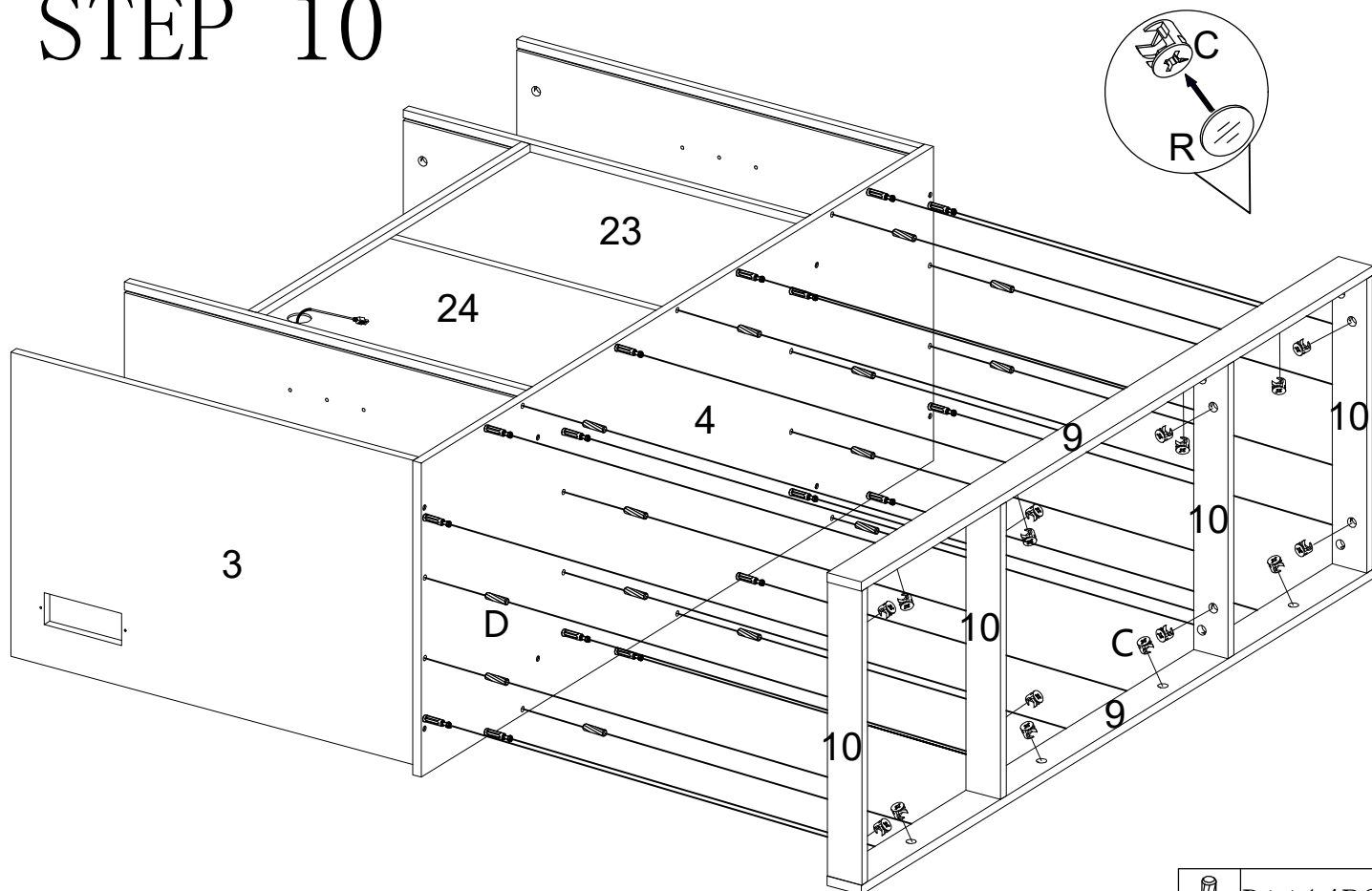
	E × 8PCS		D × 8PCS
--	----------	---	----------




STEP 9



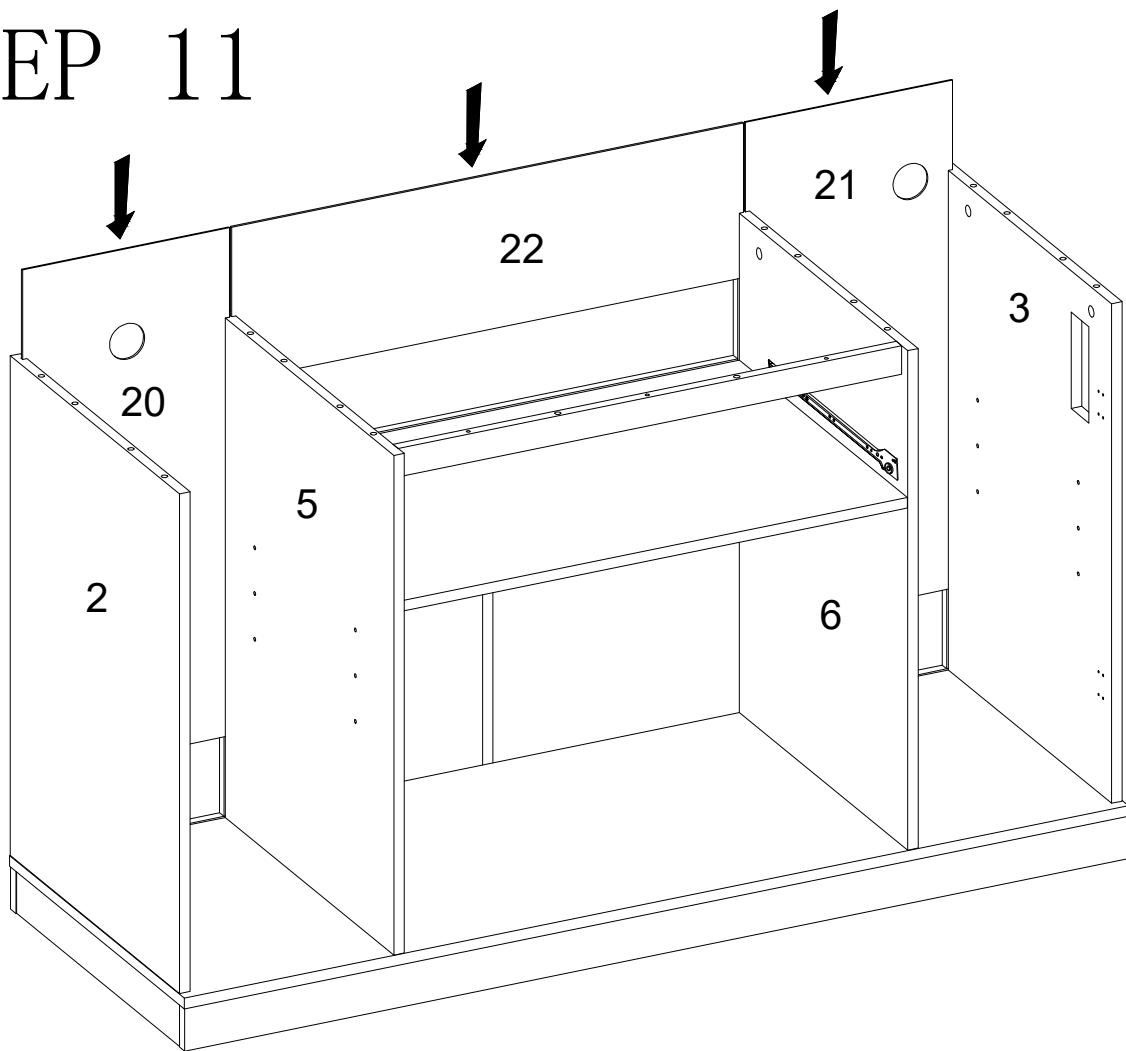
	A × 8PCS
	D × 8PCS
	C × 8PCS
	R × 8PCS

STEP 10

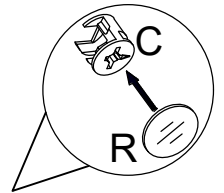
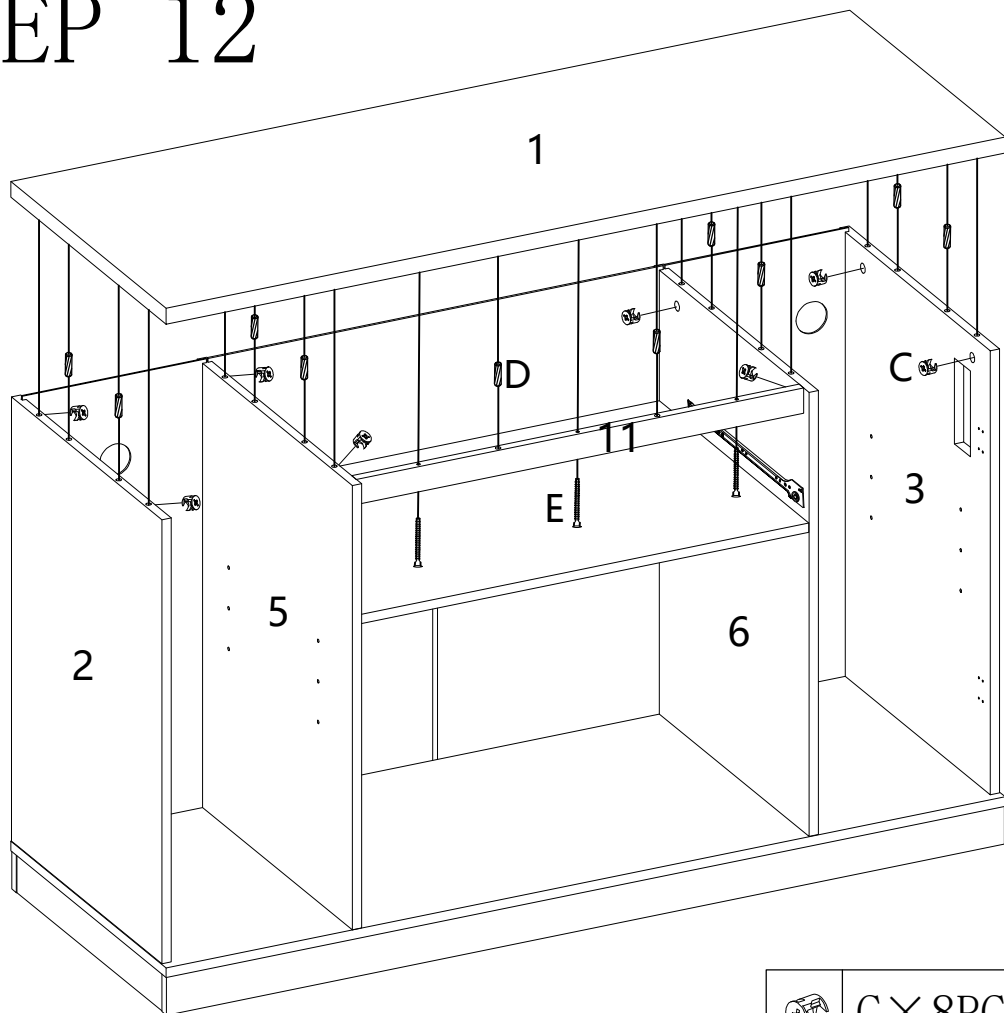


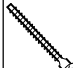
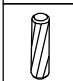


	D × 14PCS
	C × 16PCS
	R × 16PCS

STEP 11

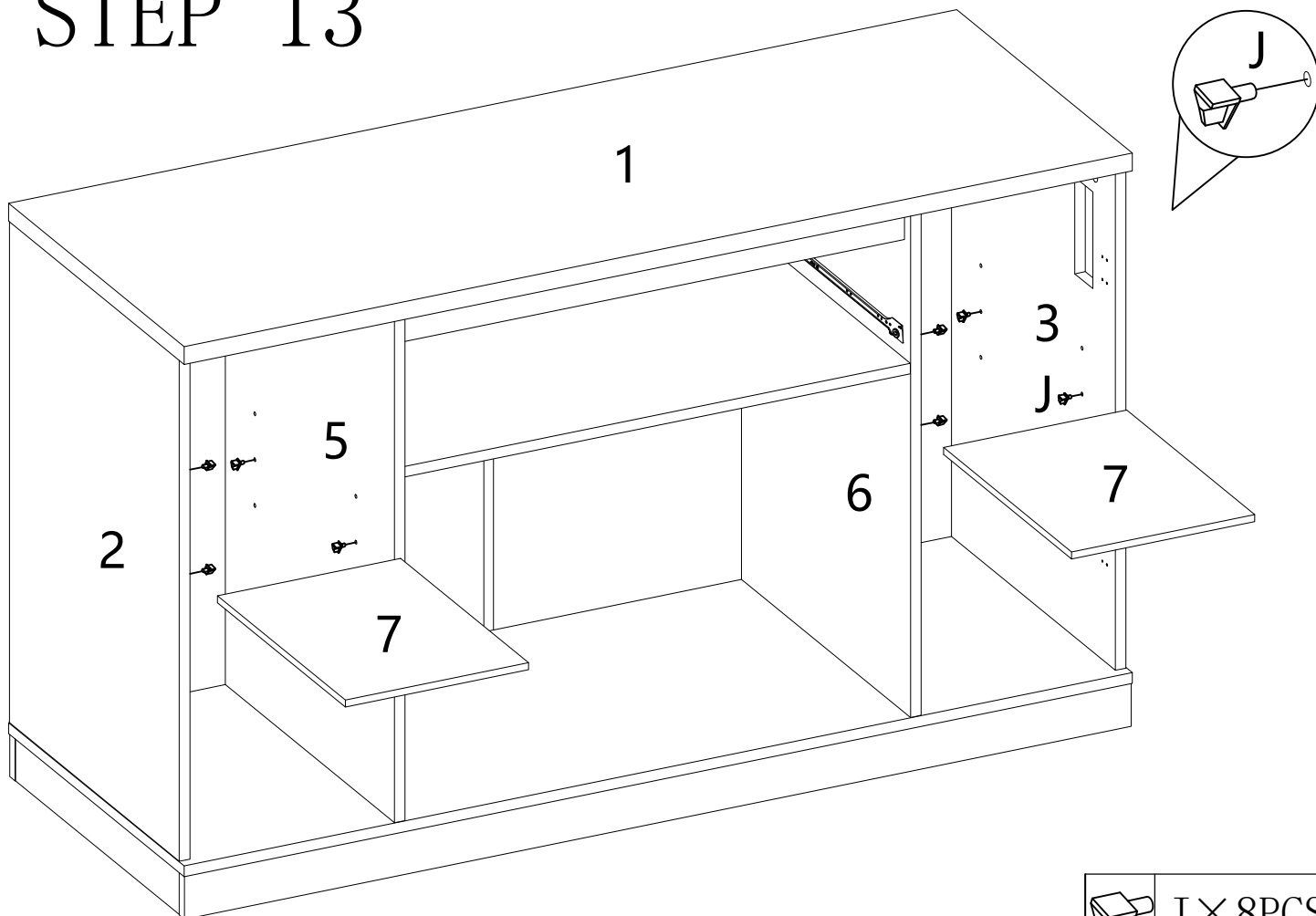


STEP 12

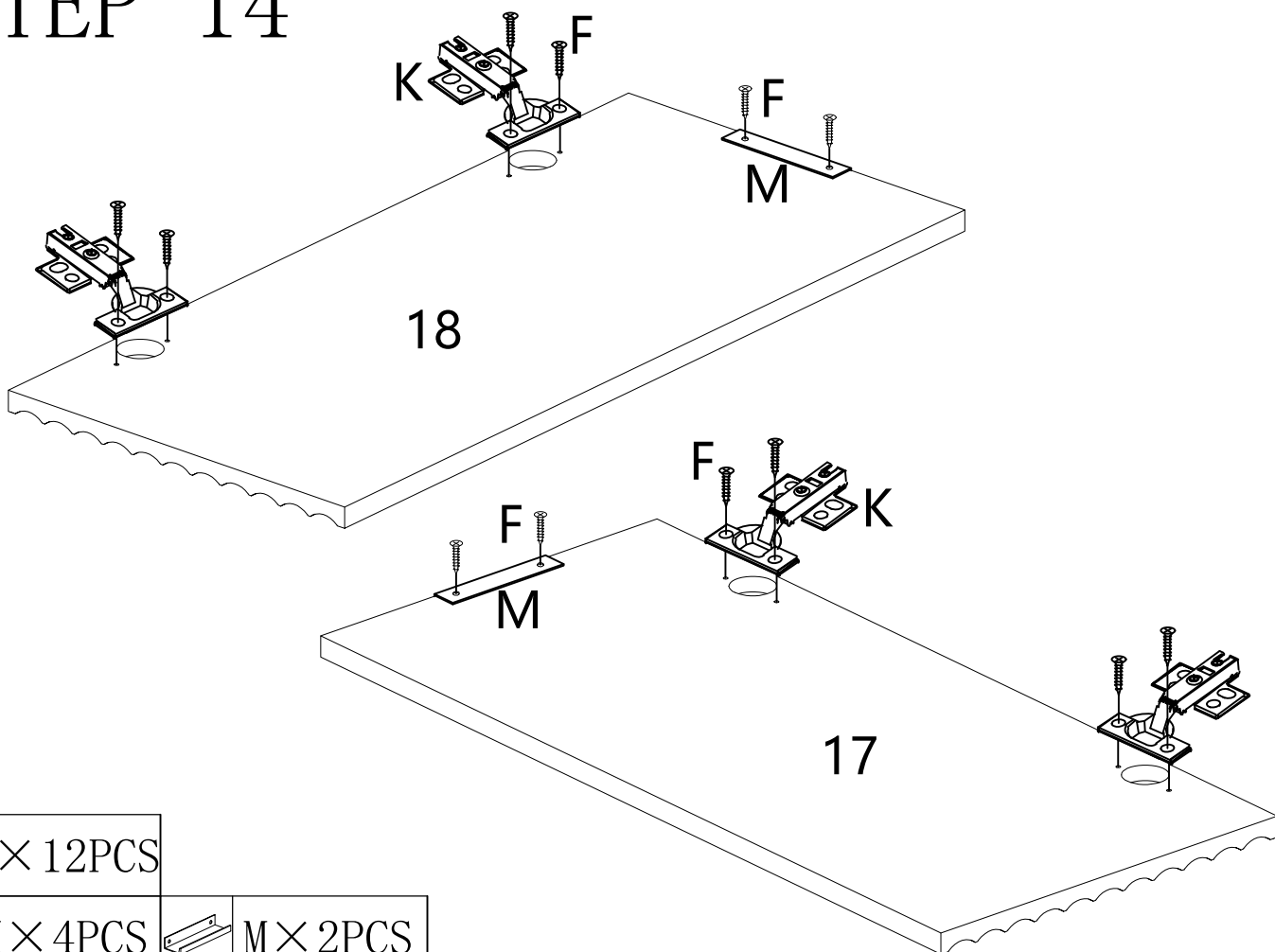


	E × 3PCS
	D × 10PCS
	C × 8PCS
	R × 8PCS

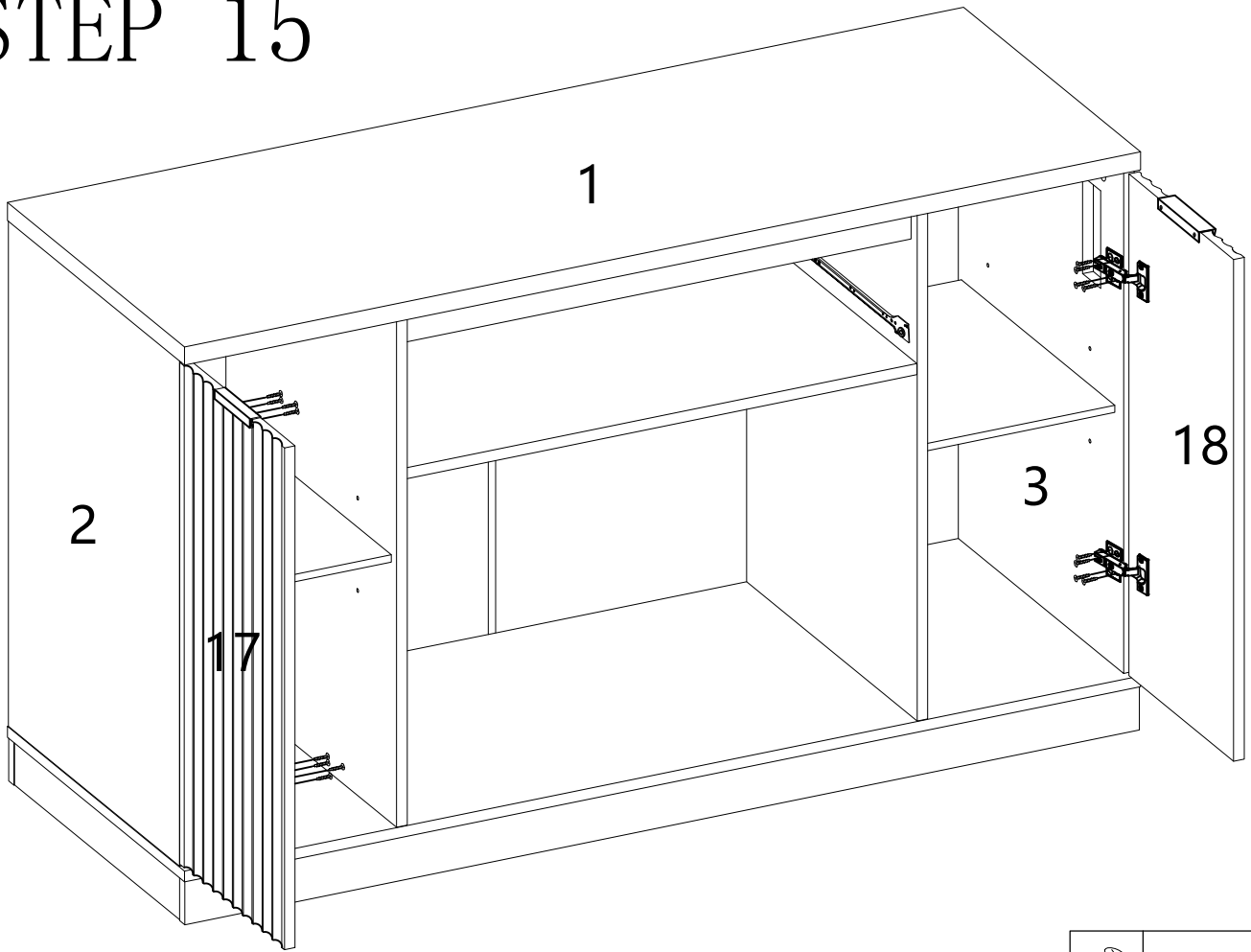
STEP 13




STEP 14

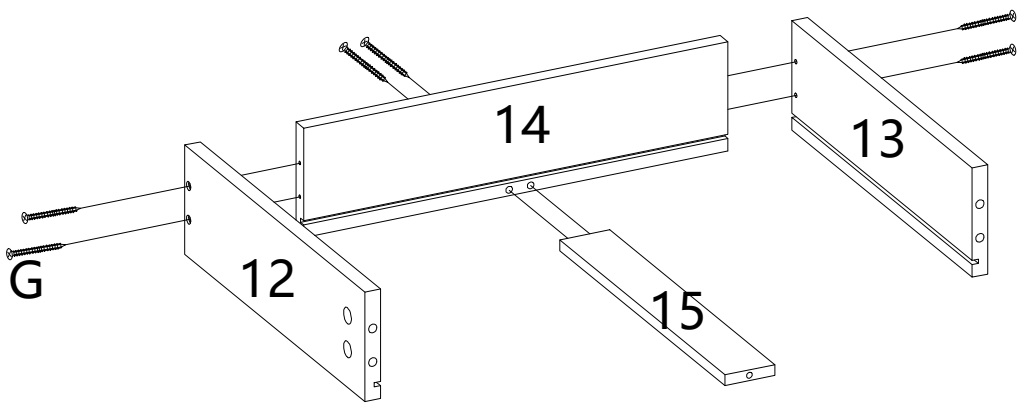
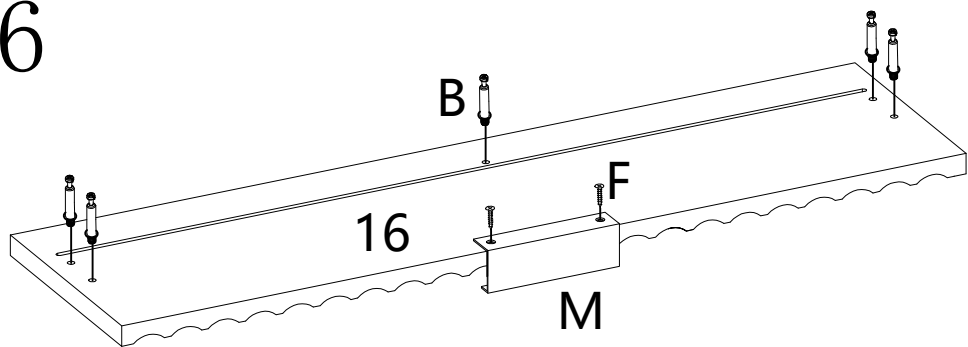





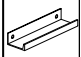
STEP 15



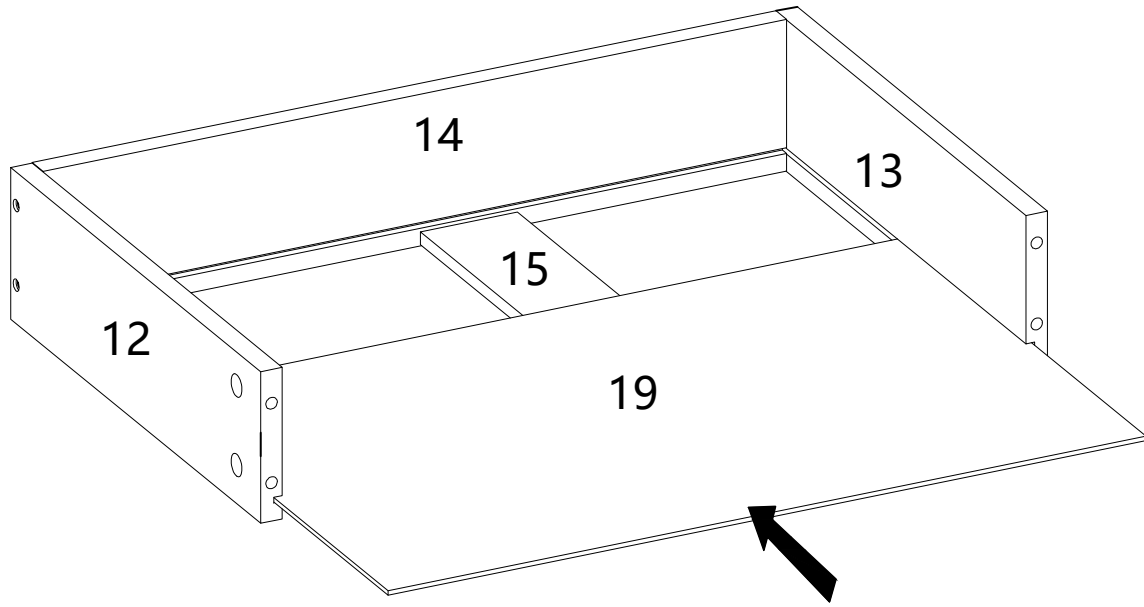
	F × 16PCS
---	-----------

STEP 16

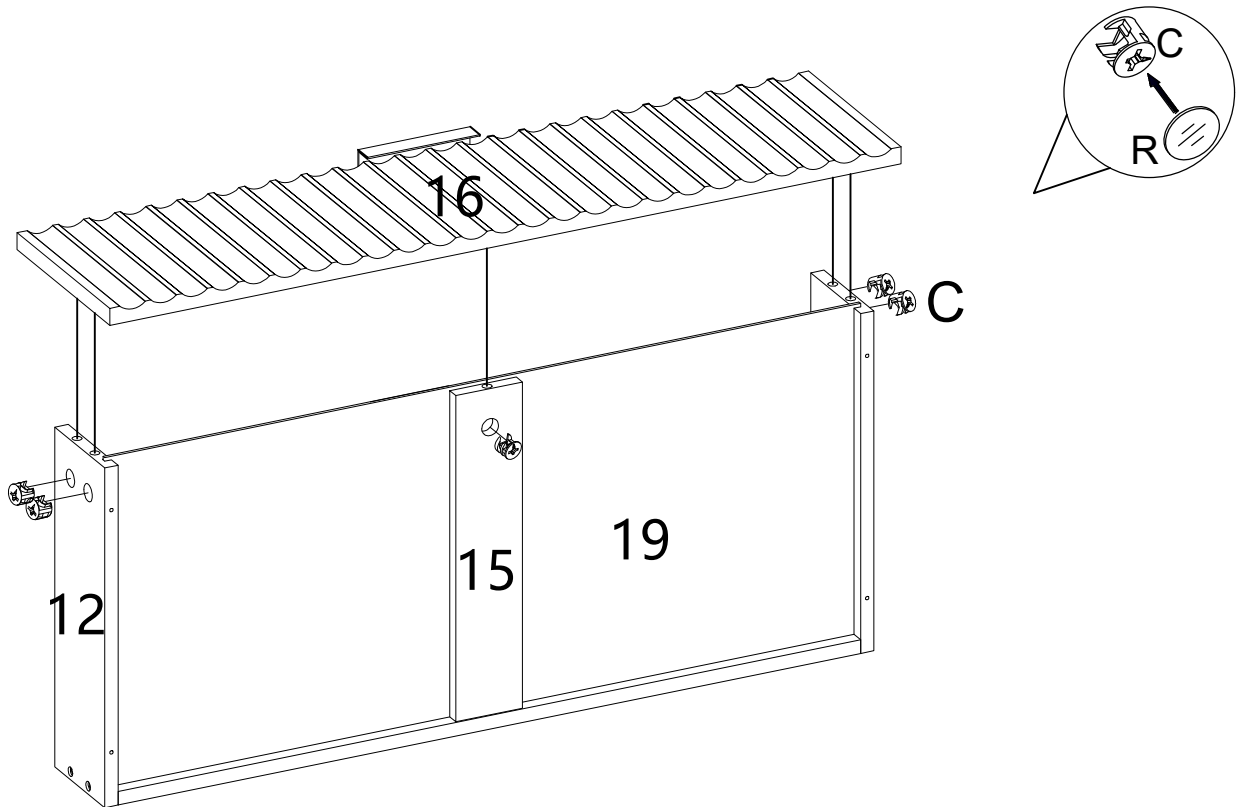


	G × 6PCS		F × 2PCS
	B × 5PCS		M × 1PC

STEP 17



STEP 18

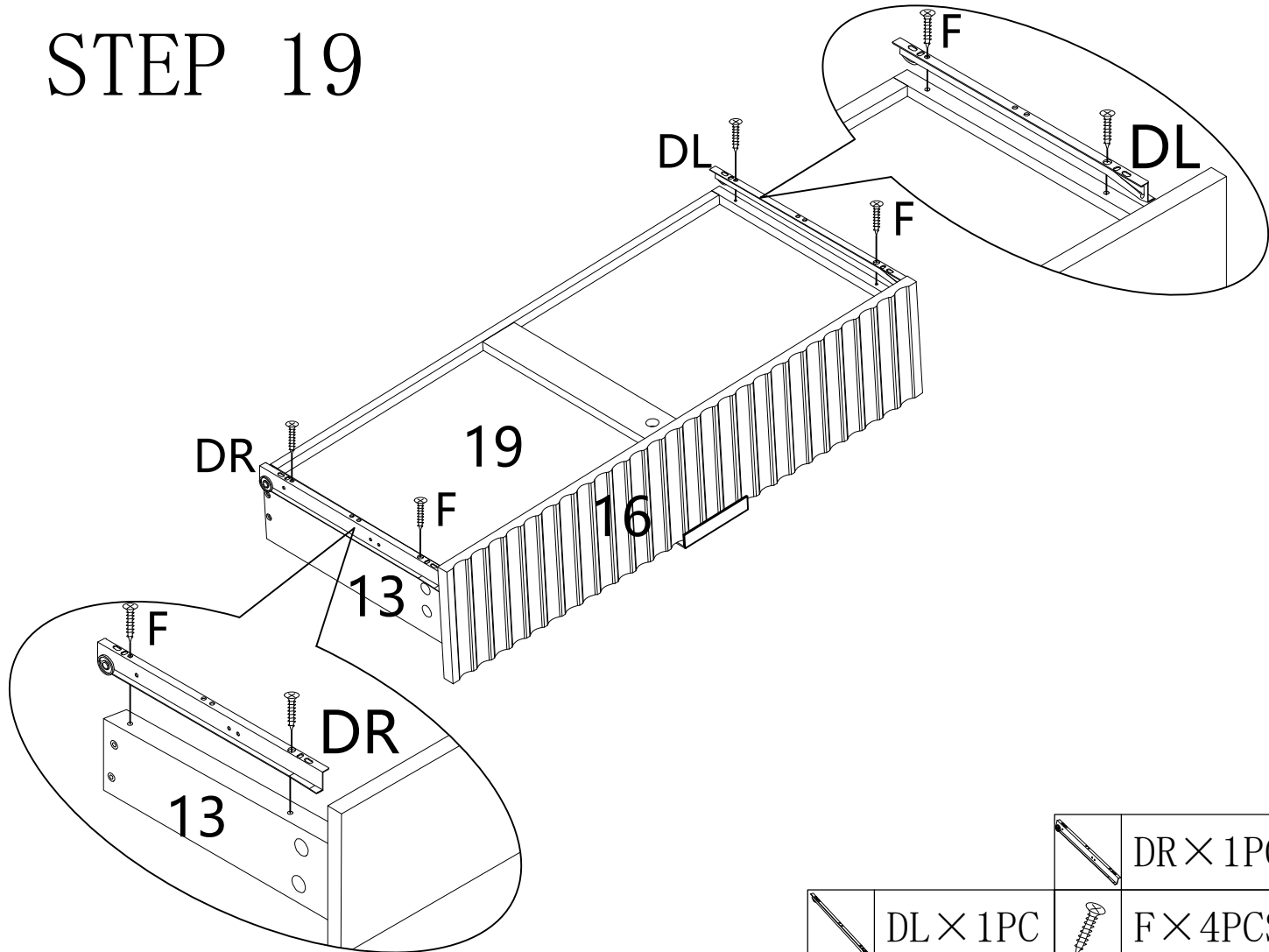



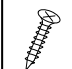

C × 5PCS



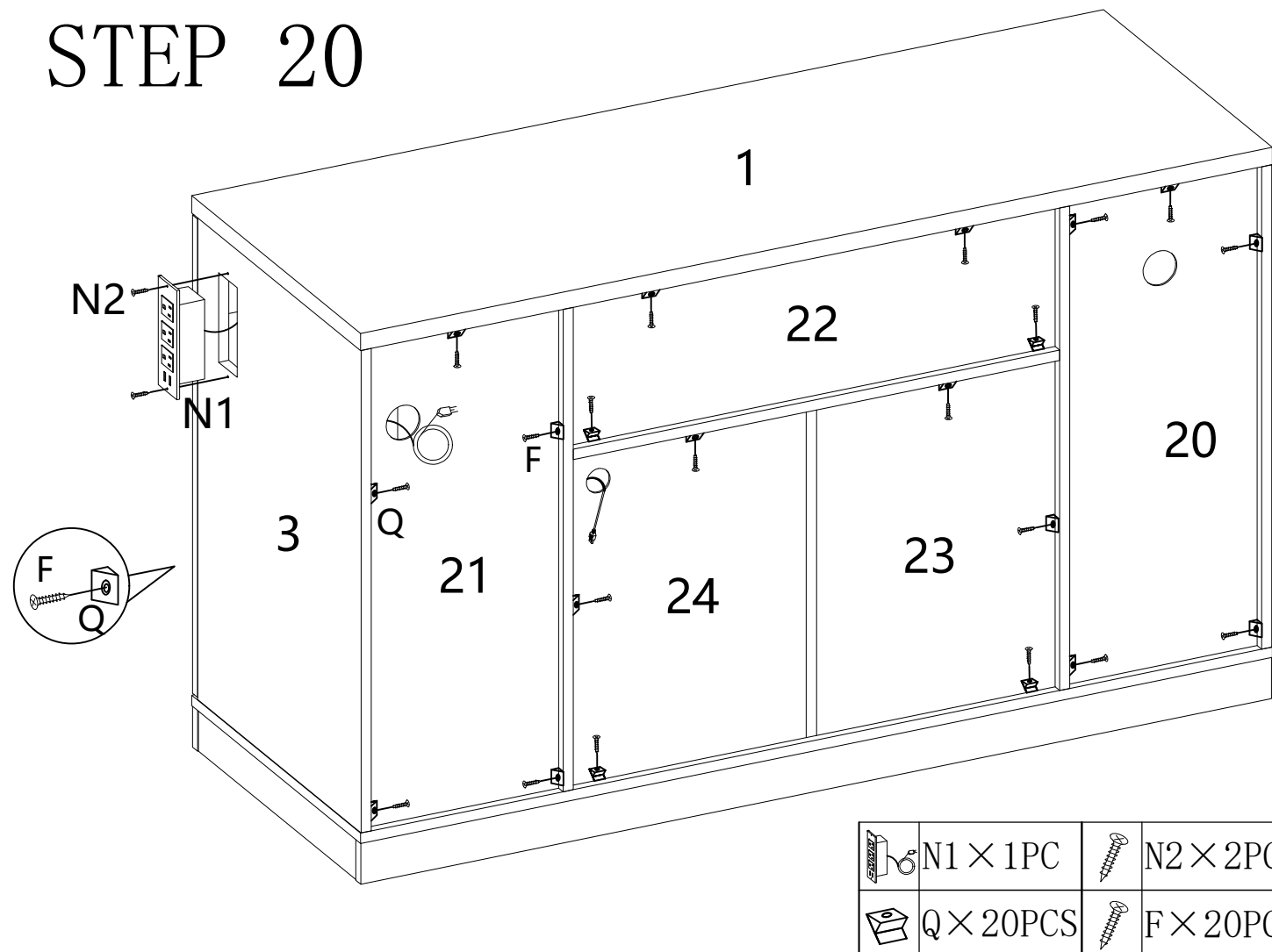
R × 5PCS





STEP 19



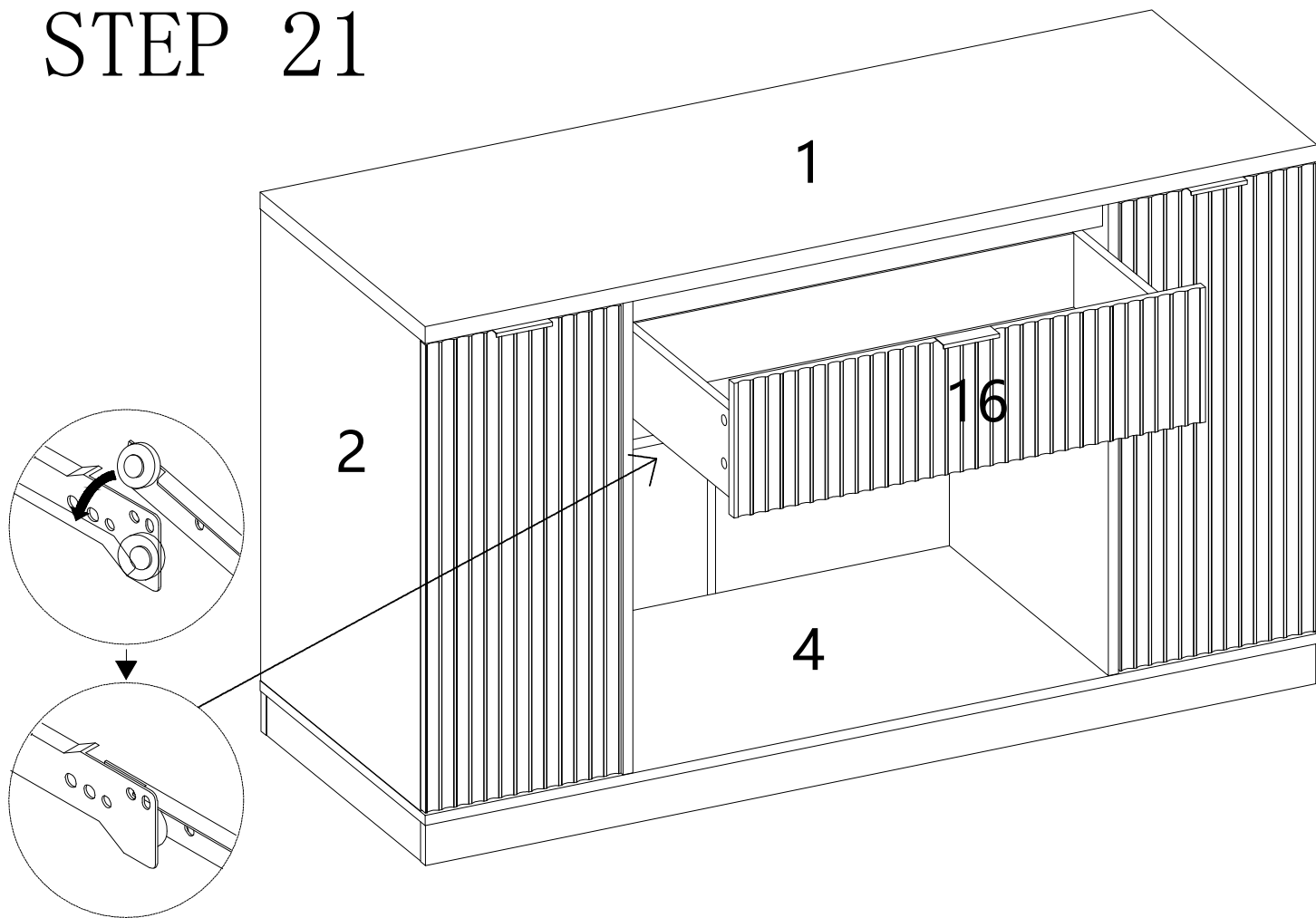
	F × 4PCS
	DR × 1PC
	DL × 1PC

STEP 20

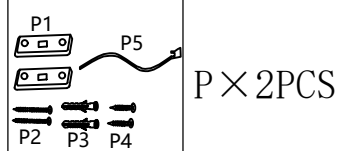
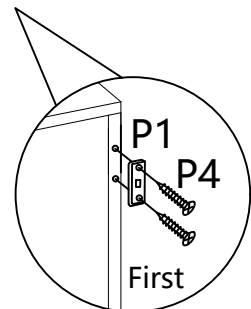
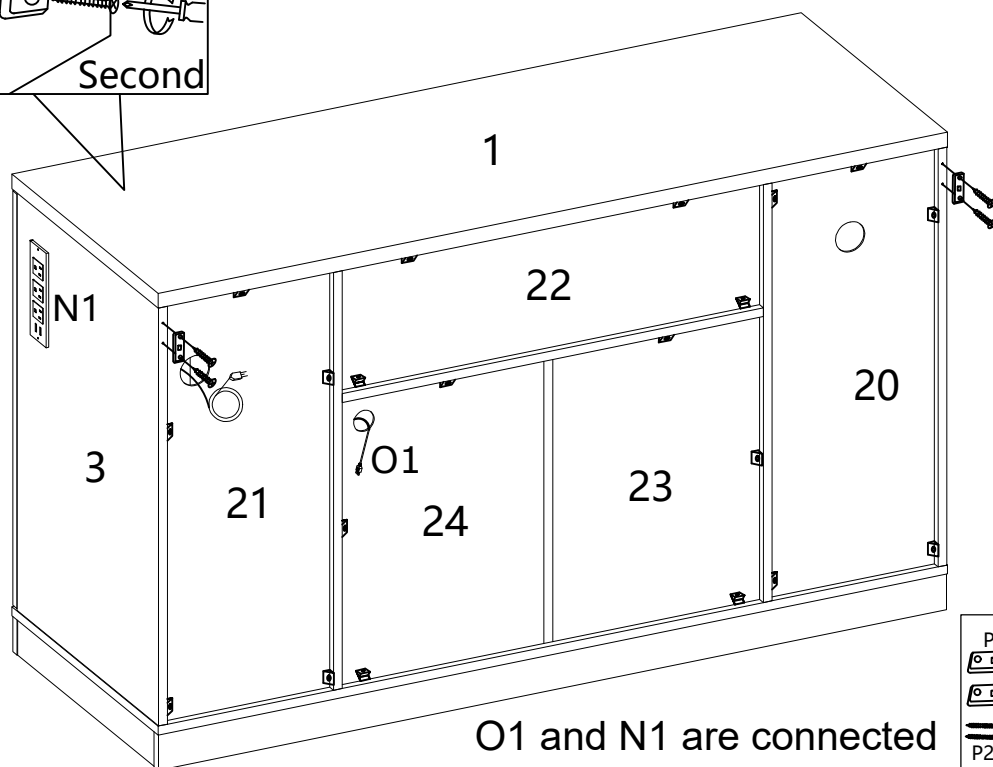
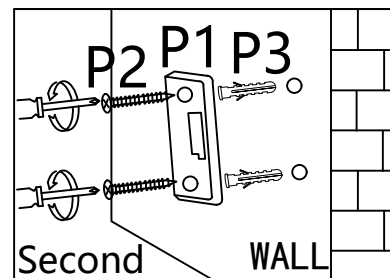
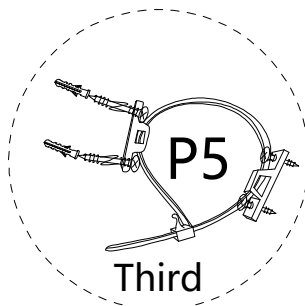
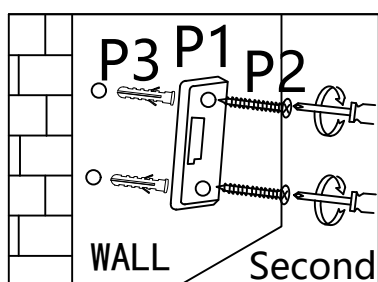


	N1 × 1PC		N2 × 2PCS
	Q × 20PCS		F × 20PCS

STEP 21



STEP 22



O1 and N1 are connected