

**Central Brass Company, Inc.**  
3325 S. Garfield Ave.  
Commerce, CA 90040  
(800) 321-8630  
www.centralbrass.com

**Tools:**



Adjustable Wrench



Plumbers Putty



Teflon Tape



Rags

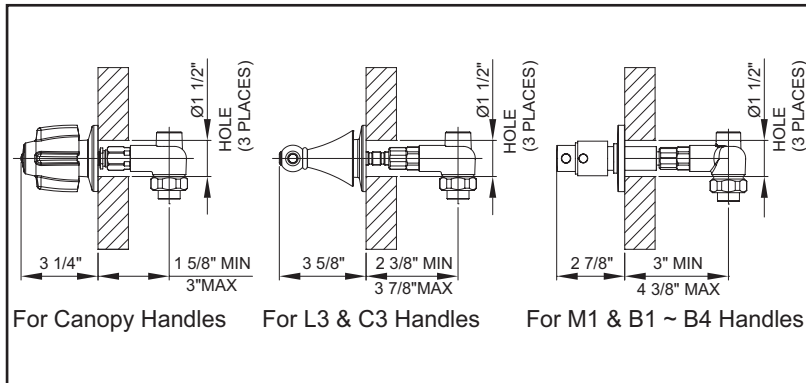
**Model Number: 8968-XX, TC-3-XX**

**Warnings and Notes:**

Check with local plumbing code requirements before installation.  
This product should be installed by a local listed plumber.  
**Do not use plumbers putty on threads.**

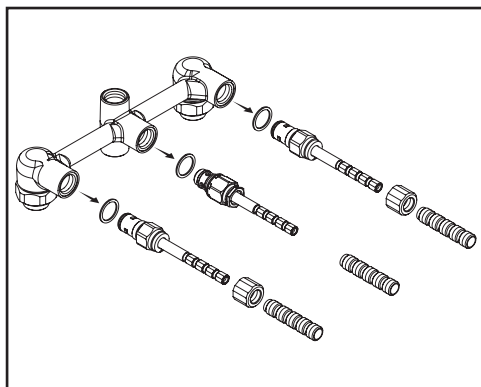
**Installation Steps:**

Three Handle Tub & Shower Set

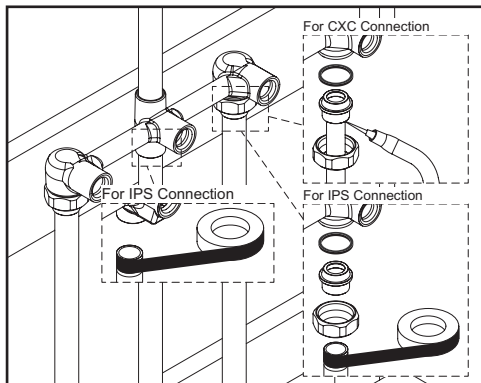


**Step 1: Determine the Valve Location**  
New Installation: Identify the location where the valve will be installed. Existing Installation: Refer to the installation drawing to ensure there is enough room for the valve.

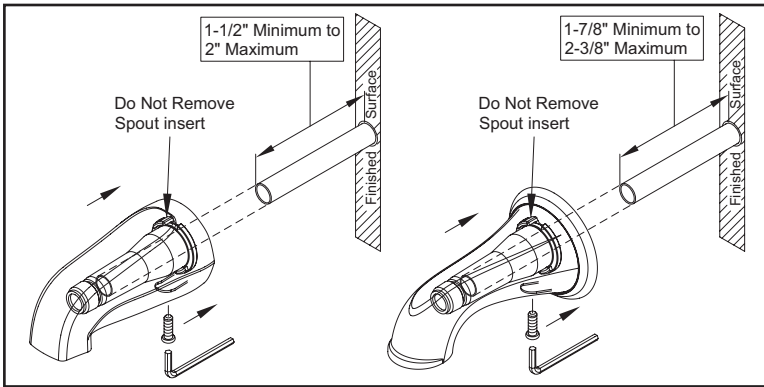
**NOTE: CENTRAL BRASS TWO/THREE HANDLE TUB/SHOWER VALVES ARE NOT INCLUDED FOR TC-X-XX MODELS.**



**Step 2: Prepare the Valve Body (Direct Sweat Valve)** Remove both stems and transfer valve from the valve body before soldering to prevent damage. Solder the inlet connections to the valve body. Reinstall both stems and transfer valve after the valve body has cooled down. **Warning:** Always fully open (turn counterclockwise to the end) the stem before removing or installing the stem.



**Step 3: Prepare the Valve Body (Non-Direct Sweat Valve)** Slide the coupling nut onto the inlet pipe. If the connection is threaded, apply Teflon tape to the threaded end. Connect the union to the inlet pipe. Place a rubber gasket between the bottom of the union and the valve inlet hole. Tighten the coupling nut to the valve body using a pipe wrench to form a watertight seal. Apply Teflon tape to the threaded end and install the outlet connections.



(4a) -Consult Distance Charts: Refer to the distance charts on the provided drawing to ensure accurate installation of standard and extended spouts.

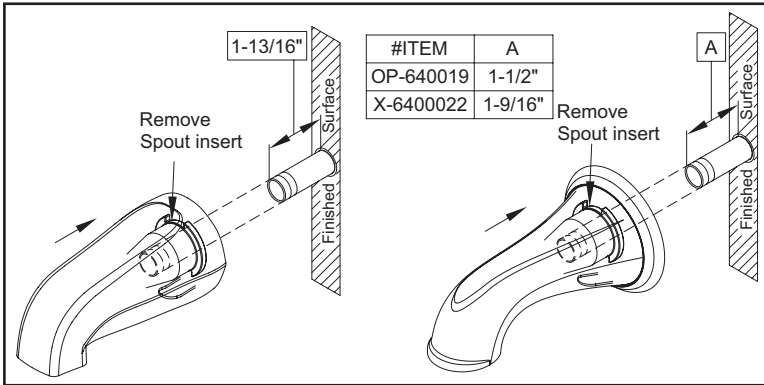
**-Pipe Preparation:** -Chamfer the copper pipe's end to remove burrs and prevent damage to the O-ring and cone-shaped gasket inside the tub spout.

-Sand the outside surface of the copper pipe to eliminate any nicks or scratches.

-Escutcheon Installation (If Included): If the spout escutcheon is part of the series, slide it over the copper pipe.

**-Spout Attachment:** -Press and twist the tub spout until it sits flush against the finished wall.

-Secure the spout by tightening the set screw.



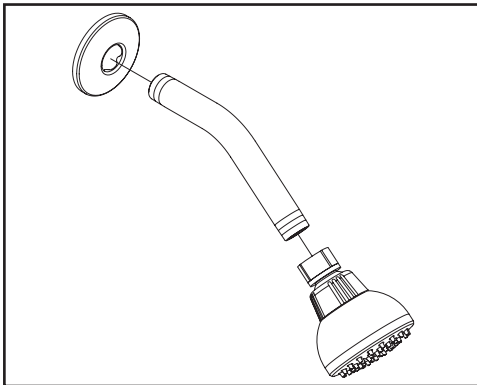
(4b) -Preparation:

-Remove the spout insert.

-Apply Teflon tape to the nipple threads.

-Distance Chart Reference: Use the installation distance charts to ensure proper alignment.

Ensure all connections are tight and free of leaks before usage.



#### Step 5: Shower Arm Installation

Caution: Only use Teflon tape on the thread ends of the shower arm to avoid plugging the showerhead spray outlet. Use silicone to caulk the back of the shower arm flange.

Slide the shower arm flange over the shower arm.

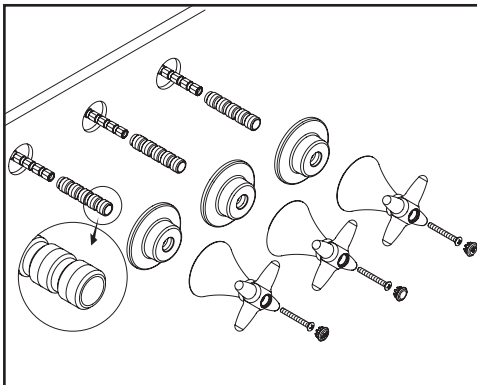
Apply Teflon tape to both thread ends of the shower arm.

Install the shower arm and carefully tighten it using a strap wrench.

Press the shower arm flange against the finished wall.

Turn on the water to flush the system.

Turn off the water and attach the showerhead to the shower arm.



#### Step 6: Handle Installation (M1 and B3 Handles)

Ensure the distance between the center of the valve inlets and the wall is 2-1/2" Min. to 3-7/8" Max.

If needed, mark the distance from the end of the replacement brass nipple.

Carefully cut the nipple at the outer edge of the step closest to the mark.

Carefully cut the stem post at the inner edge of the step, avoiding the spline and threaded area. Ensure the cut is straight and remove all burrs.

For all installations, thread the escutcheon to the valve.

Use silicone to caulk the back of the escutcheon.

Install the cold, hot, and diverter handles.

Install the screws.

For B1, B2 and B3 handles: place the caps.

# Central Brass

COMPANY, Inc.

For more care information or trouble shooting inquiries about your Central Brass product, please call:

**Central Brass Company, Inc.** (800) 321-8630

Monday-Friday 8 AM to 8 PM EST (5 AM to 5 PM PST)

[www.centralbrass.com](http://www.centralbrass.com)

Jun. 11. 24