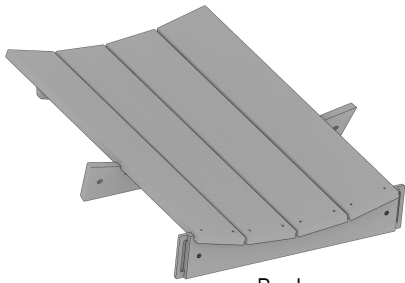
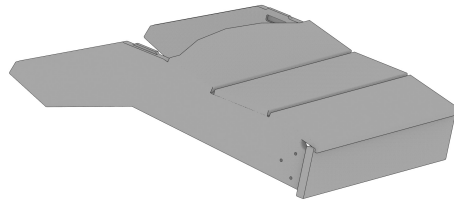


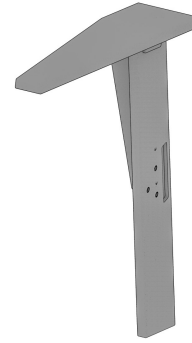
Included Parts



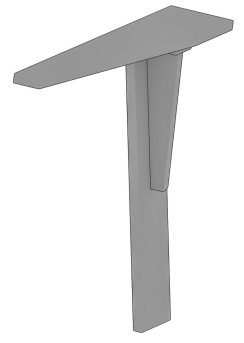
Back
X 1



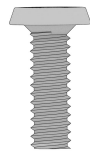
Seat
X 1



Left Arm / Leg
X 1



Right Arm / Leg
X 1



1/4" X 3/4" Allenhead Bolt
X 10



Assembly Block
X 2



Allen Wrench

Assembly Tips

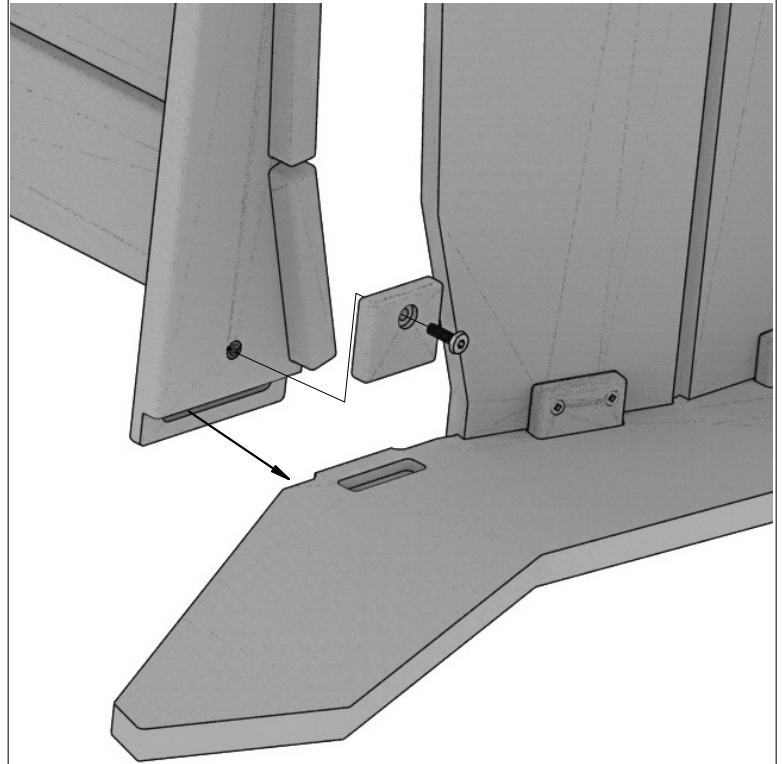
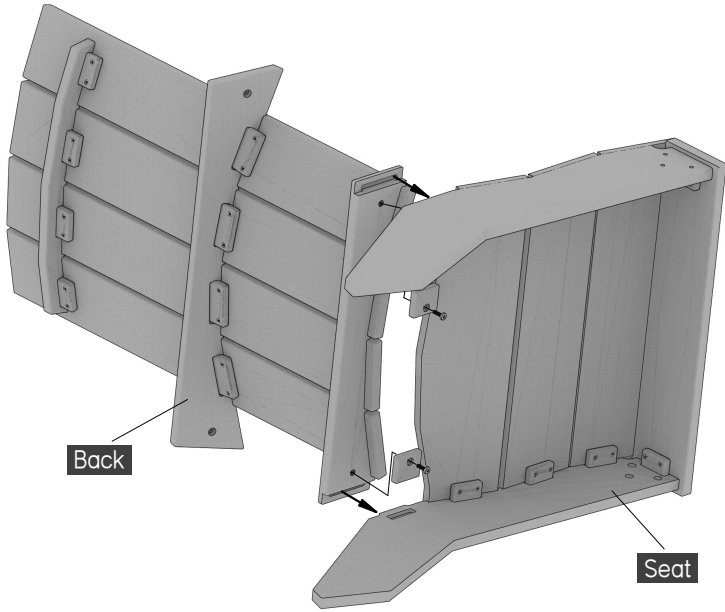
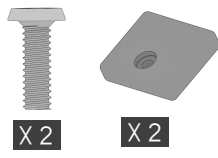
***Please read before beginning assembly!

To avoid damaging furniture, perform the assembly on a clean, soft surface like a carpet, blanket, or the flattened cardboard box with all the staples removed. Start the bolts by hand until all bolts for that assembly step are well started, then fully install them with the included Allen Wrench. Be sure to tighten them very firmly. If it seems parts are not fitting properly, reread the instructions to ensure you have the correct components and are fitting them together correctly. If you need additional assistance or have questions, feel free to contact Berlin Gardens Customer Service for support at 800-593-3411. We will be happy to assist you!

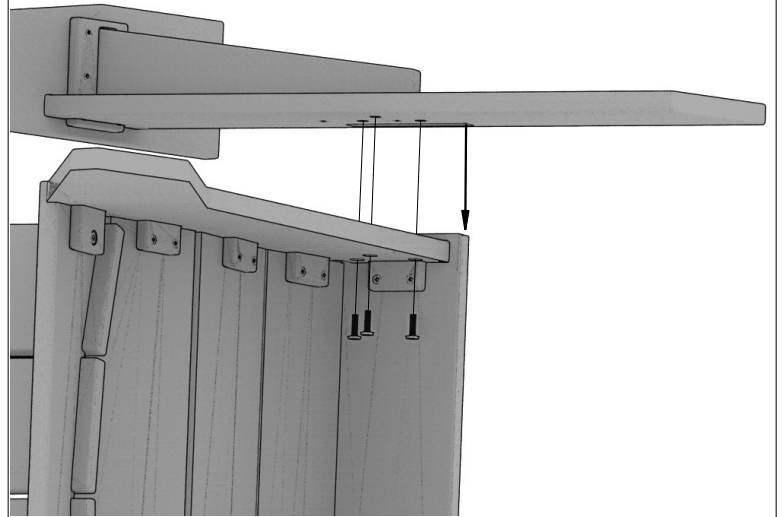
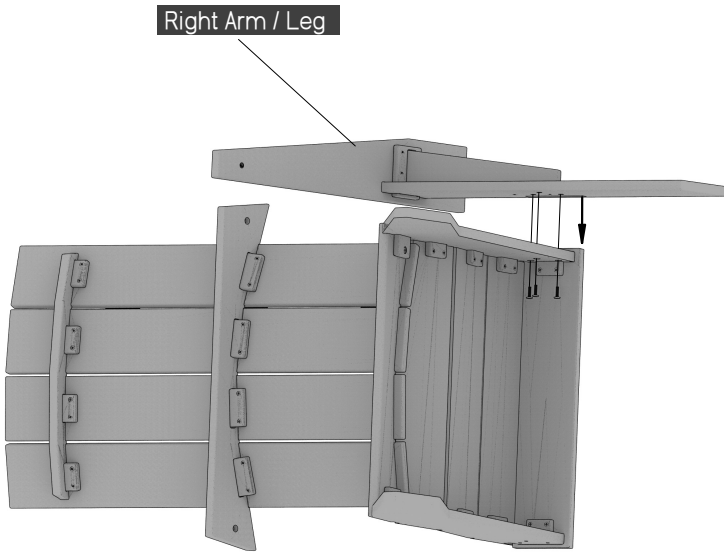
***Please Recycle the Box!



Step 1 Attach Back To Seat

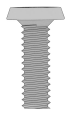


Step 2 Attach Arms / Legs

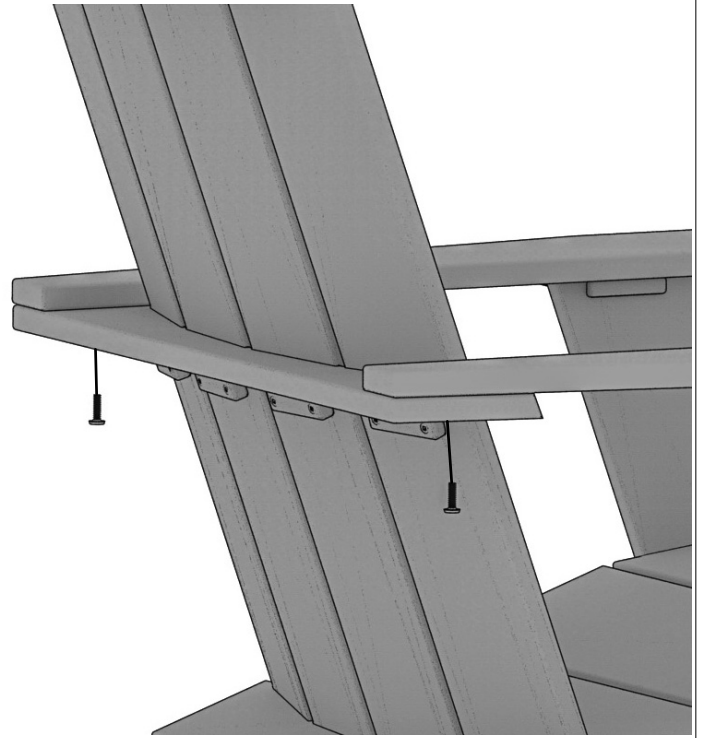


Repeat To Attach Left Arm / Leg

Step 3 Attach Back To Arms



X 2



Recommended Accessories To Enjoy With Your Nordic Adirondack Chair.



Nordic Round End Table

Nordic Adirondack Footstool