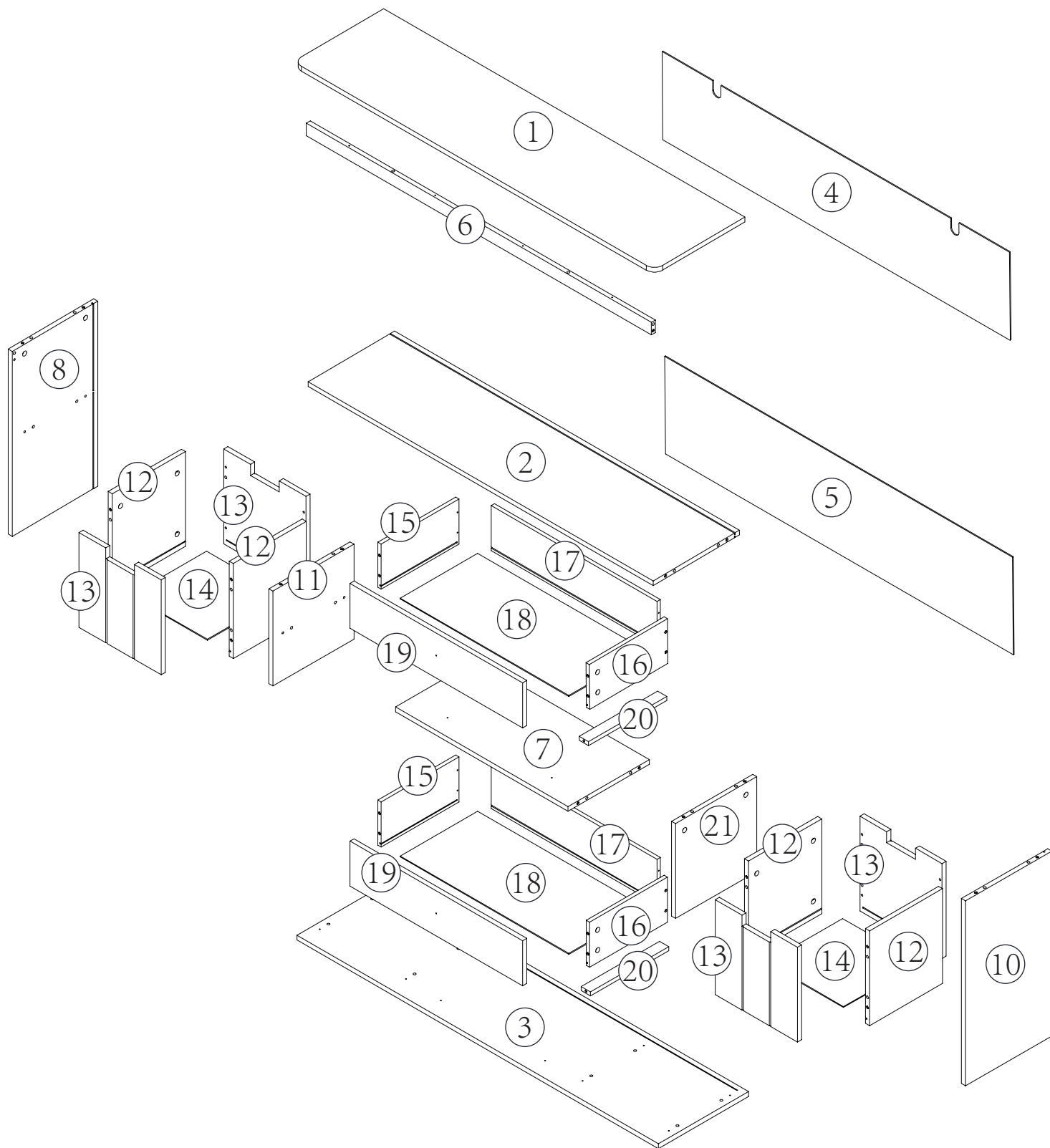







# PRODUCT ASSEMBLY

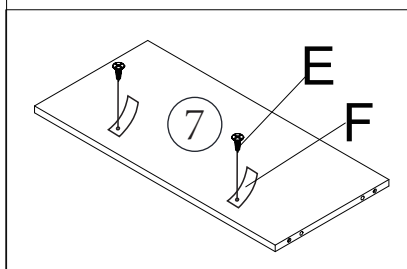
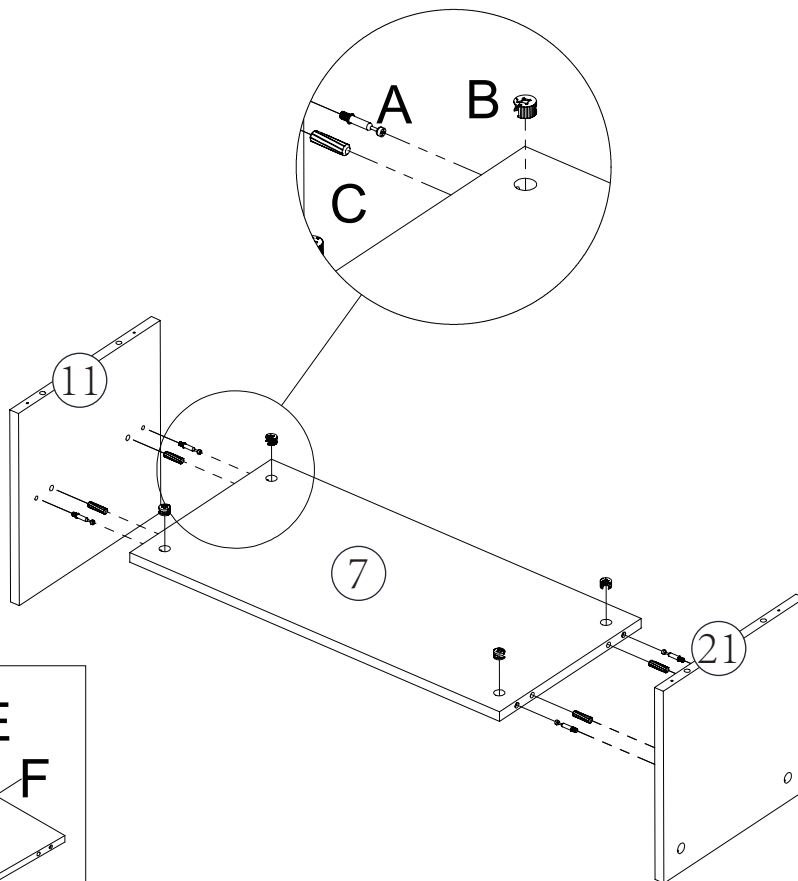







# PRODUCT ASSEMBLY

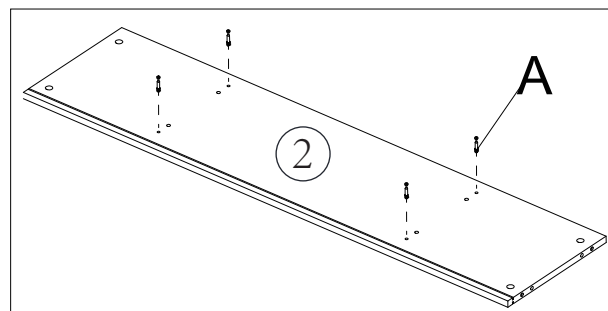
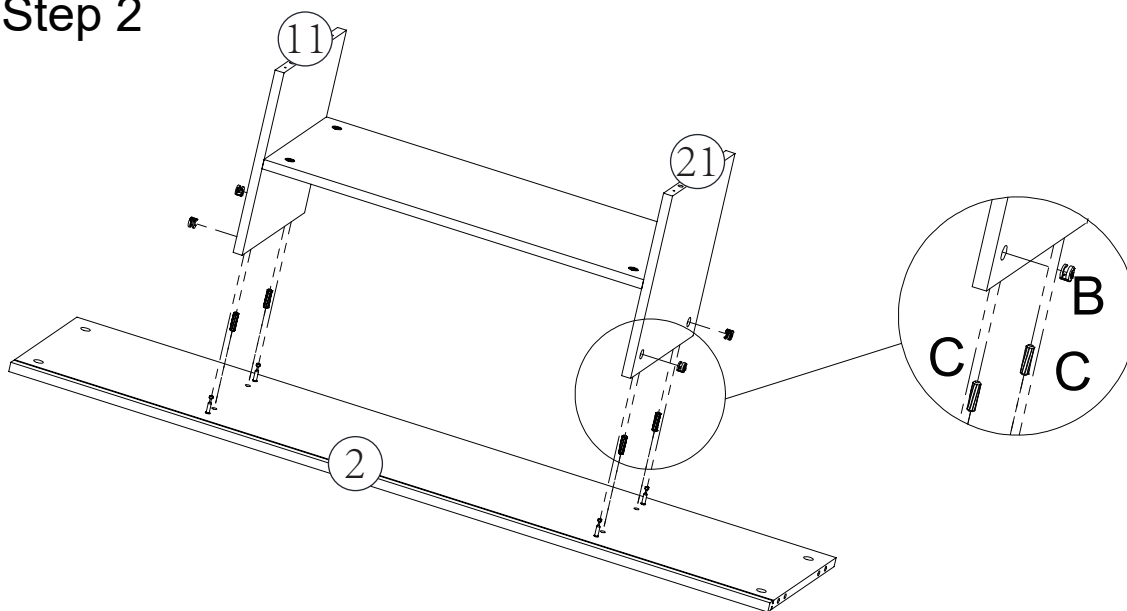
## Step 1

A		4 pcs
B		4 pcs
C		4 pcs
E		2 pcs
F		2 pcs



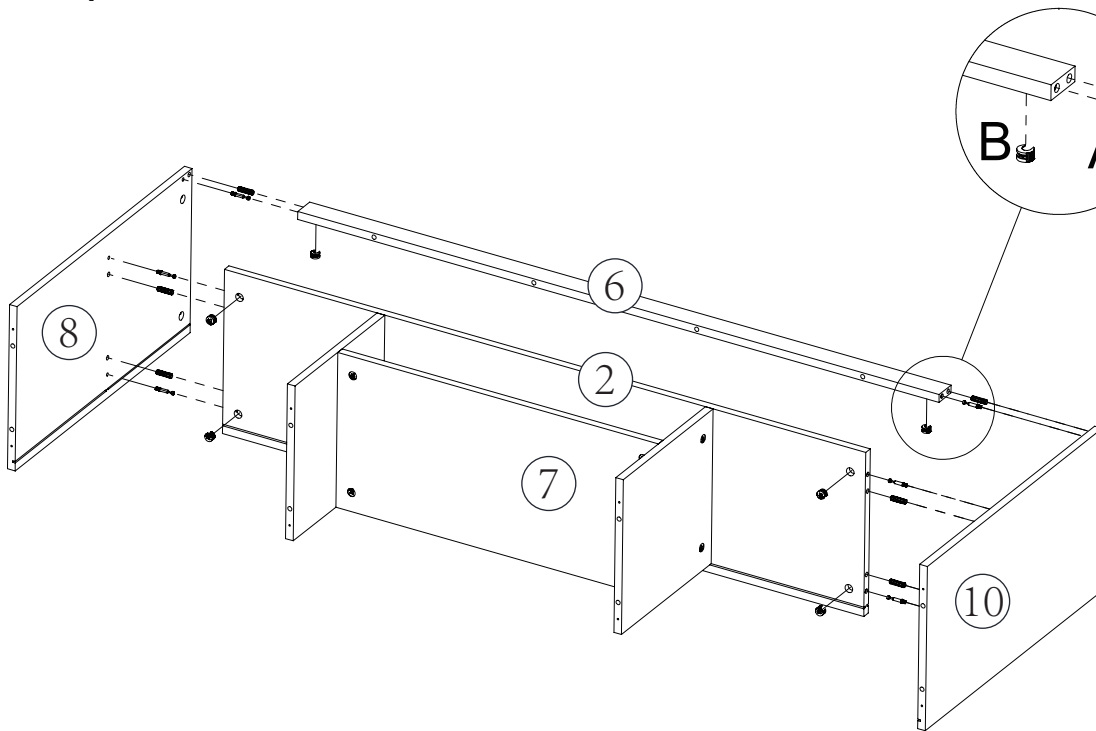
## Step 2




A		4 pcs
B		4 pcs
C		4 pcs



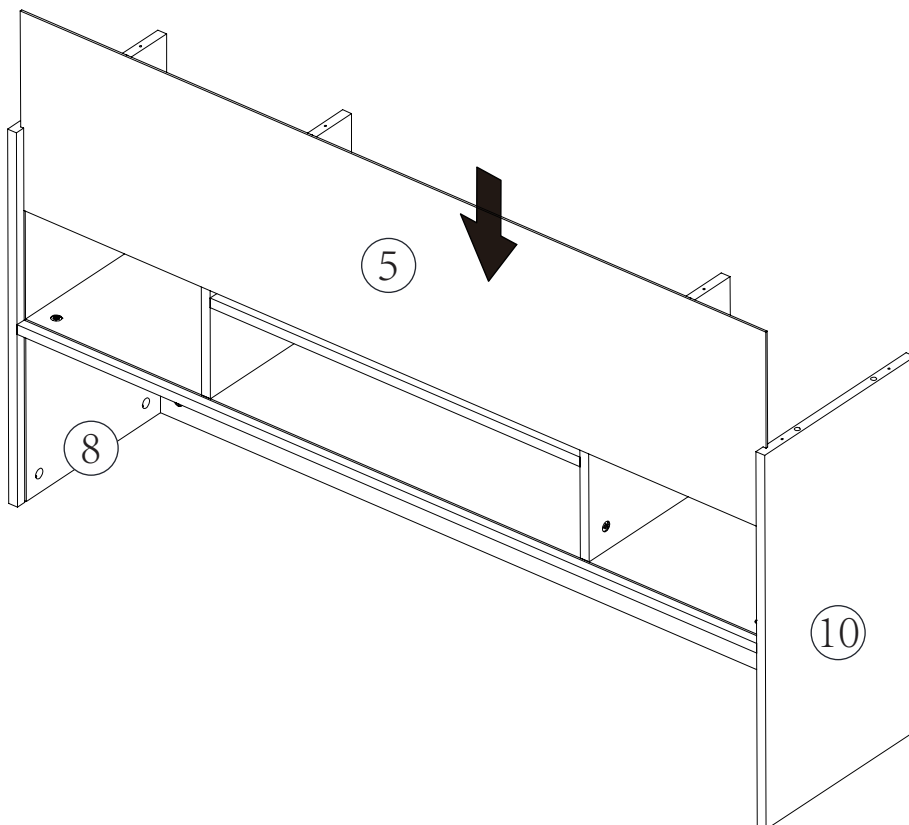
# PRODUCT ASSEMBLY

## Step 3







A		6 pcs
B		6 pcs
C		6 pcs

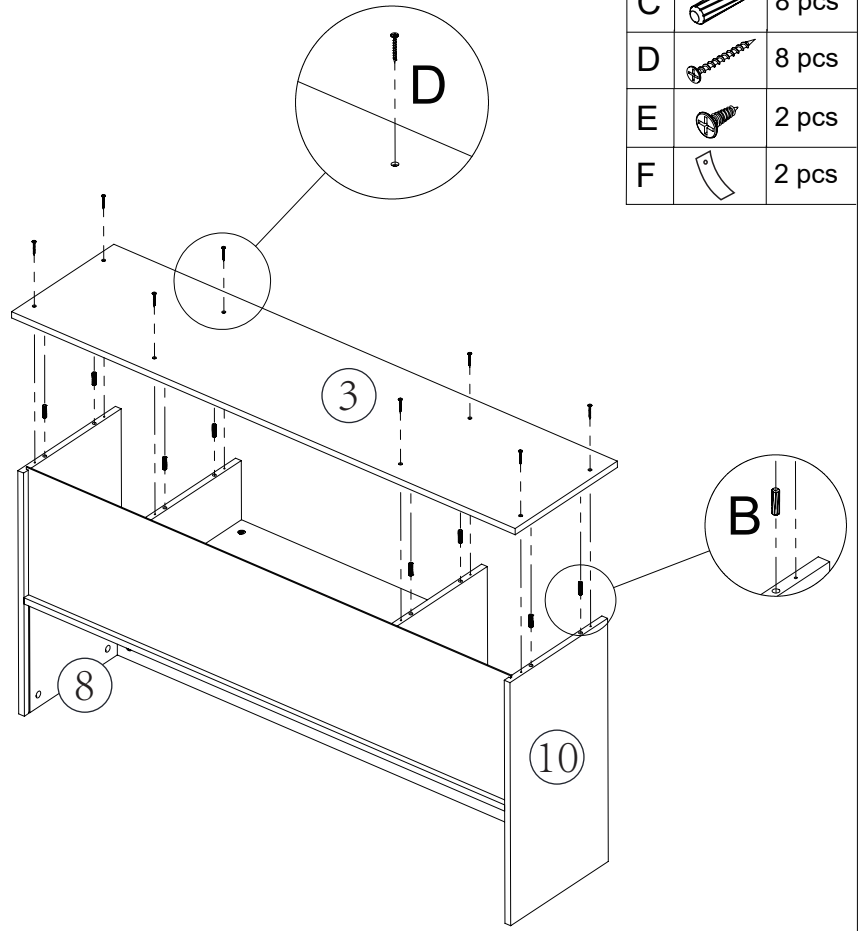
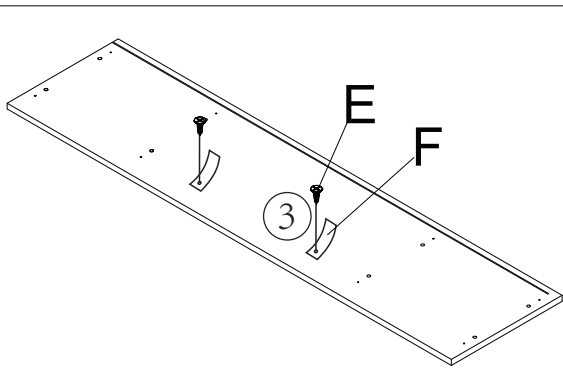
## Step 4



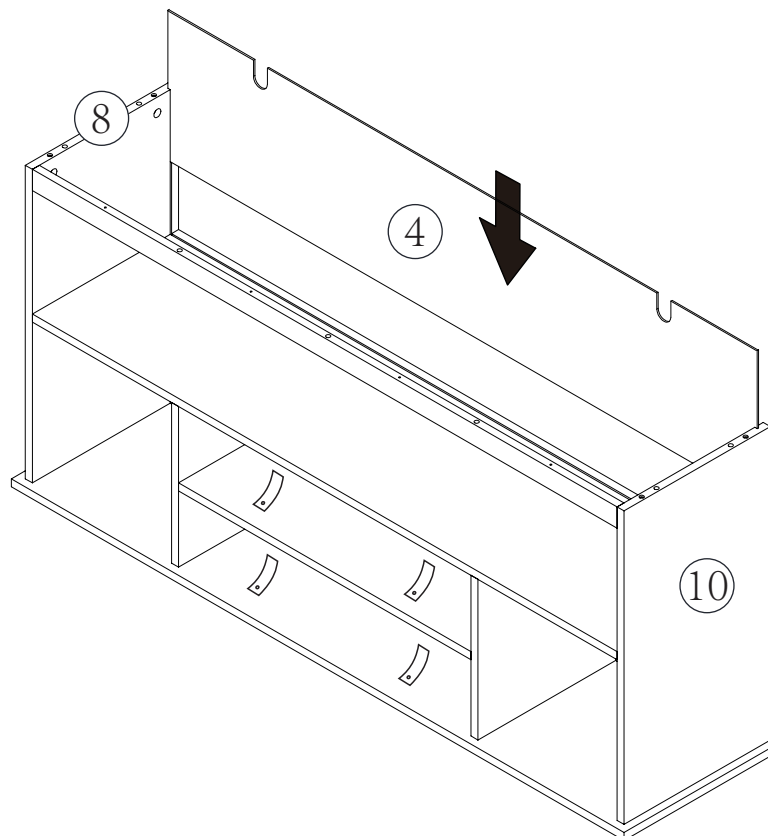
# PRODUCT ASSEMBLY

## Step 5

C		8 pcs
D		8 pcs
E		2 pcs
F		2 pcs





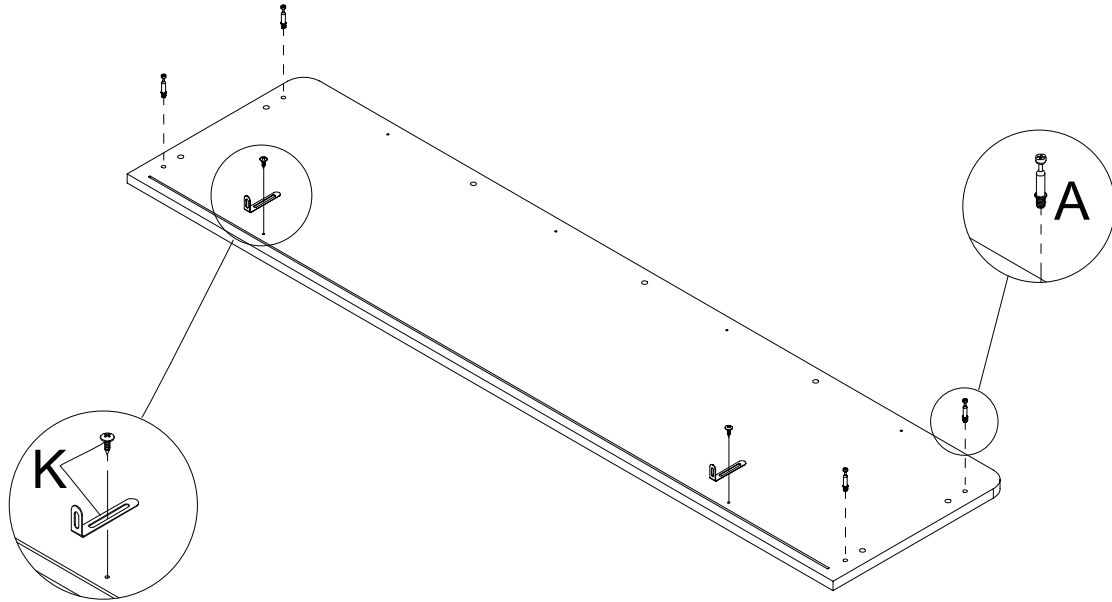
## Step 6






# PRODUCT ASSEMBLY

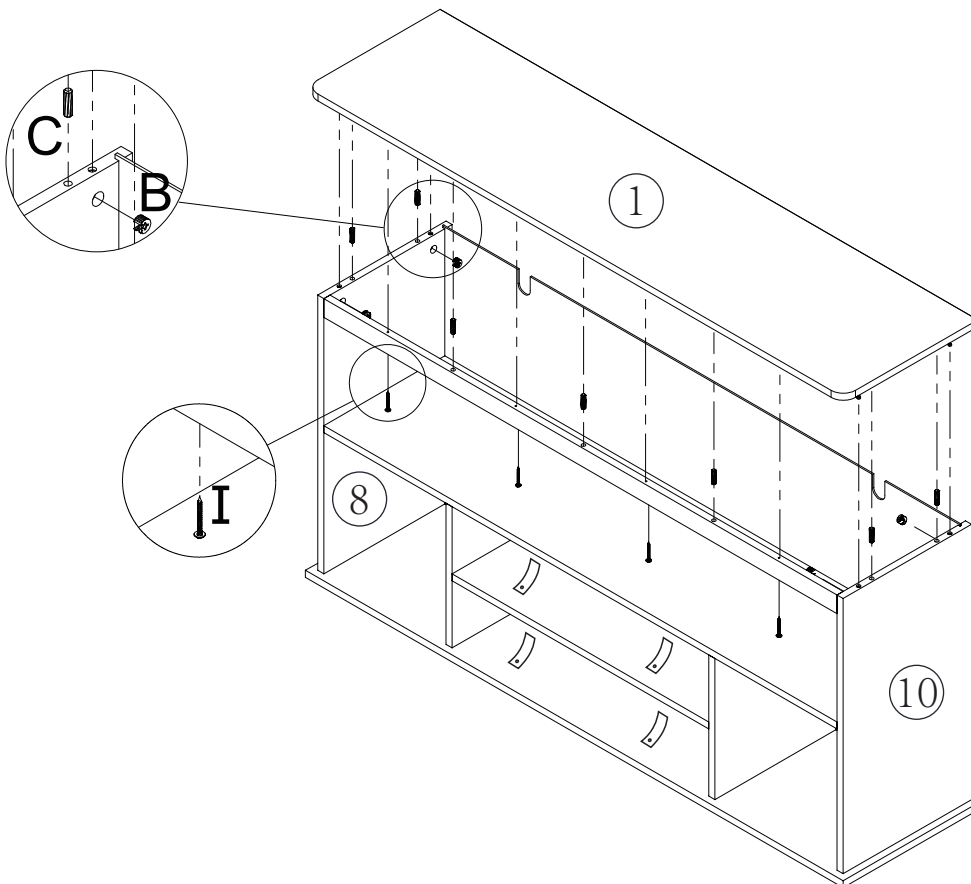
## Step 7

A		4 pcs
K		2 sets





## Step 8

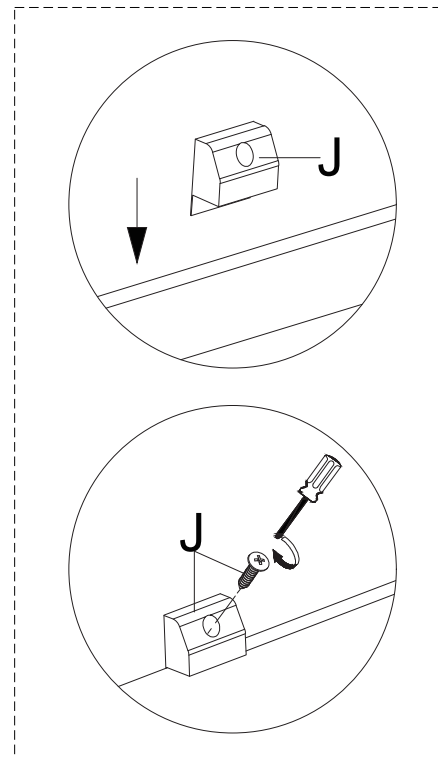
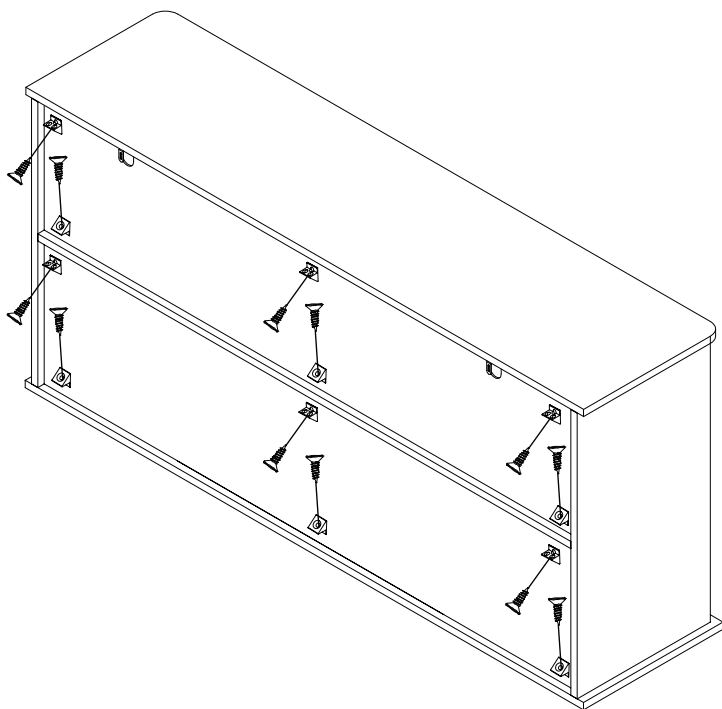
B		4 pcs
C		7 pcs
I		4 pcs






# PRODUCT ASSEMBLY

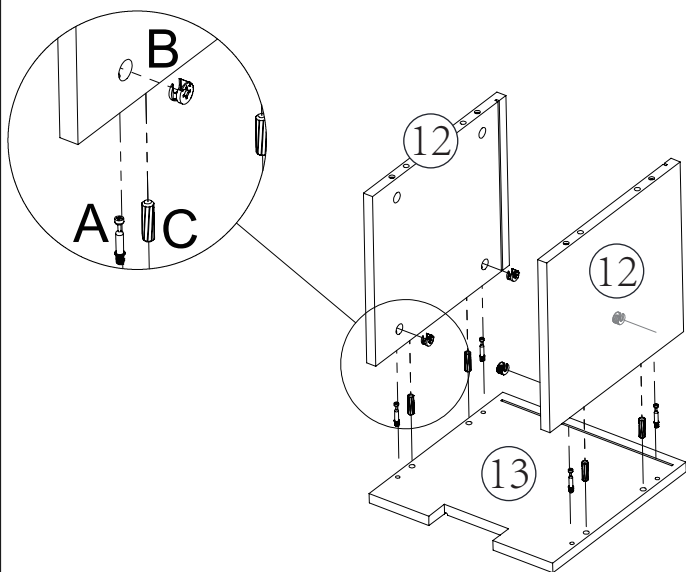
## Step 9

J   12 sets



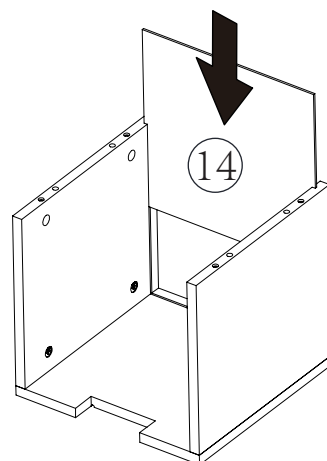
## Step 10

A		8 pcs
B		8 pcs
C		8 pcs



**X 2**




## Step 11

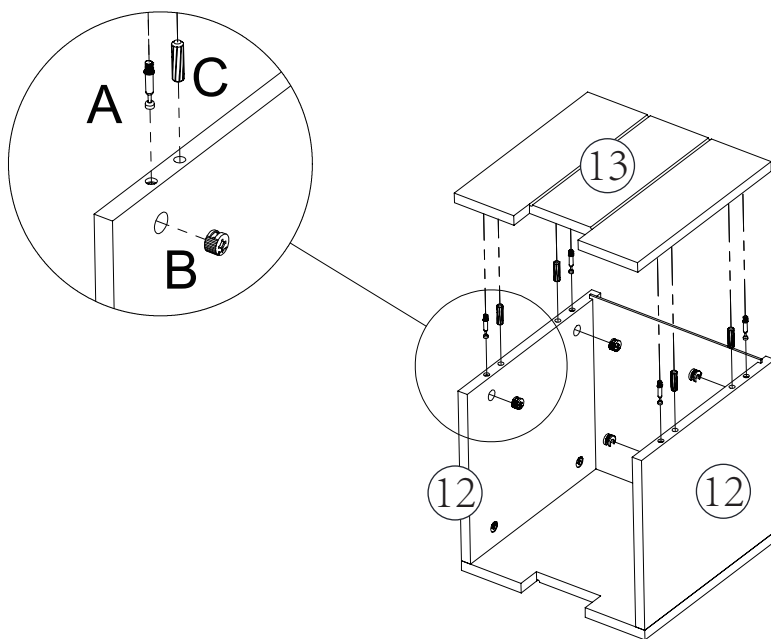


**X 2**

# PRODUCT ASSEMBLY

## Step 12

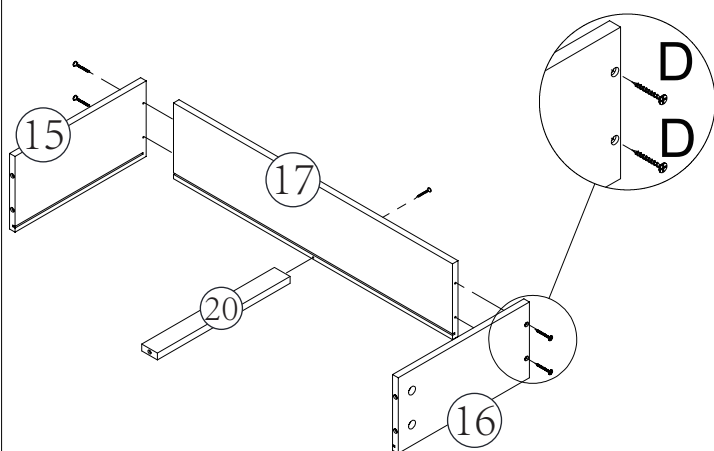
A		8 pcs
B		8 pcs
C		8 pcs



**X 2**

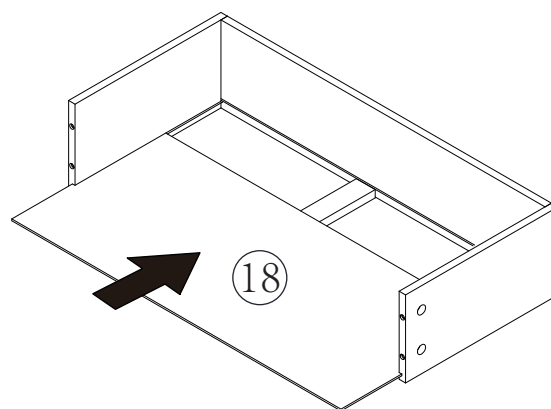
## Step 13

D		10 pcs
---	---	--------



**X 2**





## Step 14

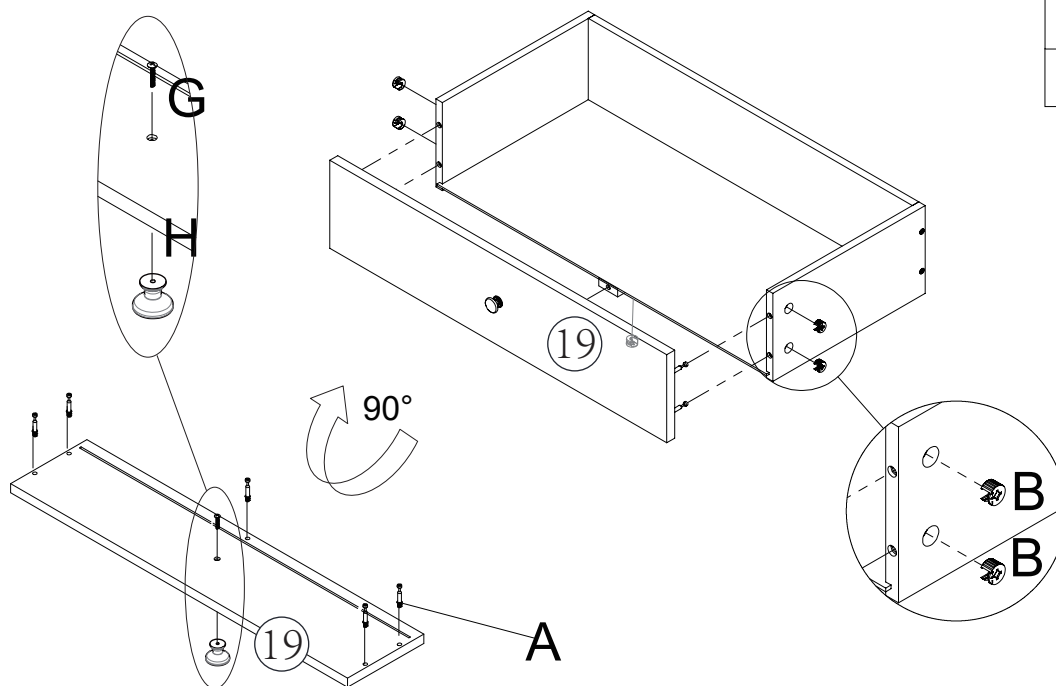


**X 2**

# PRODUCT ASSEMBLY

## Step 15

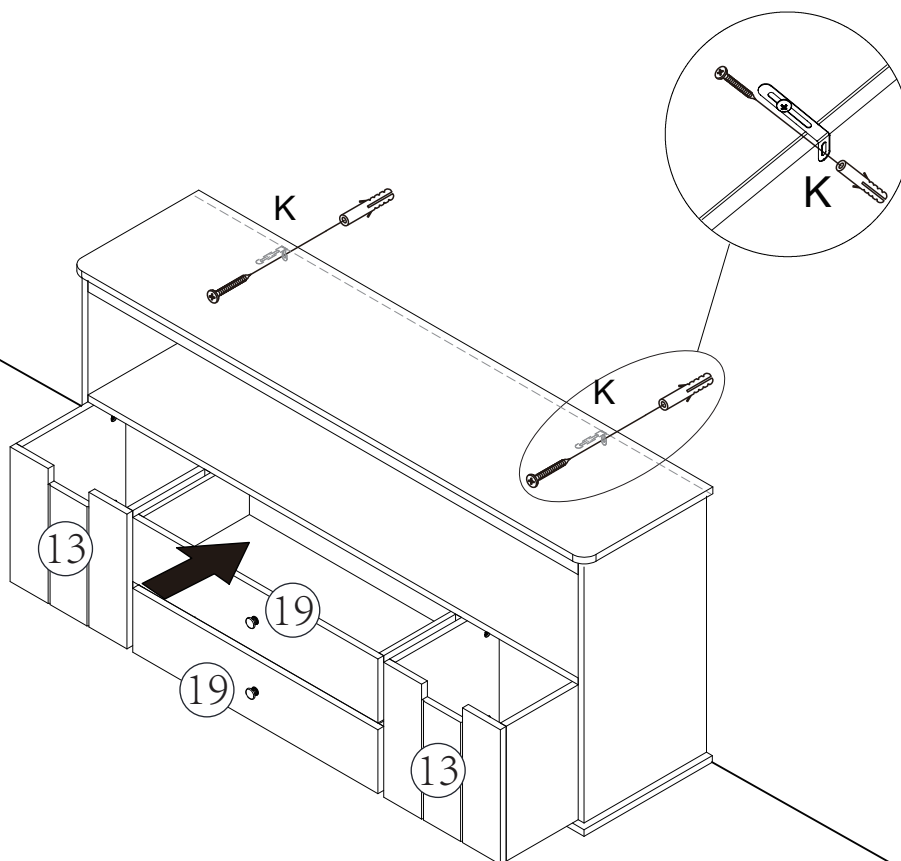
A		10 pcs
B		10 pcs
G		2 pcs
H		2 pcs



**X 2**

## Step 16

**⚠ WARNING!**  
 IN ORDER TO PREVENT OVERTURNING  
 THIS PRODUCT MUST BE USED WITH THE  
 WALL ATTACHMENT DEVICE PROVIDED



**WARNING:** Before  
 drilling, check wall  
 for hidden pipes and  
 cables