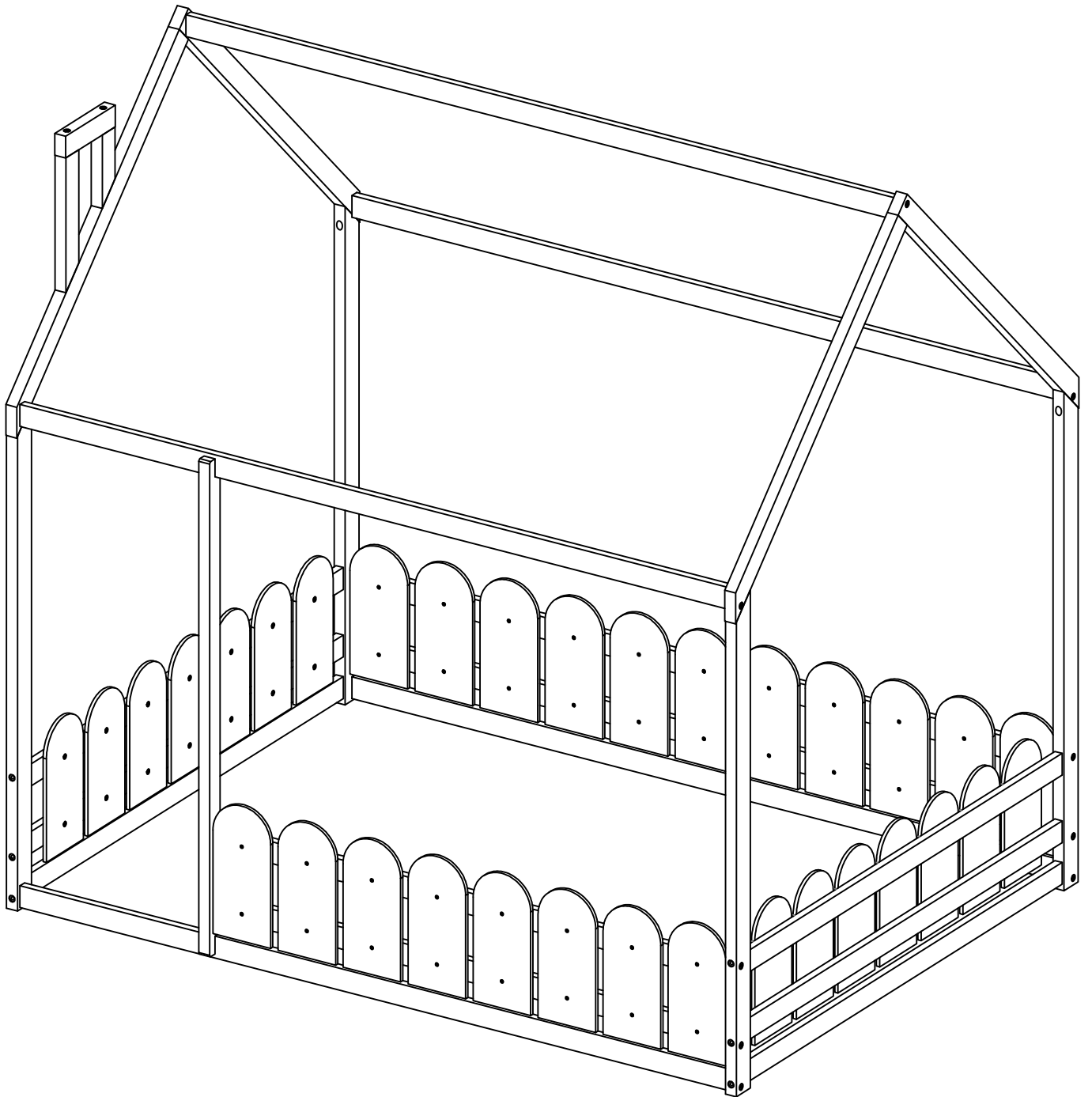
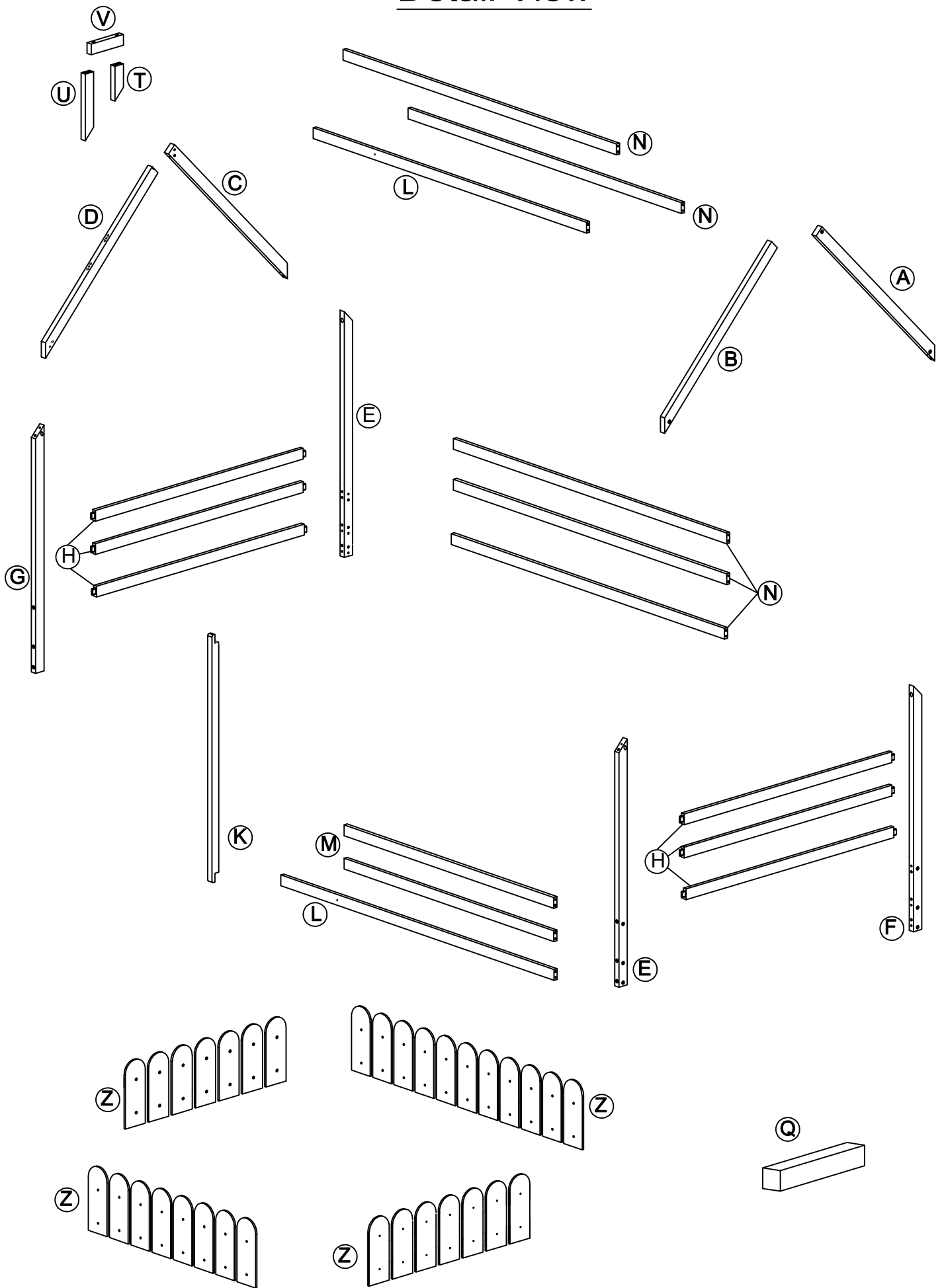


ASSEMBLY INSTRUCTIONS

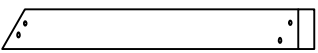
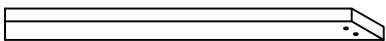
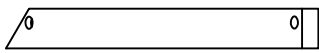
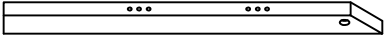
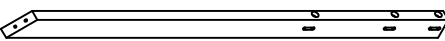
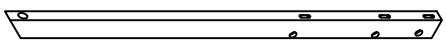
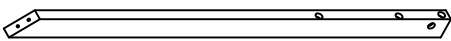
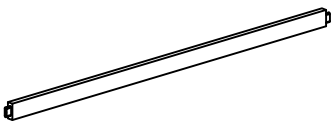
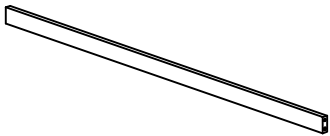
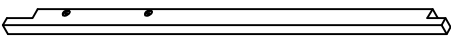
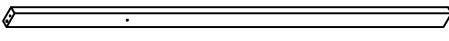
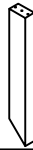
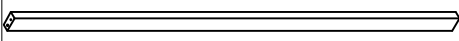
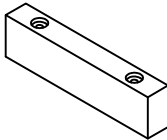
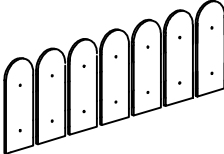
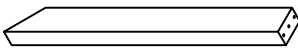

FULL SIZE - MONTESORI HOUSE BED WITH FENCE



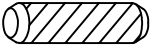


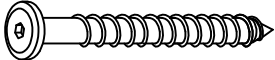


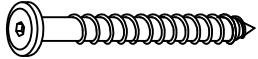
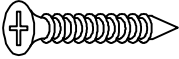

Detail View



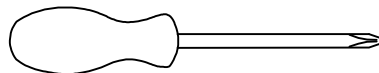
Part List

A 	B 	C 
Cap for upper HB-1pc	Cap for lower HB-1pc	Cap for upper FB-1pc
D 	E 	F 
Cap for lower FB-1pc	Upper leg HB (L/R)-2pcs	Upper leg FB -1pc
G 	H 	M 
Upper leg FB -1pc	Horizontal bar HB&FB-6pcs	Front side panels - 2pcs
K 	L 	T 
Center upper leg -1pc	Front guard rails 2pc	Guard rail top 1pc
N 	V 	Z 
Back guard rails -5pcs	Guard rail top 1pc	Panel - 33pcs
U 	Q 	
Guard rail top 1pc	Distance bar (20mm) - 1pc	

Hardware List

1  Ø10*30mm Wood dowel (30pcs)	2  Ø6" x 85 mm Wood Screws (16pcs)	3  Ø1/4" x 80 mm Wood Screws (18pcs)
4  Ø6" x 100 mm Wood Screws (2pcs)	5  Ø6" x 30 mm Wood Screws (2pcs)	6  (1/4")4.5*58mm Allen Key (1pc)
7  Ø6" x 50 mm Wood Screws (4pcs)	8  #4*25mm Screw (66pcs)	9  Ø9.5x13 Horizontal-Hole bolt (18pcs)

ASSEMBLY TOOLS REQUIRED (NOT INCLUDED)



PLEASE BE CAREFUL DO NOT DAMAGE THE HOLE POSITION WHEN YOU USE POWER TOOLS !

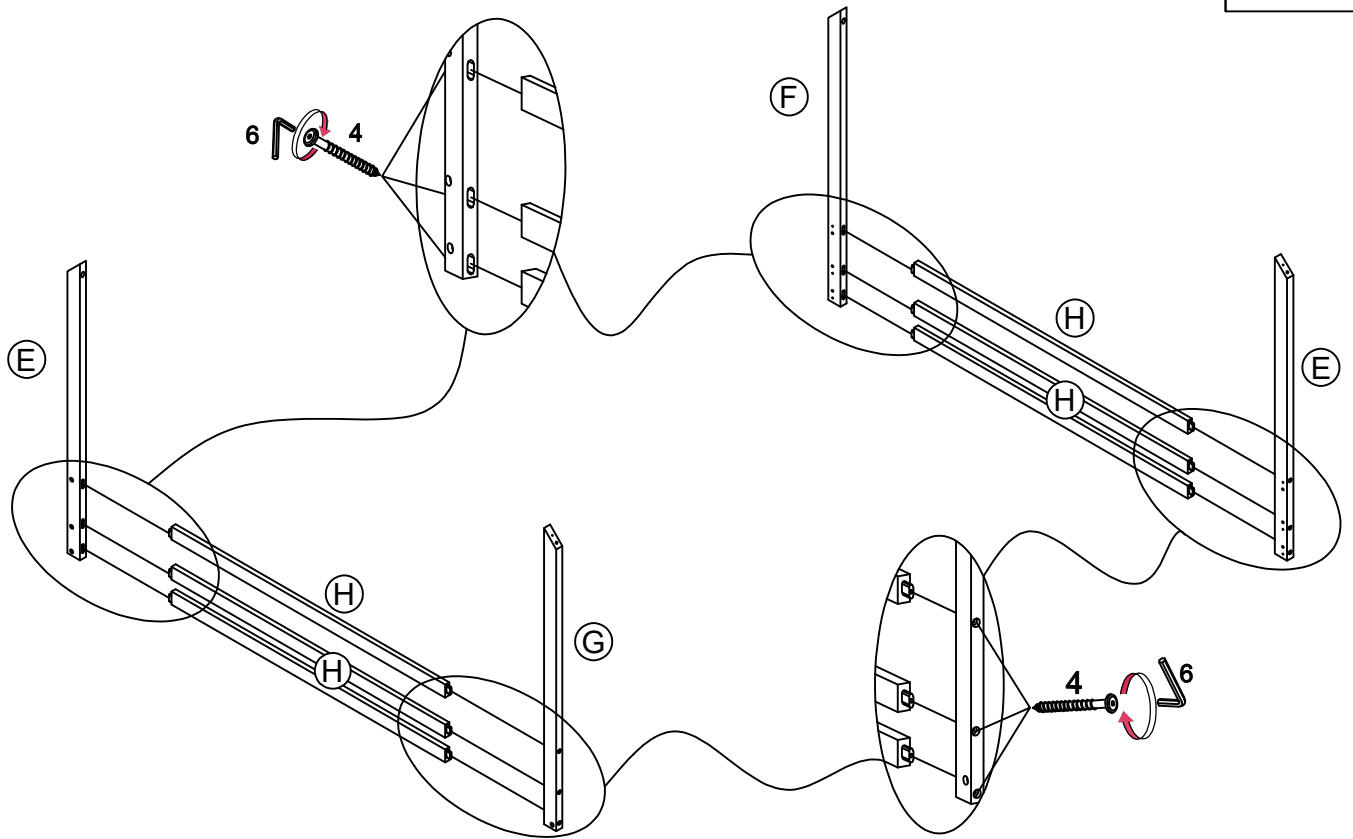
STEP 1: Following below illustration Assembly FRAME #1.

Using hardware # 2 connect E and G Front right-left leg with H Left horizontal (lower-upper)
 And using hardware # 2 connect F and E Back right-left leg with H Left horizontal (lower-upper)
 to complete FRAME #1.

2



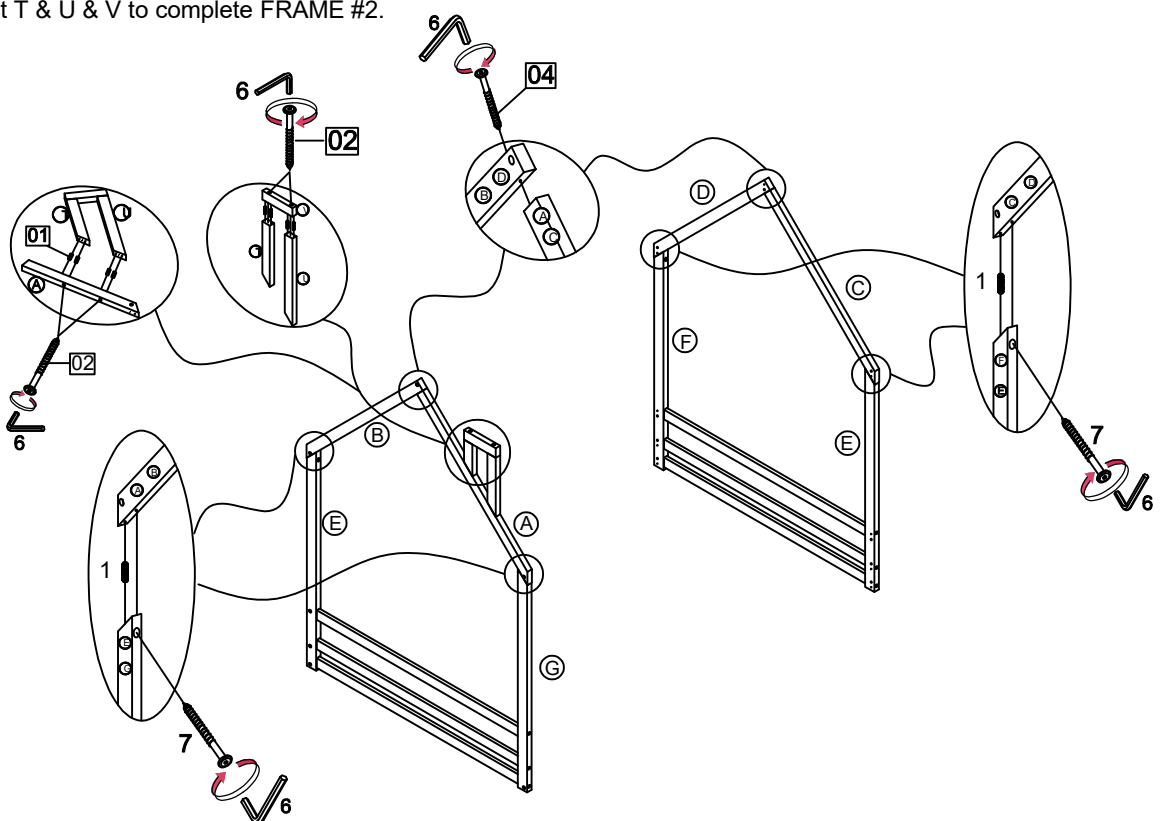
12PCS



STEP 2: Following below illustration Assembly FRAME #2.

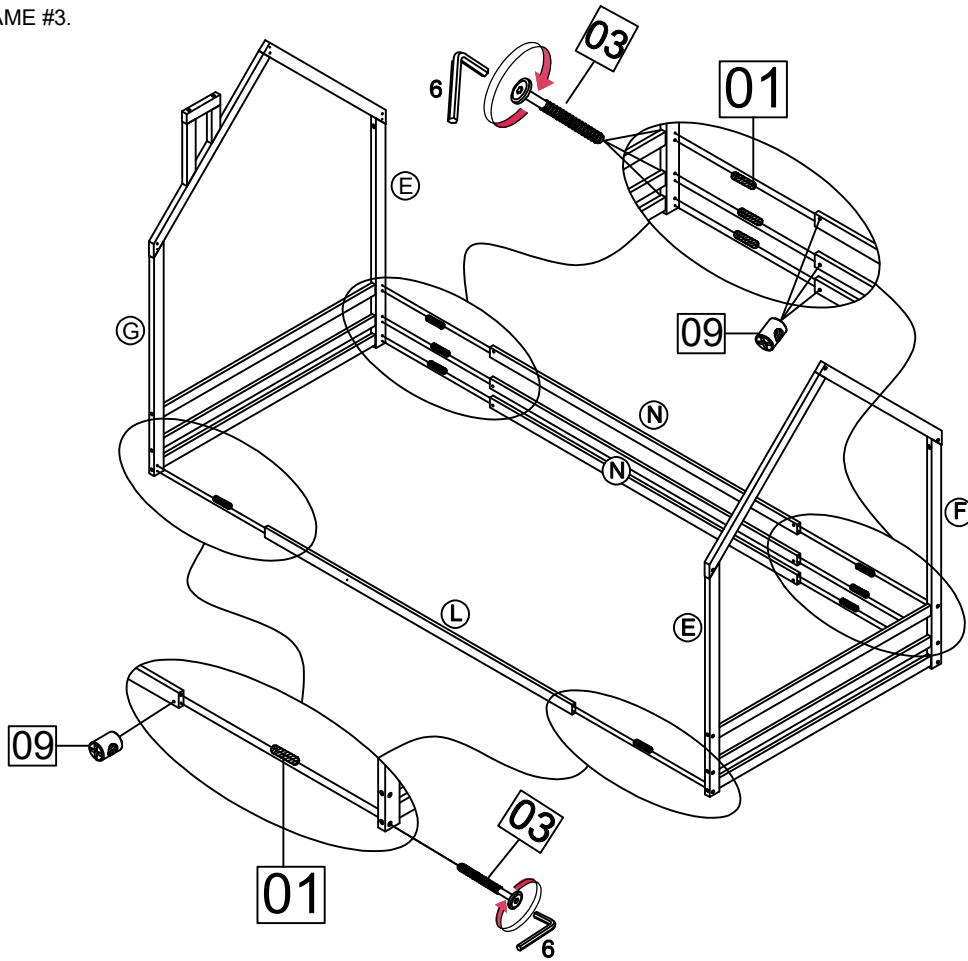
Using hardware # 1 & # 7 connect C and D Front right-left leg with F and E Left horizontal (lower-upper)
 And using hardware #1 & # 7 connect A and B Back right-left leg with E and G Left horizontal (lower-upper)
 and using hardware # 4 connect C and D & A and B . And using hardware #2 connect A and connect T & U & V to complete FRAME #2.

1	2	4	7
12PCS	4PCS	2PCS	4PCS



STEP 3: Following below illustration Assembly FRAME #3.

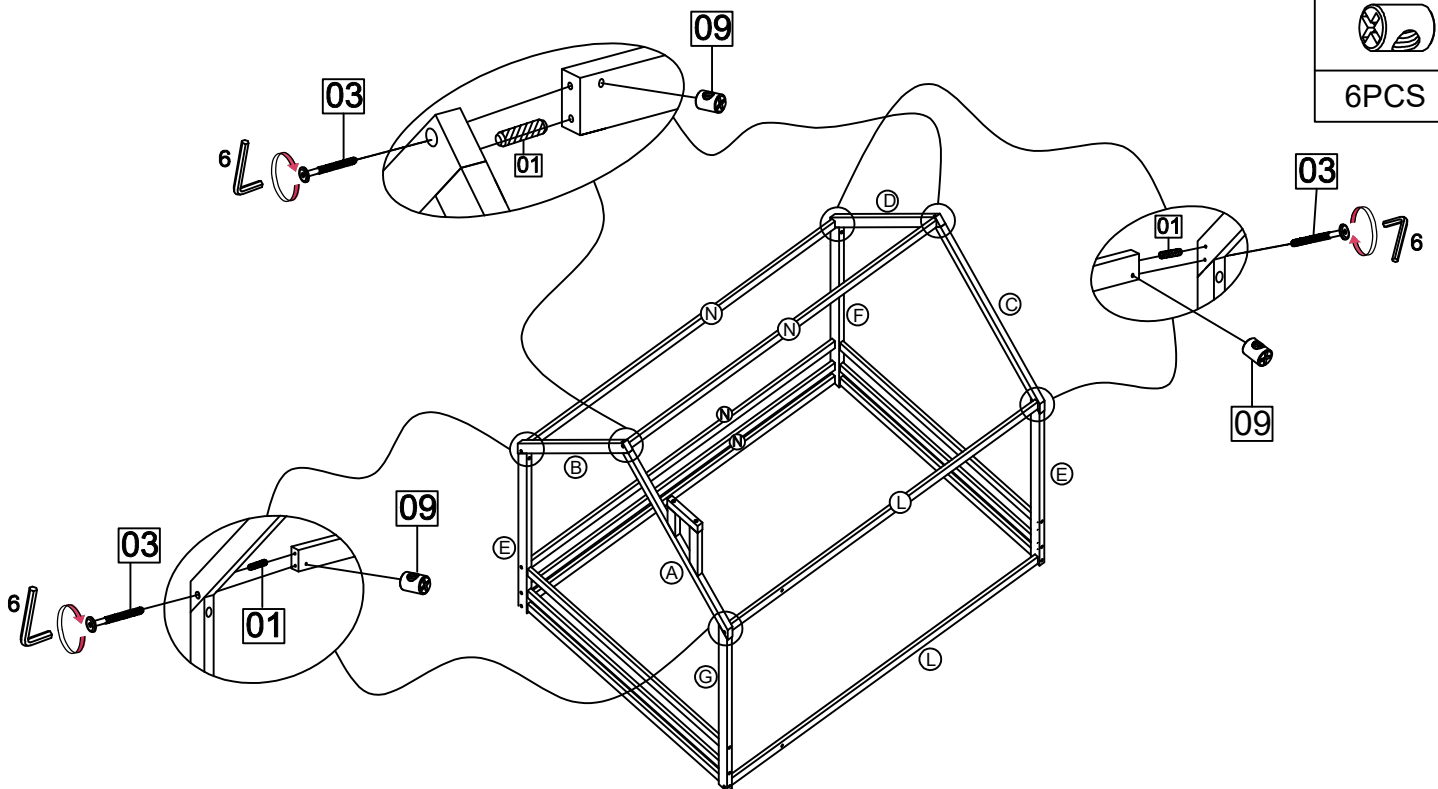
Using hardware #1 & # 3 & # 9 connect E and G Front right-left leg with N and L Left horizontal (lower-upper)
 And using hardware #1 & # 3 & # 9 connect F and E Back right-left leg with N and L Left horizontal(lower-upper)
 to complete FRAME #3.



01		03	
8PCS		8PCS	
		09	
		8PCS	

STEP 4: Following below illustration Assembly FRAME #4.




Using hardware #1 & # 3 & # 9 connect C and D Front right-left leg with N and L Left horizontal (lower-upper)
 And using hardware #1 & # 3 & # 9 connect A and B Back right-left leg with N and L Left horizontal (lower-upper)
 to complete FRAME #4.

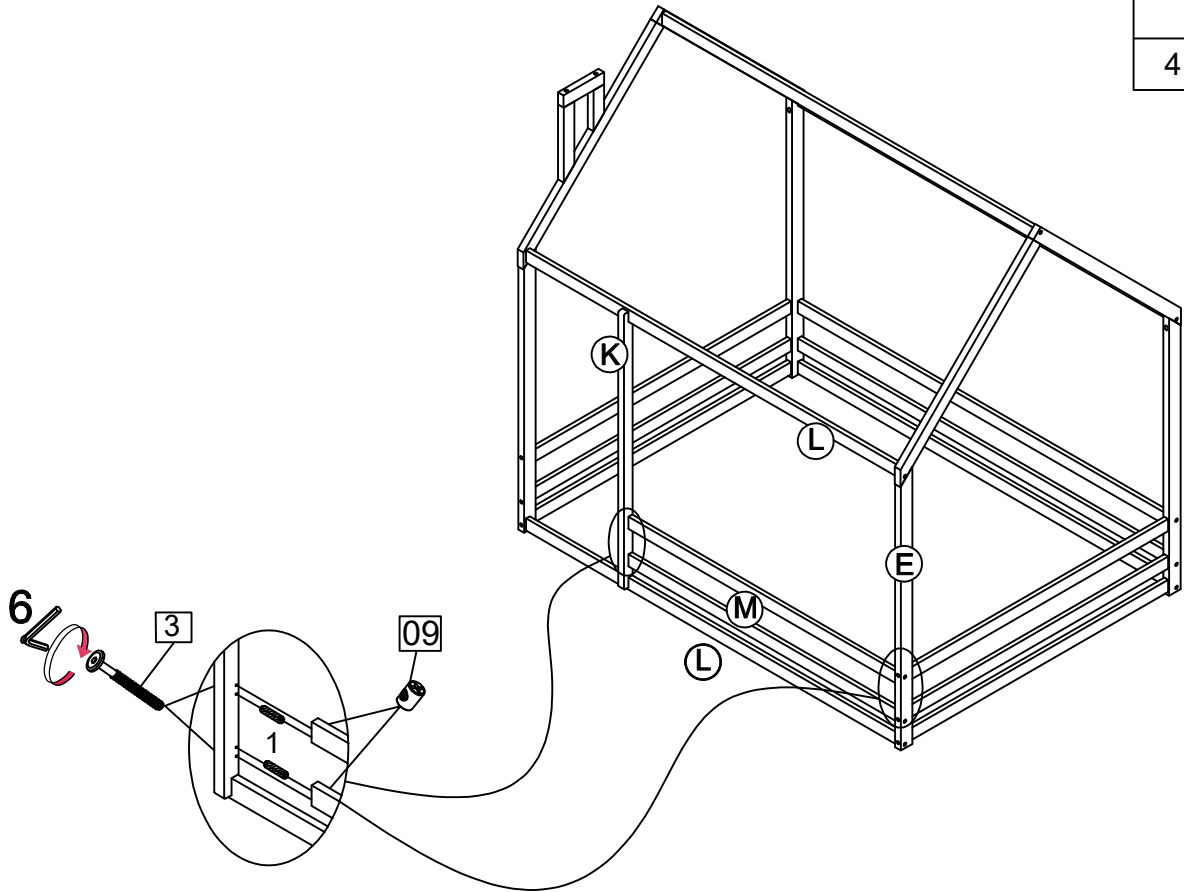


01		03	
6PCS		6PCS	
		09	
		6PCS	

STEP 5: Following below illustration Assembly FRAME #5.


Using hardware #1 & #3 & #9 connect K and M Front - left leg with E to complete FRAME #5

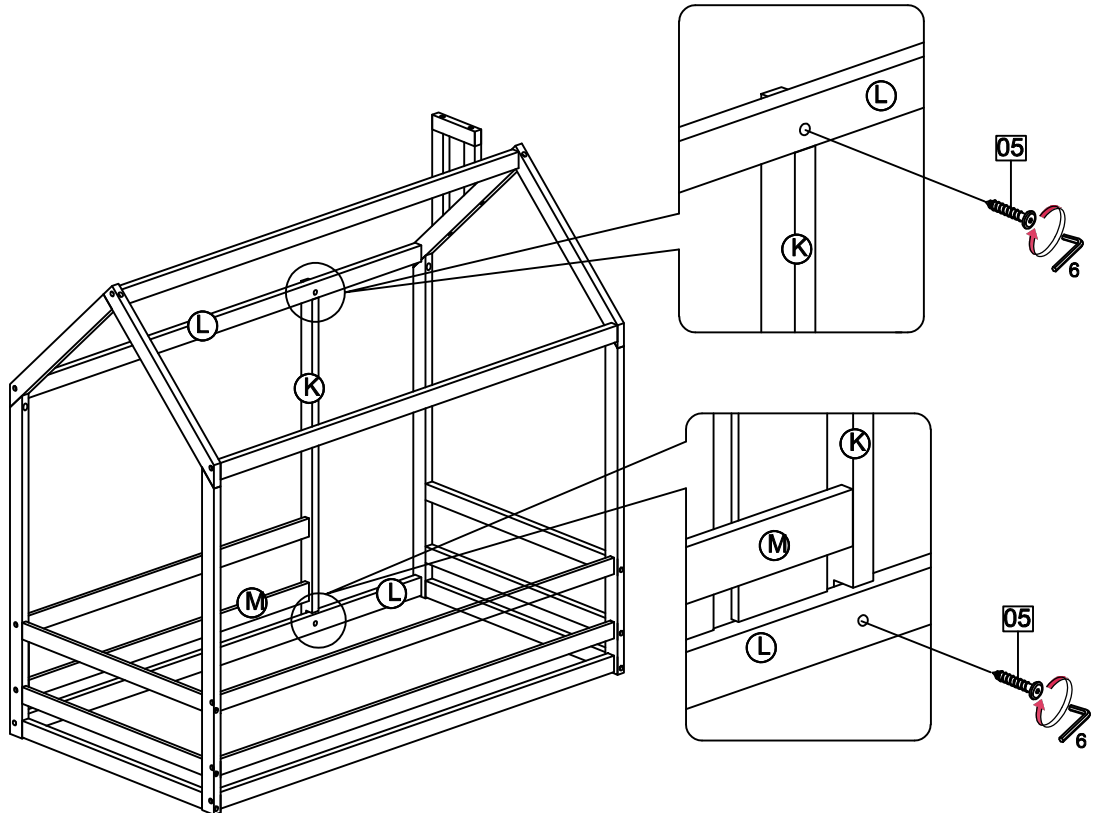
01		03	
4PCS		4PCS	
		09	
		4PCS	



STEP 6: Following below illustration Assembly FRAME #6.


Using hardware #5 connect K and L to complete FRAME #6

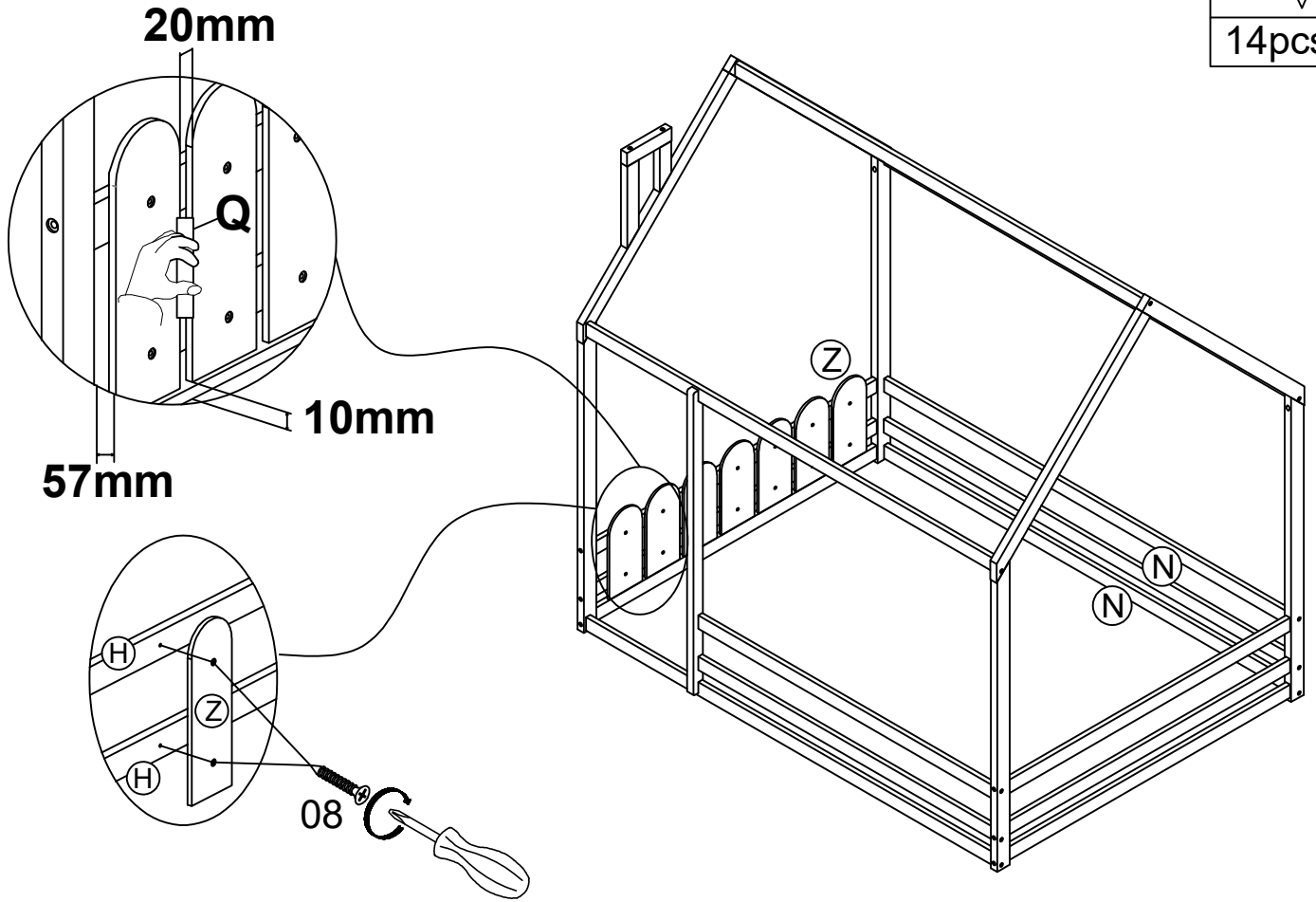
05	
2PCS	



STEP 7: Below illustrates FRAME Assembly #7.


Use hardware #8 connect Z Front - left foot to H and use Q measure detailed distance to complete FRAME NO.7

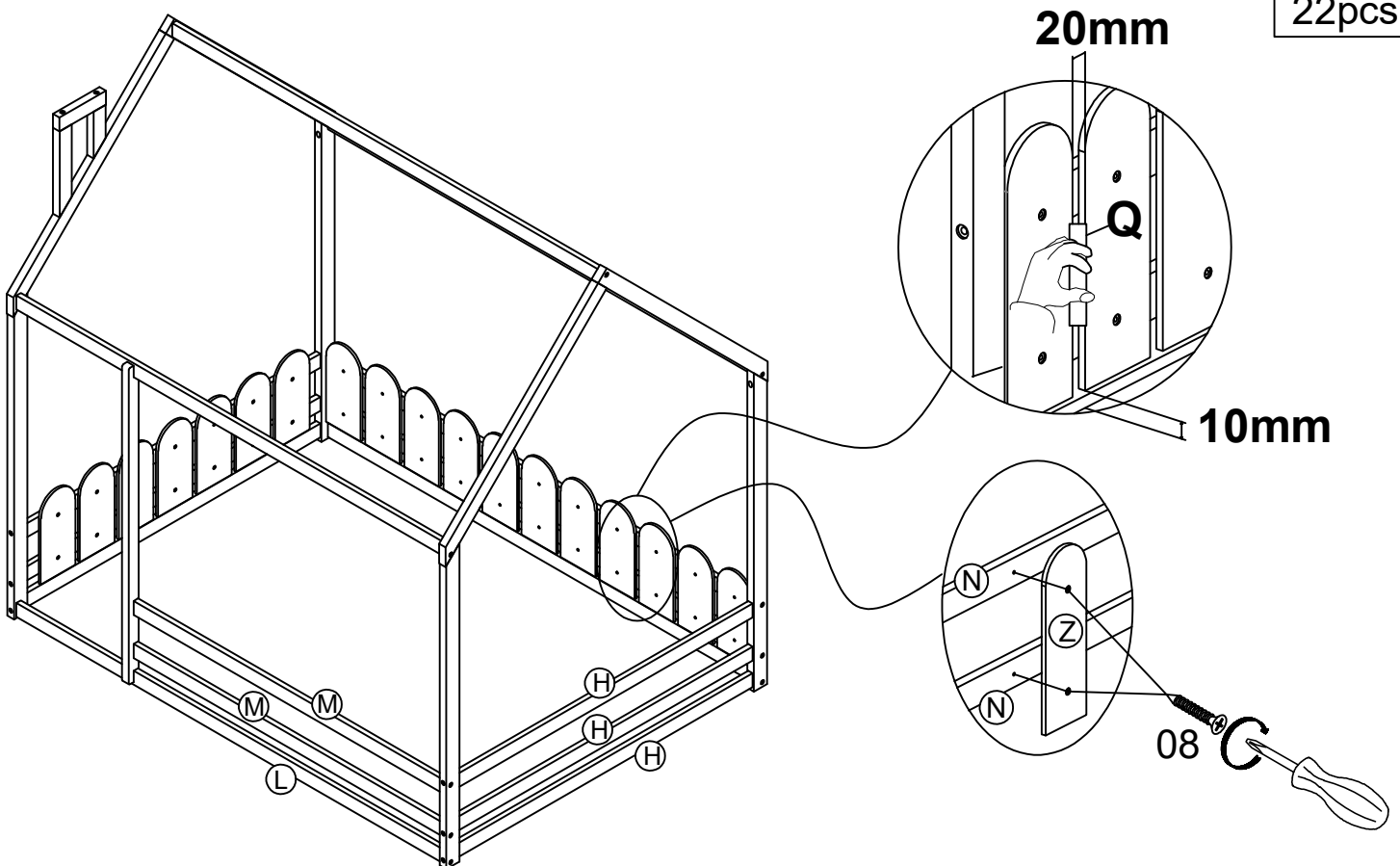
08 
14pcs



STEP 8: The illustration below is Assembly FRAME #8.


Use hardware #8 connect Z Front - left foot to N and use Q measure detailed distance to complete FRAME #8

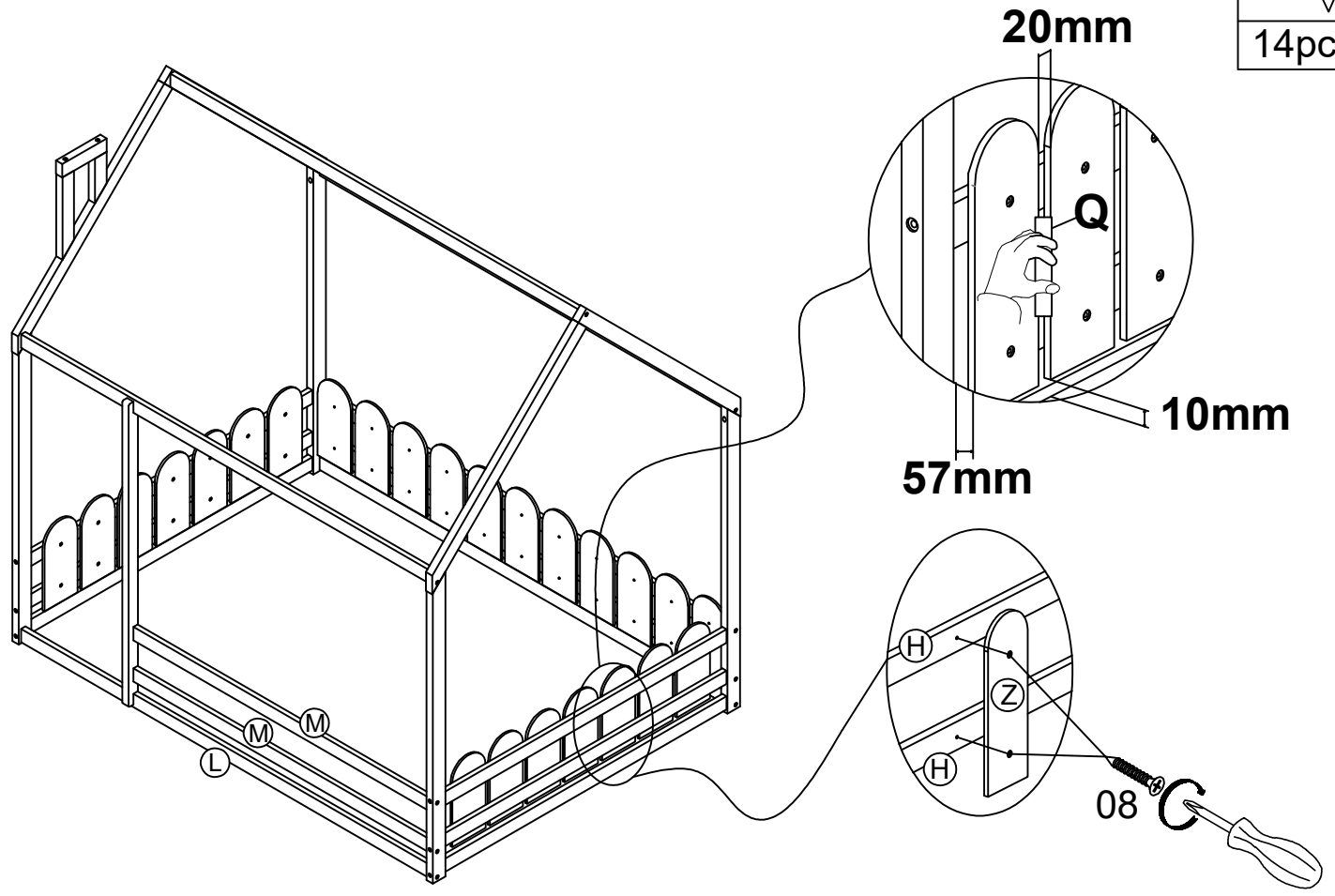
08 
22pcs



STEP 9: Below illustrates FRAME Assembly #9.


Use hardware #8 connect Z Front - left foot to H and use Q measure detailed distance to complete FRAME #9

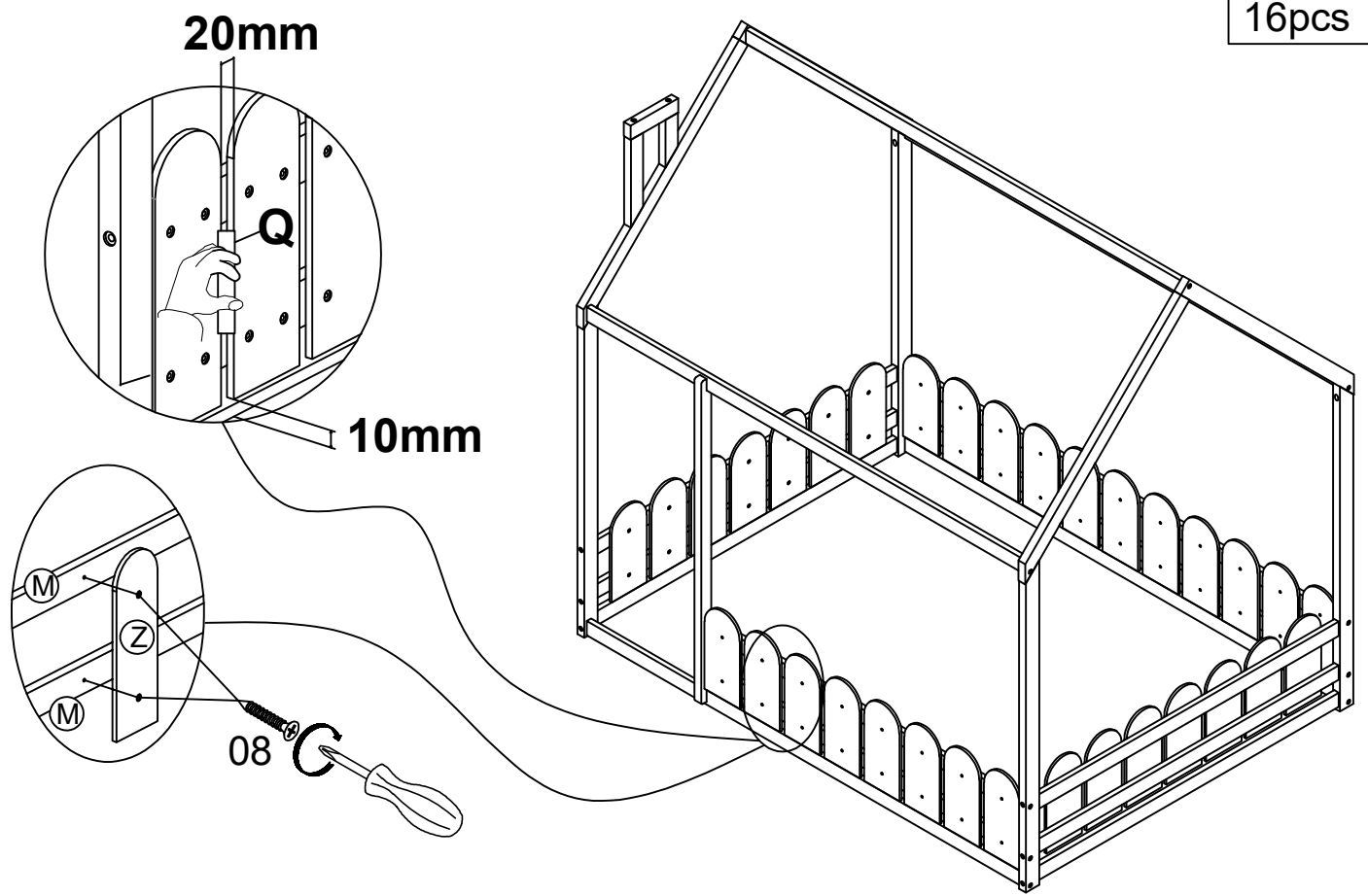
08	
14pcs	



STEP 10: The following illustrates the Assembly FRAME #10.

Use hardware #8 connect Z Front - left foot to M and use Q measure detailed distance to complete FRAME #10

08	
16pcs	



COMPLETED

