

3-FUNCTION SHOWER SYSTEM

BEFORE YOU BEGIN

We recommend consulting a professional if you are unfamiliar with installing plumbing fixtures. Wellfor accepts no liability for any damage to the plumbing, floor, walls, tub, or for personal injury during installation.

Observe all local plumbing and building codes.

Unpack and inspect the item for shipping damage. If any damage is found, contact our Customer Relations team at 206.809.0093.

GETTING STARTED

Ensure that you have gathered all the required materials that are needed for the installation.

For the following installation instructions, it is assumed that the wall has been opened and that the existing shower set has been removed.

Before you begin, the main water supply to your home should be shut off.

TOOLS AND MATERIALS:



Plumbers Tape



Tape Measure



Phillips Screwdriver



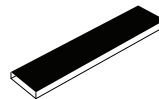
Adjustable Wrench



Drill



Hex Wrench



Wood Blocking



Soldering Kit (for copper pipe)



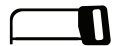
1/2" Test Plug



Level



Pencil or Marker



Hacksaw



All dimensions and specifications are nominal and may vary. Use actual products for accuracy in critical situations.

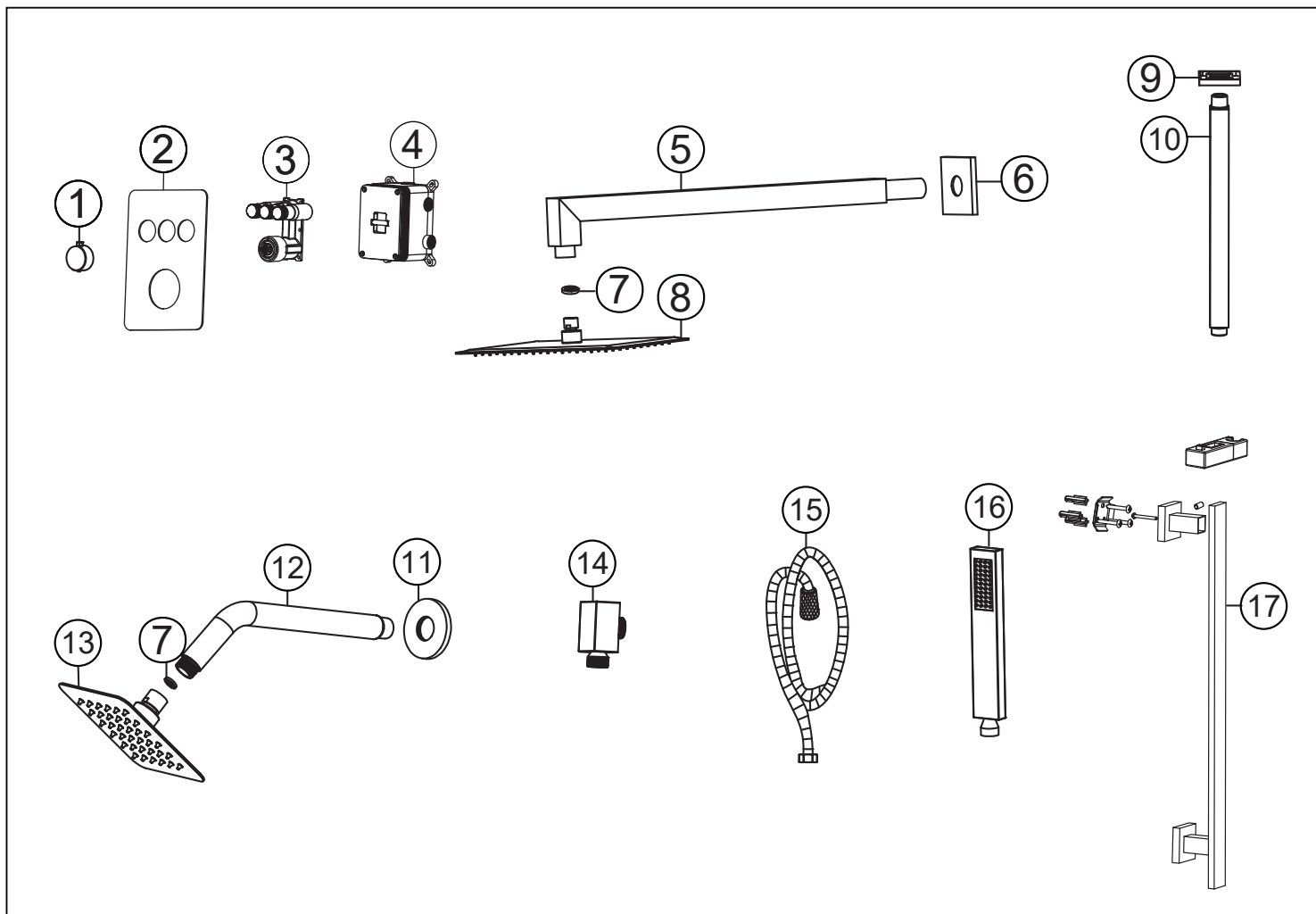


Accessories size, style and shape may vary from the picture above. Instruction purpose only.

3-Function Thermostatic Shower

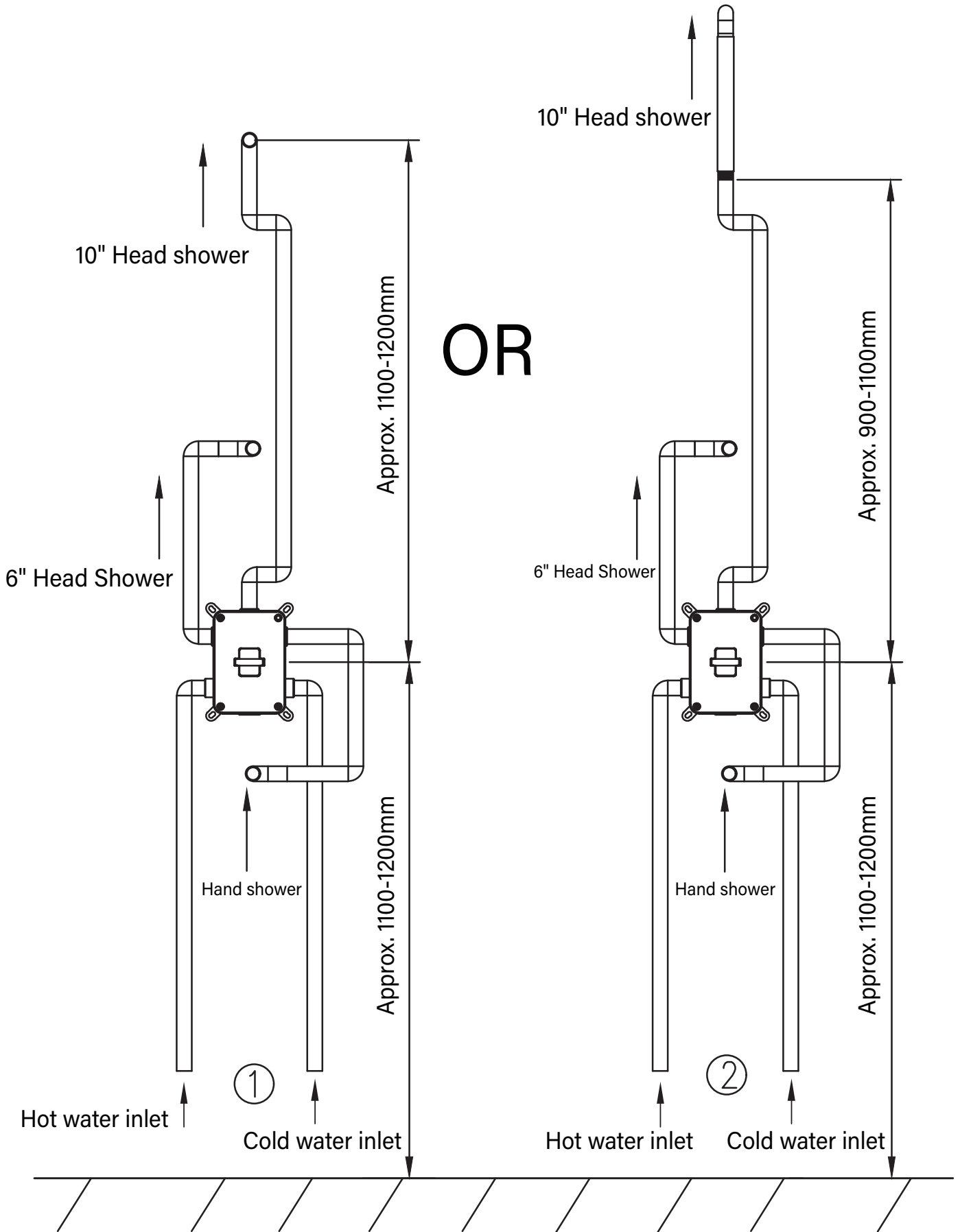
Model:WB-0977BN /WB-0977MB/WB-0977BG

ACCESSORIES LIST

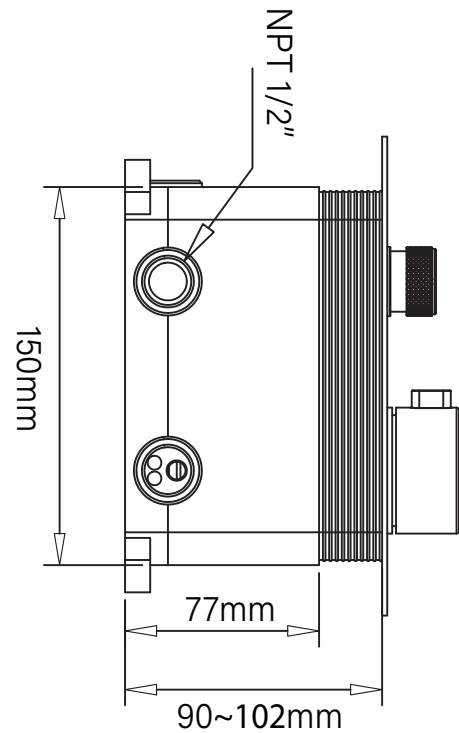
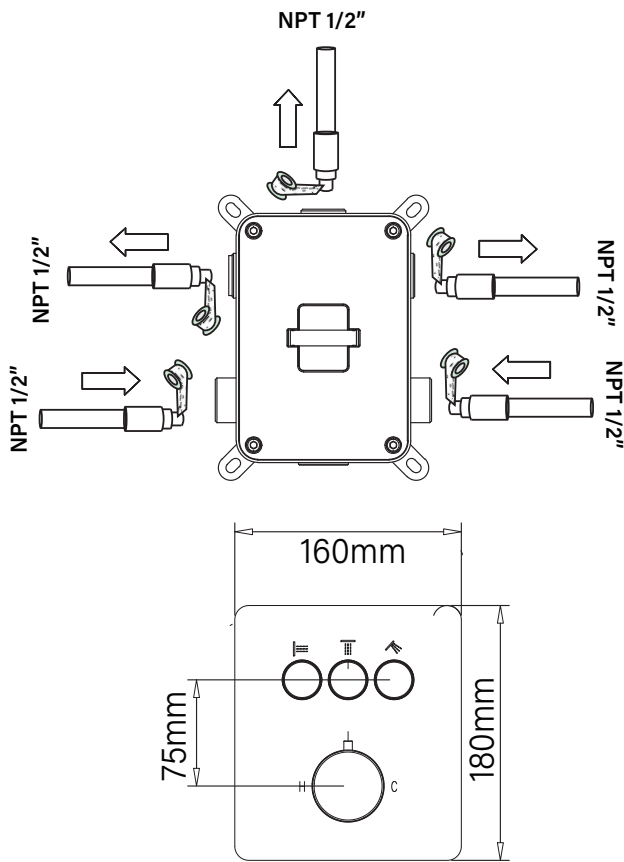


S/N	MODELS	QTY	S/N	MODELS	QTY
1	Knob for water temp.	1	10	Shower arm B	1
2	Metal Plate	1	11	Shower arm flange	1
3	Thermosatic valve	1	12	Shower arm C	1
4	Valve box	1	13	6" Head Shower	1
5	Shower arm A	1	14	Water inlet for hose	1
6	Shower arm flange	1	15	Shower hose	1
7	Rubber Gasket	2	16	Hand shower	1
8	10" Head shower	1	17	Sliding bar	1
9	Shower arm flange	1			

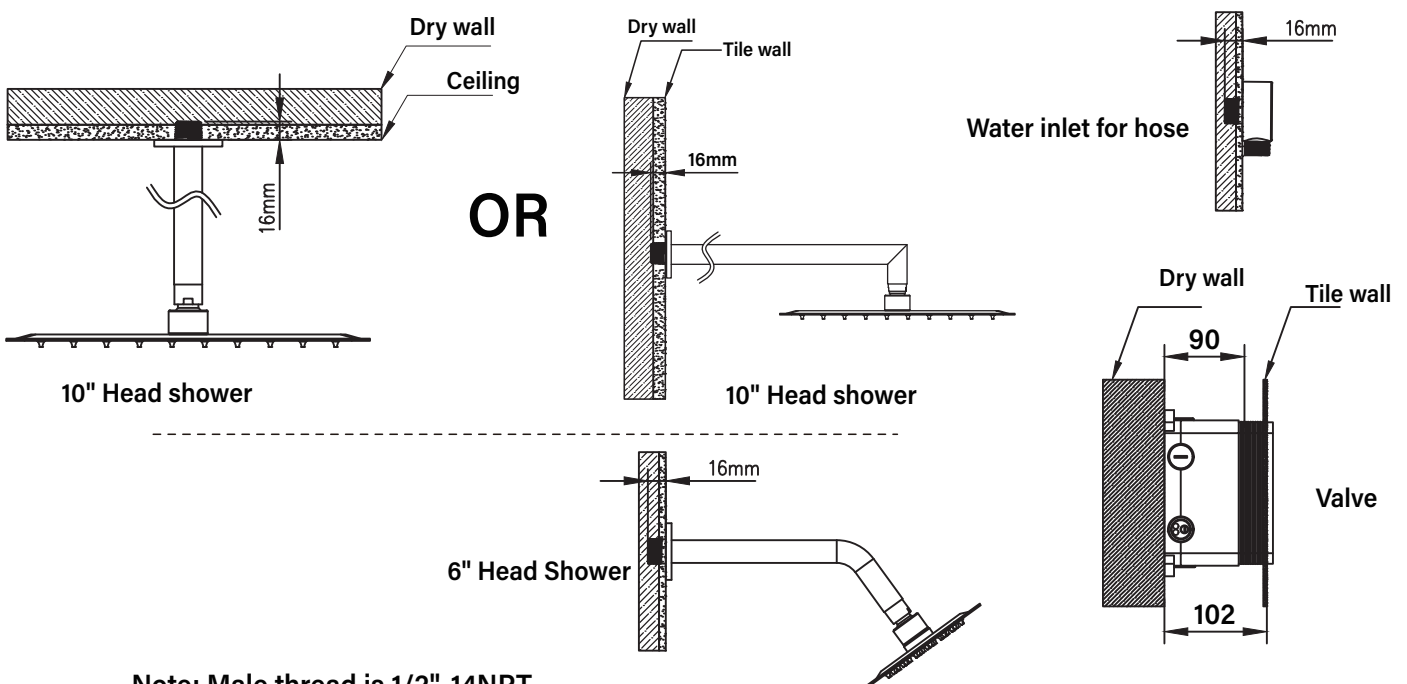
INSTALLATION FEATURE



THERMOSTATIC VALVE PIPING



CONCEALED MOUNTING DEPTH

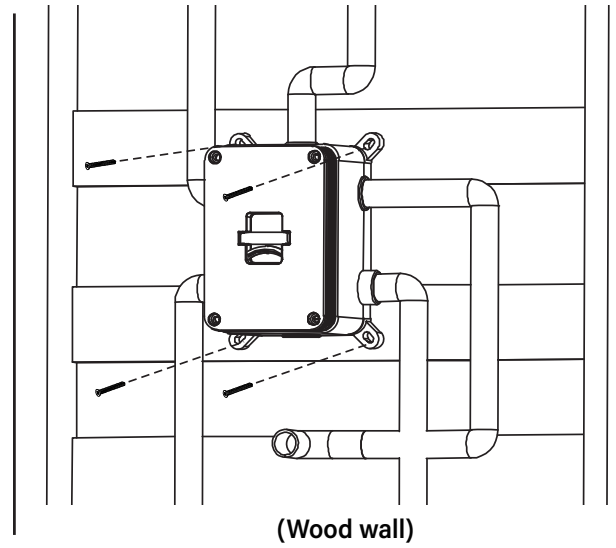
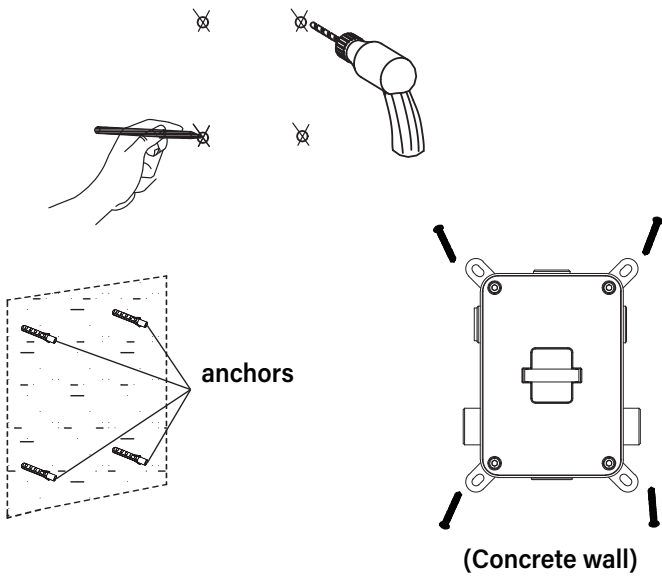


Note: Male thread is 1/2"-14NPT.

Installation depth for shower valve is between 90--102mm, including the thickness of the tile.

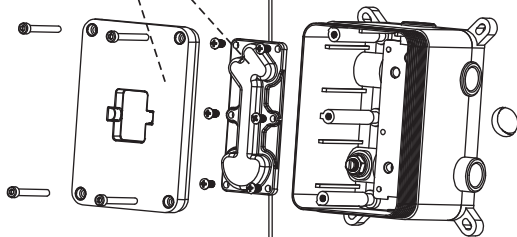
The shower valve opening size shall be smaller than the trim cover plate.

VALVE INSTALLATION

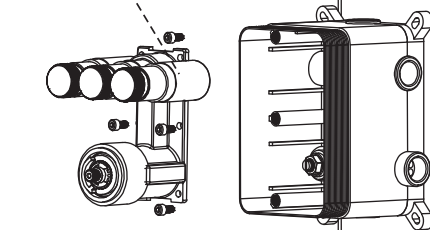


Note: Wood blocking should be installed between the two studs where the valve will mount. Be careful not to set the valve too far back into the wall. Use the sticker on the side of the valve for guidance.

Take off protective covers

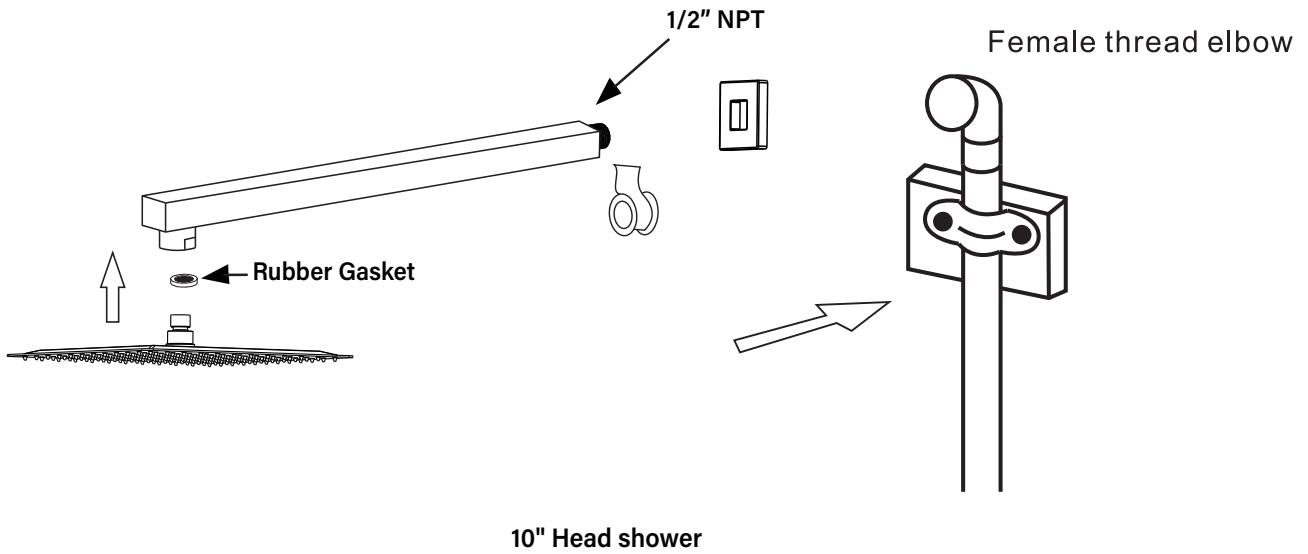


Insert valve body with screws

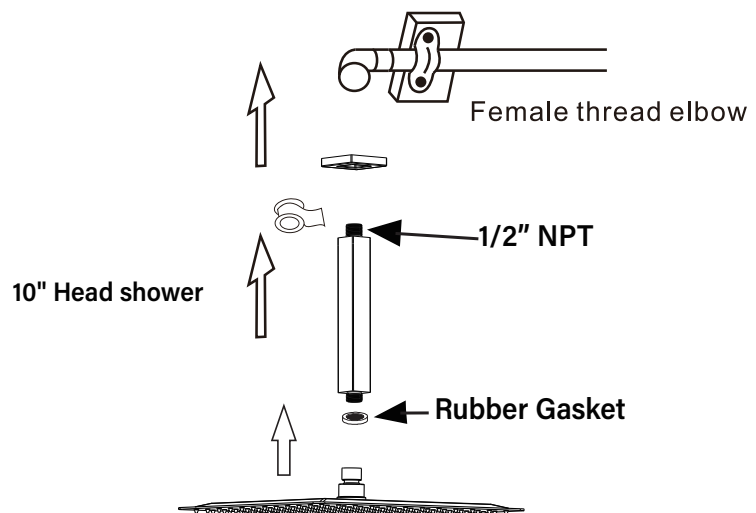
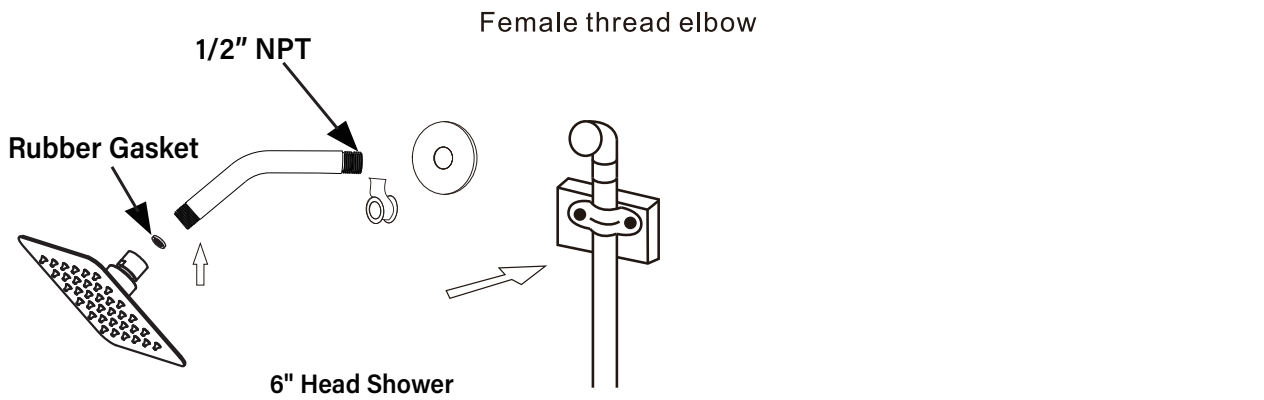


Note: 1. Prior to removing the plastic protective cover, perform a water test to ensure there are no leaks.
2. After confirming that there are no leaks during the water test, promptly remove the valve plastic protective cover.
3. Slowly and carefully insert the copper valve body into the designated area, ensuring it is properly secured and fitted.

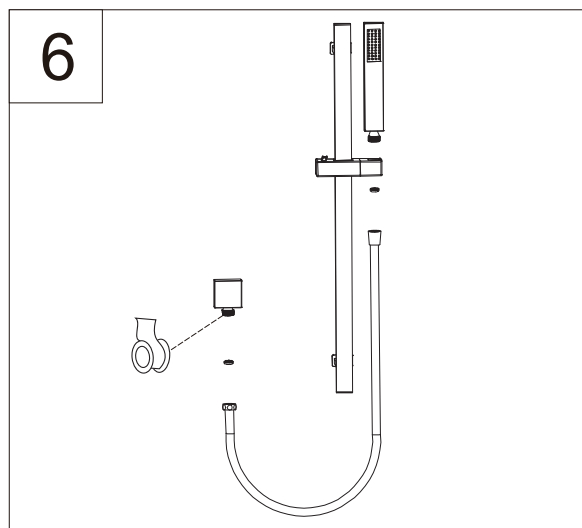
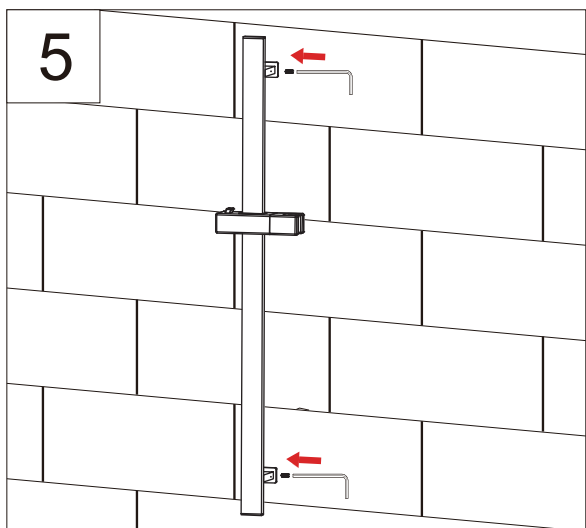
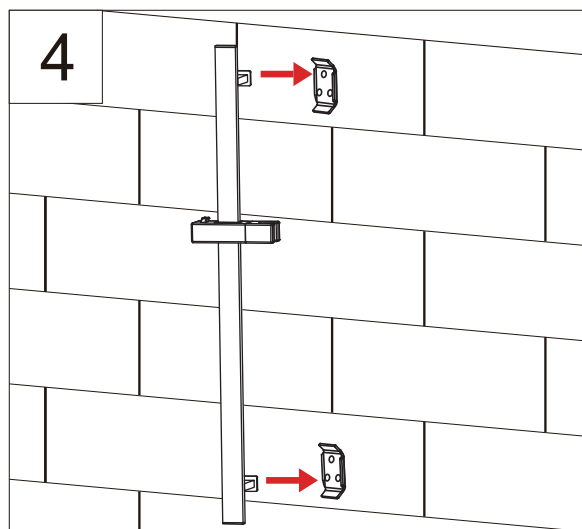
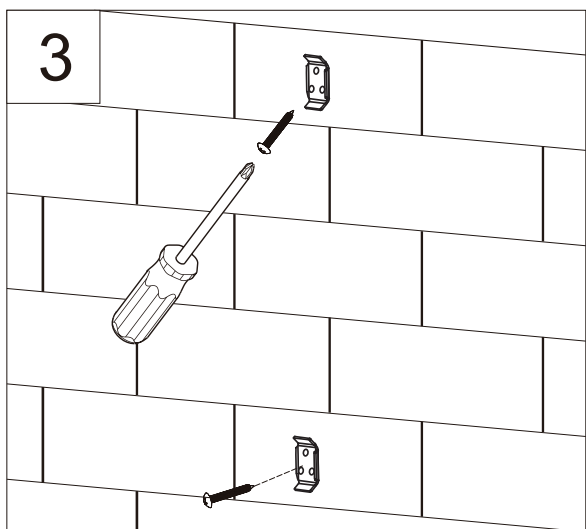
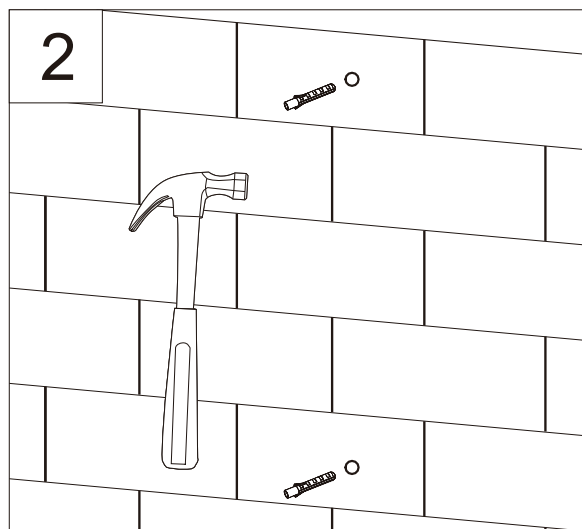
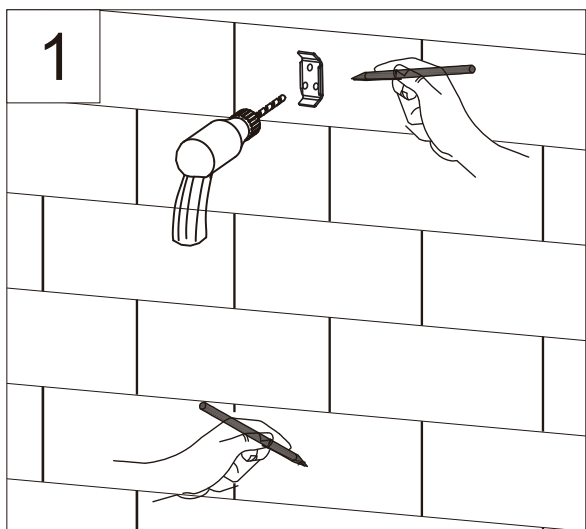
SHOWER HEAD INSTALLATION



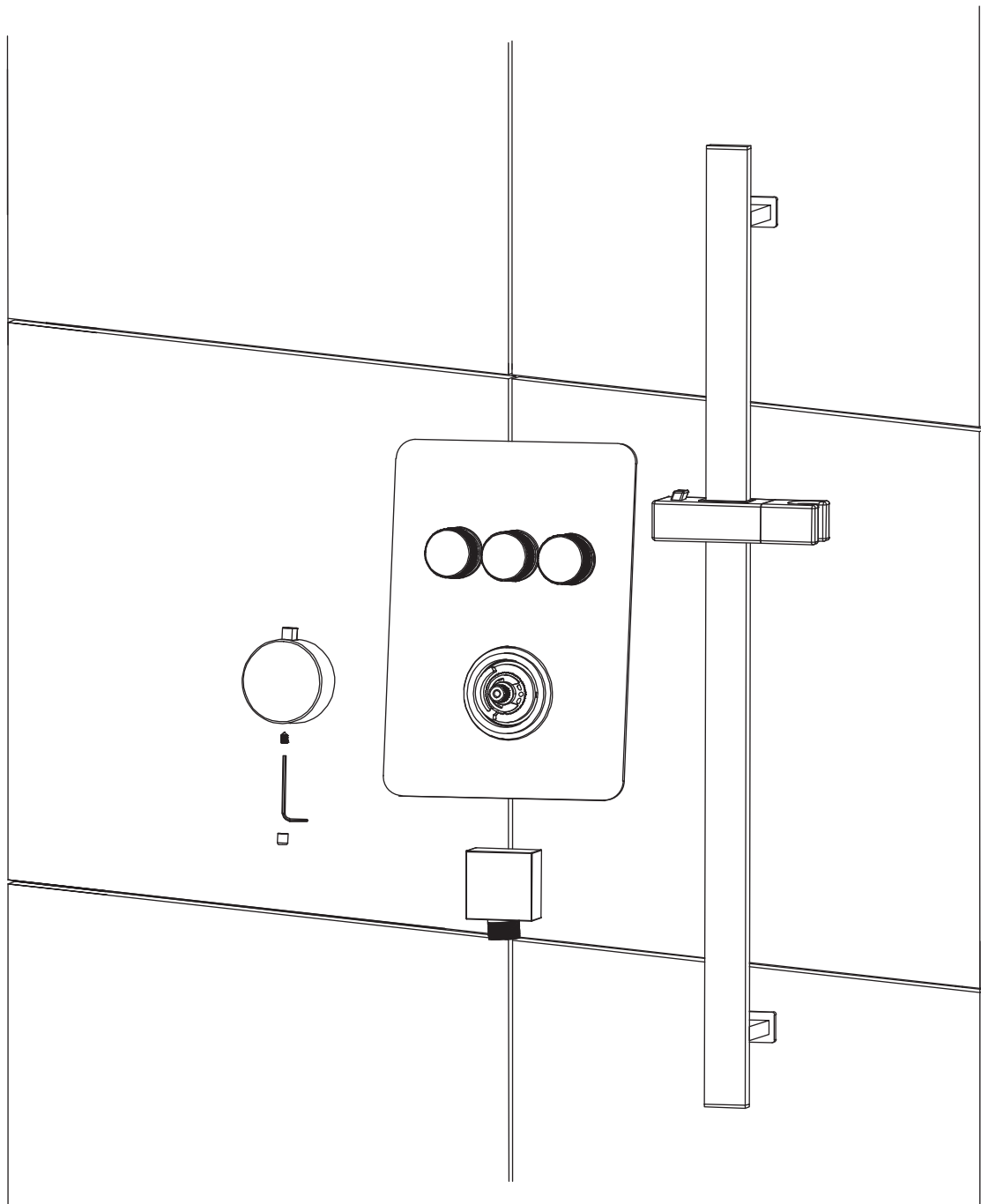
Note: Apply Teflon tape (plumbing tape) to the threads of the shower arm before screwing it into the wall to ensure a tight seal and prevent leaks.



SLIDING BAR INSTALLATION



DIVERTER KNOB INSTALLATION

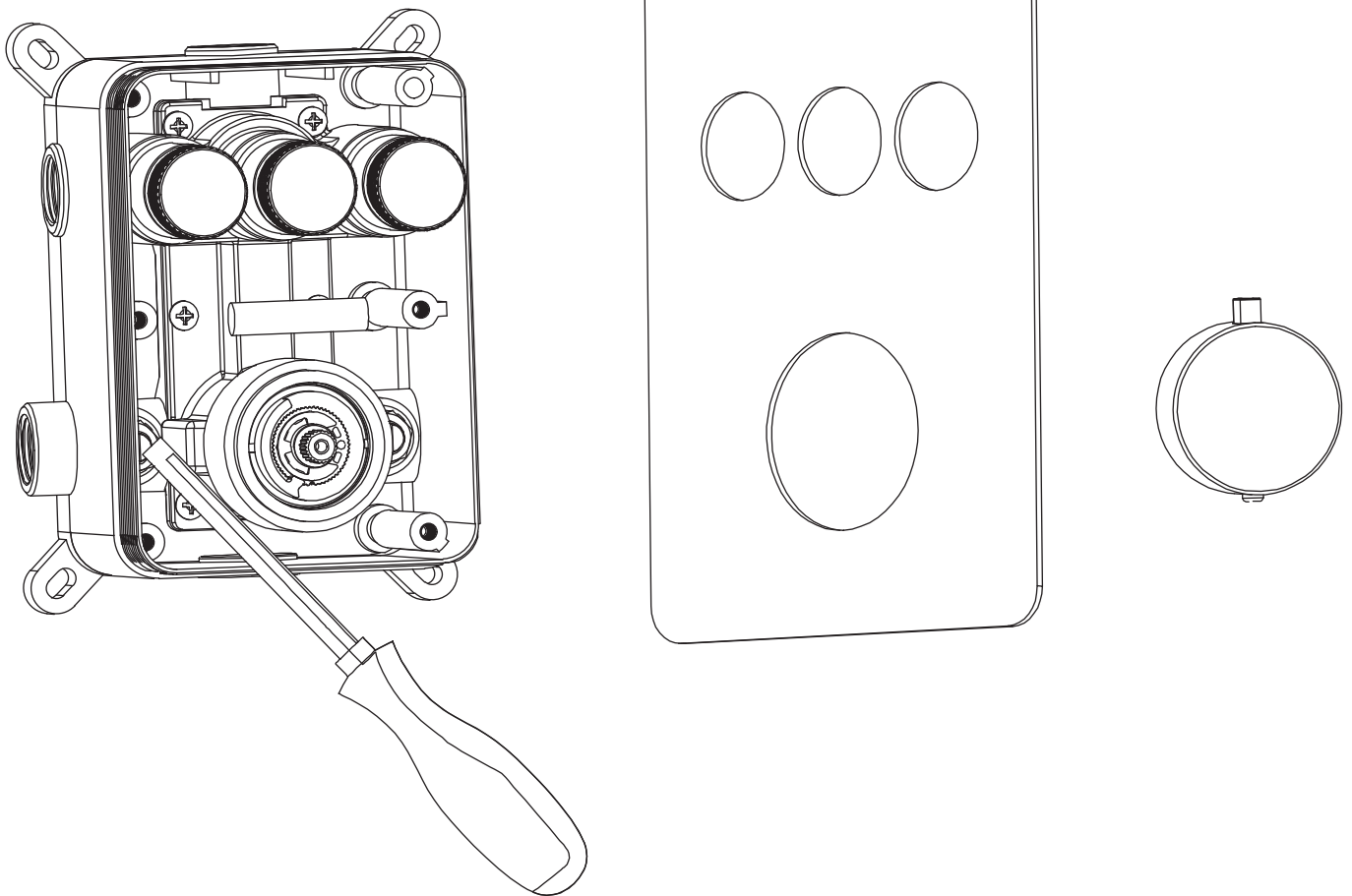


Note:



1. Take off protective cover on the valve, apply bead of quality sealant evenly along the back of metal plate.
2. Install the metal plate, diverter knobs and handle step by step.
3. Install the handle and knobs with screw and screw caps.

SHOWER VALVE MAINTENANCE



Note: There are two flow regulator on the vlave, to repair or maintain the valve faucet, first turn off the diverter knob. Then, remove the panel and turn the flow regulating valves until the water line is shut off.