











# Assembly Instructions

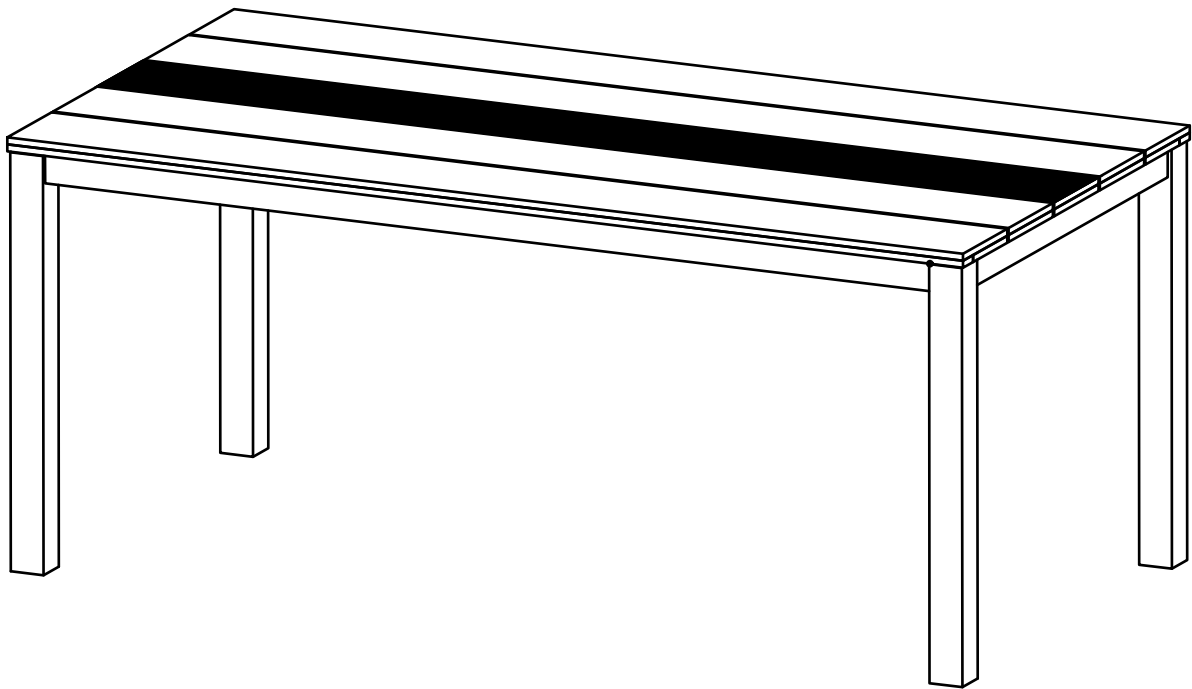
**Caution:** You must read this **assembly instructions** before you proceed.

## Care & Maintenance:

- ⊘  • Not for commercial use. For residential use only.
- ⊘  • Prolonged exposure to rain may cause rusting which can stain floors.
- ⊘  • DO NOT put hot items directly on furniture surface.
- ⊘  • DO NOT clean furniture with harsh cleansers or polish.
- ✓  • To obtain the longest lifespan of your outdoor products, minimizing exposure to direct sunlight is recommended.
- ⊘  • Children should not climb or jump on the furniture.
- ⊘  • DO NOT write on furniture without a padded barrier to protect the surface.
- ✓  • To obtain the longest lifespan of your outdoor products, avoid extended and lengthy exposure to rain, snow, and direct sunshine. Whenever possible cover the product and / or place under patio or awnings
- ⊘  • Stains may be removed with mild soap solution and damp cloth.
- ✓  • Dust and pick-up spill using a clean, non-colored, lint-free cloth.

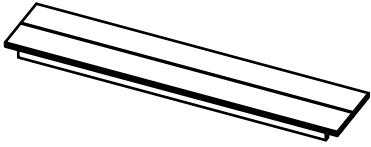

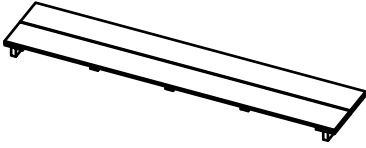



Please look underneath the **Table Top** for all hardware.

# TABLE





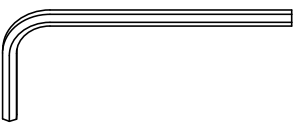



**Caution:** This Table is NOT a TOY.  
Keep your child/children at bay during the assembly process.  
Whenever moving/lifting the Table and to prevent damage to the Table, two adult partners may be needed to execute these actions.

## Part List:

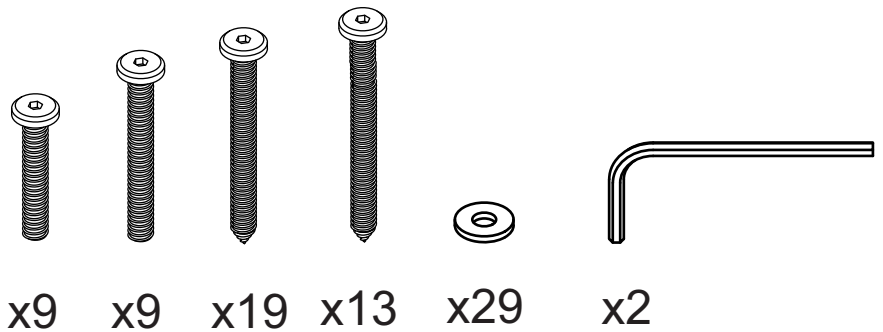
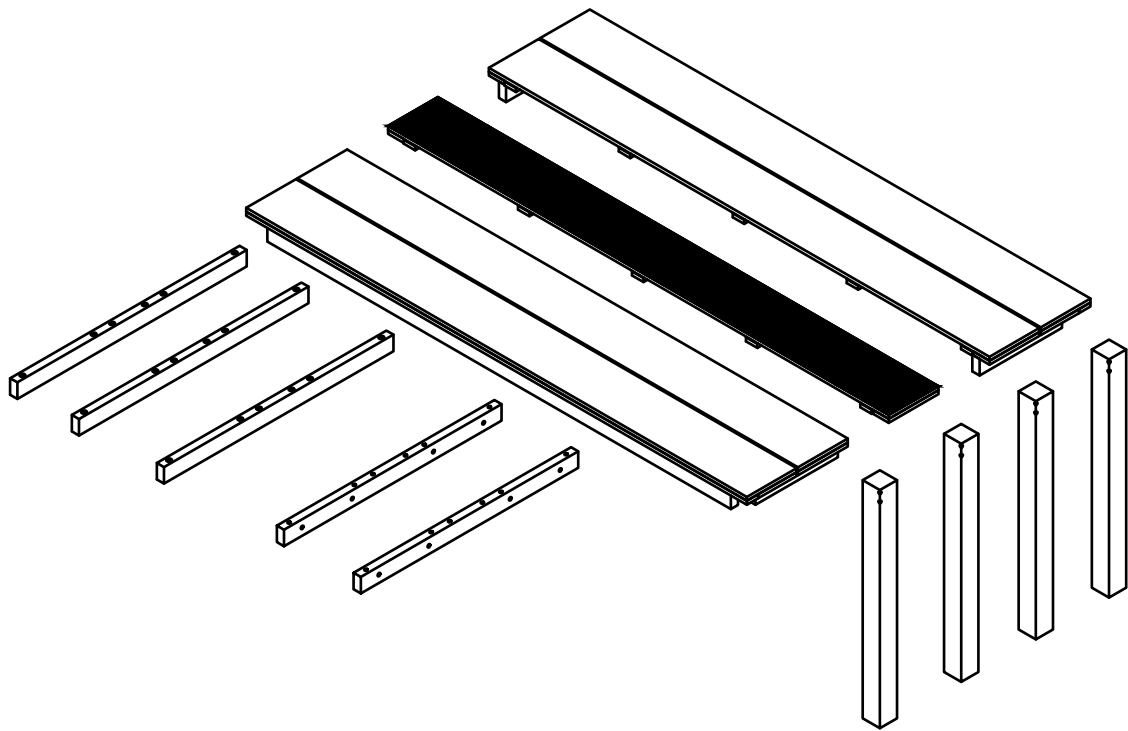
Label	Picture	Description	QTY
A		Left Table Top	1
B		Center Table Top	1
C		Right Table Top	1
D		Side Support Bar	2
E		Center Support Bar	3
F		Leg	4

## Hardware:

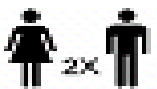
Label	Picture	Description	QTY
①		Bolt (M6x40mm)	9
②		Bolt (M6x55mm)	9
③		Screw (M6x65mm)	19
④		Washer (M6.5/16x2mm)	29
⑤		Allen Wrench	2
⑥		Screw (M6x70mm)	13

# Assembly Preparation :

Before Beginning Assembly:



Read instructions, cover to cover-



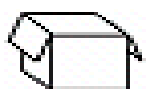
Have 2 adult partners in the assembly-



Do not assemble on flooring or carpet-



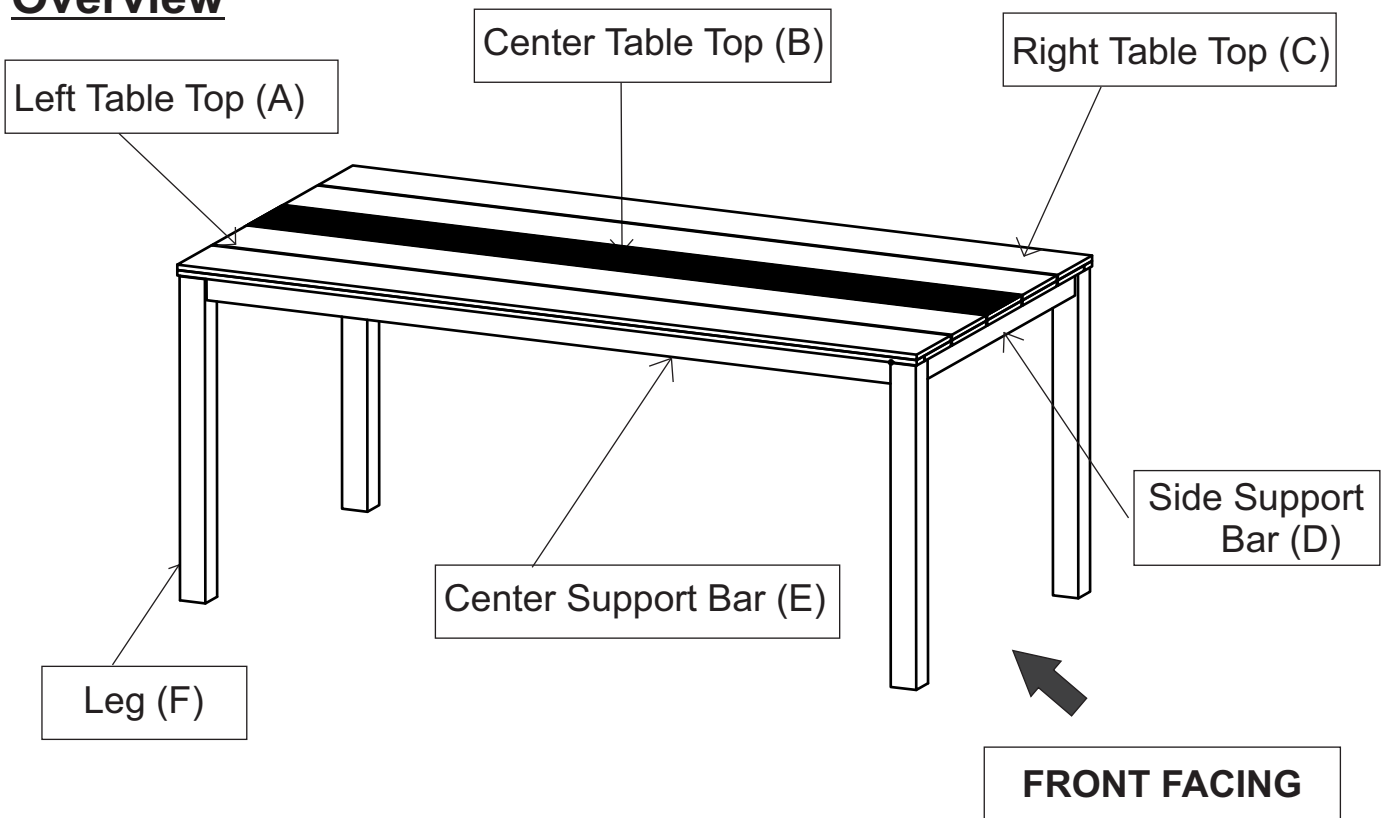
Assemble on a clean non-marring surface ( packing foam)-



Save all packaging until completion of assembly-

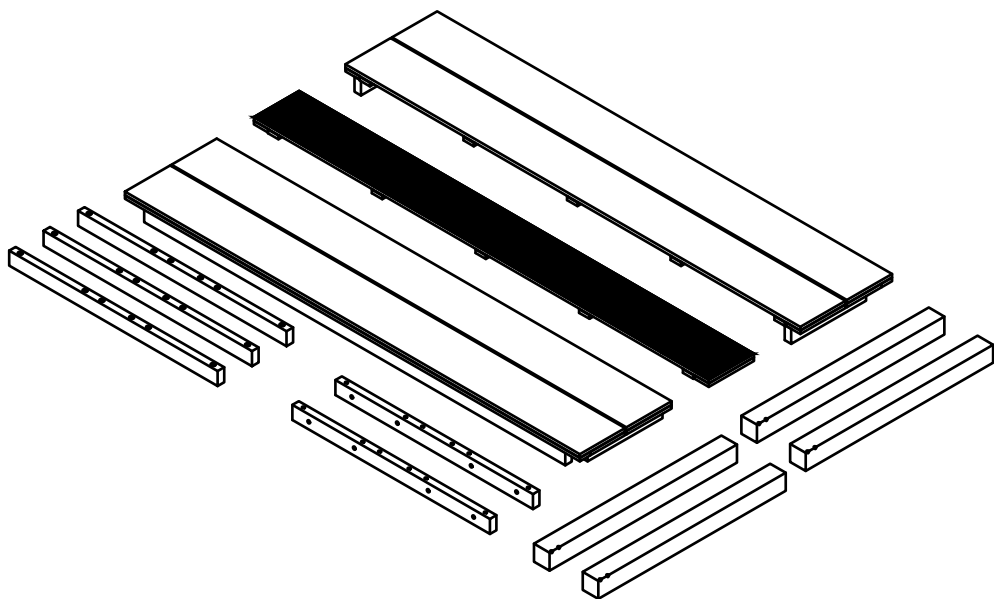
# Assembly Steps:

## Overview



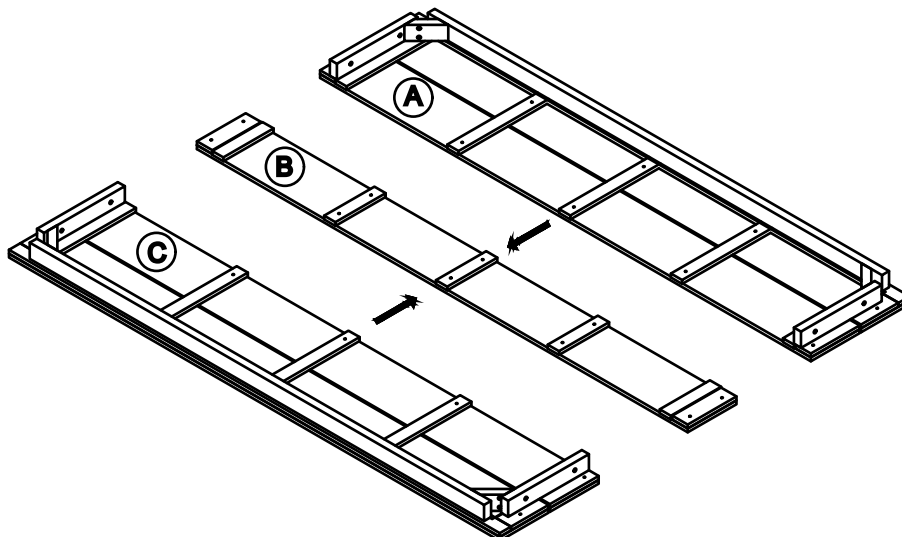
This Table has multiple parts and may require up to 30 minutes to assemble. To give you an overview of the Table parts, the above picture is to help you put the various parts into perspective. Please read through the instructions below to familiarise yourself with the parts and steps before assembly.

## Step 1



Unpack and place all parts on a clean, non-marring surface.

## Step 2

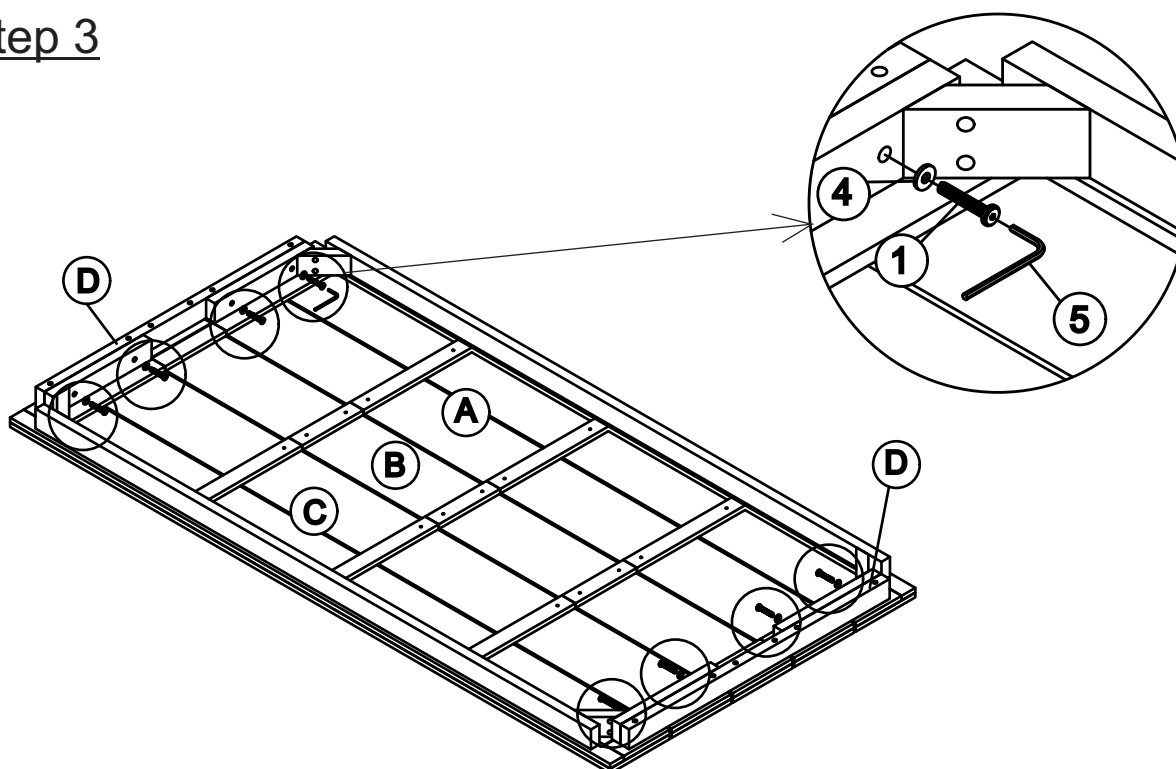


With assistance from your adult partners, turn the Left Table Top (A), Center Table Top (B), and Right Table Top (C) (bottom-side up) and place on a clean, non-marring surface to avoid any scratches or damage to the product.

Make sure the Left Table Top (A) and the Right Table Top (C) are aligned with the Center Table Top (B) as picture shown above.

**Attention: Labels (A), (B), (C) stuck on these parts are supposed to be on the same side once assembly as picture shown above.**

## Step 3

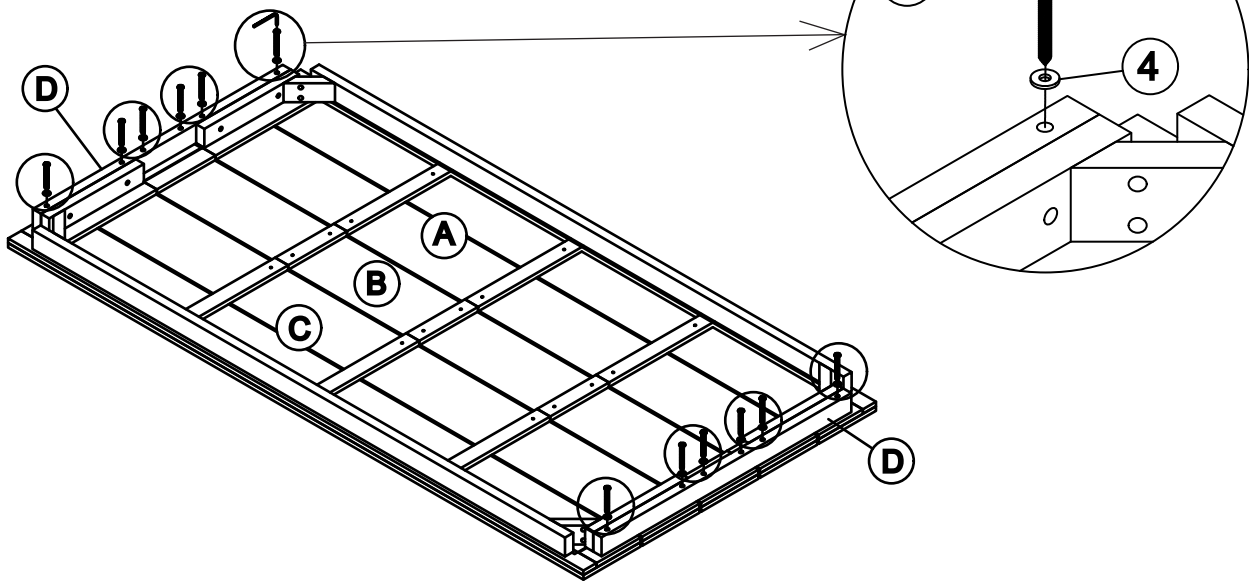


Attach the Side Support Bar (D) into the shorter side of the Table Top using Bolts (1), Washer (4) and Allen Wrench (5) as shown in the picture above.

Repeat the same process with the remaining Side Support Bar (D)

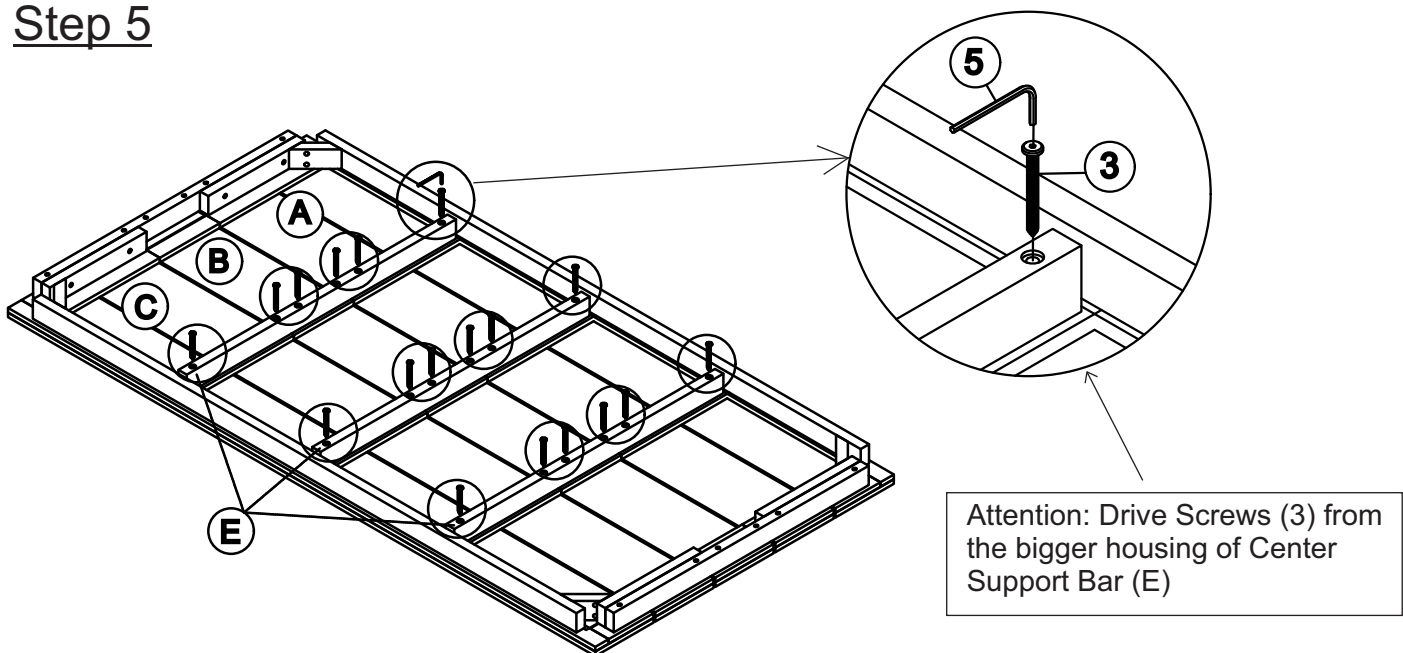
**DO NOT fully tighten the Bolts.**

## Step 4



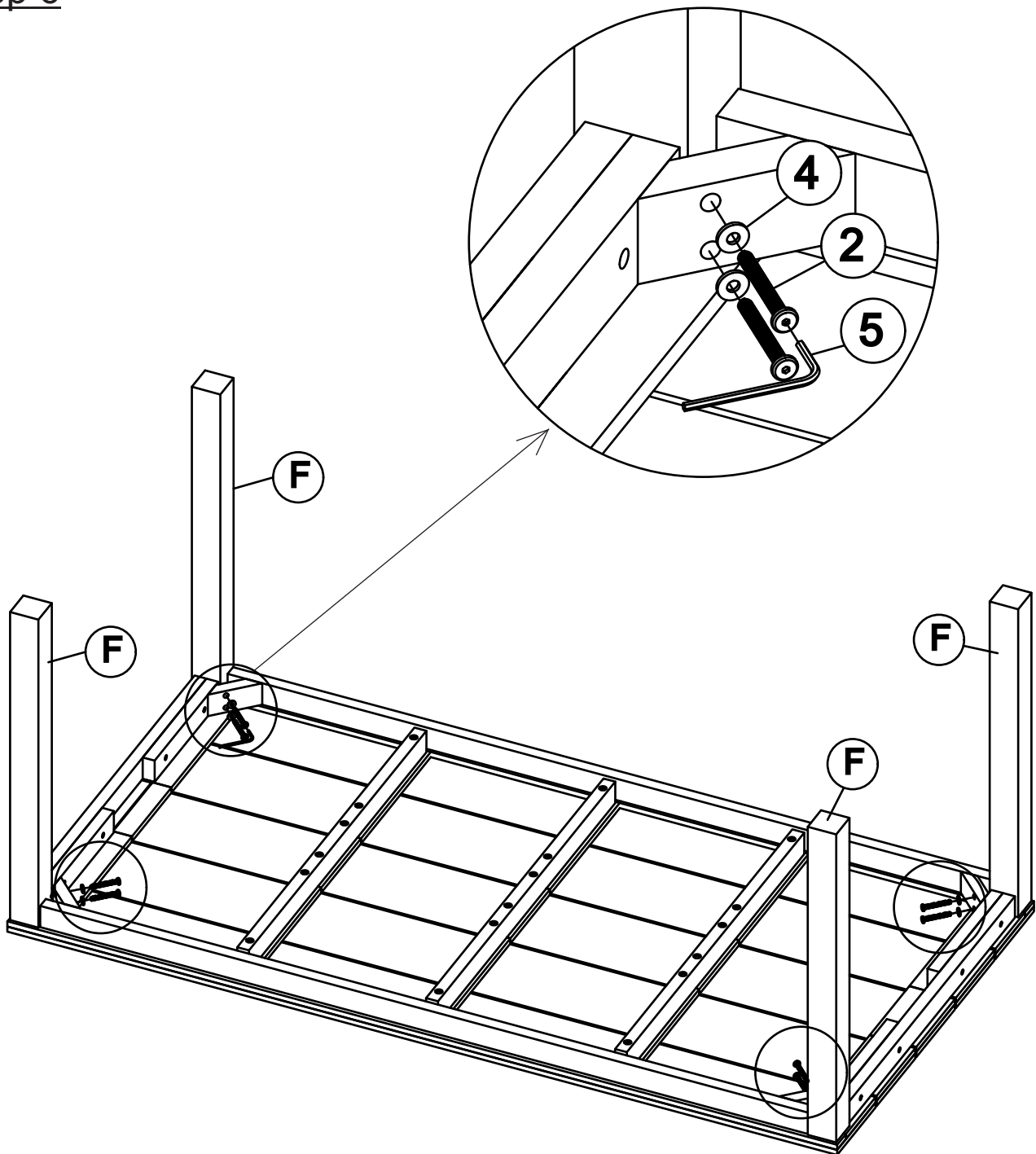
Secure a Side Support Bar (D) to the apron of the Table Top using Screws (6), Washers (4) and the Allen Wrench (5) as shown in the picture above. Repeat the same process with the remaining Support Bar (D)  
**DO NOT fully tighten the Screws.**

## Step 5



Attach the Center Support Bar (E) into the Table Top using Screws (3) and the Allen Wrench (5)  
Repeat the same process with the remaining Center Support Bars (E)  
**DO NOT fully tighten the Screws.**

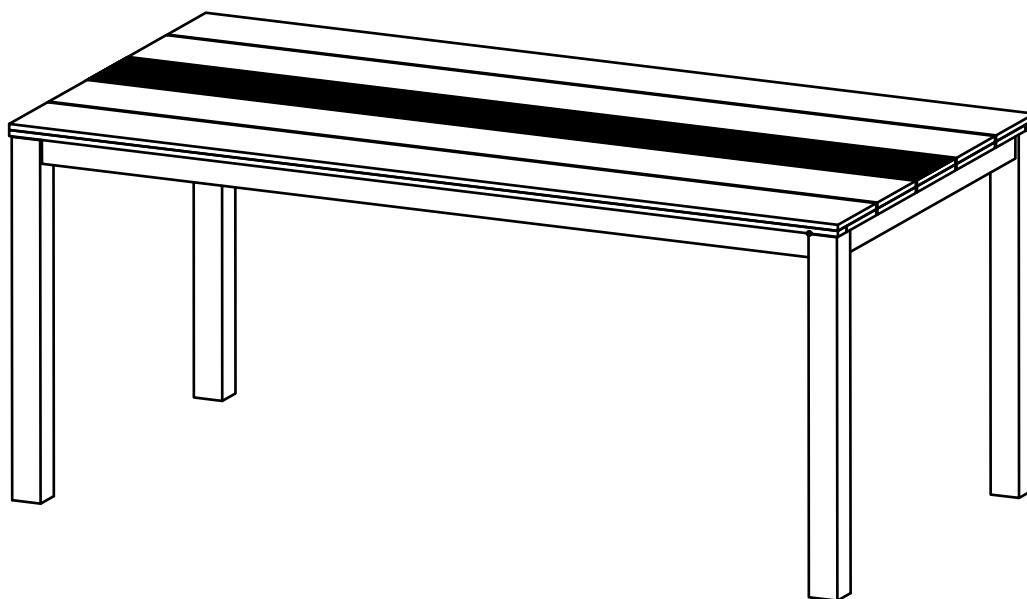
## Step 6



Attach the Leg (F) in to the Table Top using Bolts (2), Washers (4), and the Allen Wrench (5)

Repeat the same process with the remaining Legs (F)  
**DO NOT fully tighten the Bolts.**

## Step 7



With assistance from your adult partners, turn the Table right side up. EXERT pressure, floorwards onto the Table with both hands. This pressure will help the Legs and Table Top reach alignment at all joints. Check for wobbles.

In a sequential manner, gradually tighten all Bolts until evenly secured. Inspect the Table and make sure all parts are adequately connected. Your Table is ready for use.

This Table can only be used on a flat, level surface.