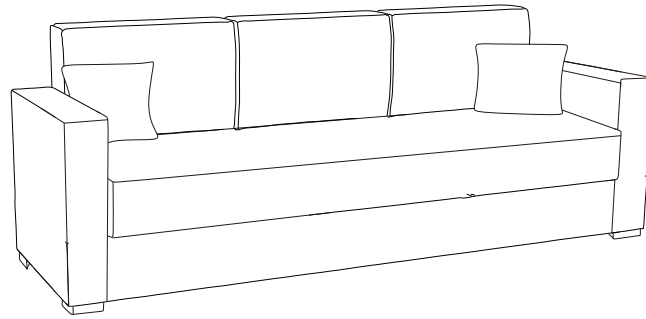


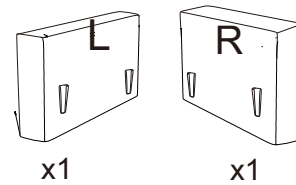
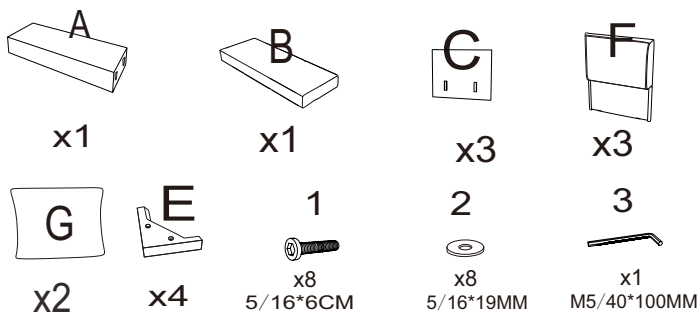
ASSEMBLY INSTRUCTION



PARTS LIST

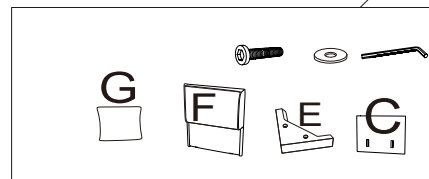
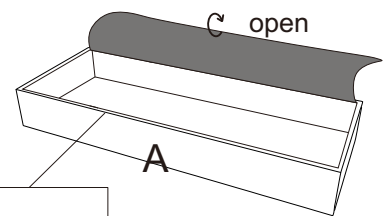
BOX-1

BOX-2



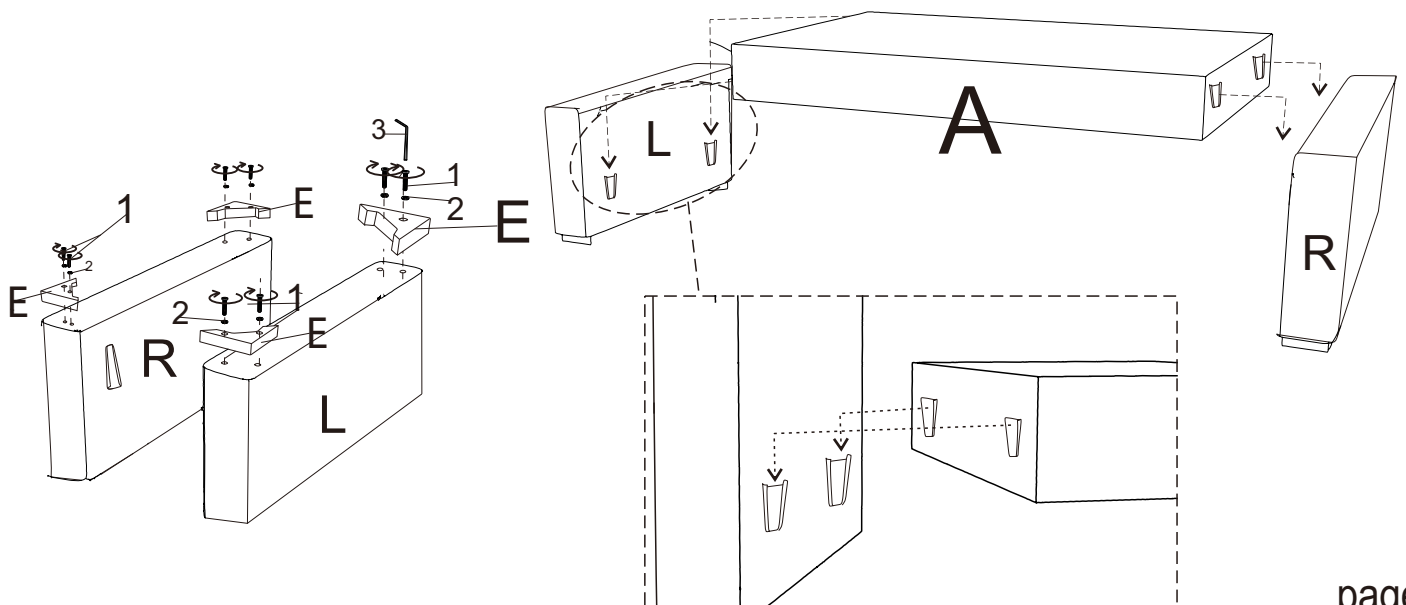
Please open the black woven fabric with Velcro closure on the bottom of the frame then cut off the black straps before removing the parts for assembly.

Please allow at least 24 hours for the cushions to recover to its natural state after removing from the package.

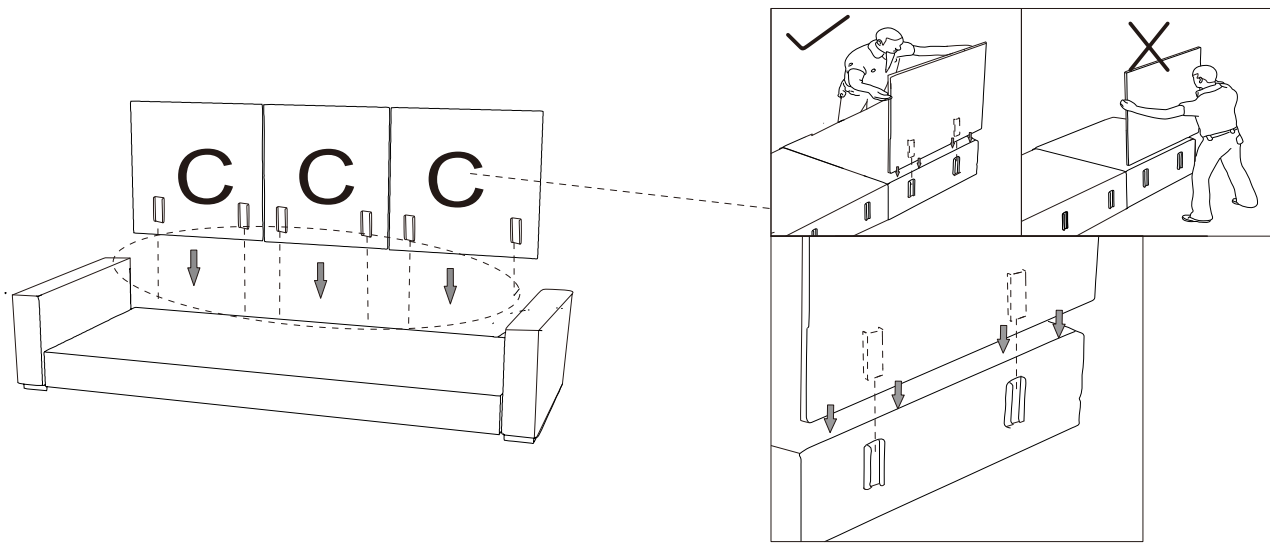


ASSEMBLY INSTRUCTION

Step1



Step2



Step3

Please kindly remove the black cover tape from the velcro before you place the cushion on top.

