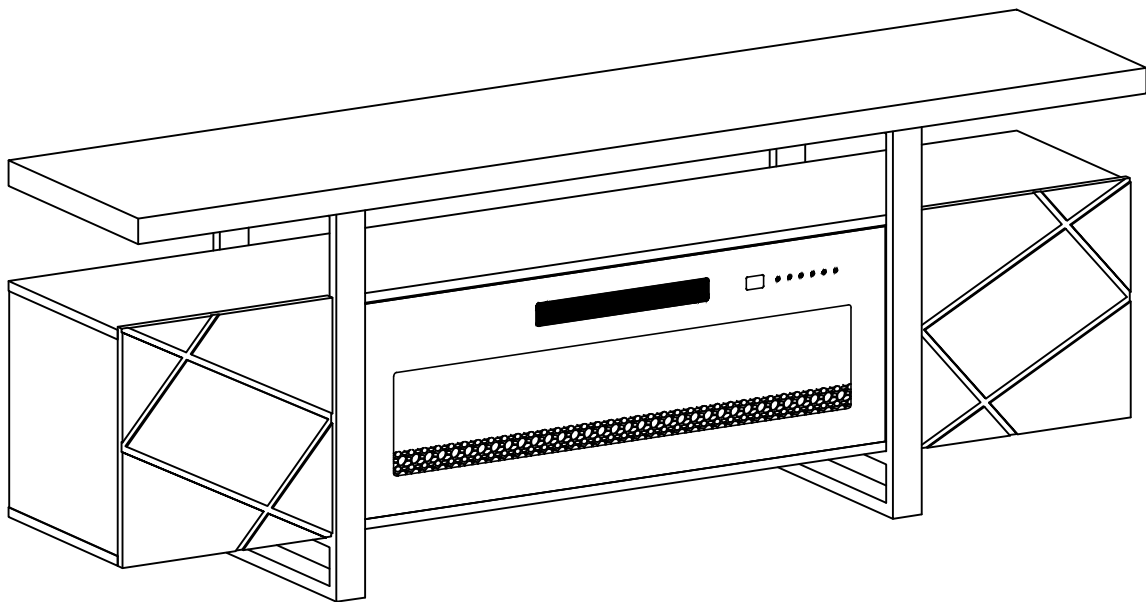


# User Manual

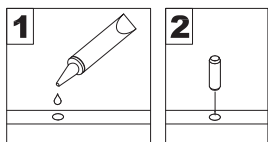
## TV Stand



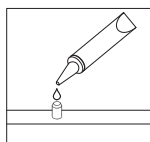
ASSEMBLY INSTRUCTIONS

# General Assembly Guidelines

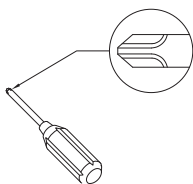
- I .Please ensure that all parts and hardware are available before assembly.
- II . Follow each step carefully to ensure the proper assembly of this product.
- III. For ease of assembly, two people are recommended to assemble this product.
- IV. The three main types of hardware are: wood dowels , screws and bolts.
- V. The glue is to secure wood dowels in place. When first inserting dowels, locate the appropriate hole for the dowel, and place a small amount of glue in the hole then insert the dowel. Please remember wipe away the excess glue immediately.



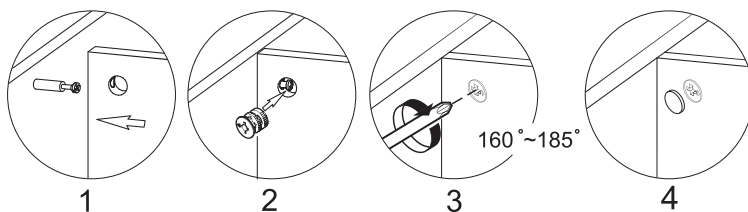
The dowels are necessary to attach assembly parts together in the following steps. Place a small amount of glue on the end of the dowel before attaching parts together. Please remember wipe away the excess glue immediately.



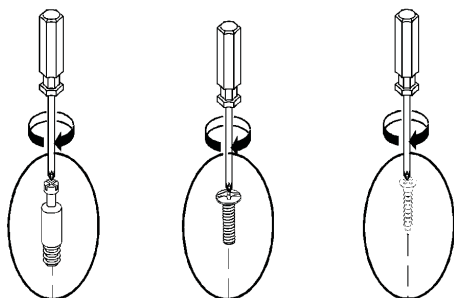
- VI. A Phillips head screwdriver is required for the assembly of this product.



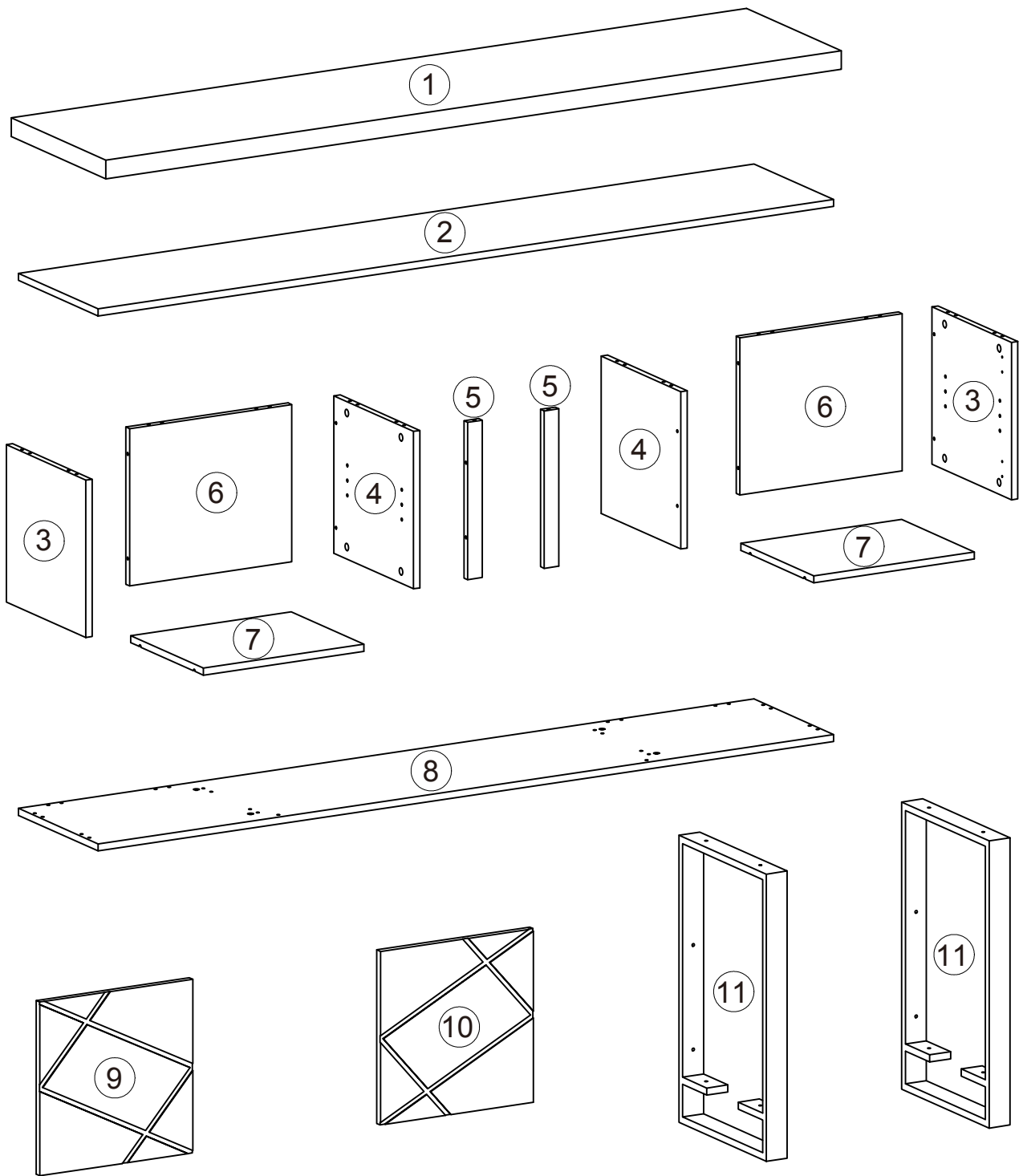
- VII.Steps for assembly of three-in-one screws.



- VIII.Screw fixation diagram for all fittings.



# Parts List



① x 1

④ x 2

⑦ x 2

⑩ x 1

② x 1

⑤ x 2

⑧ x 1

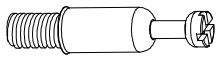
⑪ x 2

③ x 2

⑥ x 2

⑨ x 1

# Hardware List



Ø6x32mm

A x 40+3PCS



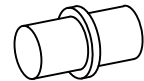
Ø15x10mm

B x 40+3PCS



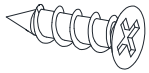
Ø8x30mm

C x 24+2PCS



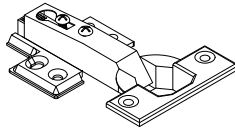
Ø6x15mm

D x 8+1PCS

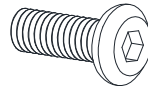


Ø3.5x14mm

E x 52+3PCS



F x 4PCS

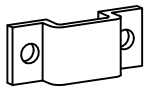


M6x25mm

G x 12+1PCS



H x 1PC

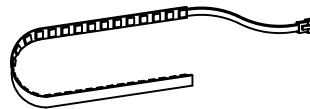


J x 10+1PCS

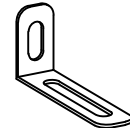


Ø21x1mm

K x 40+3PCS

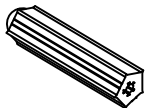


L x 2PCS



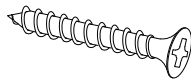
52x12x1mm

M x 2PCS



Ø6x30mm

N x 2PCS



Ø3.5x30mm

P x 2PCS

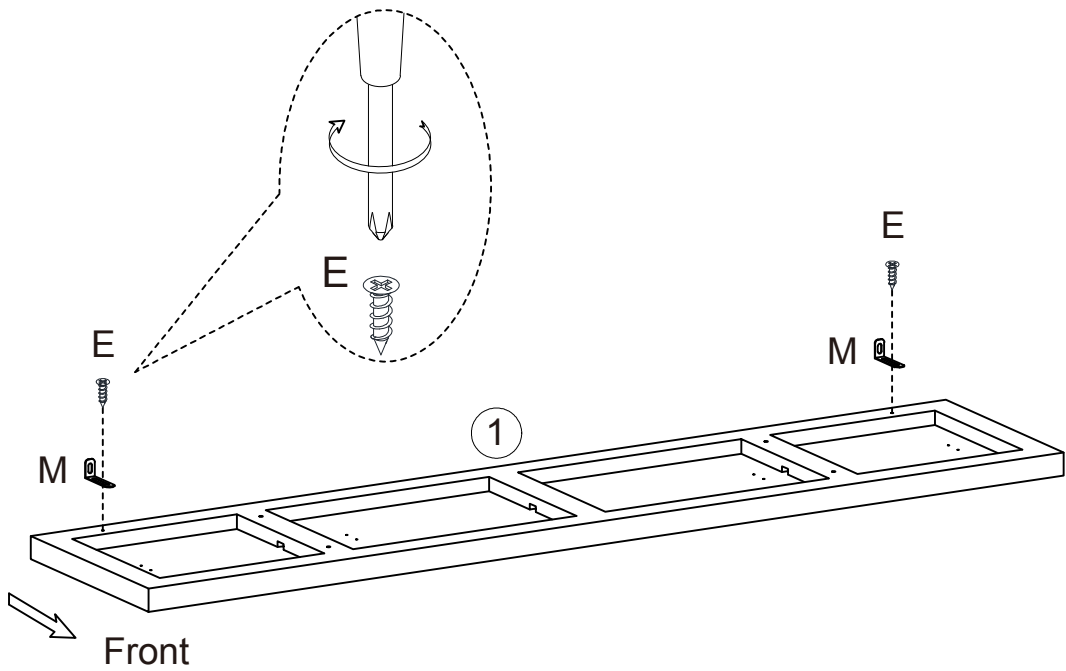
# STEP#1



E x 2



M x 2



# STEP#2



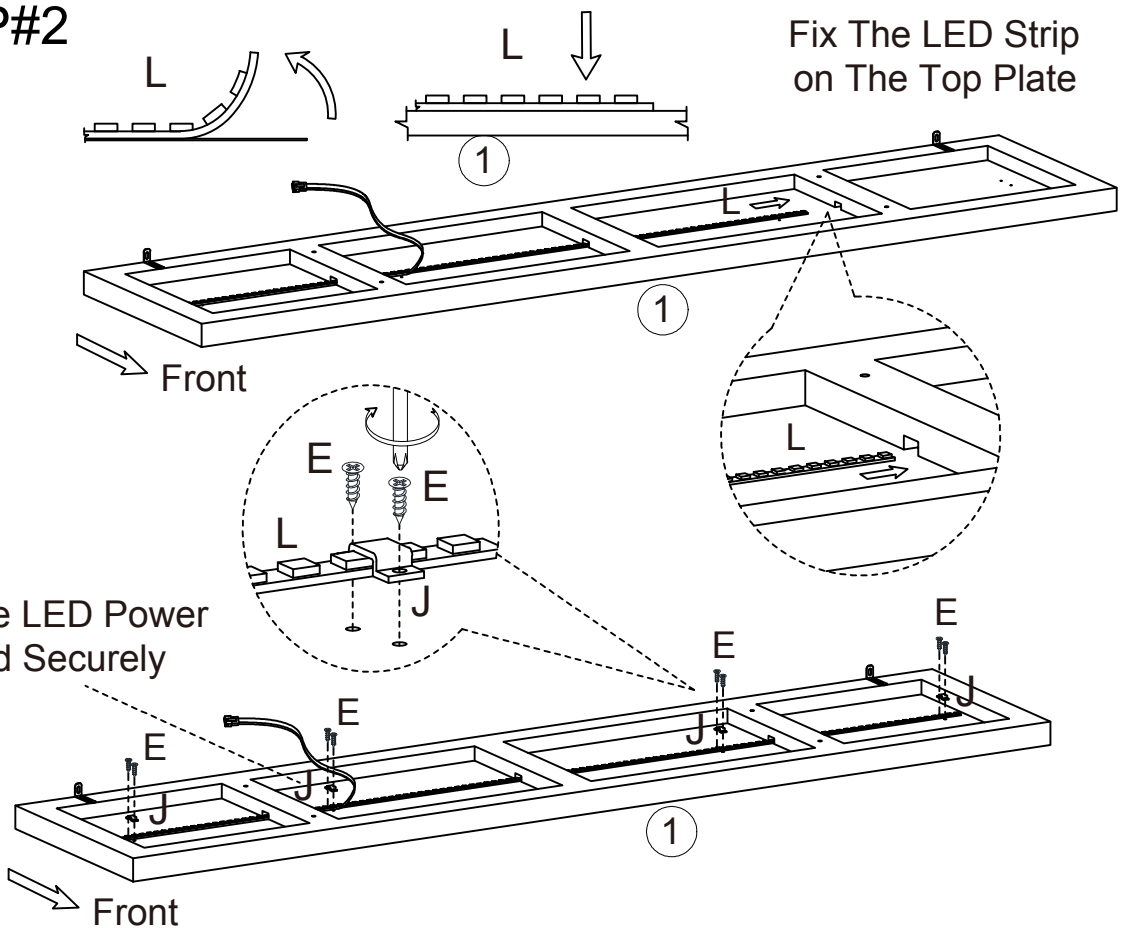
E x 8



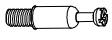
J x 4



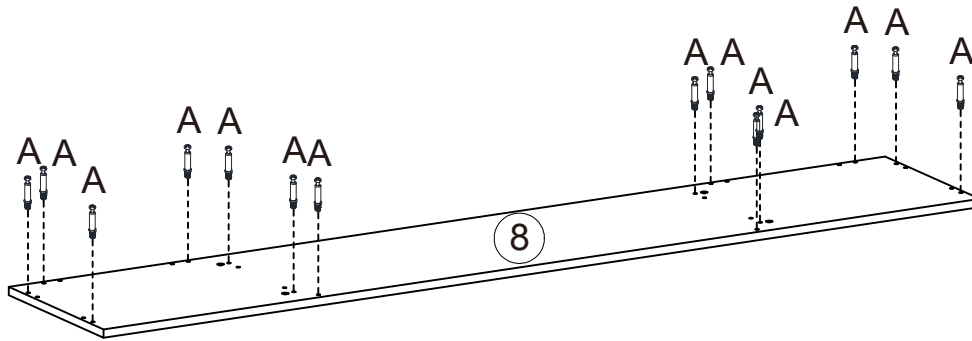
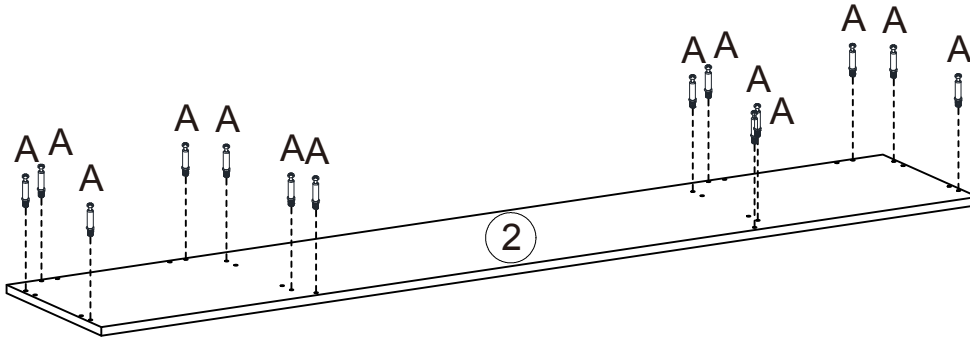
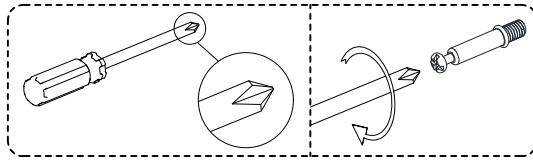
L x 1



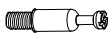
### STEP#3



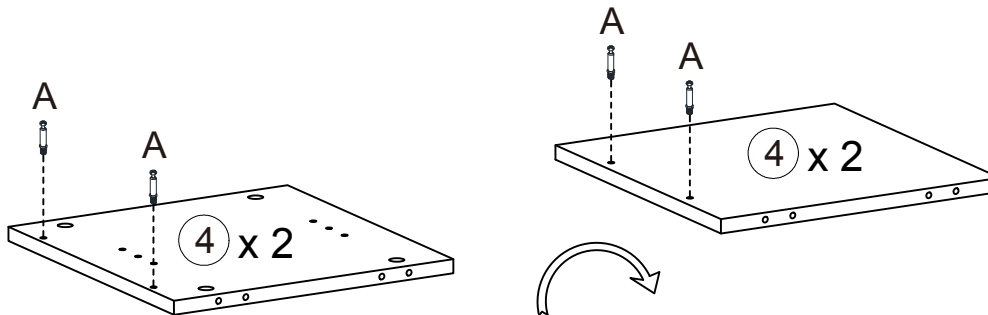
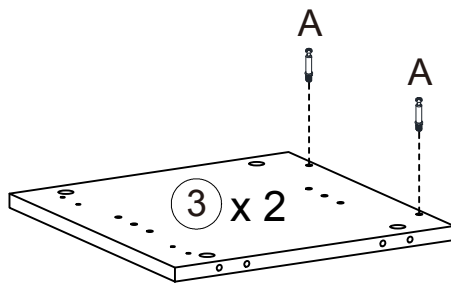
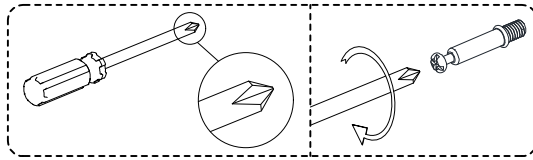
A x 28



### STEP#4



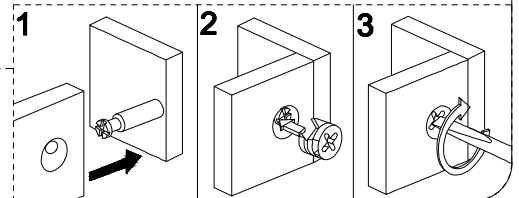
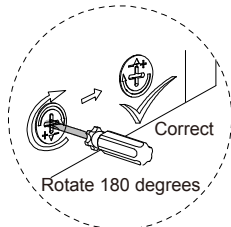
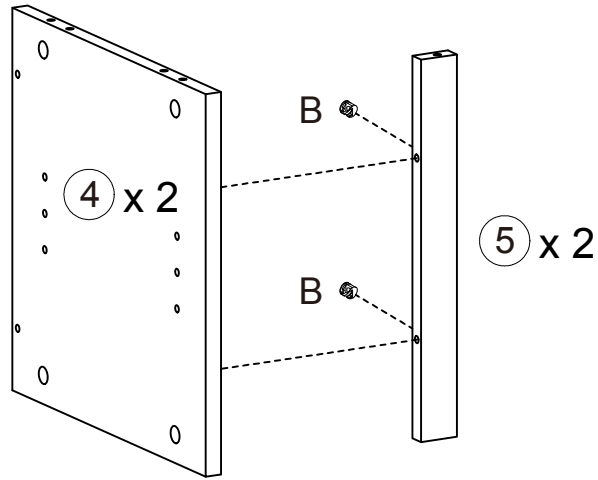
A x 12



# STEP#5



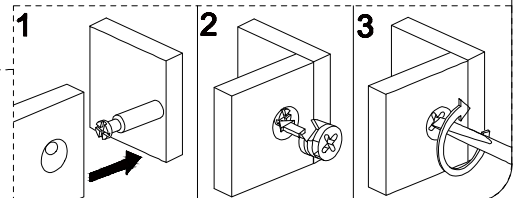
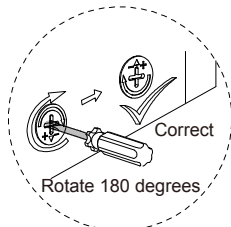
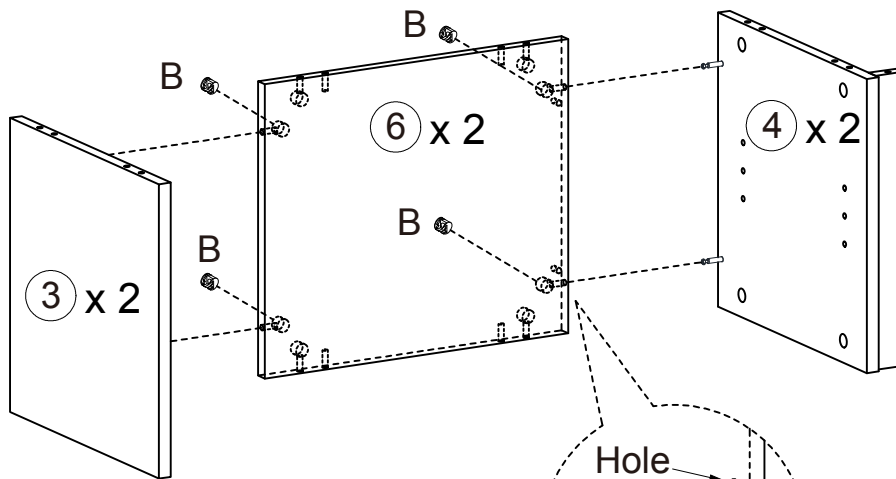
B x 4



# STEP#6



B x 8



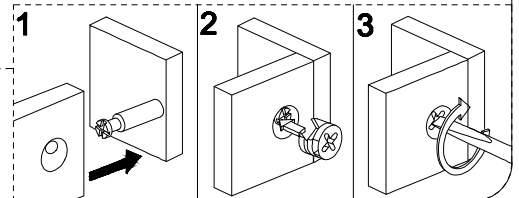
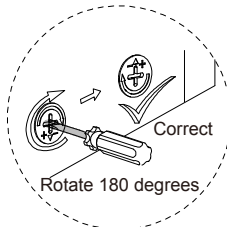
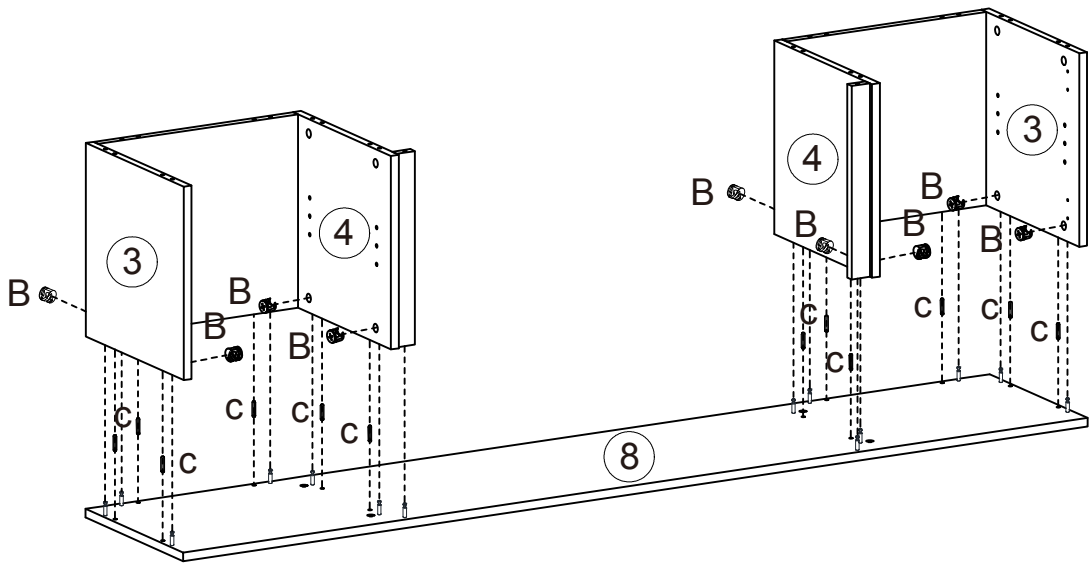
# STEP#7



B x 14



C x 12



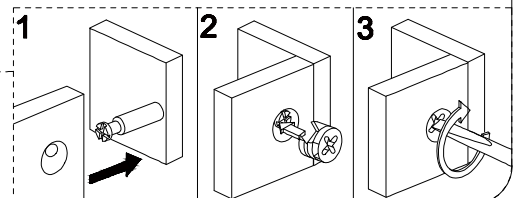
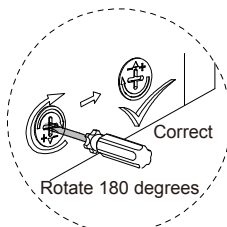
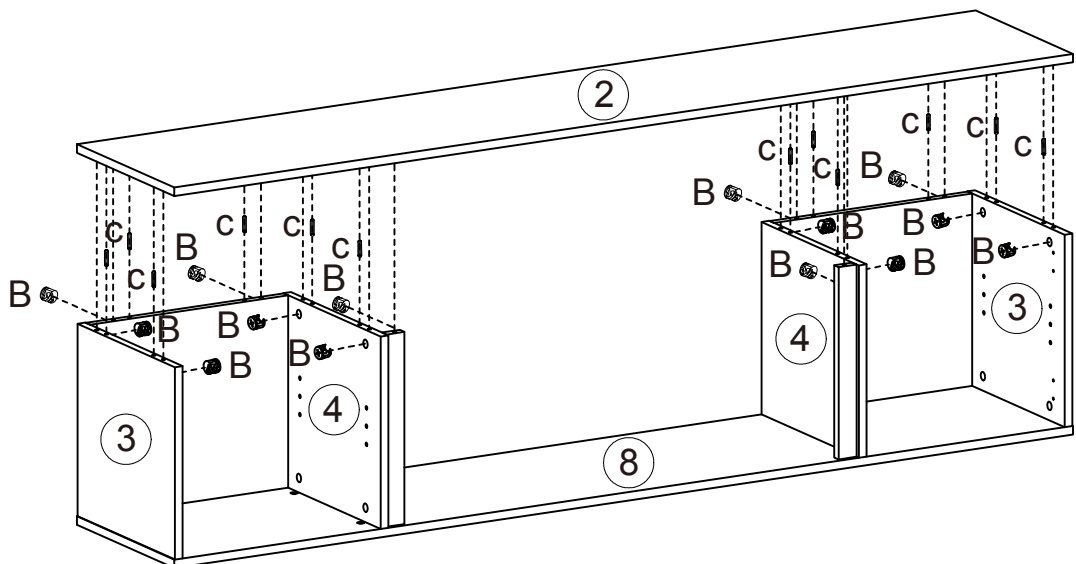
# STEP#8



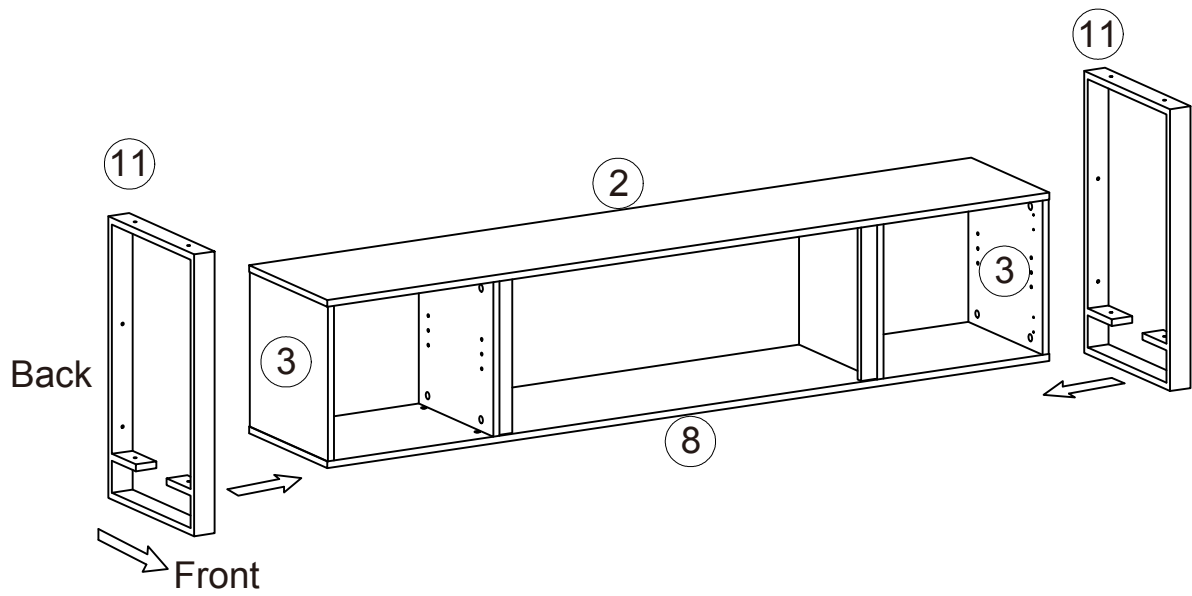
B x 14



C x 12



# STEP#9



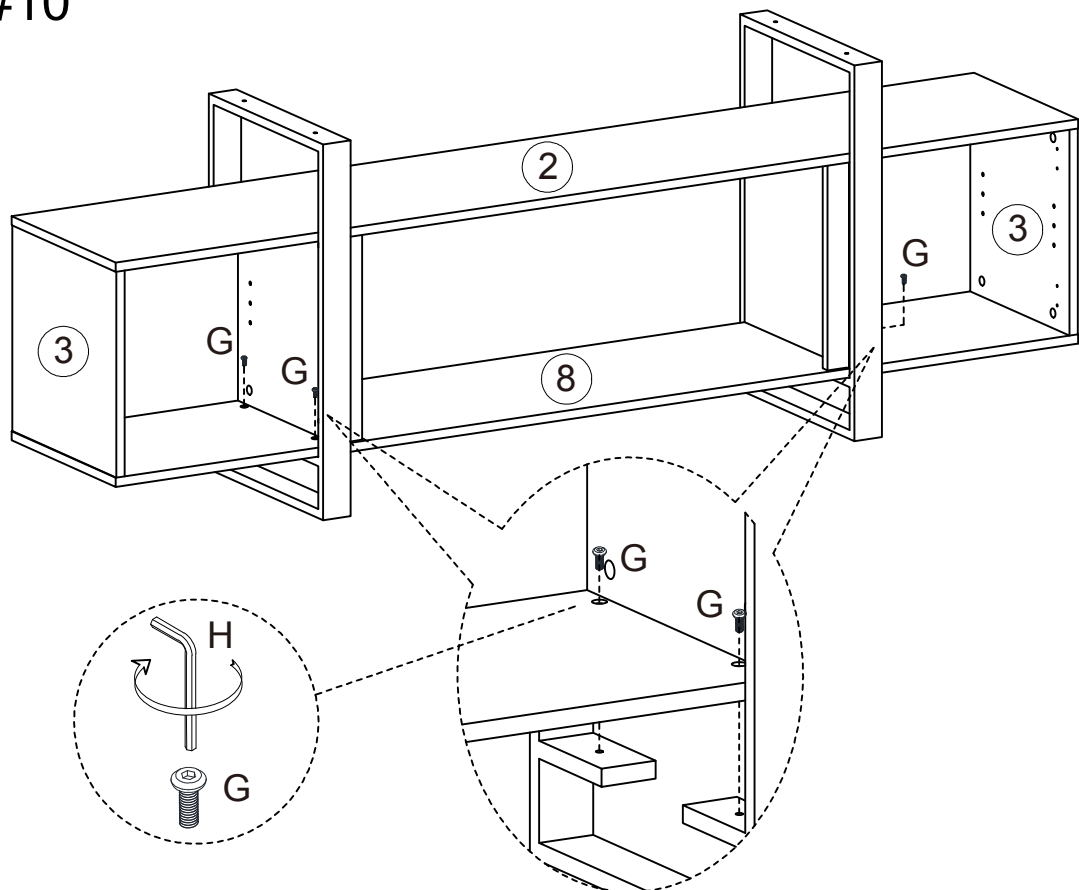
# STEP#10



G x 4



H x 1



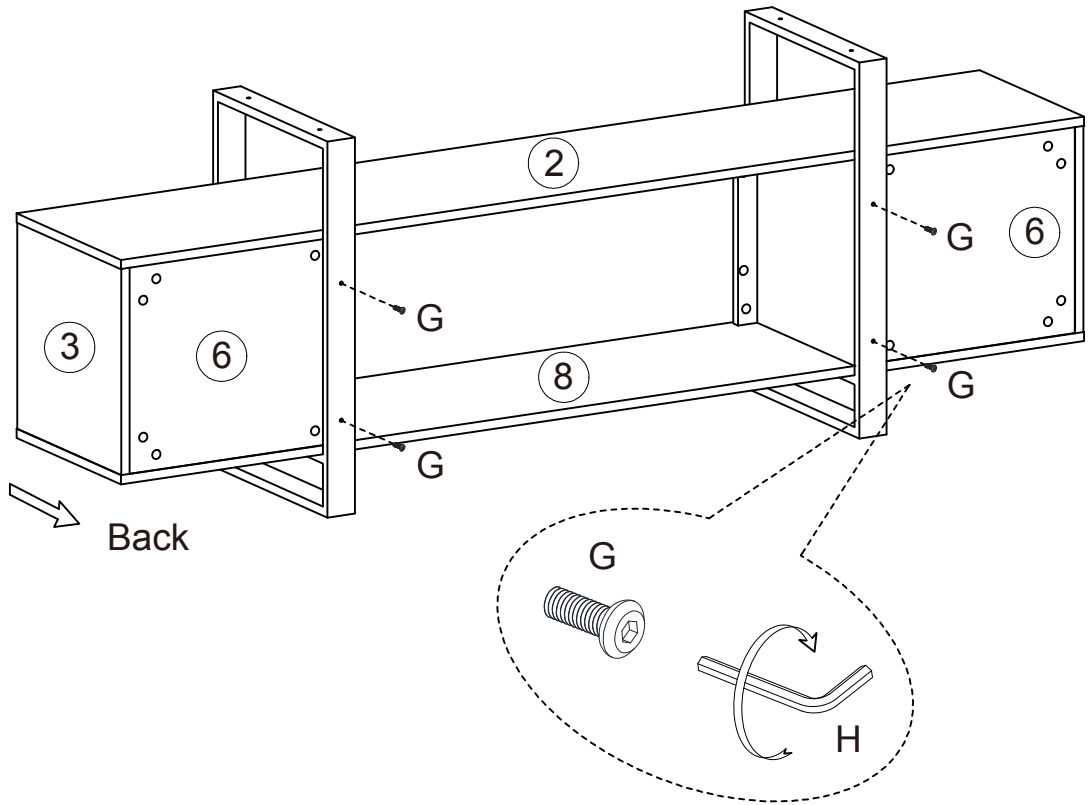
# STEP#11



G x 4



H x 1



Back

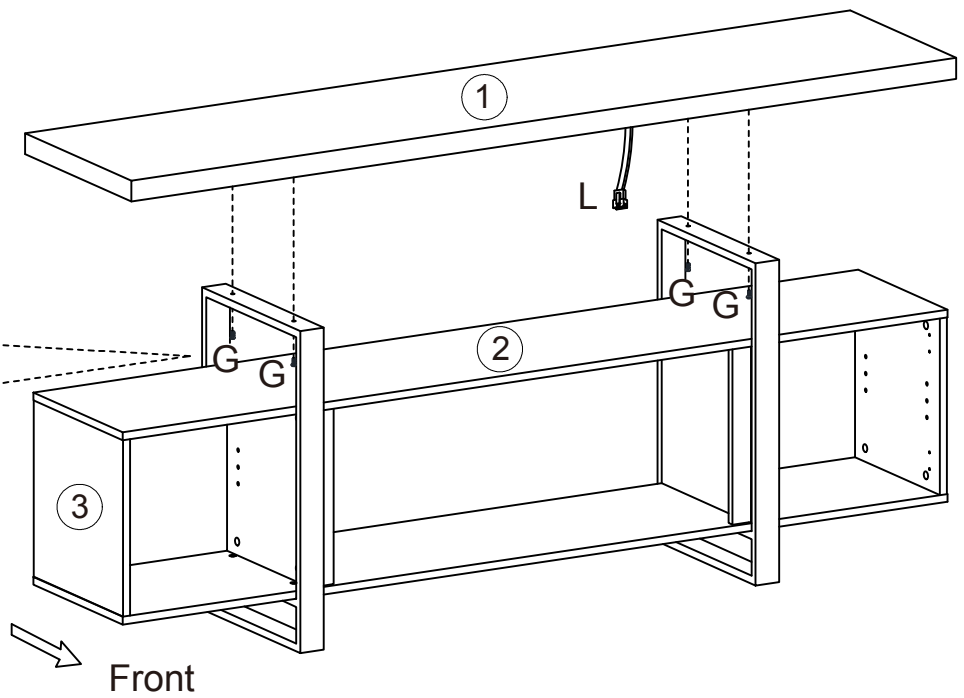
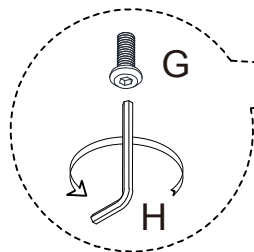
# STEP#12



G x 4



H x 1



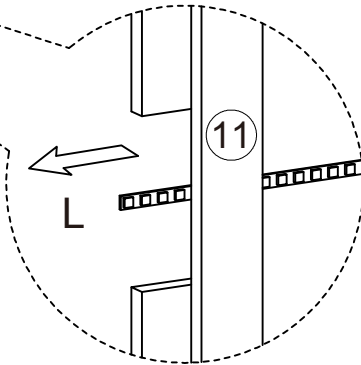
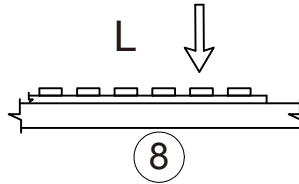
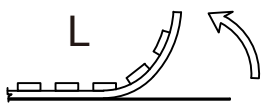
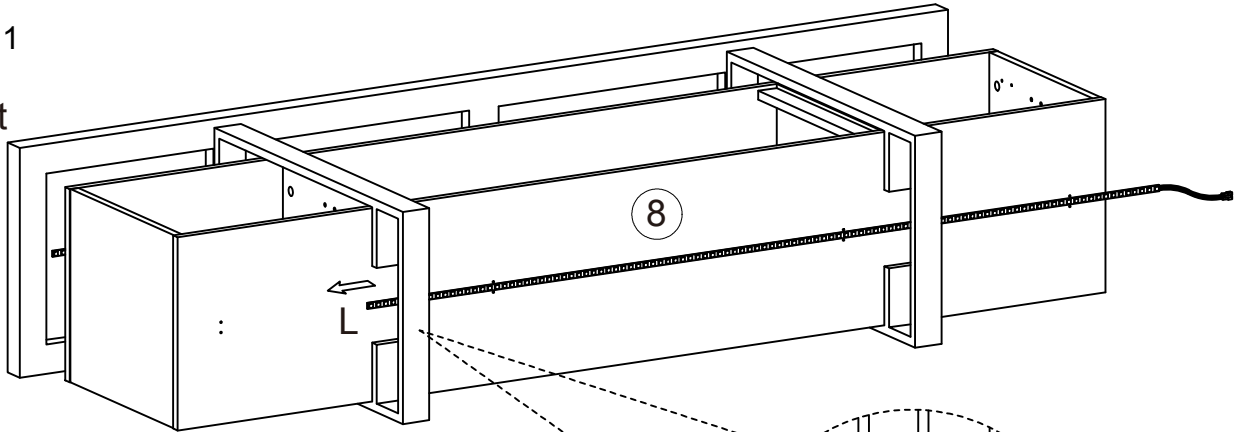
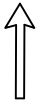
Front

# STEP#13



L x 1

Front



# STEP#14

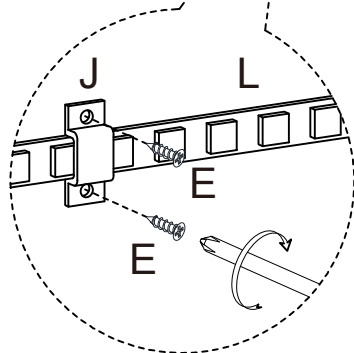
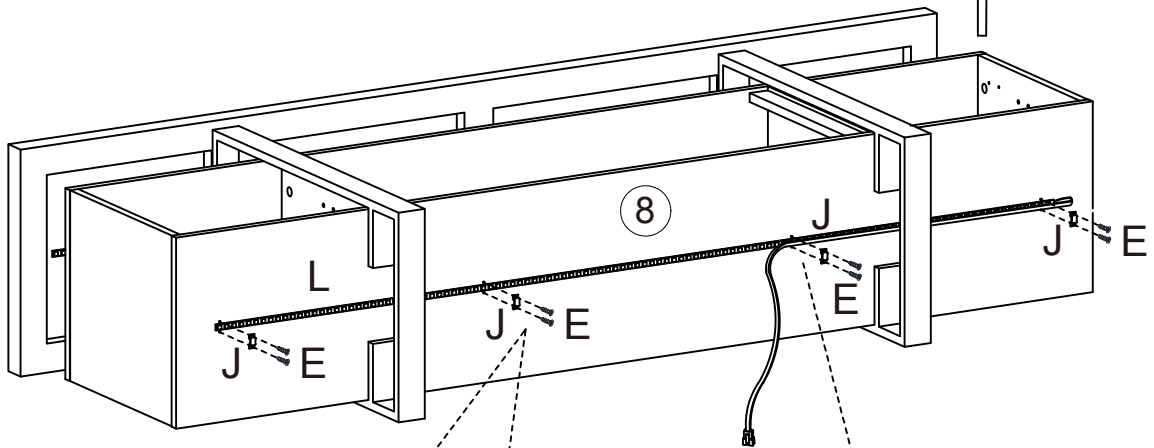


E x 8



J x 4

Front



Fix The LED Power Cord Securely

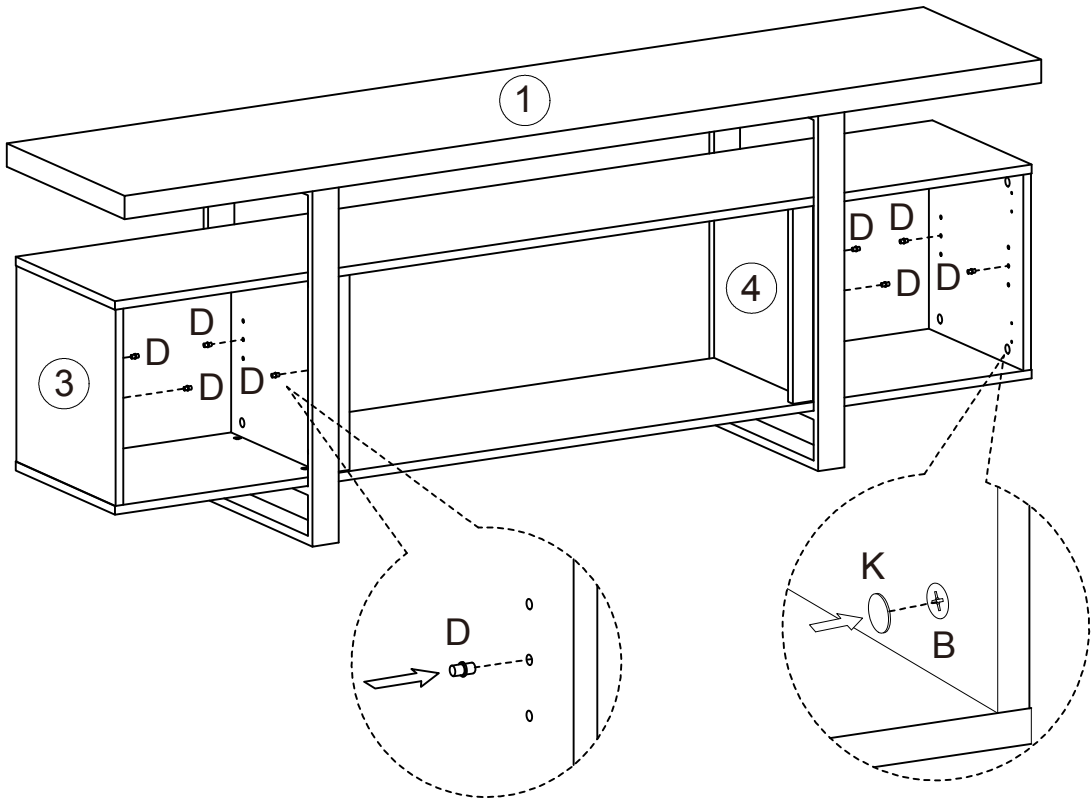
# STEP#15



D x 8

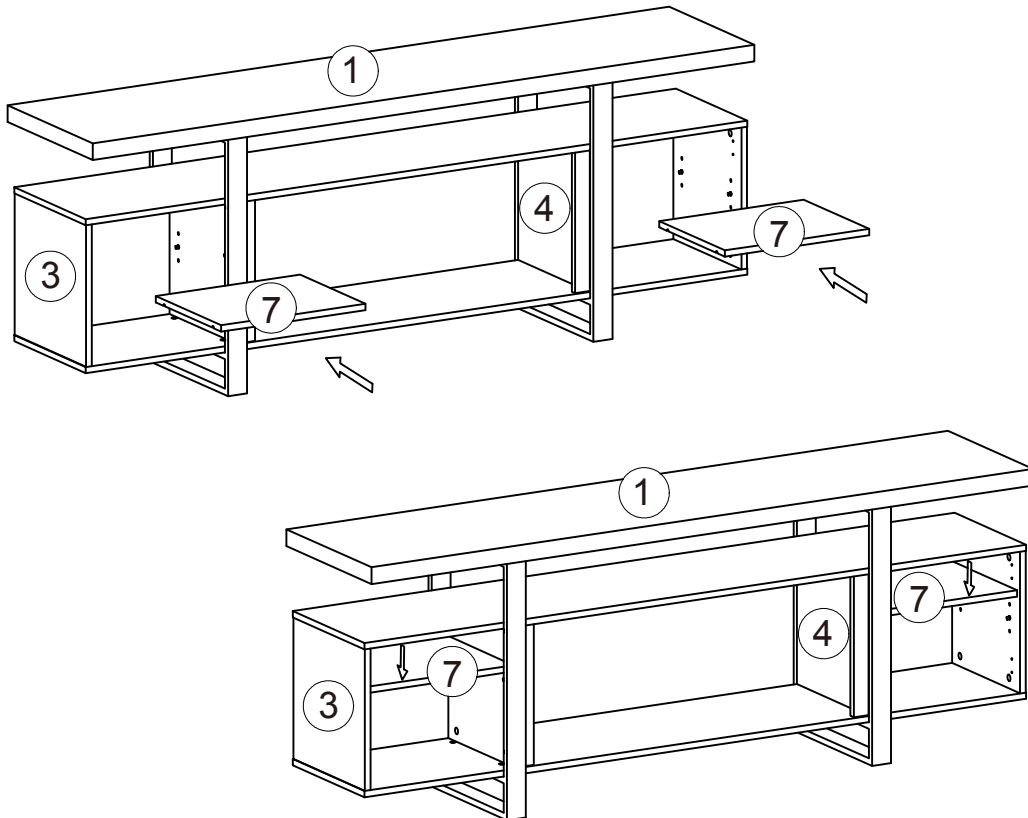


K x 40



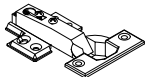
Use K to cover B as your needs for aesthetic.

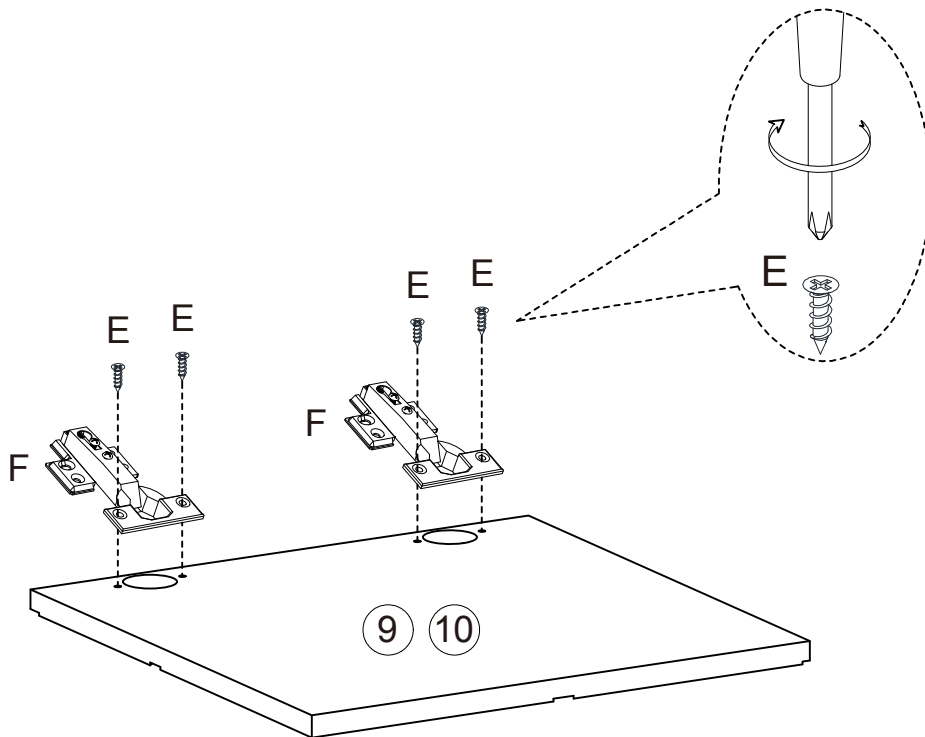
# STEP#16



# STEP#17

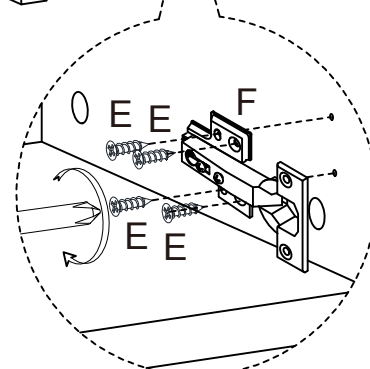
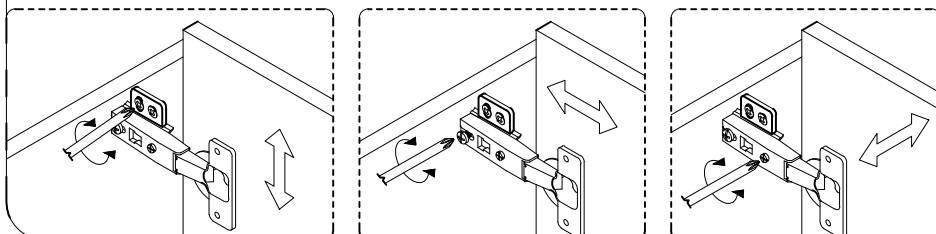
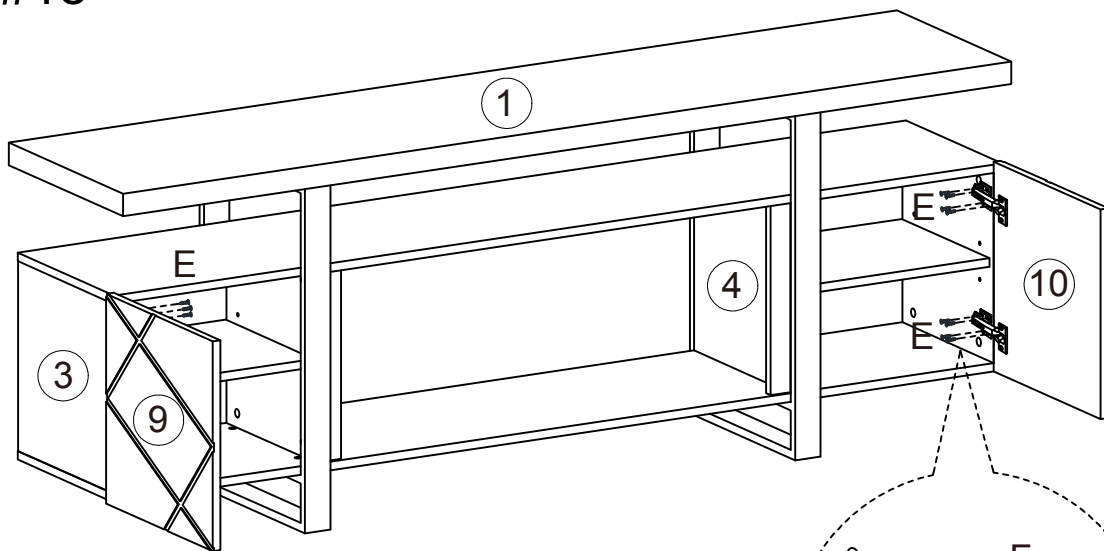
  
E x 8

  
F x 4

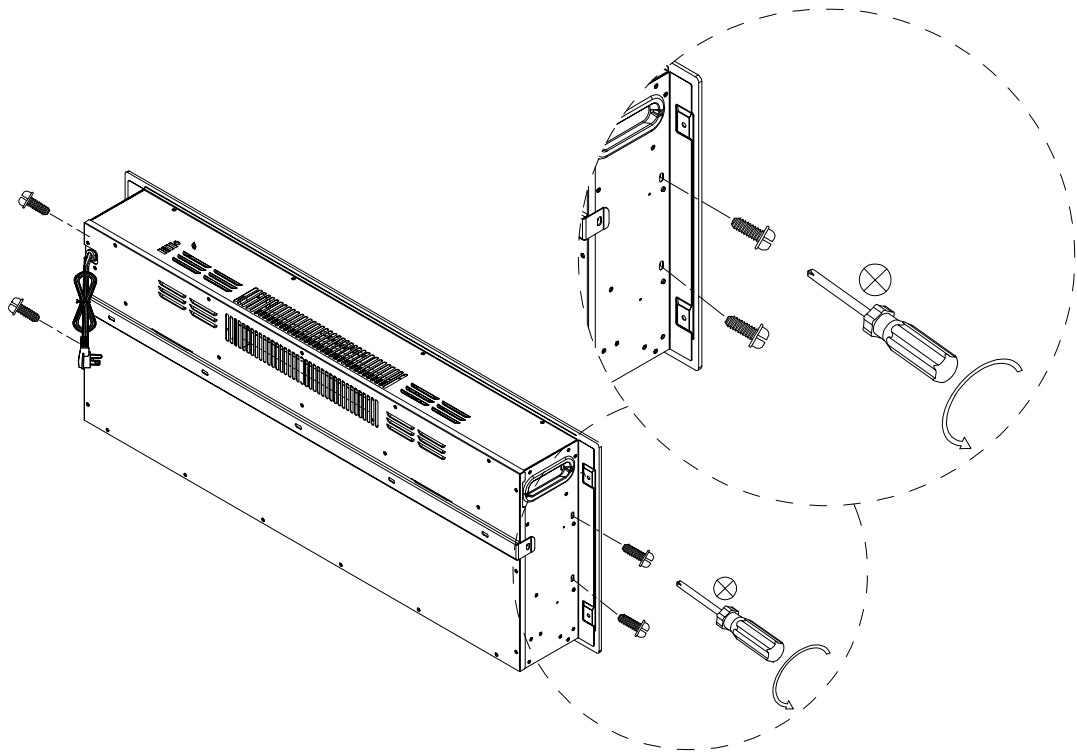


# STEP#18

  
E x 16

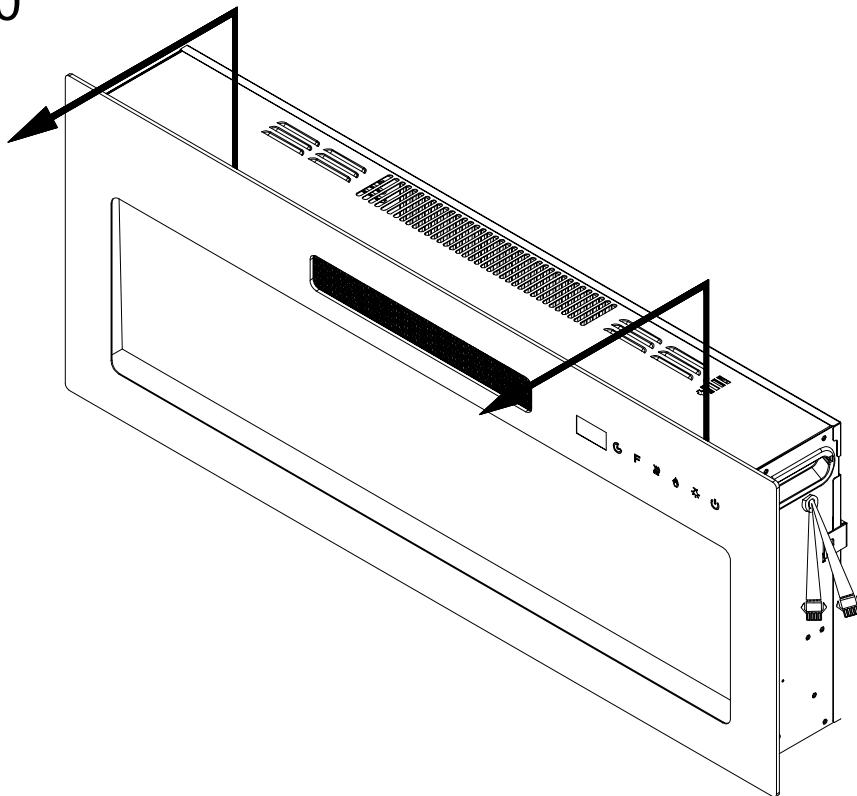


## STEP#19



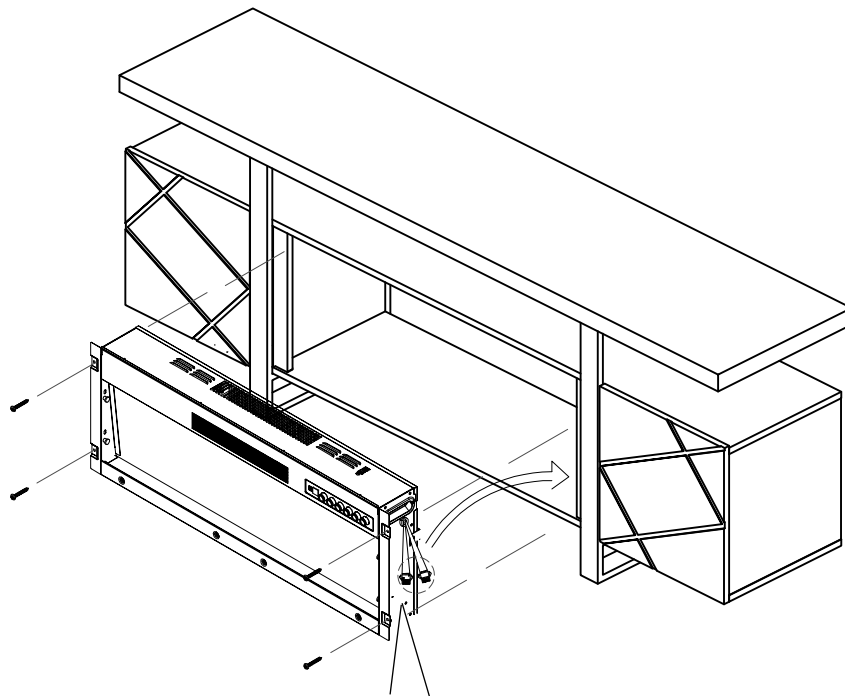
Remove four pcs screws at bothe sides.

## STEP#20



Lift the glass combination up and take it out.

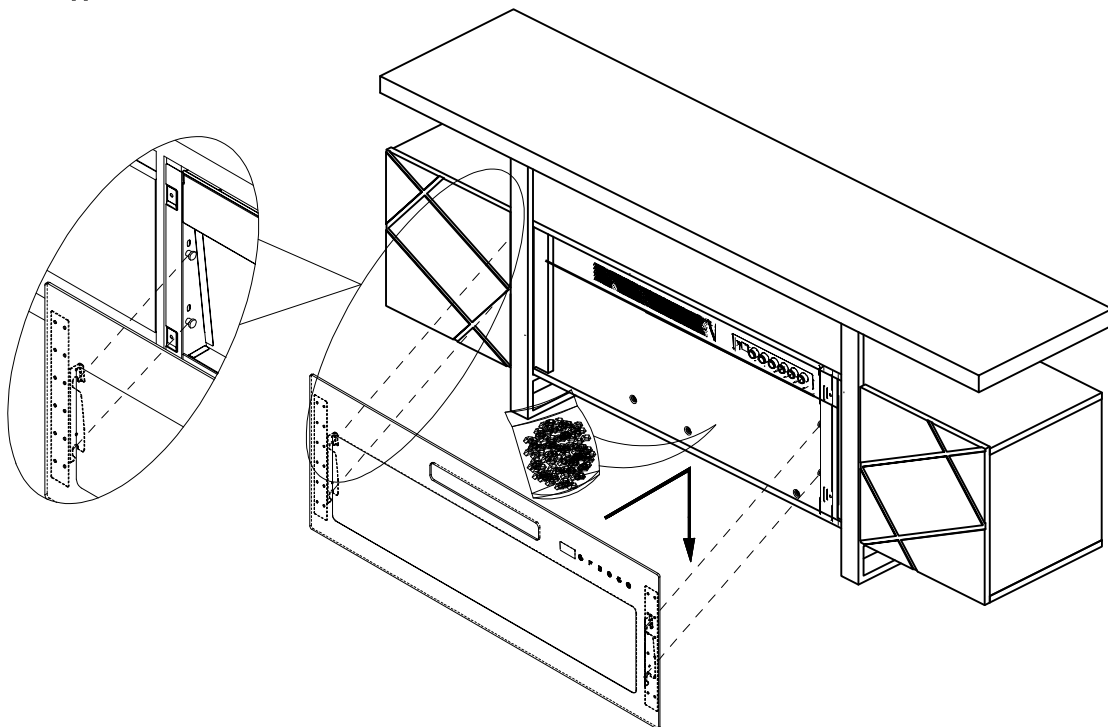
## STEP#21



When placing the electric fireplace, first put one end of the background light connector into the wooden cabinet.

Place the electric fireplace in the wooden cabinet from front to back and fix the electric fireplace to the wooden cabinet with 4 screws.

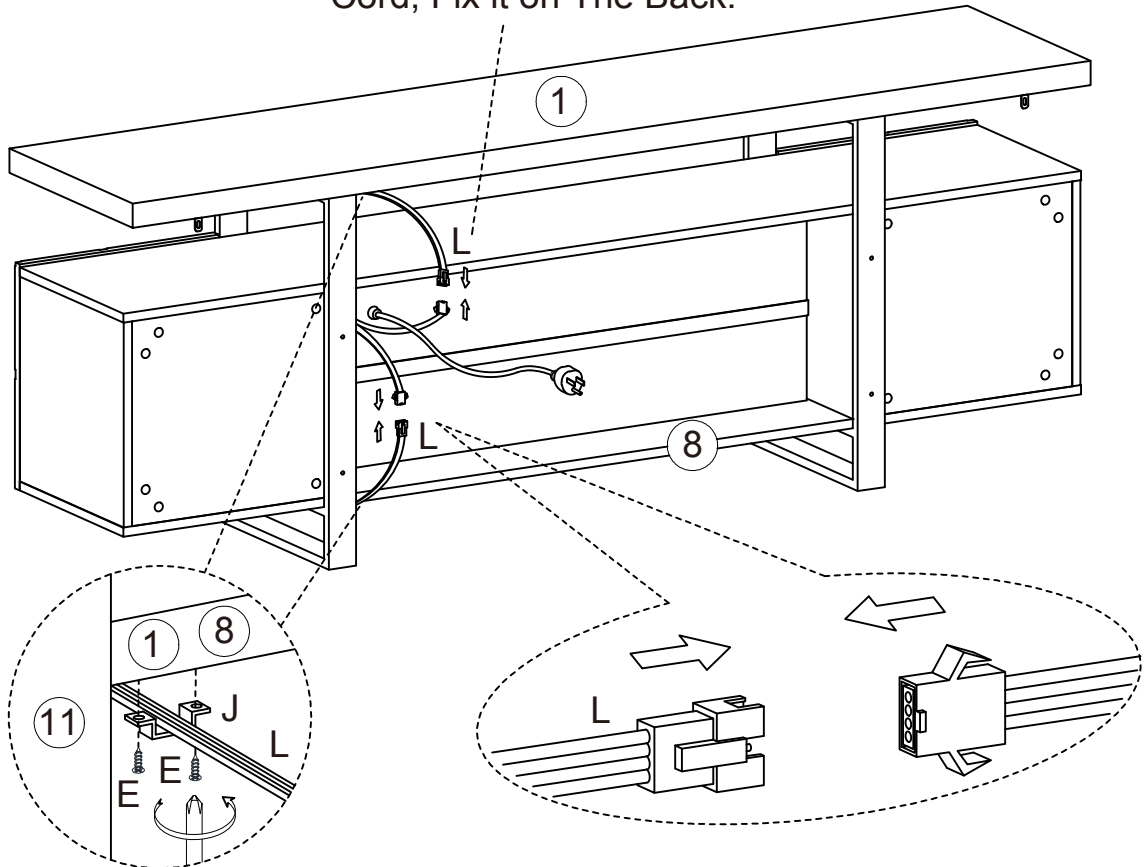
## STEP#22



Put the crystal on the tray and put the front glass assembly in the electric fireplace.

# STEP#23

After Plugging in The LED Light Power Cord, Fix it on The Back.



# STEP#24



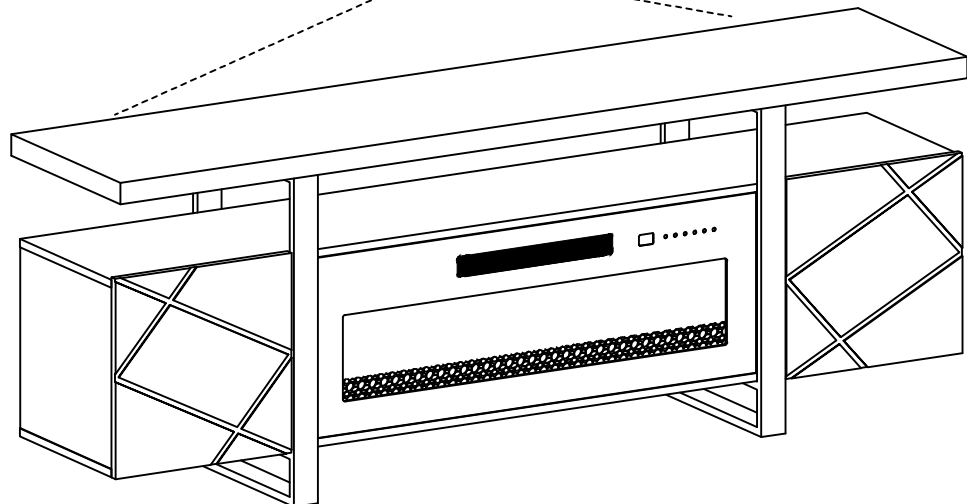
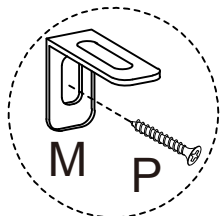
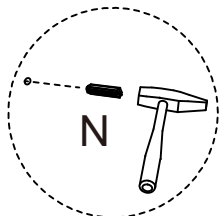
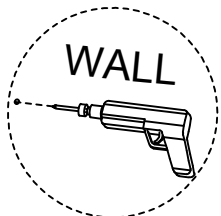
M x 2



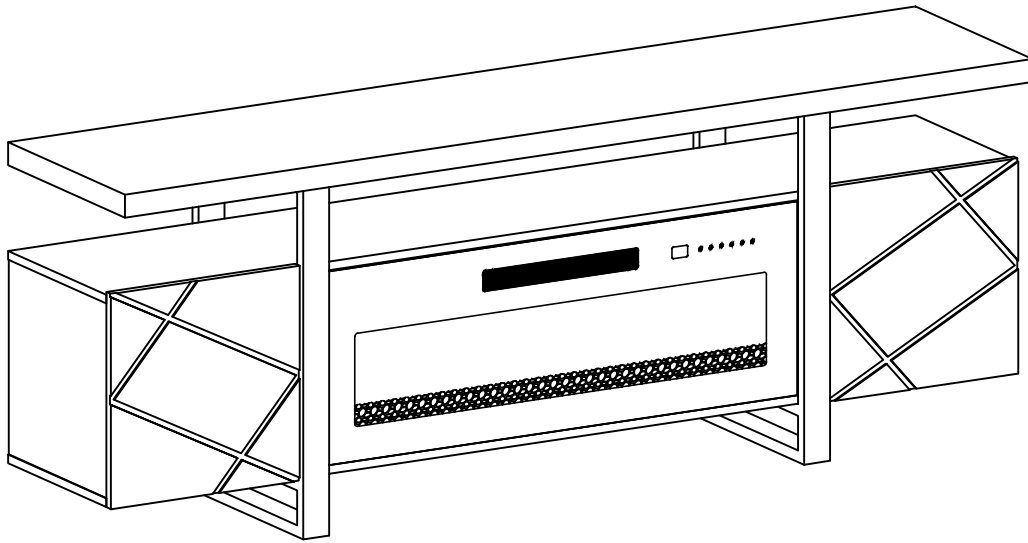
N x 2



P x 2



## STEP#25



Please Refer to The Fireplace User  
Manual For Fireplace Operation

# WARRANTY CARD

## Your warranty includes

- **30 Days Money Back Guaranty**

Within the first 30 days of your purchase, you are allowed to return your product for a full refund.

- **30 Days to 3 Months(6 Months)**

We will replace the defective unit due to manufacturer fault with a new one. (You will receive extra 3 Months warranty if you register on our website.)

- **3 Months to 24 Months**

Within 24 Months, we will provide timely and effective online after-sales service after your purchase.

## How to return your Orfeld Products

- Contact with your order number.
- We will issue you RMA # and return address for your return.
- Please fill out RMA info, tear off this page and leave it inside your return package.
- We will issue replace / return after receiving your return.

## Return product details

To get your returns processed as quickly as possible, please fill this form and include it in your return package.

Purchase Name	
Order Number	
Date of Purchase	
Your Email Address	
Where did you buy it	

\* If your product is purchased from Amazon Fulfilled channel, please contact for your return within 30 days of purchase.

**MADE IN CHINA**

