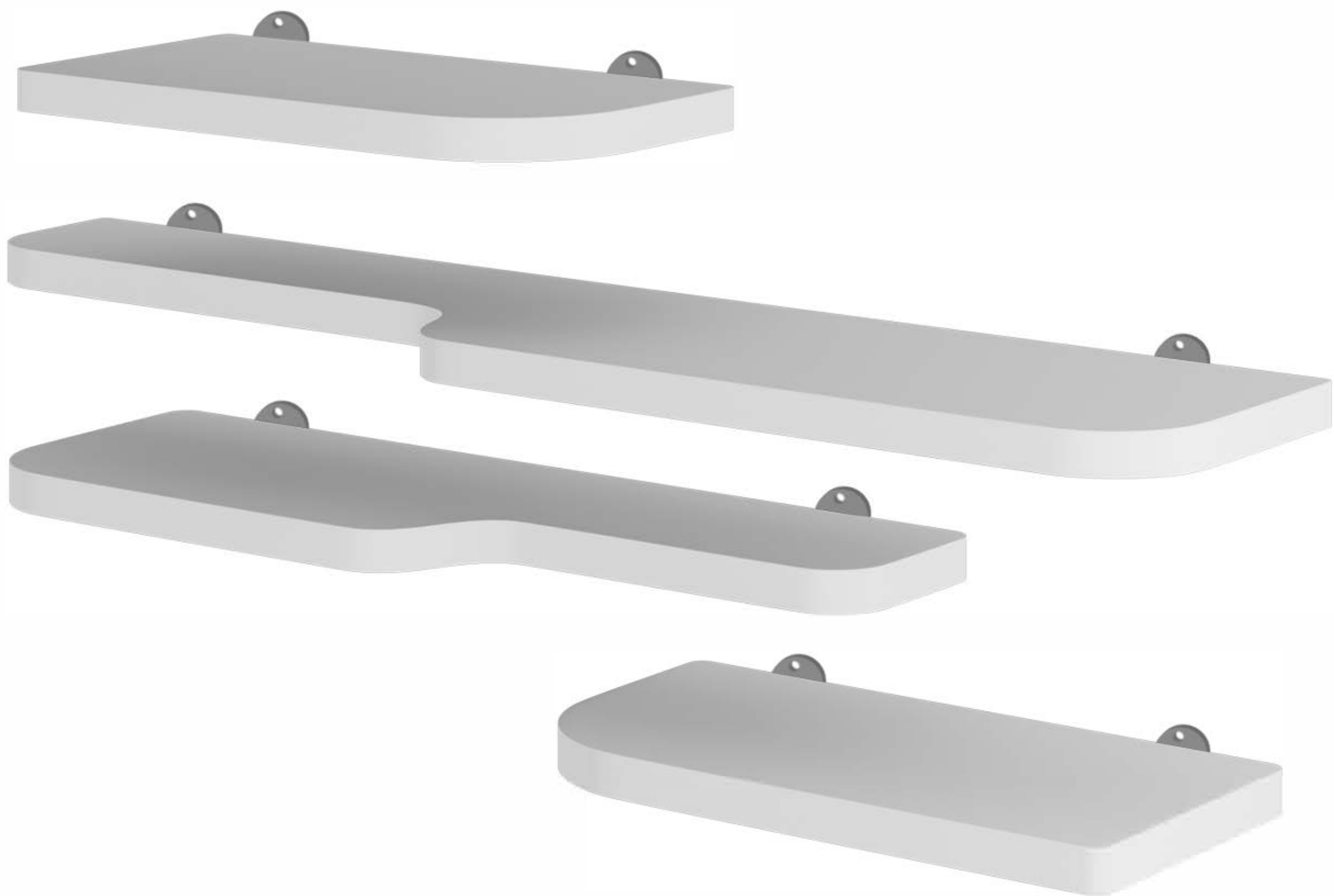


# Owner Manual



**10 : 00**

---

estimated  
installation time



**1 or more**

---

people required

Ok, let's  
get started!



- Put on mood music!
- To prevent damage to product, use the clean side of package carton or rug as working surface for assembly.
- In the event of missing or damaged parts, delivery problems etc., please reach out to our team. We will be happy to fix the problem!

# care guide

- Clean regularly with a soft and dry cloth.
- To protect finish, avoid use of abrasive cleaners.
- Wipe up spills immediately. Please!



# product parts



(A)  
Shelf  
x1



(B)  
Shelf  
x1

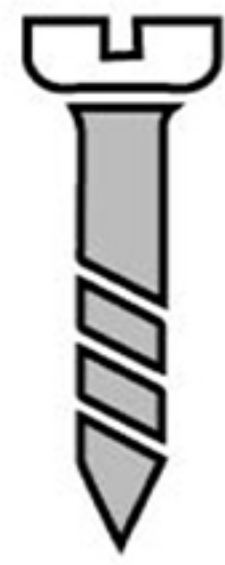


(C)  
Shelf  
x1



(D)  
Shelf  
x1

# what's included



(E) - Screw  
x8



(F) - Wall Plug  
x8

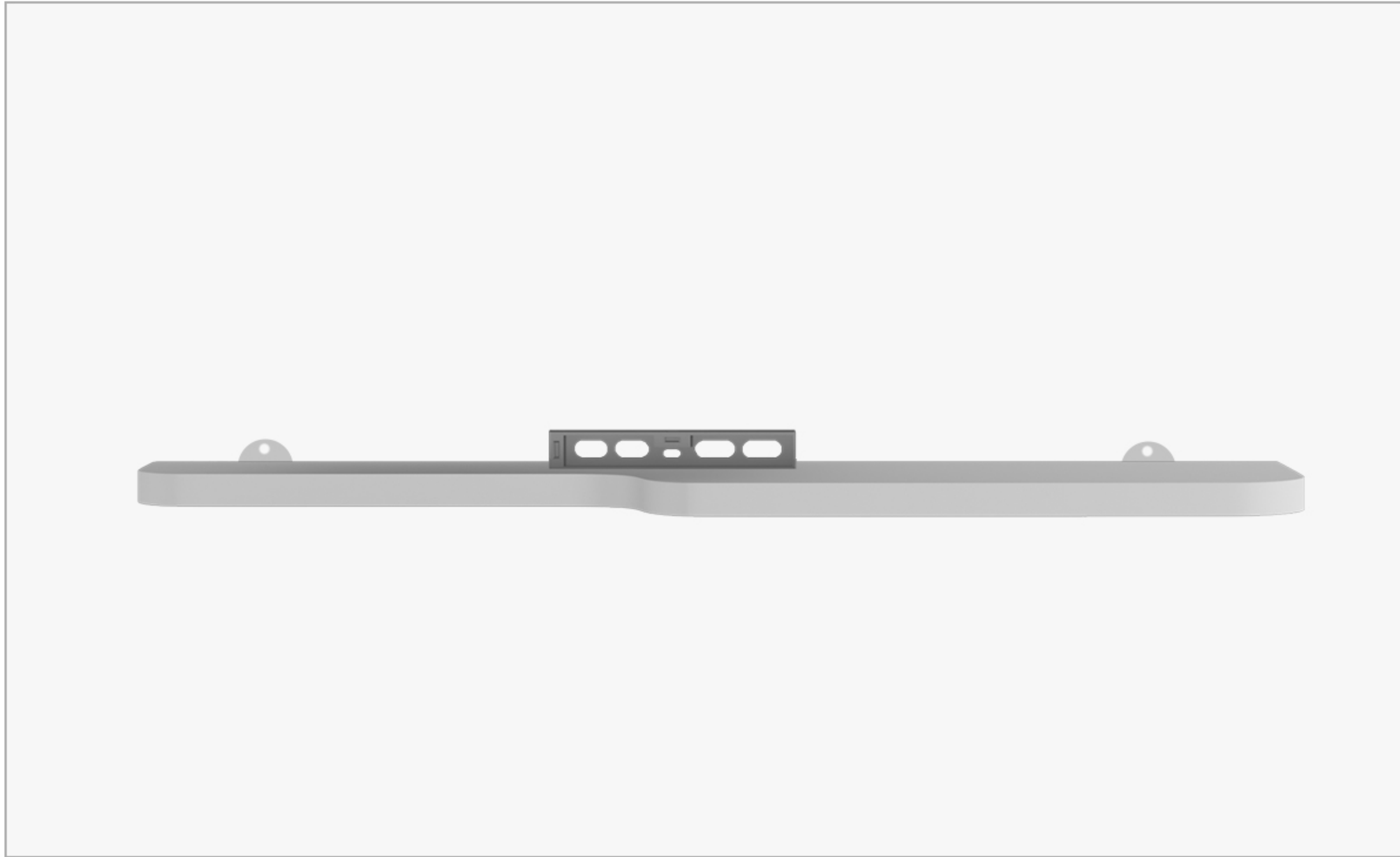
# installation instructions

Take a deep breath going in.  
This is easy even if you are not  
used to tools. Just follow these  
steps to the T, and the  
outcome will be  
worth it!



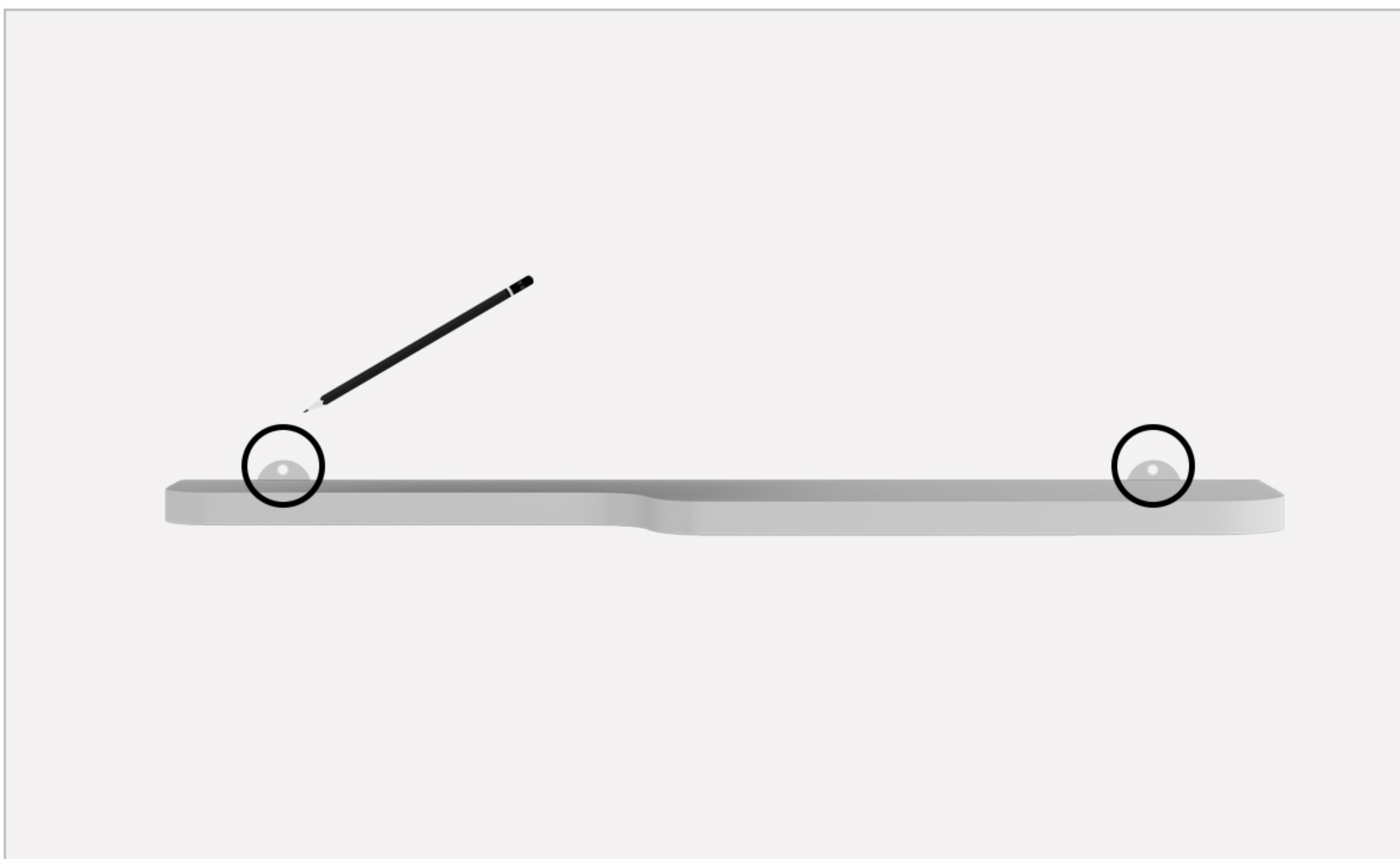
step 1:

Place the shelf on the wall and put a spirit level on it to check the alignment. Adjust if needed.



step 2:

Once the shelf is straight to the wall, make two points using a pencil, taking this image as reference.



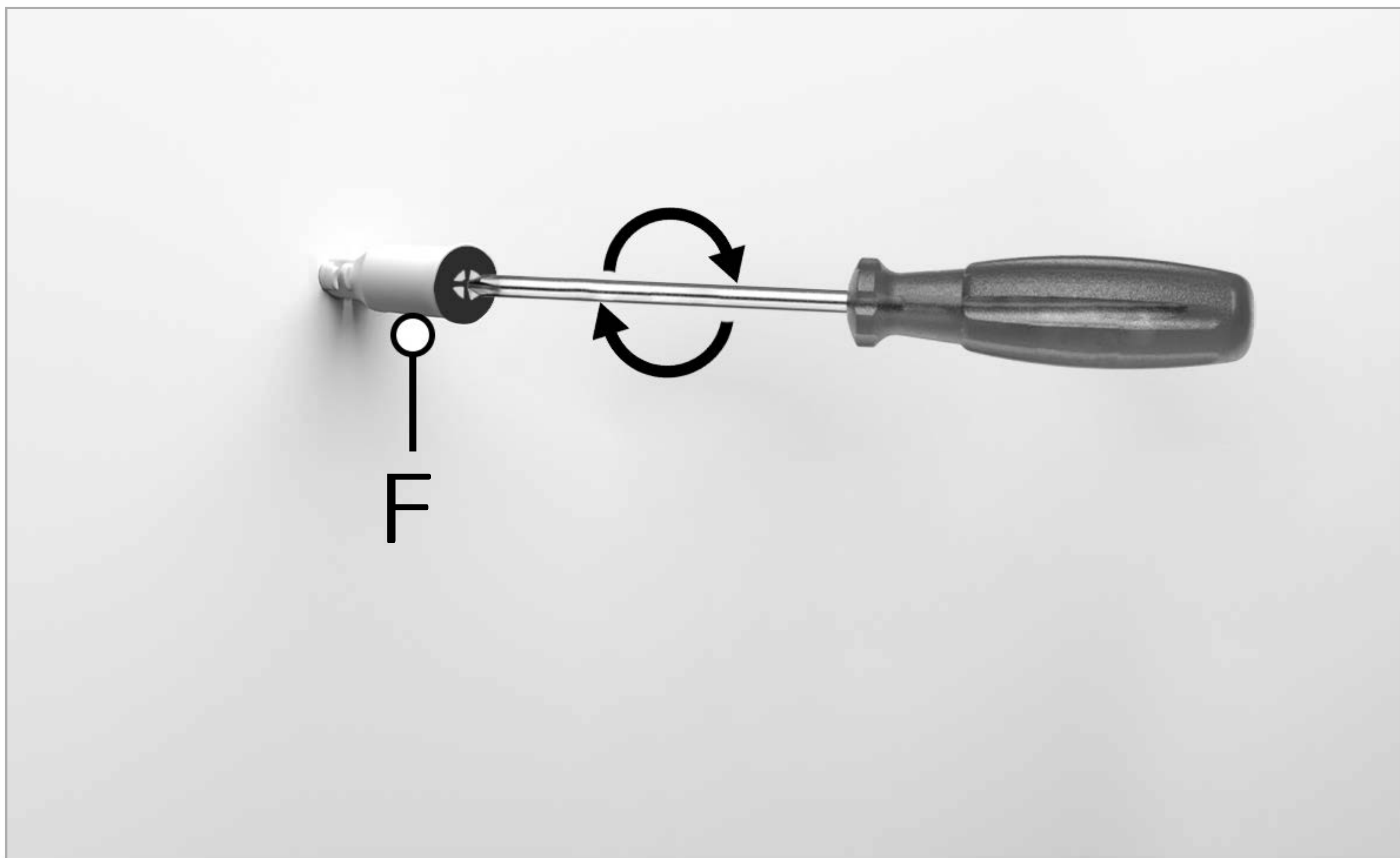
step 3:

Drill holes approx. 10 mm at the points you just marked



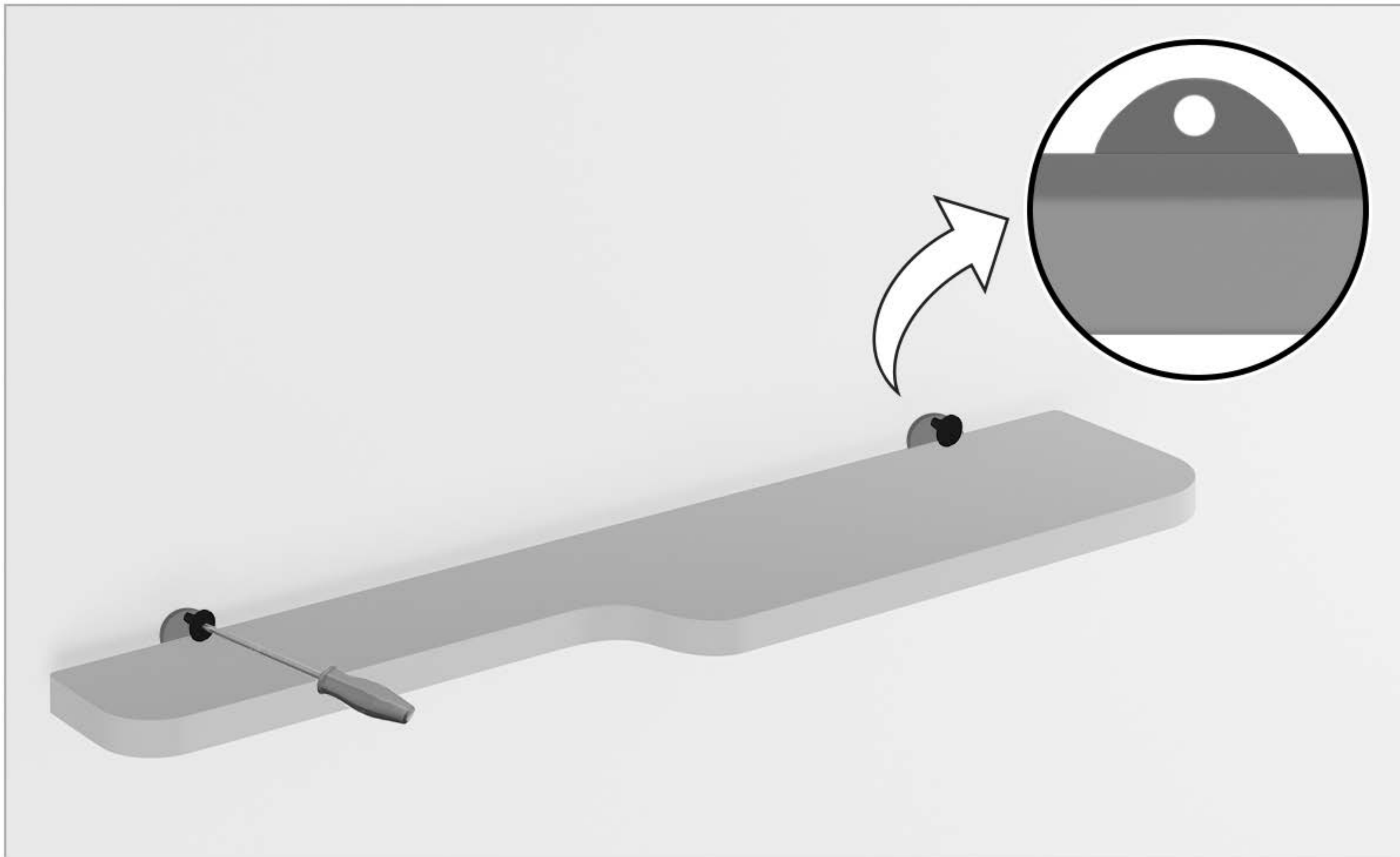
step 4:

Insert the wall plug (F) and tighten with the help of a screwdriver.



step 6:

Now, align the shelf & screws and tighten all the screws with the help of a screwdriver.



---

**Voila! Your shelf is now installed and secure!**