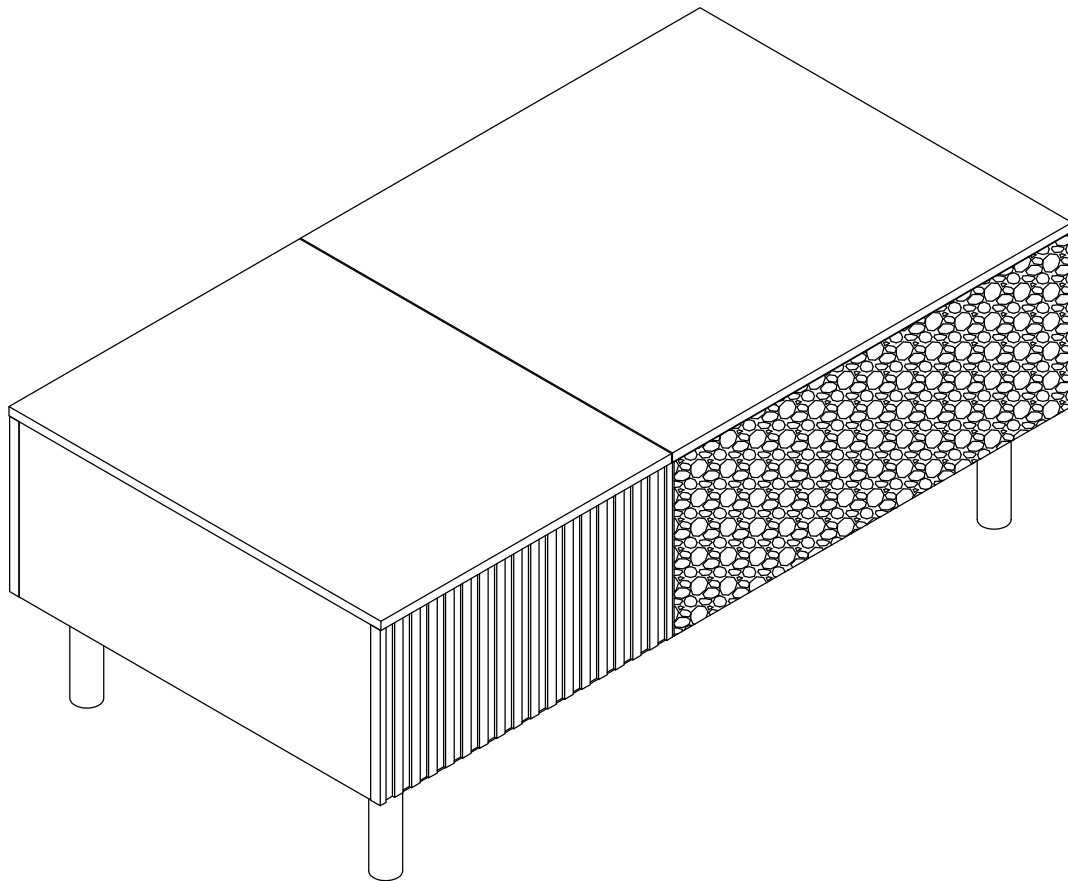
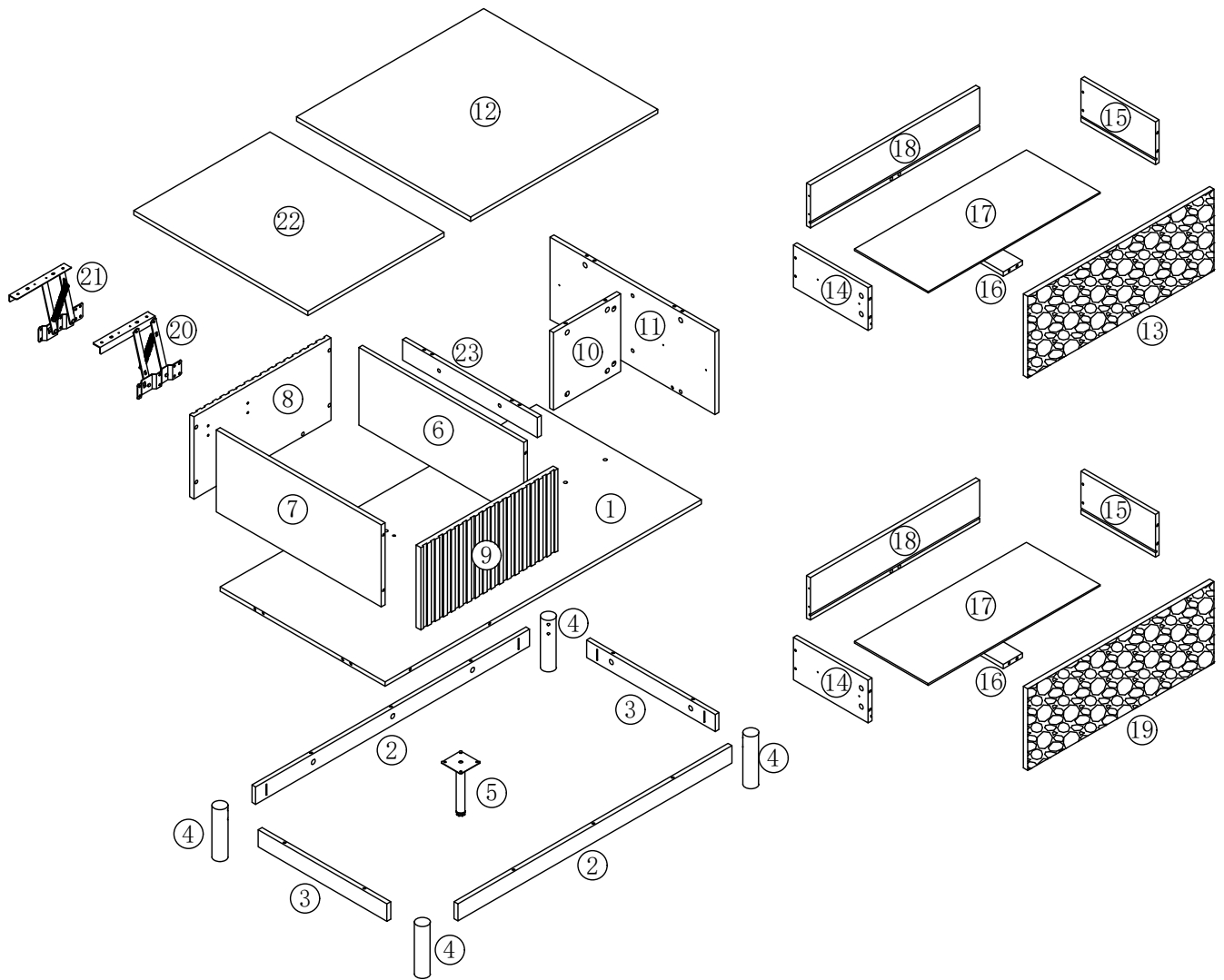
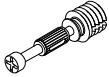

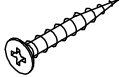
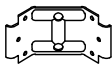



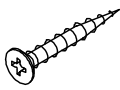

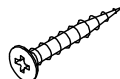


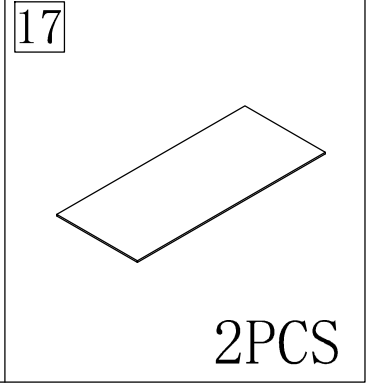
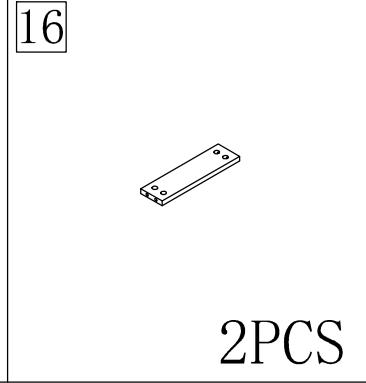
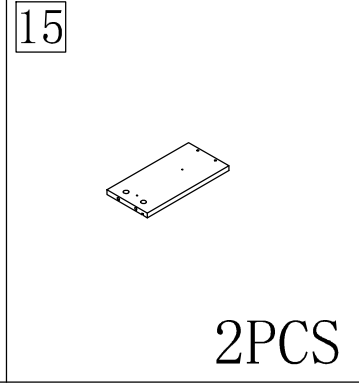
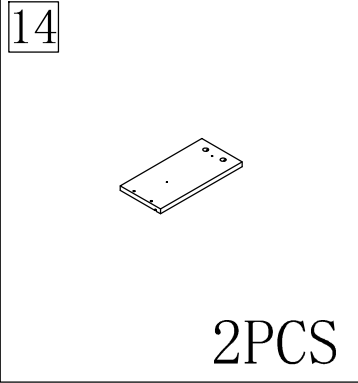
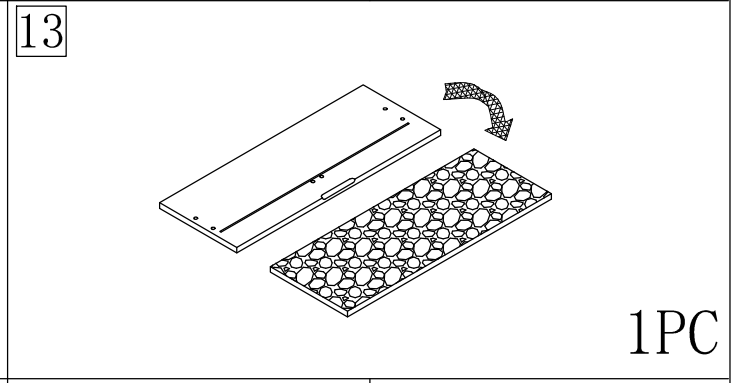
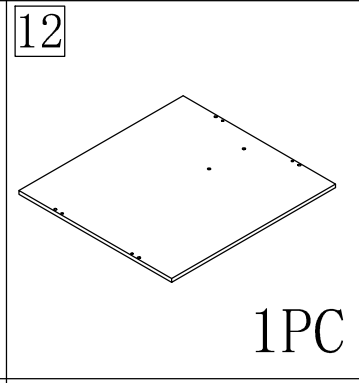
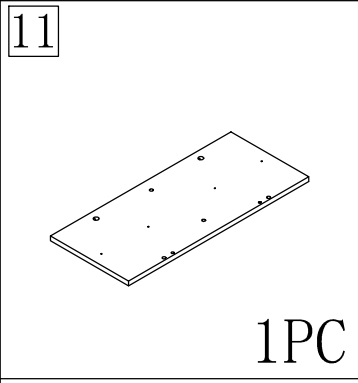
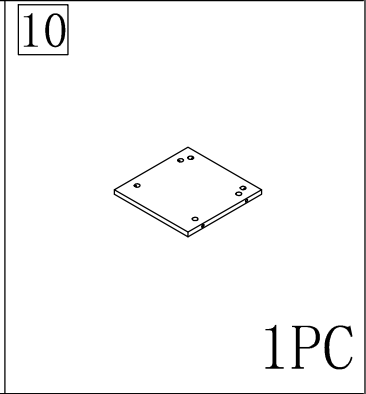
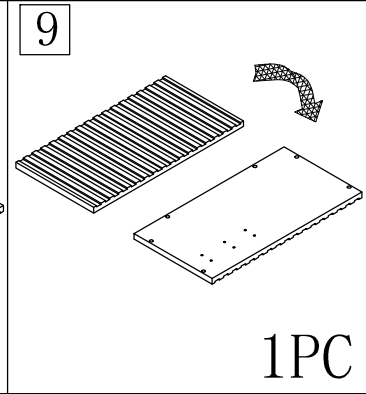
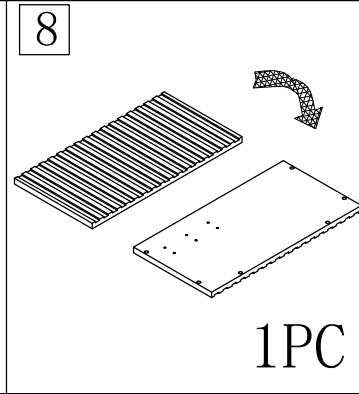
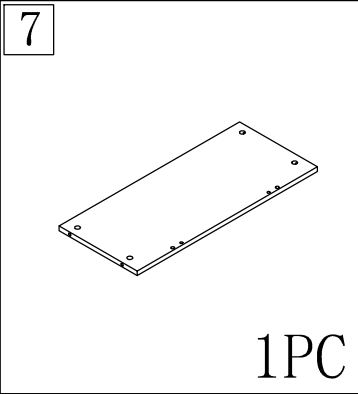
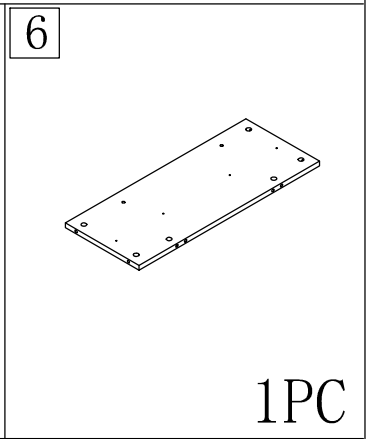
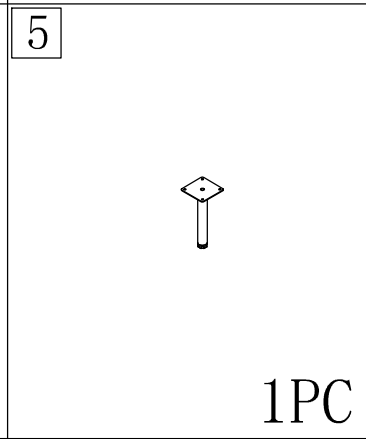
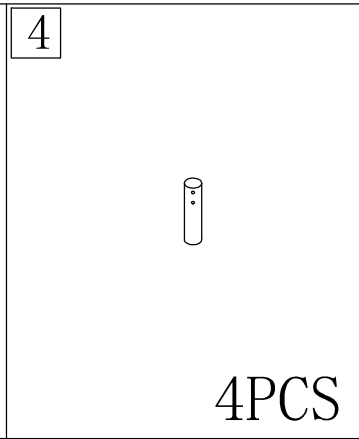
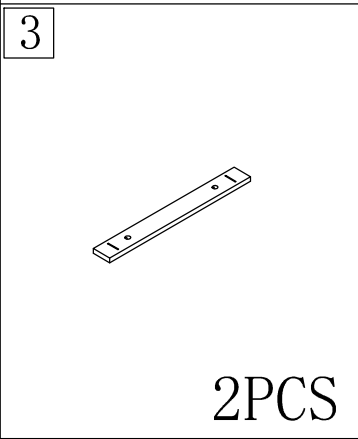
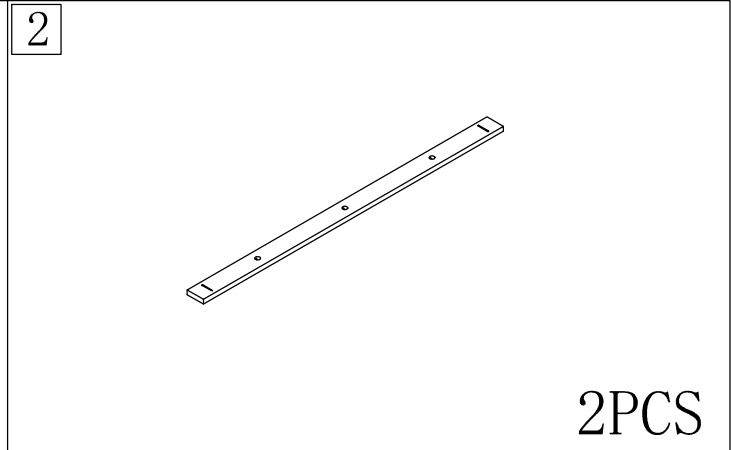
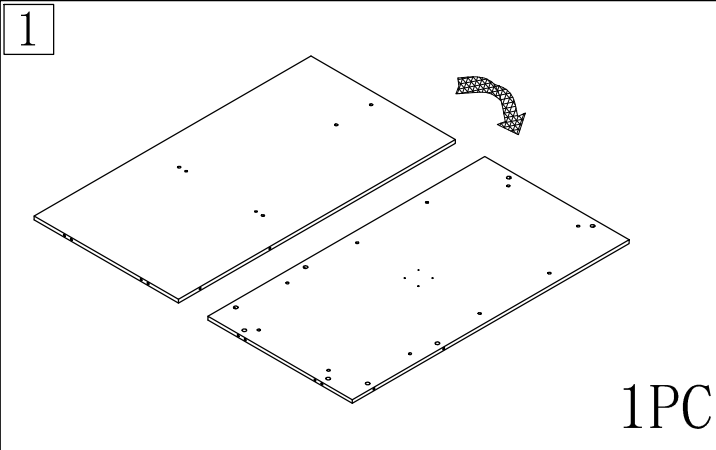
# Coffee table

## Installation Instructions

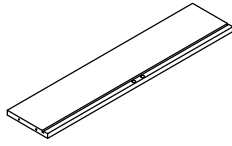




A	54PCS	B	54PCS	C	48PCS	D	4PCS	E	10PCS	F	4PCS
											
Ø6*35mm		Ø15*10mm		Ø3.5*14mm				M6*25mm		12"	
G	10PCS	H	8PCS	I	4PCS	J	12PCS				
											
Ø8*30mm		Ø3.5*40mm		M6*12mm		Ø5*14mm					

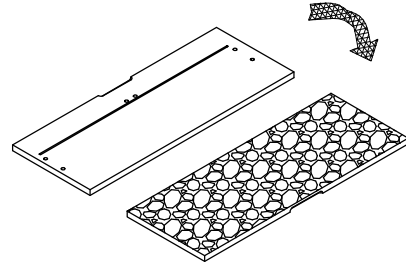


18



2PCS

19



1PC

20



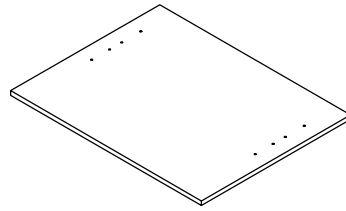
1PC

21



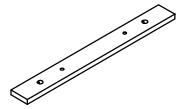
1PC

22



1PC

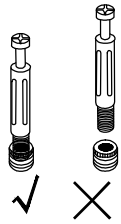
23



1PC

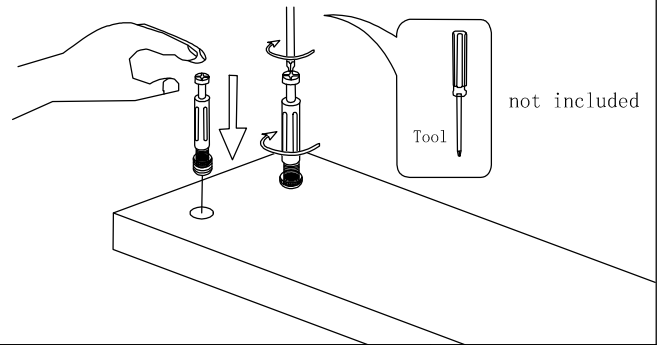
### "A" Hardware installation example

I

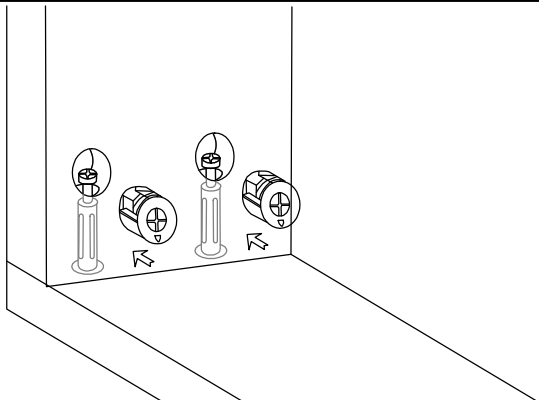


This part cannot be separated, please install in strict accordance with the assembly requirements

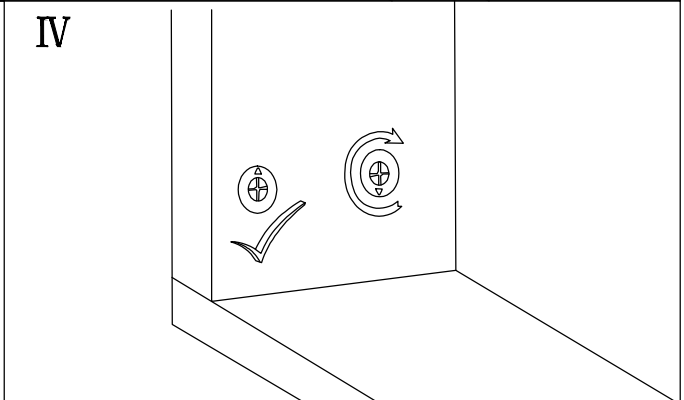
II



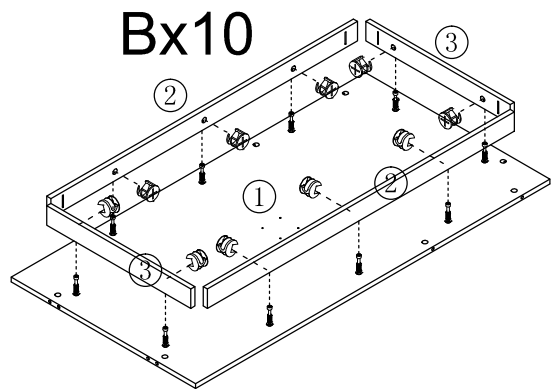
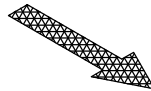
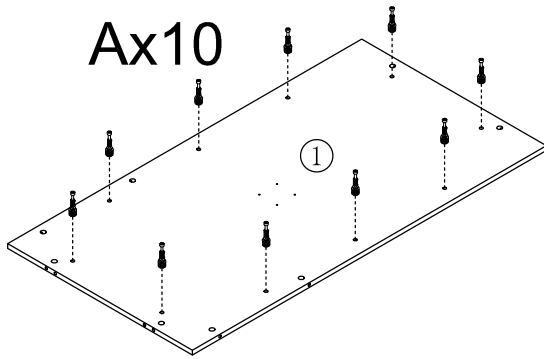
III





IV

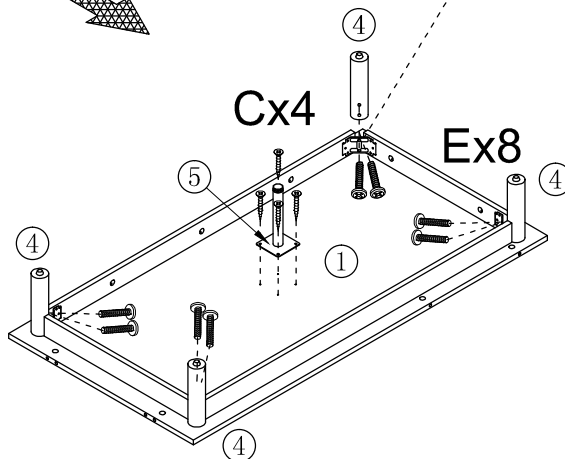
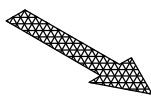
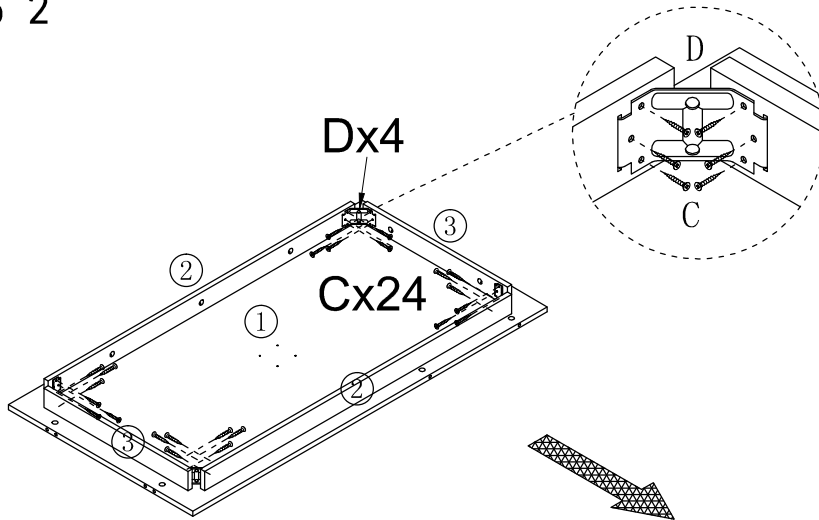


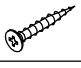
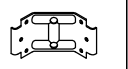

# Step 1



A	10PCS
	
Ø6*35mm	
B	10PCS
	
Ø15*10mm	

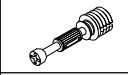
# Step 2



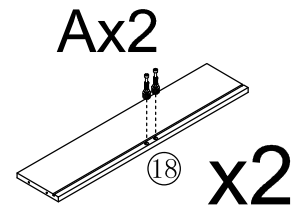
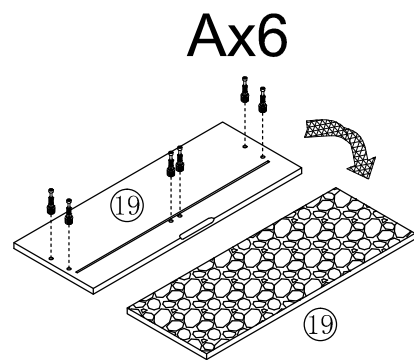
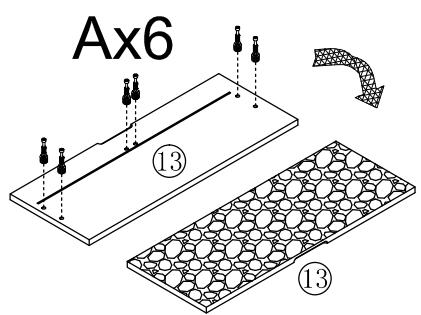
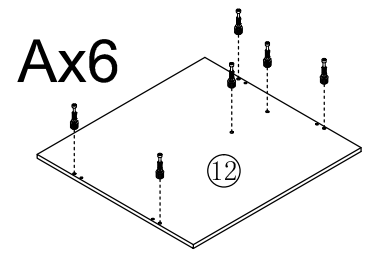
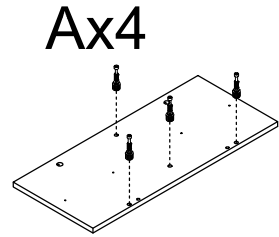
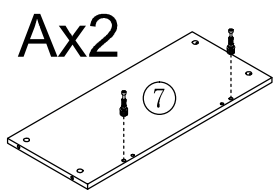
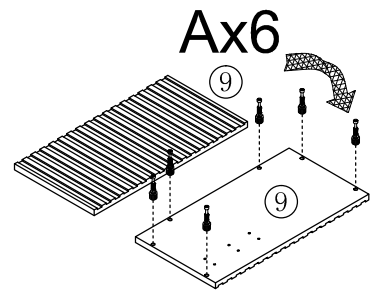
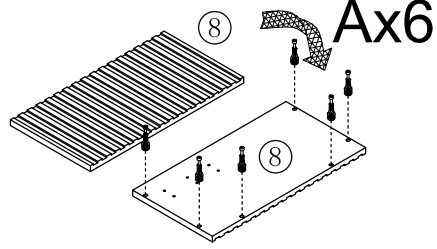
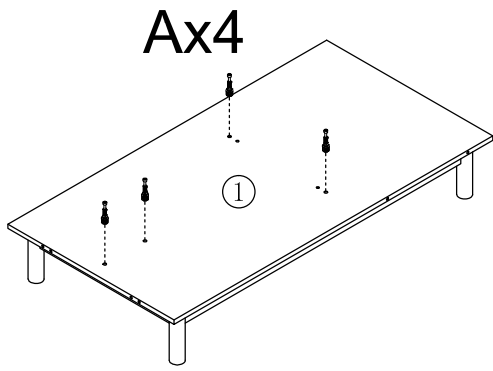
C	28PCS
	
Ø3.5*14mm	
D	4PCS
	
E	8PCS
	
M6*25mm	

### Step 3

A 44PCS



Ø6\*35mm

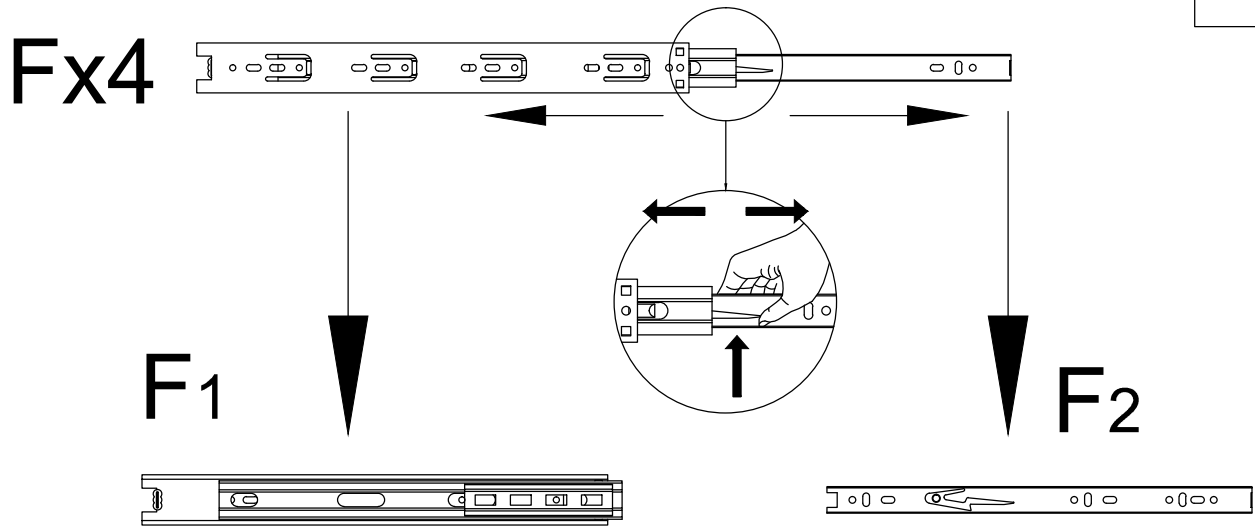


### Step 4

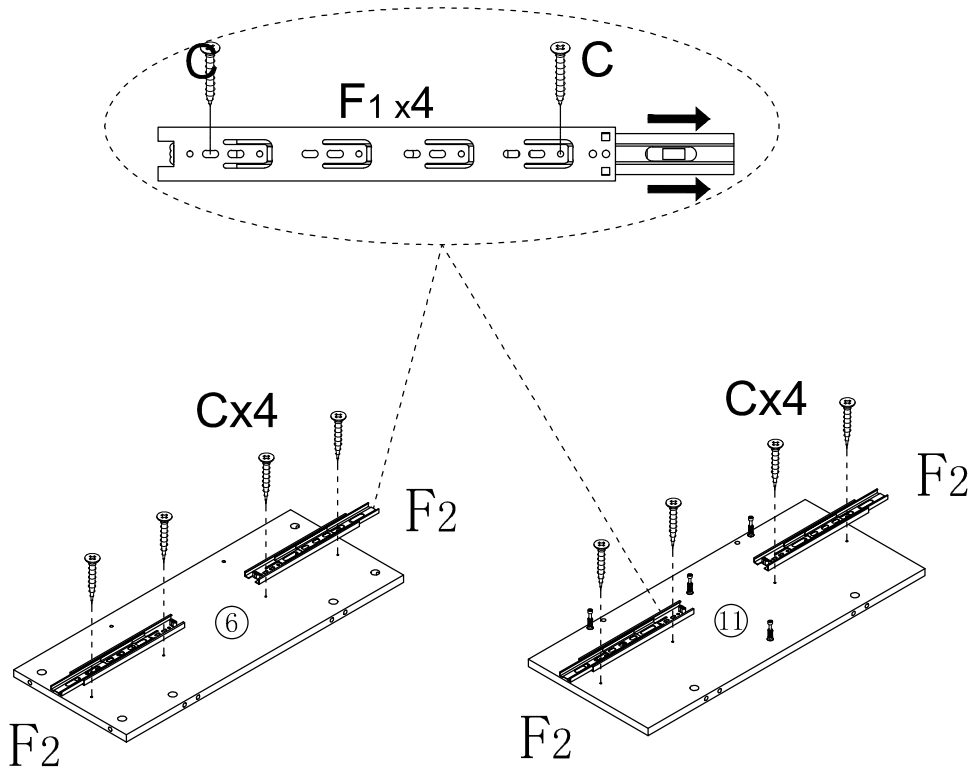
F 4PCS

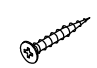



12"

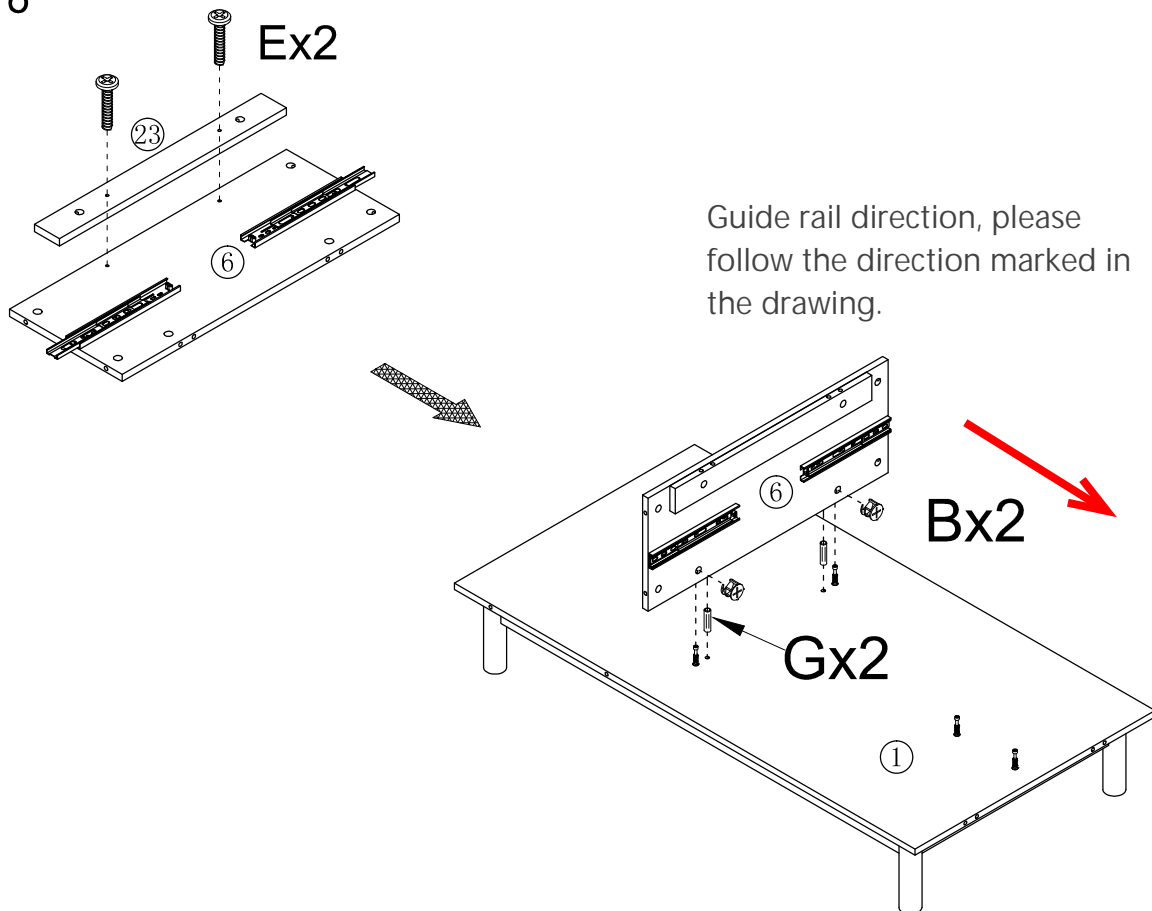





### Step 5



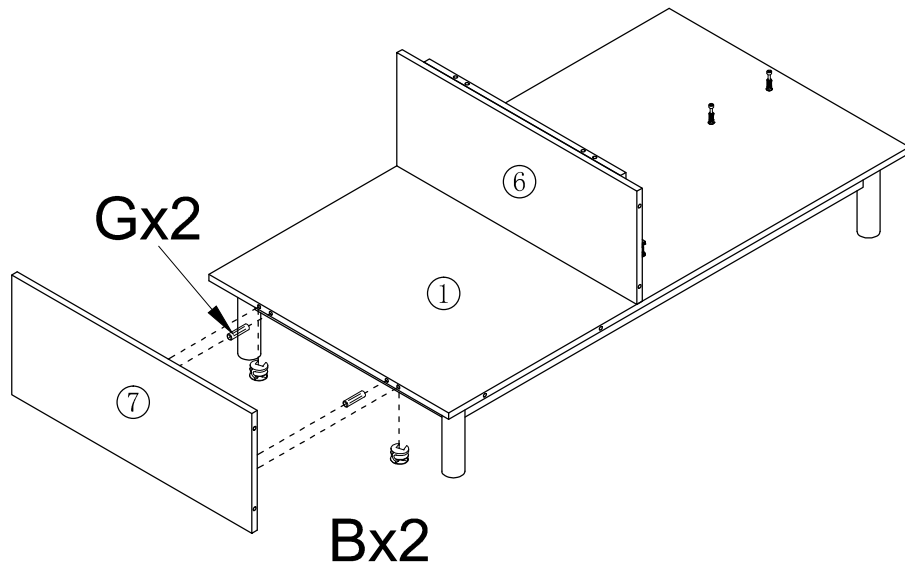
C	8PCS
	
Ø3.5*14mm	
F1	4PCS
	
12"	

### Step 6



B	2PCS
	
Ø15*10mm	
G	2PCS
	
Ø8*30mm	
E	2PCS
	
M6*25mm	

## Step 7



B | 2PCS



Ø15\*10mm

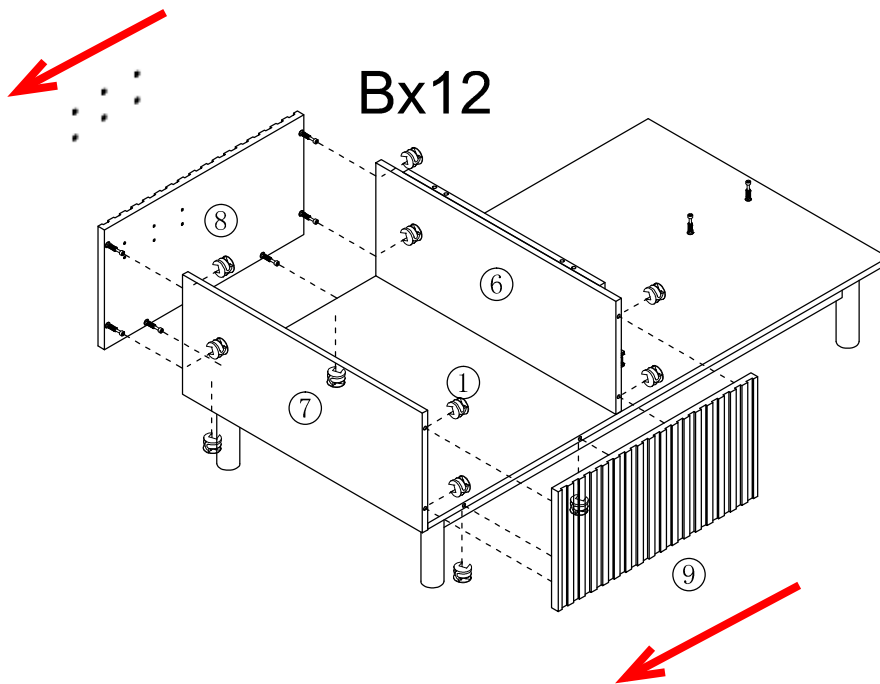
G | 2PCS



Ø8\*30mm

## Step 8

Note the position of the screw holes.




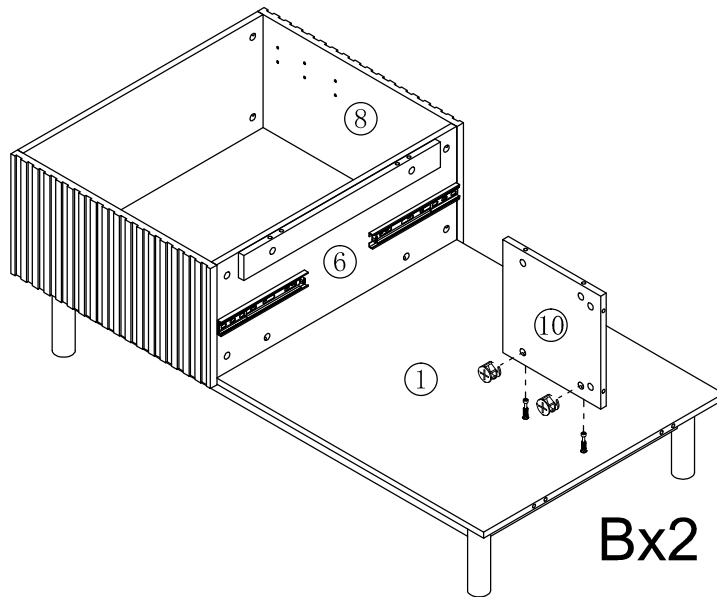
B | 12PCS





Ø15\*10mm

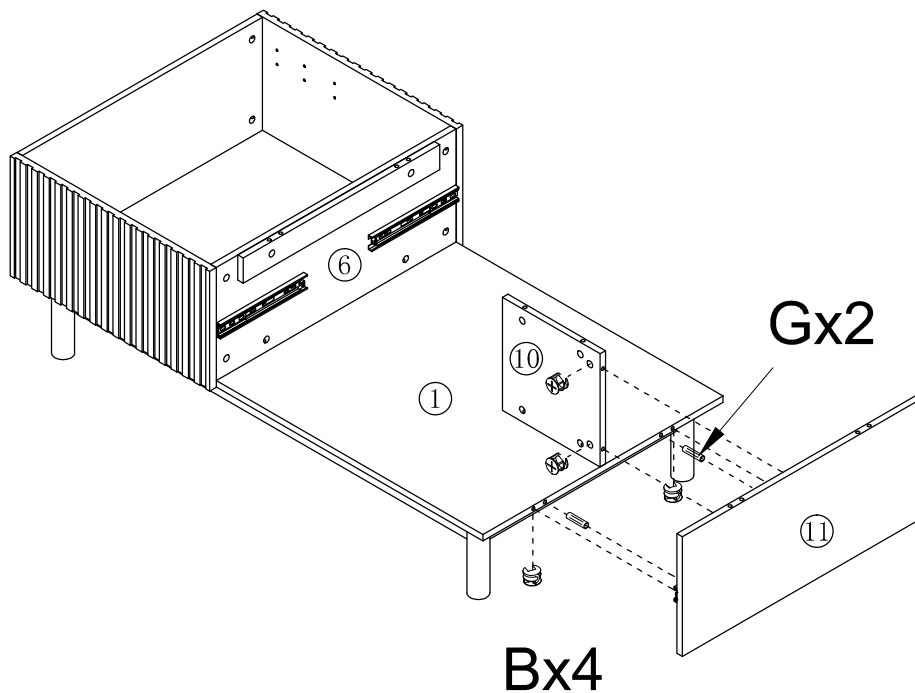
# Step 9

B	2PCS
	
Ø15*10mm	



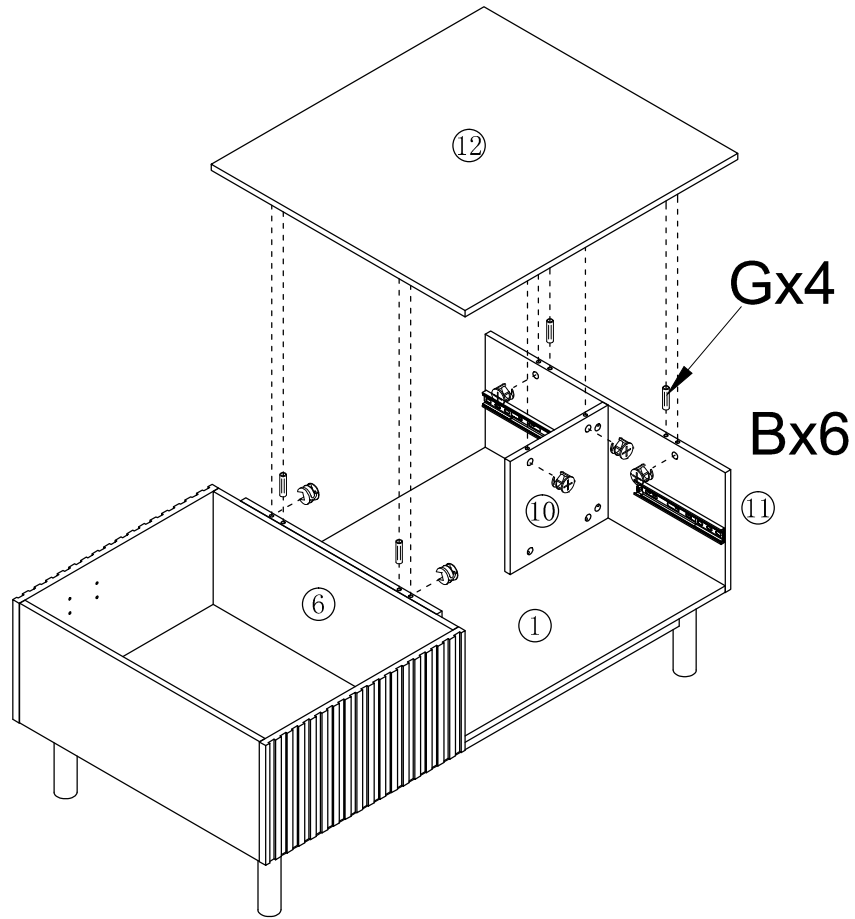
# Step 10

B	4PCS
	
Ø15*10mm	
G	2PCS
	
Ø8*30mm	



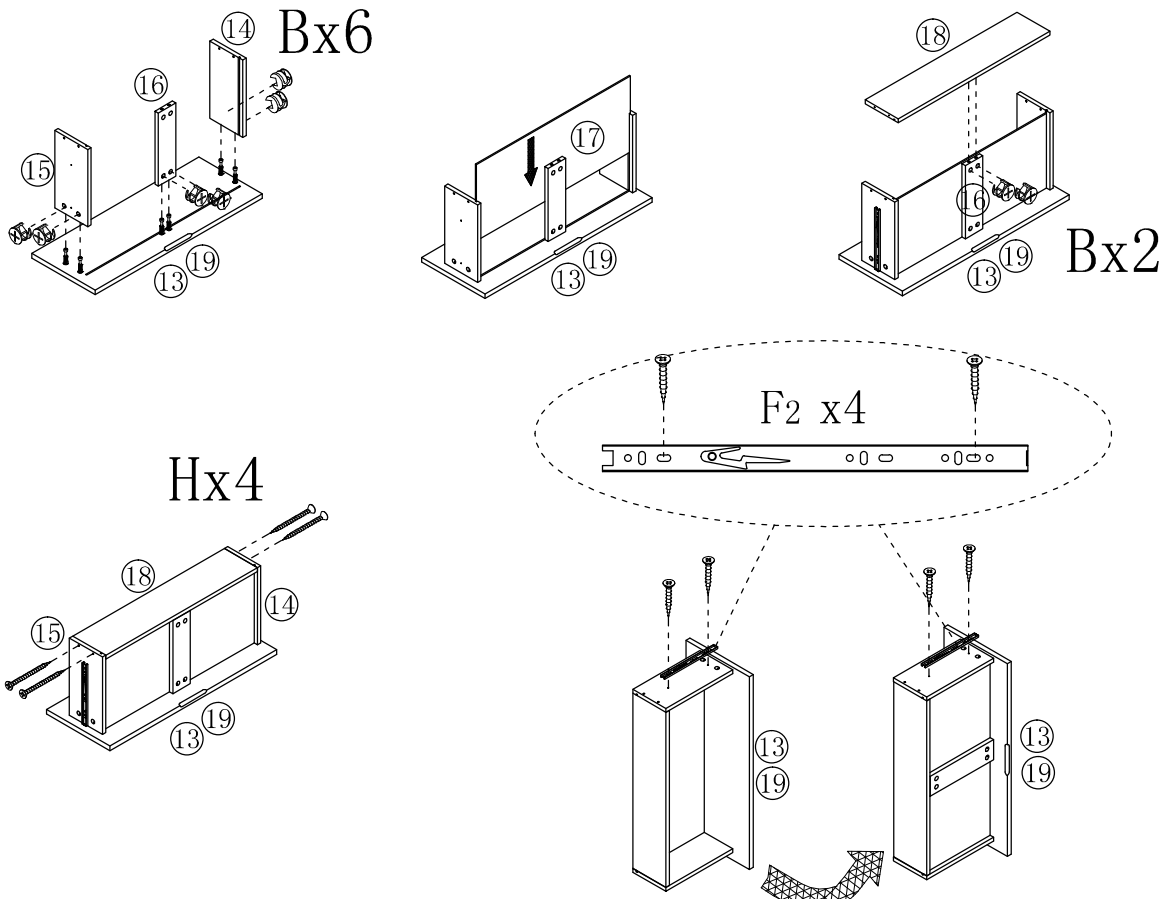
x2

# Step 11



B	6PCS
Ø15*10mm	
G	4PCS
Ø8*30mm	

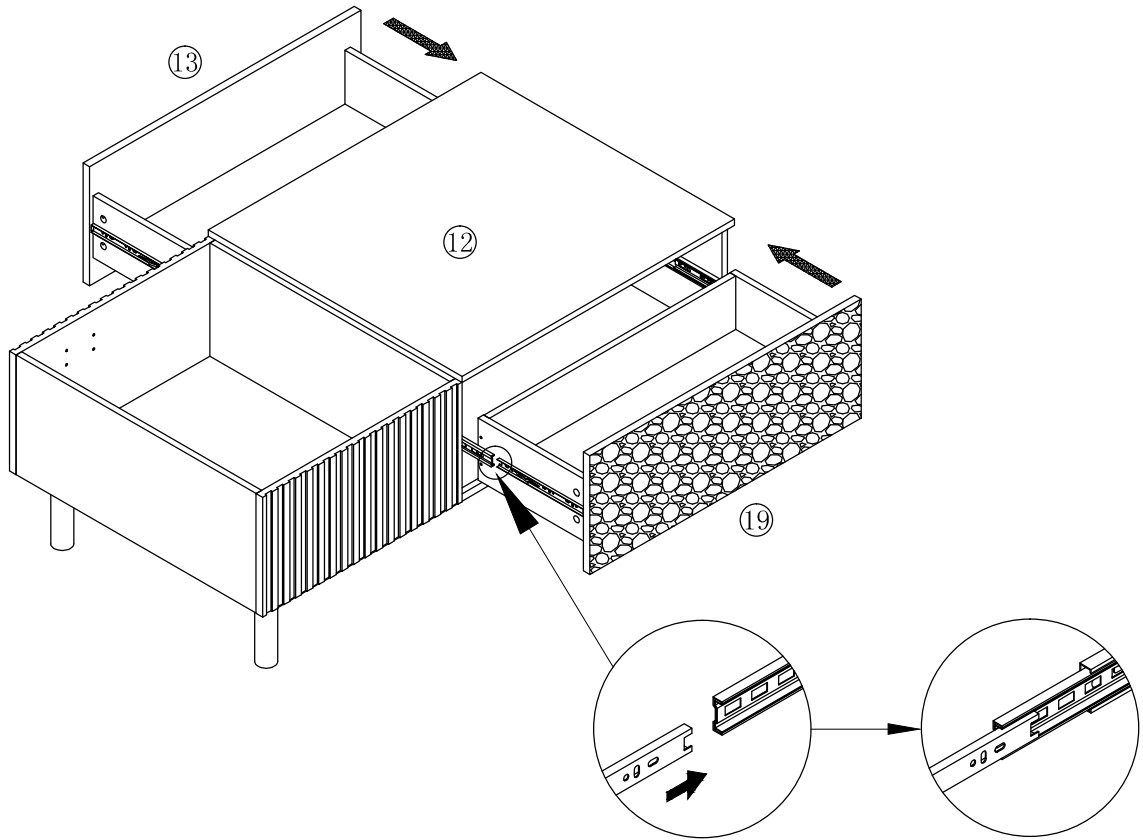
# Step 12




B	16PCS
Ø15*10mm	
C	8PCS
Ø3.5*14	
F2	4PCS
12"	
H	8PCS
Ø3.5*40	

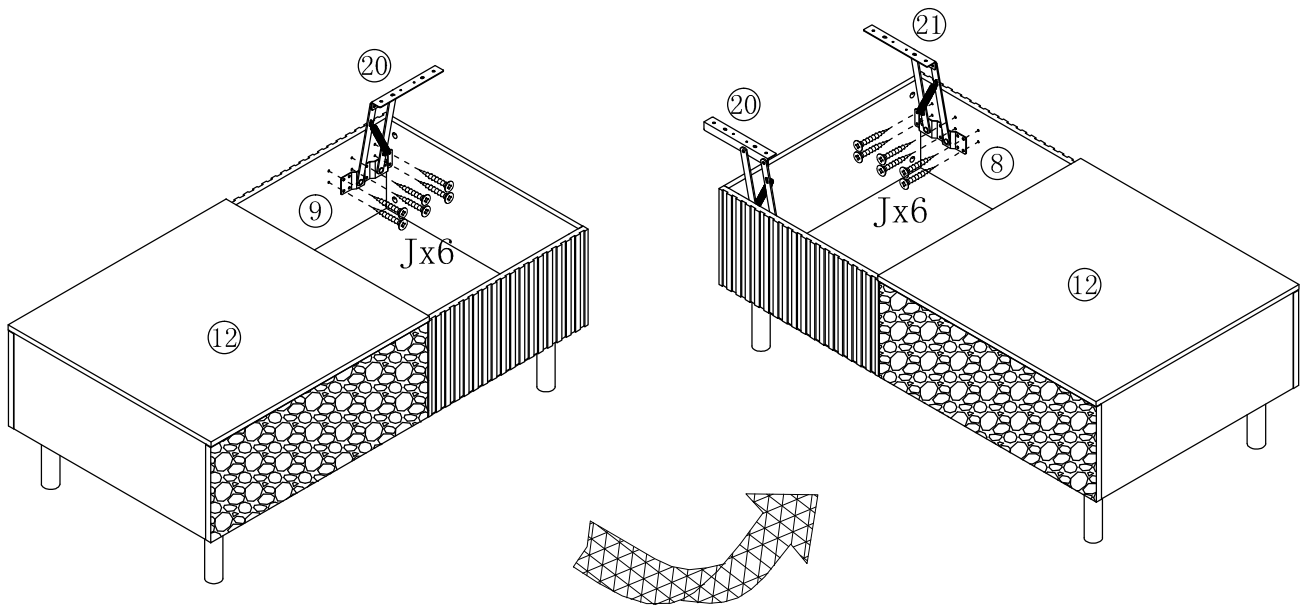
**x2**

# Step 13



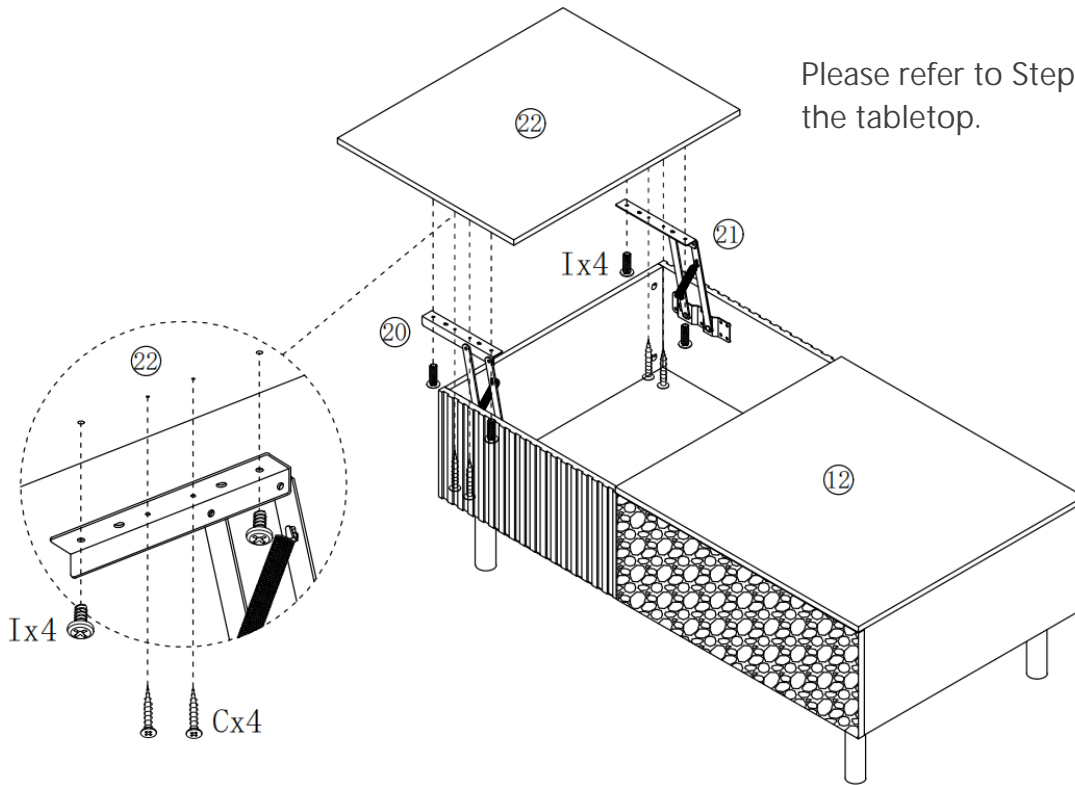
# Step 14



J | 12PCS  
  
Ø5\*14mm



## Step 15

Install Panel 22 by first attaching Screw I, then closing the panel. Check and adjust the gaps on the tabletop. Once the gaps are properly aligned, finally tighten Screw I and Screw C securely.



C	4PCS
	
Ø3.5*14	
I	4PCS
	
M6*12mm	

## Step 16

To close the tabletop, gently push it forward in the direction of the arrow. Do not apply excessive downward force, as this may damage the components.

