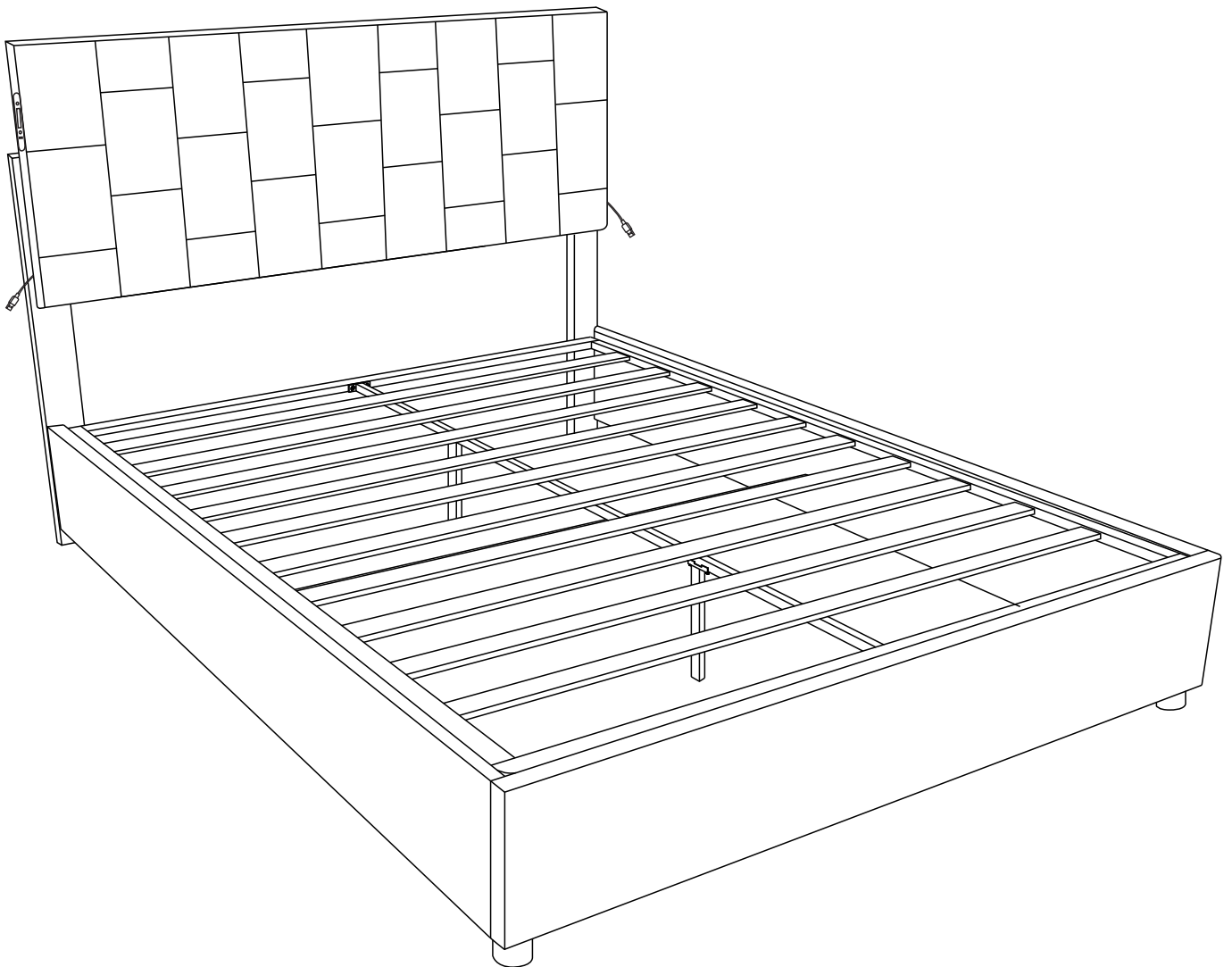


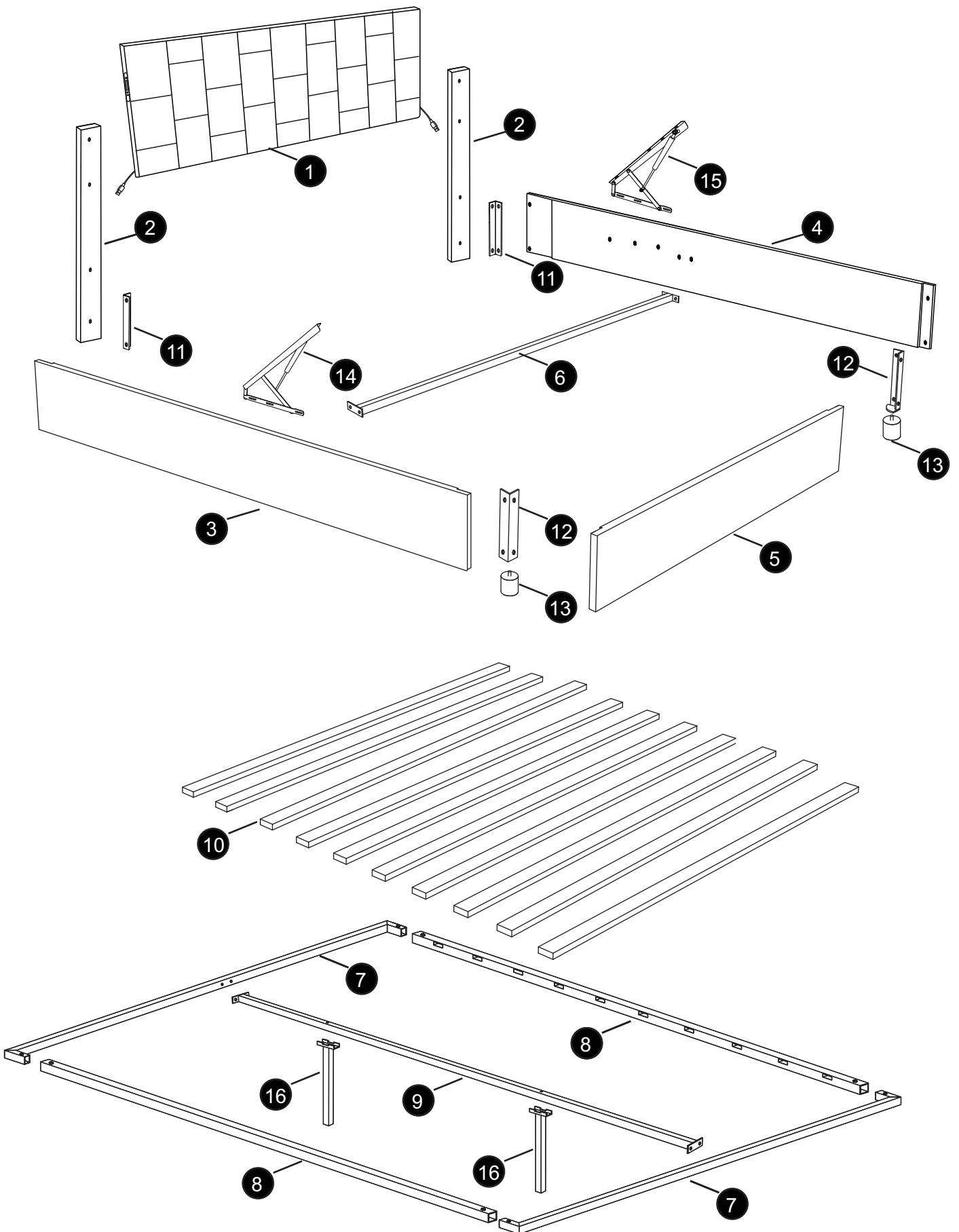
# ASSEMBLY INSTRUCTIONS

## QUEEN BED



WF315343AAA/WF315344AAA  
WF315343AAH/WF315344AAH

# ASSEMBLY INSTRUCTIONS

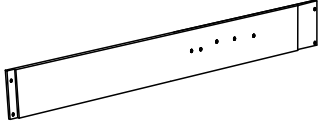


# ASSEMBLY INSTRUCTIONS

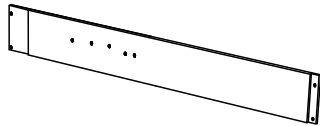
## PARTS LIST

WF315344AAA/WF315344AAH

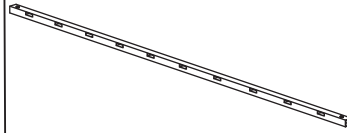
3 x1



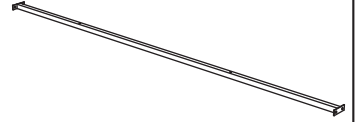
4 x1



8 x2

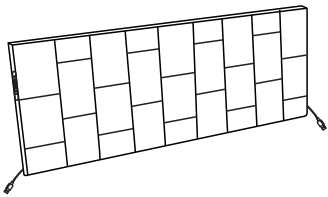


9 x1

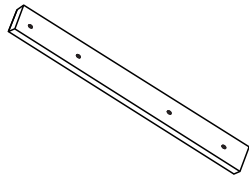


WF315343AAA/WF315343AAH

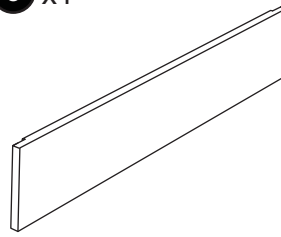
1 x1



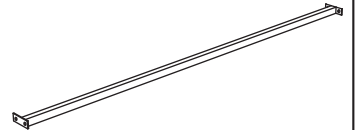
2 x2



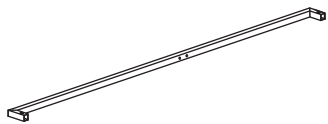
5 x1



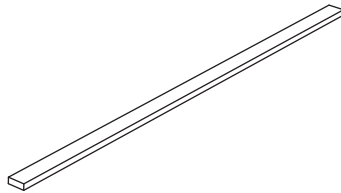
6 x1



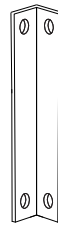
7 x2



10 x10



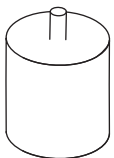
11 x2



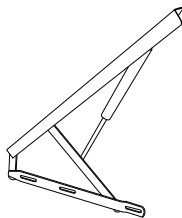
12 x2



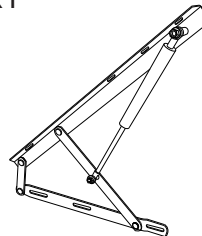
13 x2



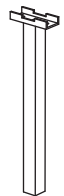
14 x1



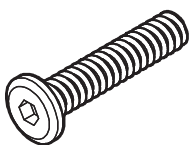
15 x1



16 x2



A: x16



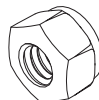
M8\*40mm

B: x30

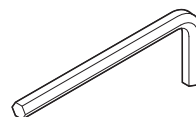


M8\*20mm

C: x4

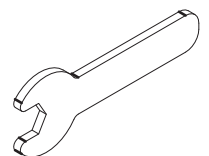


D: x1



Allen Key M8

E: x1



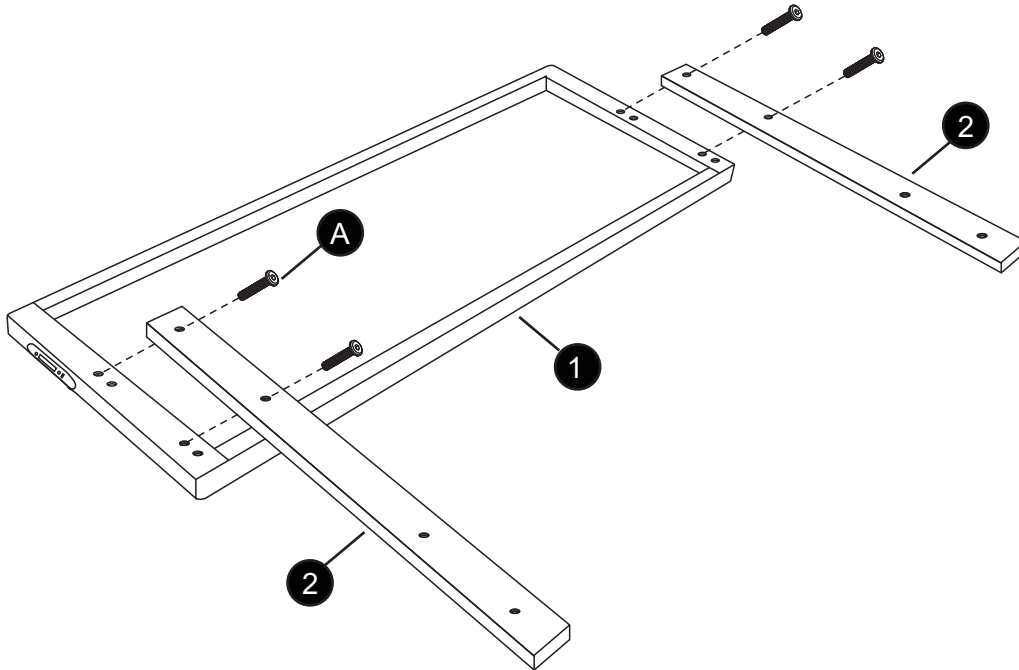
Wrench

# ASSEMBLY INSTRUCTIONS

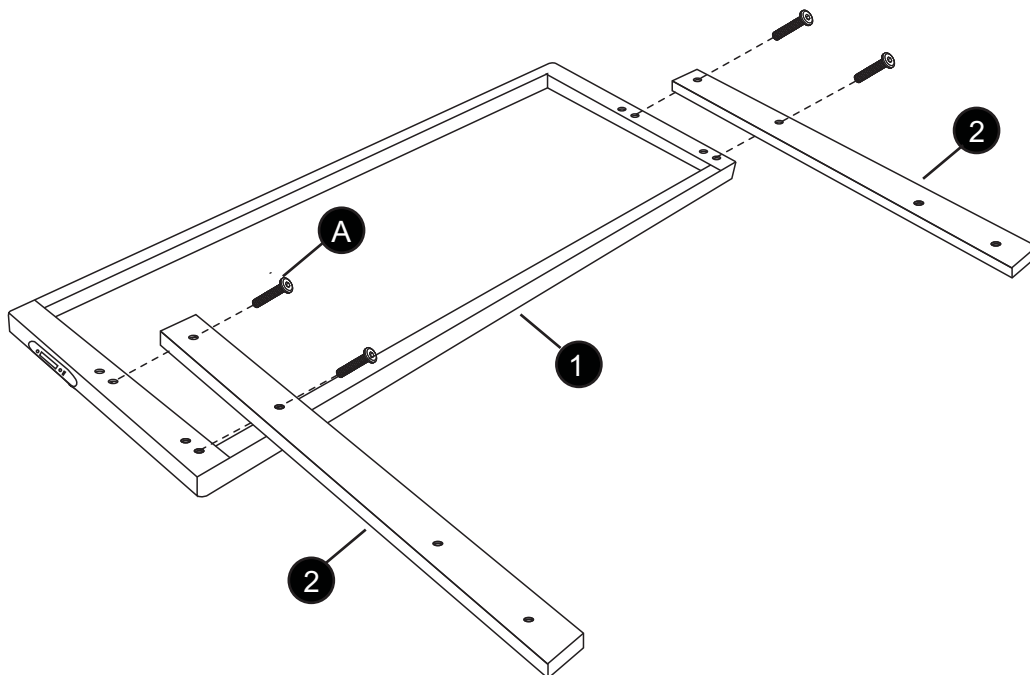
## PARTS LIST

### STPE 1

Method1



Method2

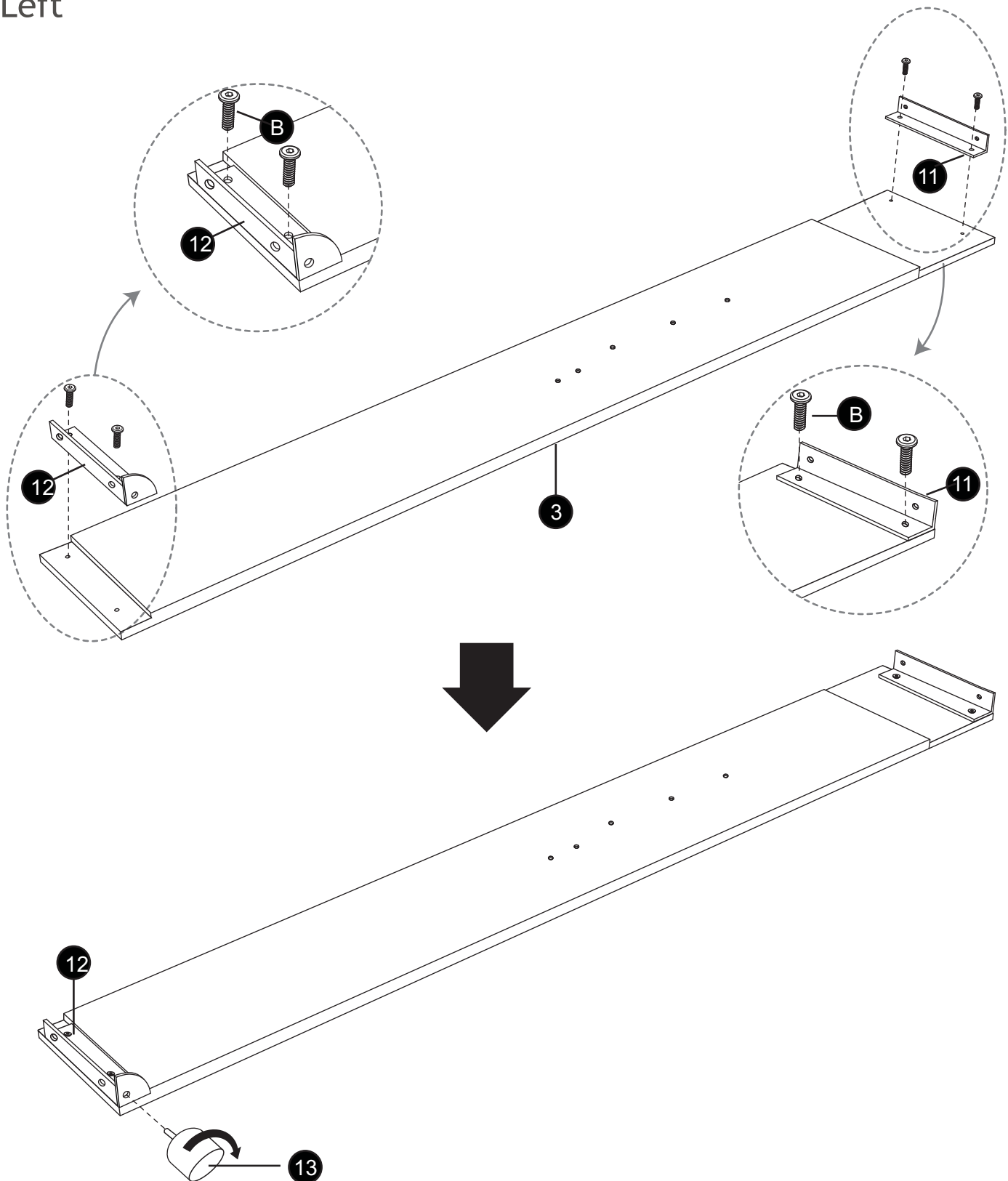






|   |   |         |   |
|---|---|---------|---|
| A |  | M8*40mm | 4 |
|---|---|---------|---|

# ASSEMBLY INSTRUCTIONS

## STPE 2

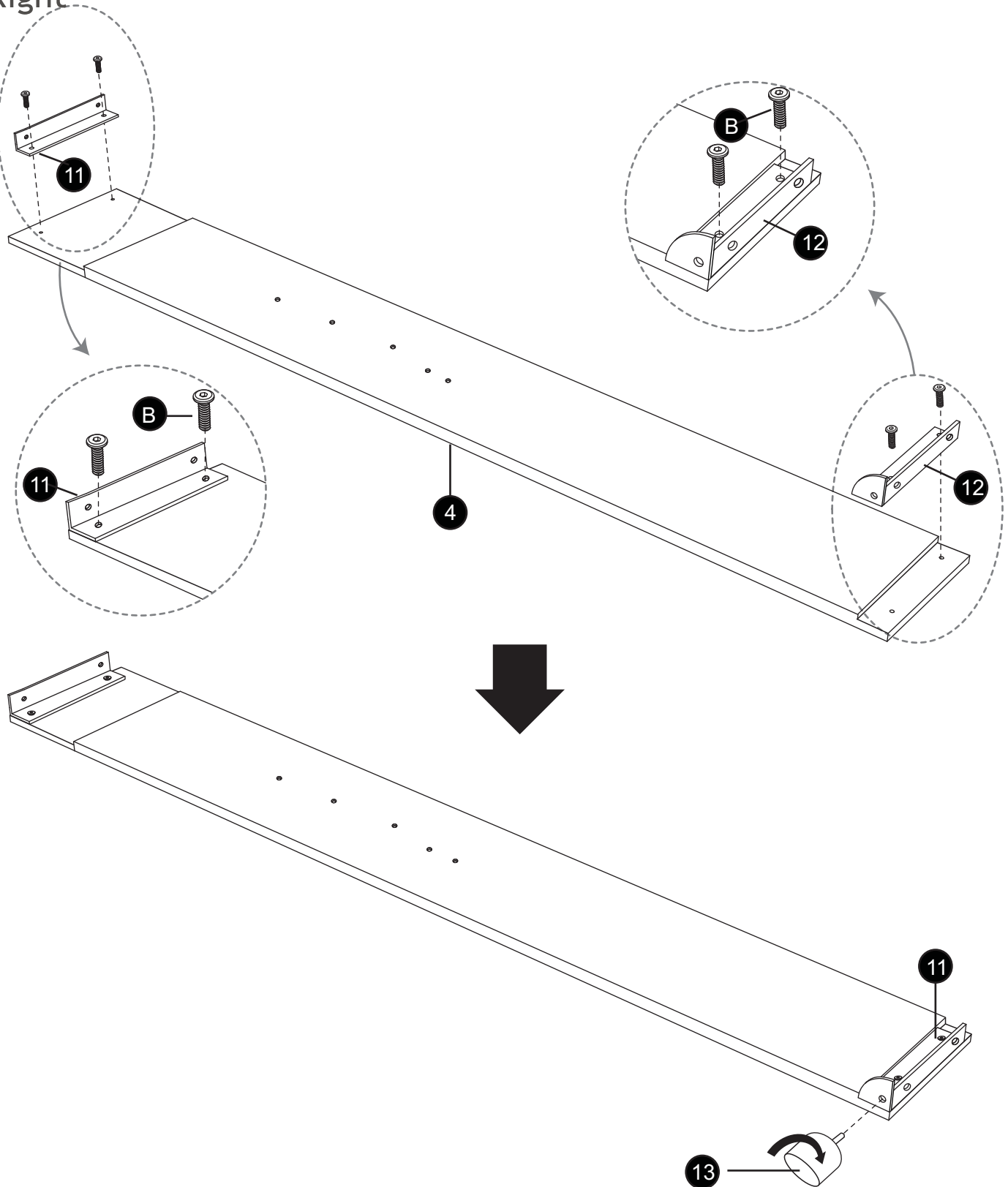
Left

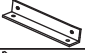
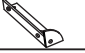




|    |   |   |
|----|---|---|
| 11 |          | 1 |
| 12 |          | 1 |
| 13 |          | 1 |
| B  |  M8*20mm | 4 |

# ASSEMBLY INSTRUCTIONS

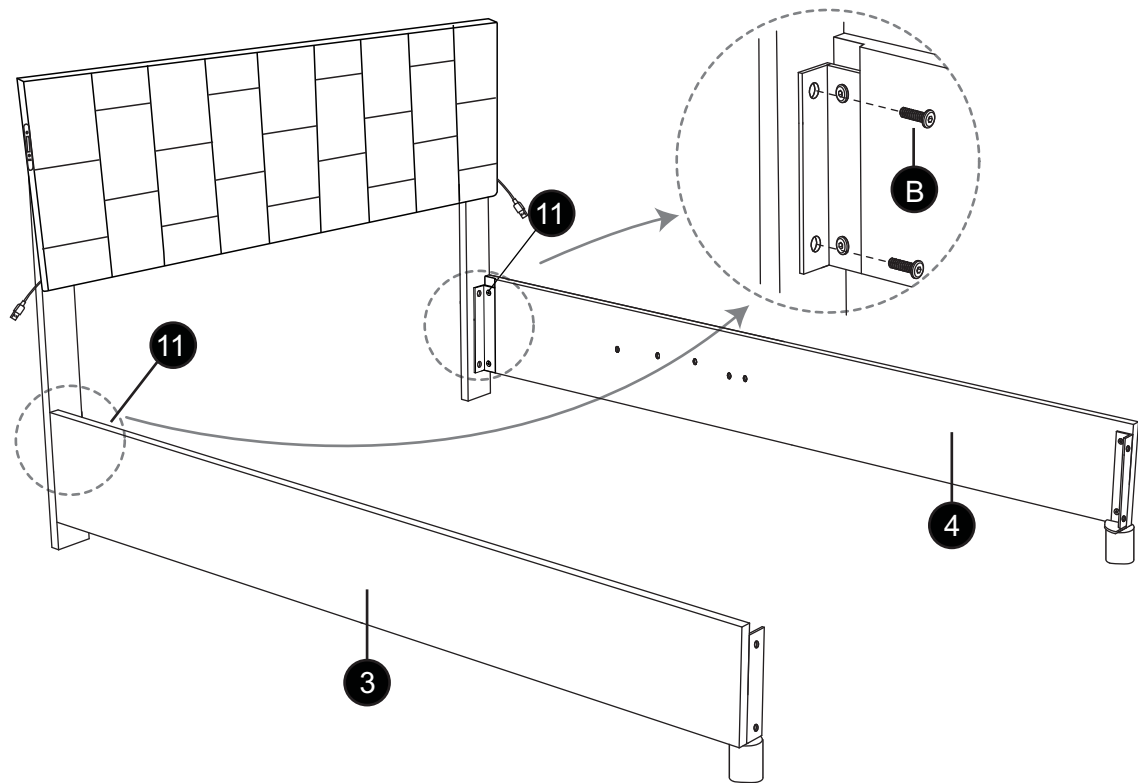
## STEP 3 Right




|    |   |   |
|----|---|---|
| 11 |          | 1 |
| 12 |          | 1 |
| 13 |          | 1 |
| B  |  M8*20mm | 4 |

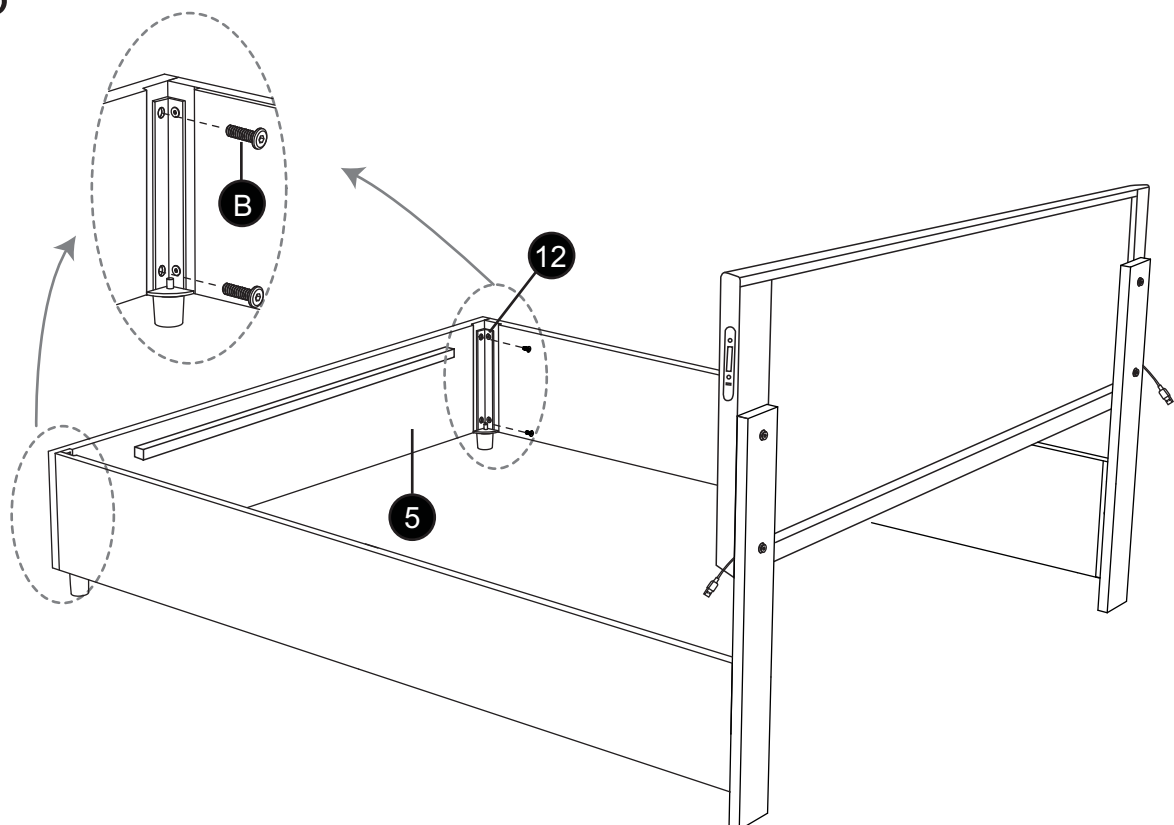
# ASSEMBLY INSTRUCTIONS

## STPE 4



B  M8\*20mm 4

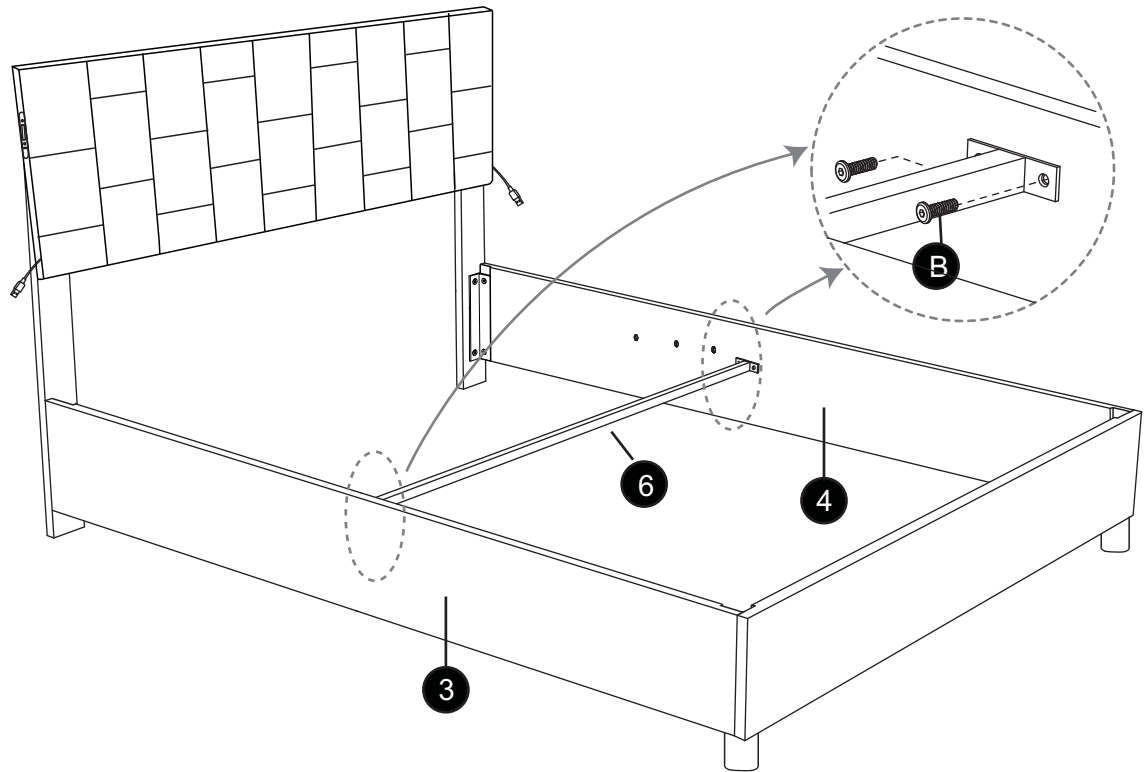
## STPE 5



B  M8\*20mm 4

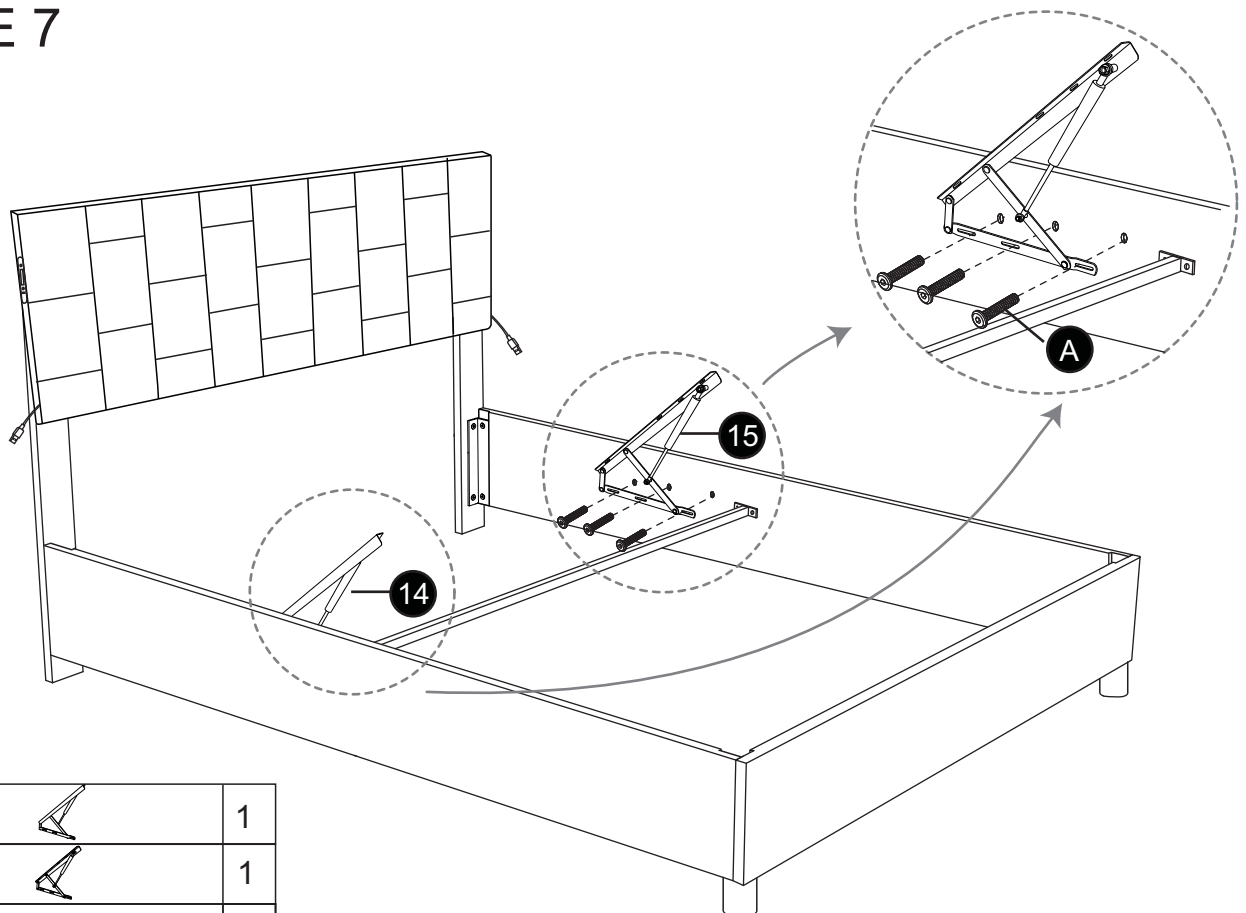
# ASSEMBLY INSTRUCTIONS


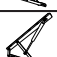

## STPE 6



|   |   |         |   |
|---|---|---------|---|
| B |  | M8*20mm | 4 |
|---|---|---------|---|

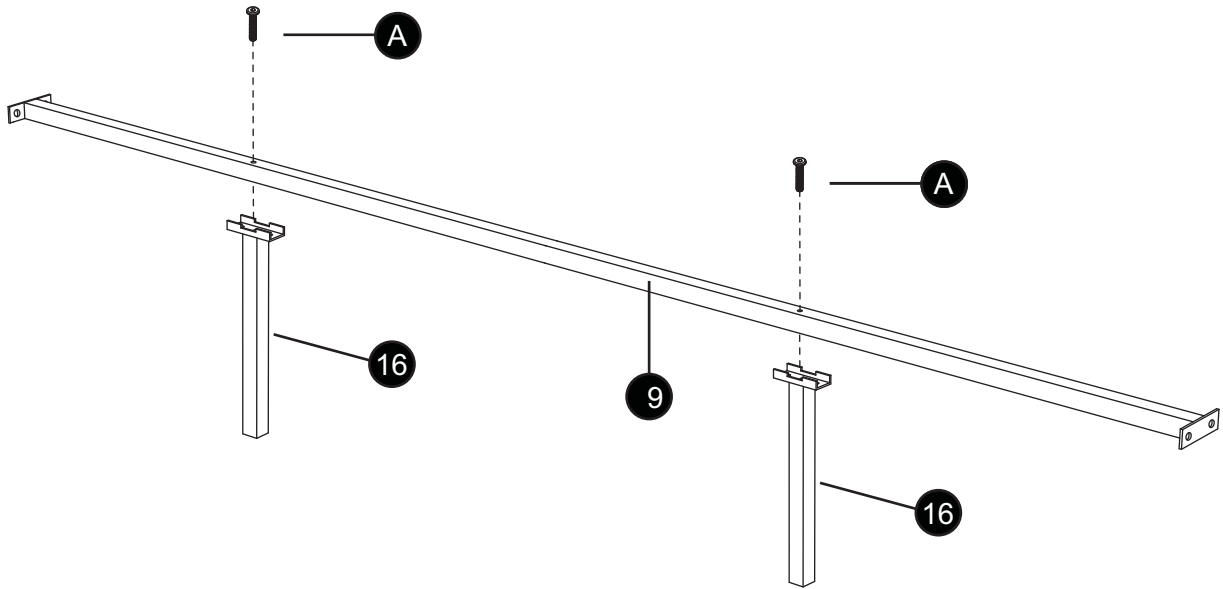
## STPE 7





|    |   |         |   |
|----|---|---------|---|
| 14 |  |         | 1 |
| 15 |  |         | 1 |
| A  |  | M8*40mm | 6 |

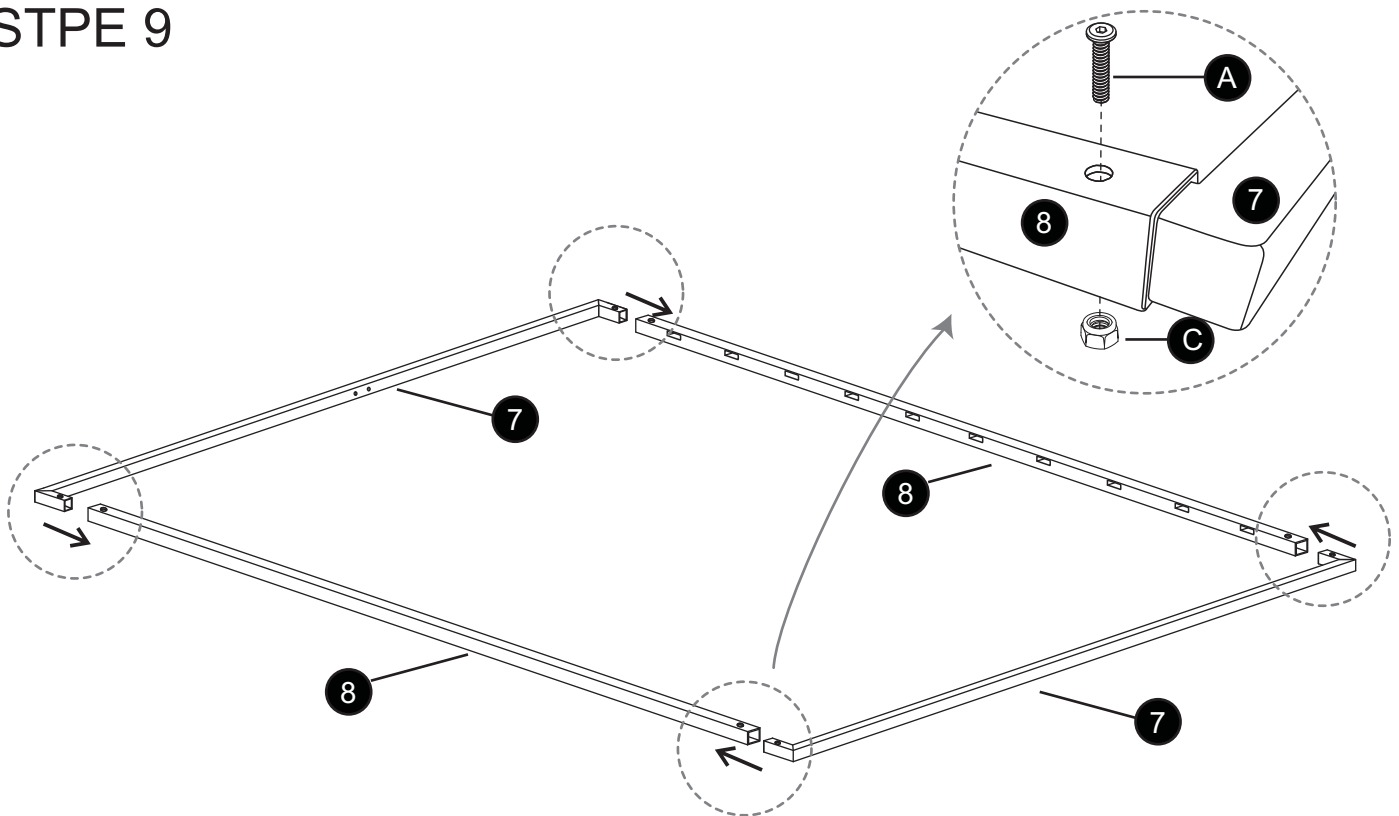
# ASSEMBLY INSTRUCTIONS

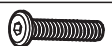

## STPE 8



|    |   |   |
|----|---|---|
| 16 |          | 2 |
| A  |  M8*40mm | 2 |

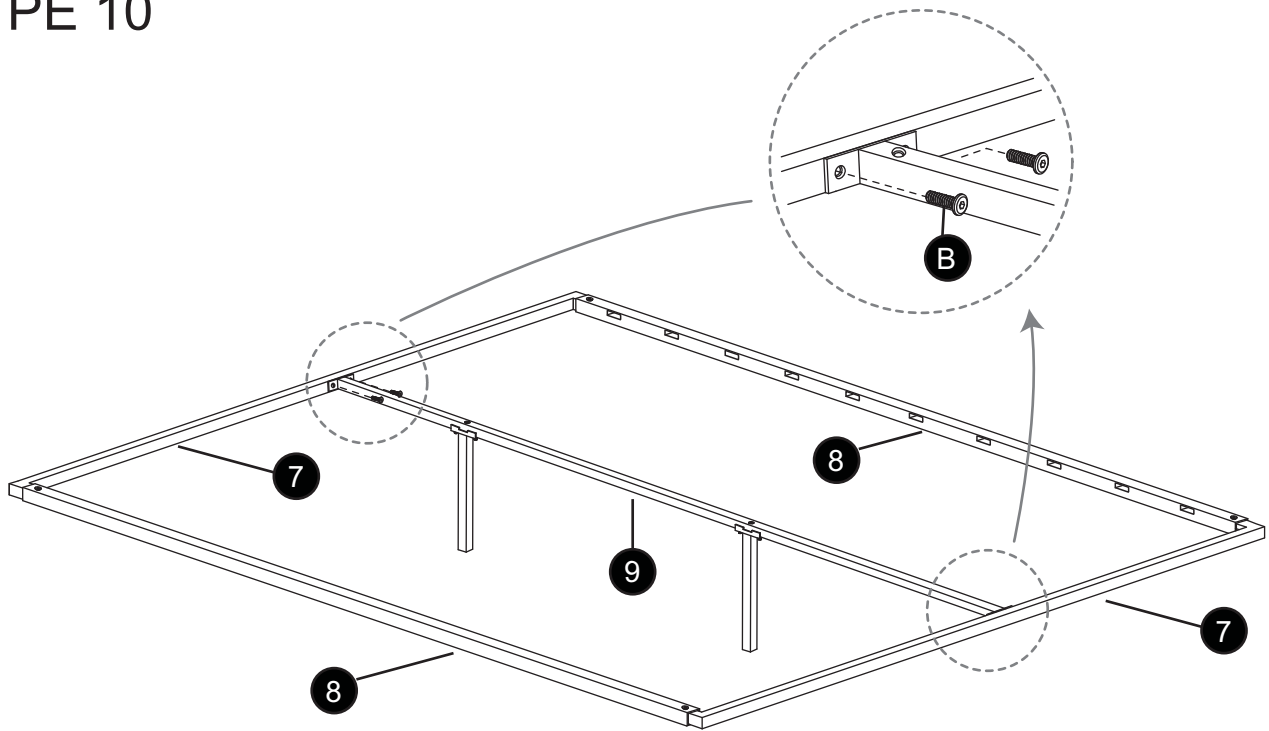
## STPE 9



|   |   |   |
|---|---|---|
| A |  M8*40mm | 4 |
| C |  M8      | 4 |

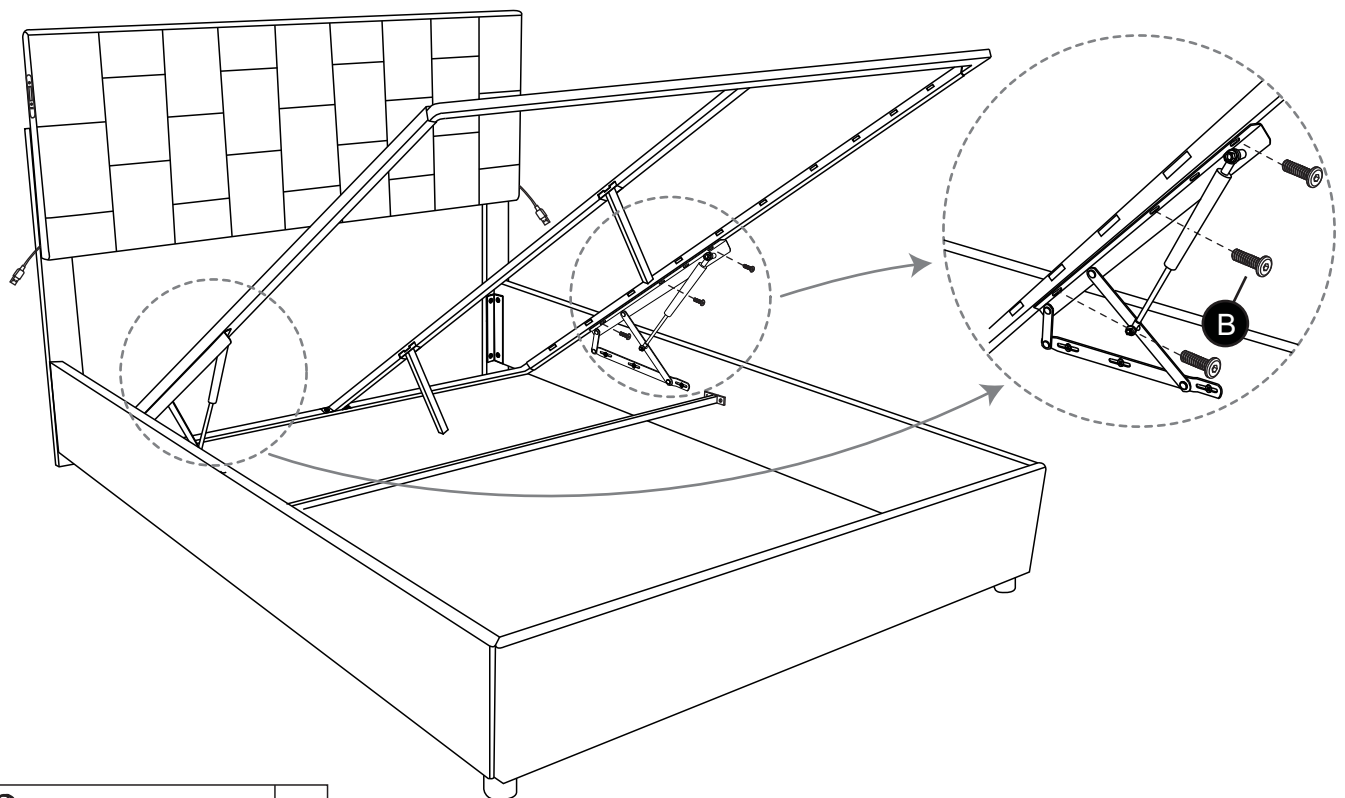
# ASSEMBLY INSTRUCTIONS

## STPE 10



B  M8\*20mm 4

## STPE 11



B  M8\*20mm 6

# ASSEMBLY INSTRUCTIONS

## STEP 12

