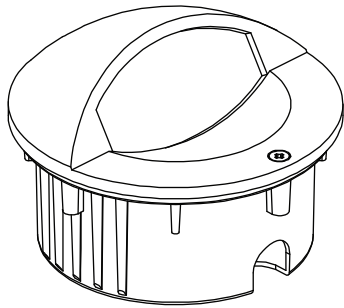


Installation Guide



VONN Lighting
Model: VOS50128



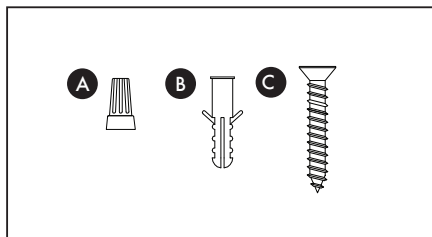
LED INFO & WARNINGS

- Please read and comprehend the entire manual before attempting to assemble, operate, or install the product.
- Make sure that you have all necessary parts by checking the parts list. If any part is missing or damaged, please contact **VONN Lighting Customer Service at 888-604-8666** for a replacement.
- All parts must be used as indicated in these instructions. Do not substitute any parts, leave parts out, or use any parts that are worn or broken.
- Inspect the LED fixture prior to installation to make sure that it has not been damaged during shipping.
- Please handle the LED light with care when unpacking. Do not apply pressure to the LED's, do not open any factory sealed compartments, and do not touch the LEDs with your hands.

VONN highly recommends to use a qualified, licensed electrician to install the fixture.

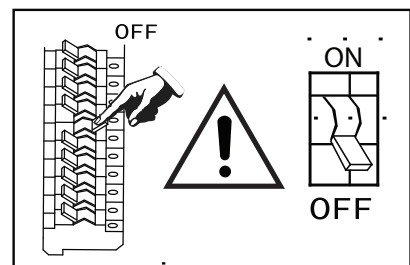
- Do not remove or replace VONN manufactured parts that are provided with the fixture.
- Shut "OFF" the electricity at main fuse box.
- 12V AC Low Voltage Fixture (TRANSFORMER IS REQUIRED)

Parts List

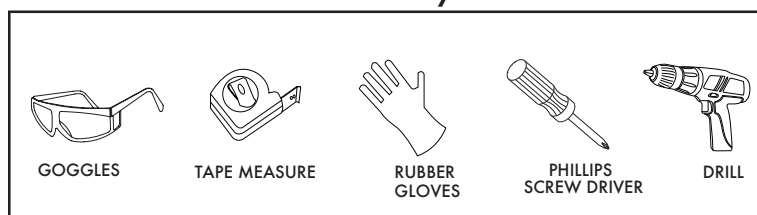


- A. Wire Connectors x 4
- B. Anchors x 3
- C. Anchor Screws x 3

Circuit Box



Tools You May Need



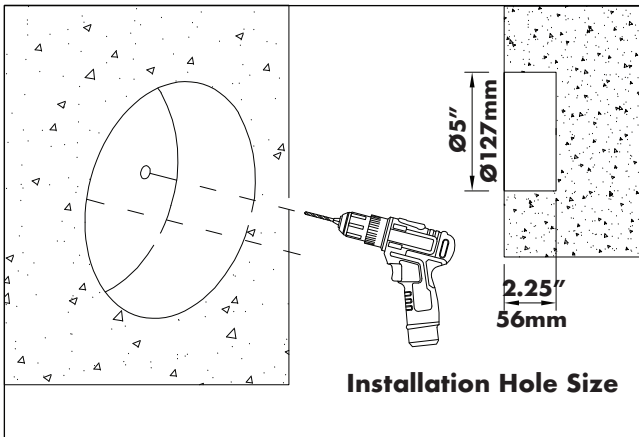
Legend

L = Live/Hot/Black

N = Neutral/White

 = Ground/Green

VONN

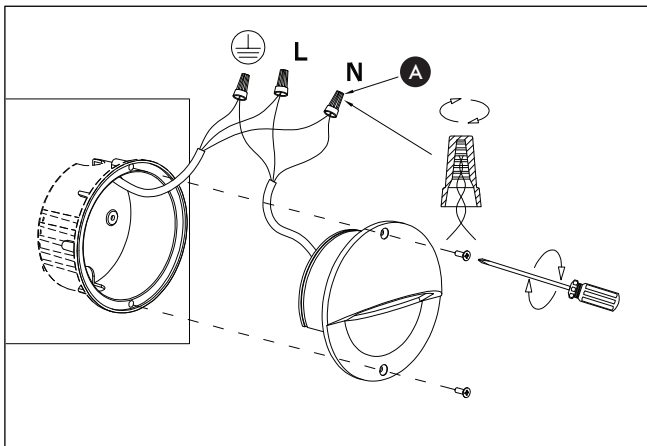
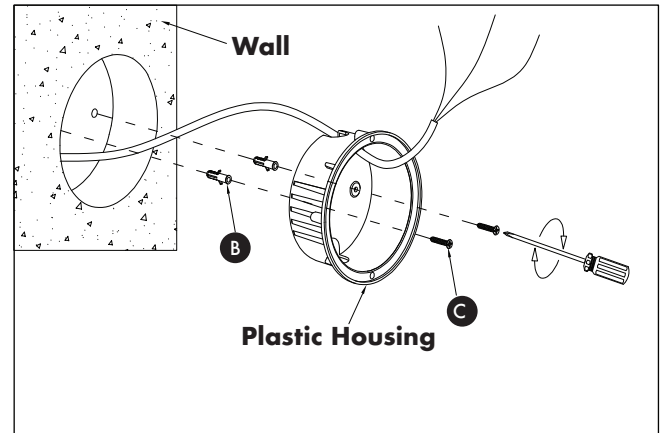


1. Prepare Hole

- Cut installation hole for plastic housing.
- Drill hole for anchors (B).

2. Install Plastic Housing

- Insert anchors (B) into drilled holes.
- Thread supply wires through plastic housing.
- Insert plastic housing into drilled hole.
- Secure plastic housing with anchor screws (C).



3. Connect Supply Wires and Install Light

- Connect Black (Line Wire) from fixture to power Black (Hot Wire).
- Connect White (Neutral Wire) from fixture to power White (Neutral Wire).
- Ground Wires:**
- Connect Green (Ground Wire) from fixture to supply Green (Ground Wire).
- Twist wires together clockwise and secure with wire connector (A).
- Tuck wires into plastic housing. Insert fixture plastic housing and secure with screws.

4. Turn Power ON

- Turn electricity "ON" at main fuse box.

Circuit Box

