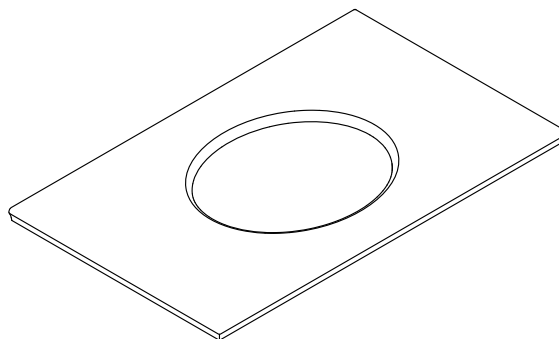


Features

- Solid Surface
- Pilot holes for 8" (203 mm) widespread, 4" (102 mm) centerset, or single faucet
- 37-5/8" (956 mm) x 22-13/16" (579 mm)
- Pre-cut for Verticyl® (K-2881) or other 17" (432 mm) x 14" (356 mm) oval under-mount bathroom sink (required)

Components

Additional included component/s: Mounting Screws.



Codes/Standards

None Applicable

KOHLER® One-Year Limited Warranty

See website for detailed warranty information.

Available Color/Finishes

Color tiles intended for reference only.

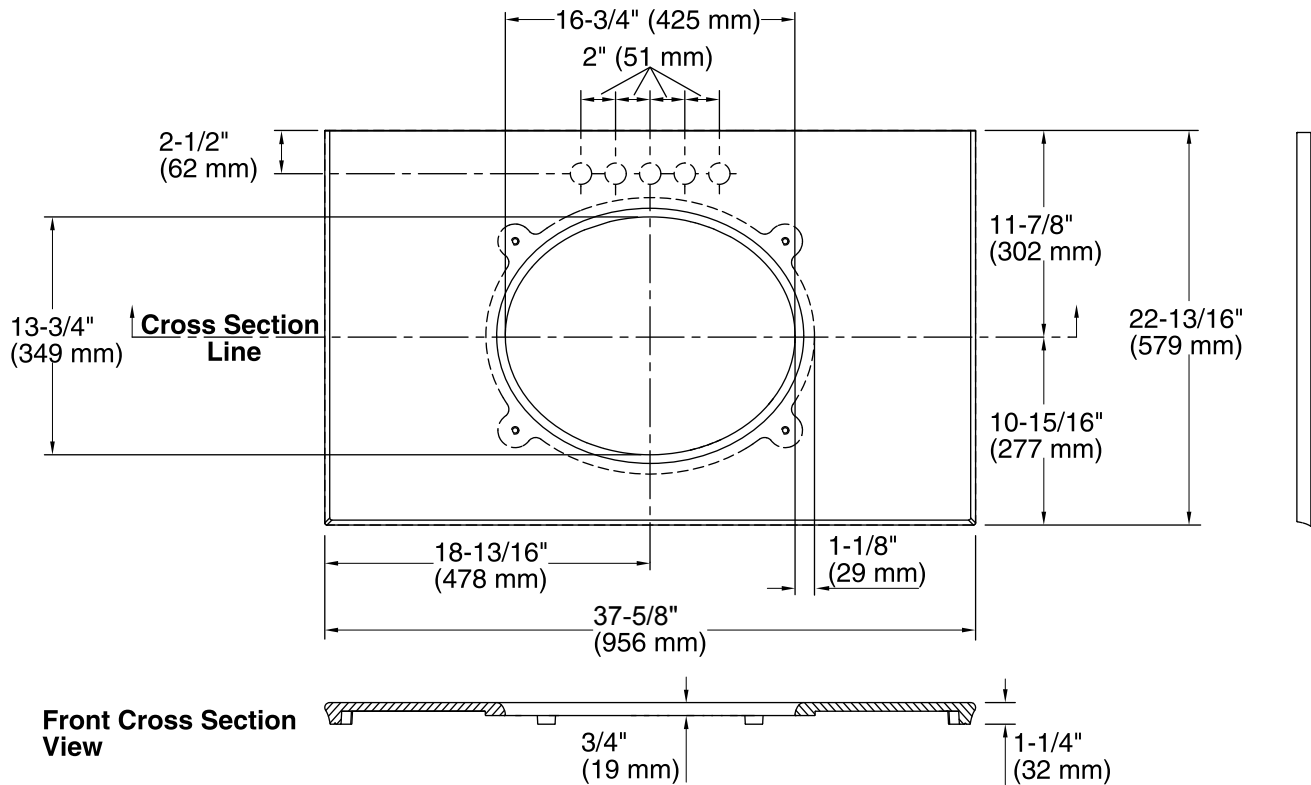
Color	Code	Description
-------	------	-------------

S33

S34

S35

S36



Technical Information

All product dimensions are nominal.

Bowl configuration: Single

Installation: Vanity top

Bowl area (Only) Length: 16-3/4" (425 mm)
Width: 13-3/4" (349 mm)

Notes

Install this product according to the installation guide.

Observe all local plumbing and building codes.

This countertop is designed to be installed with a KOHLER or standard-size vanity.

Faucet hole and sink-mounting locations are marked on the underside of the countertop.