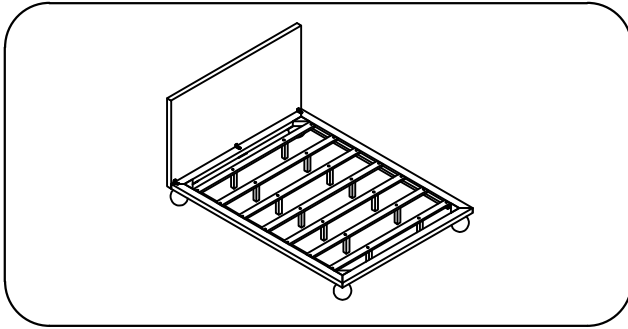


# ASSEMBLY INSTRUCTIONS

## KING BED



**+ Do Not Use Power Tools**

**+ Suggested Adults**

**NOTE:**

- 1 Read instructions cover to cover.
- 2 Save all packaging until assembly is completed.

### 1 IMPORTANT SAFETY INFORMATION

**Do not** assemble the product if any of the following parts arrived damaged:

Part 1 - <b>HEADBOARD</b>	Part 4 - <b>SUPPORT LEG</b>
Part 2 - <b>BED FRAME</b>	Part 5 - <b>LEG BALL</b>
Part 3 - <b>BED SLAT</b>	

**Do not** assemble if any of the following Hardware parts are missing:

Part A - <b>Flat Washer</b>	Part D - <b>Allen Key</b>
Part B - <b>Spring Washer</b>	Part F + H - <b>L Bracket</b>
Part C + E - <b>Bolt</b>	Part G - <b>Screw</b>

### 2 IMPORTANT ASSEMBLY INFORMATION

**Assembly Step** If loosening persists, please make sure to tighten all the bolts periodically, or use a thread locker adhesive.

### + Parts Included

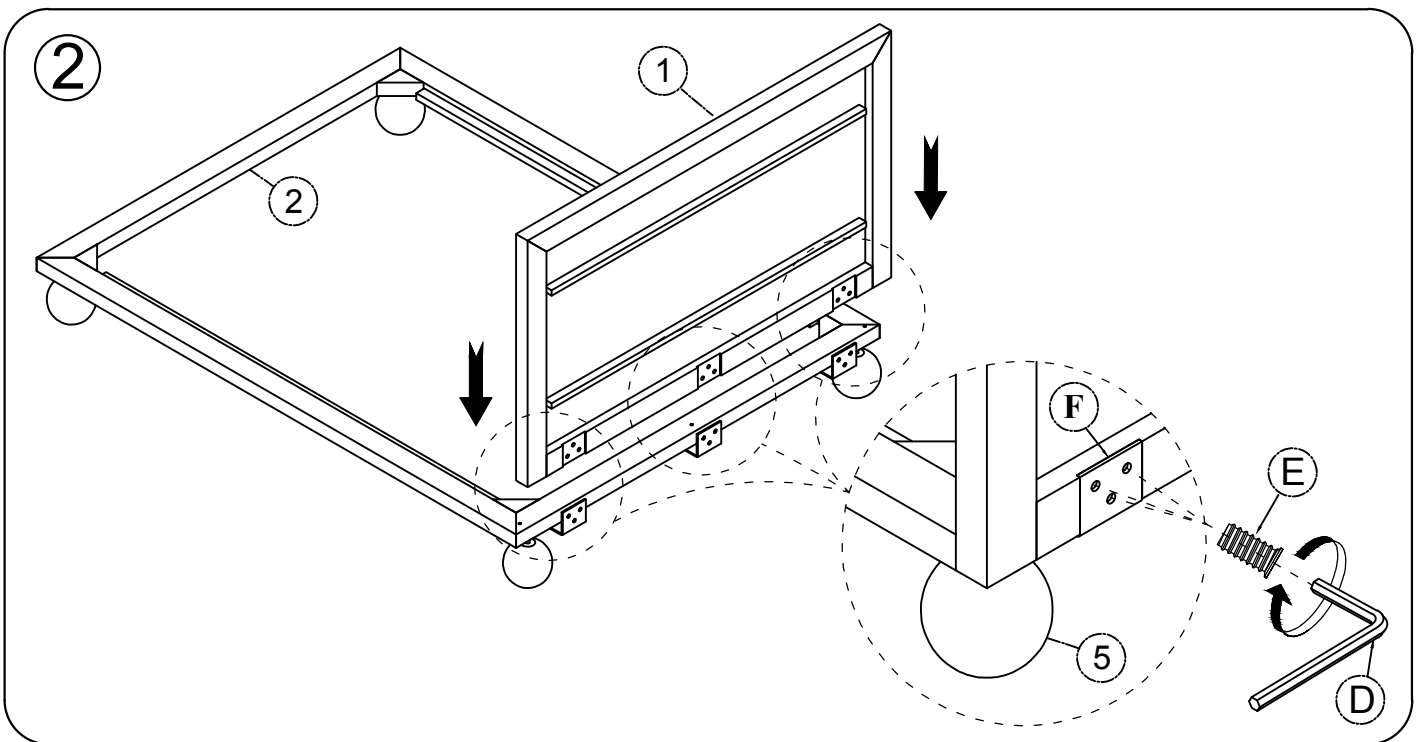
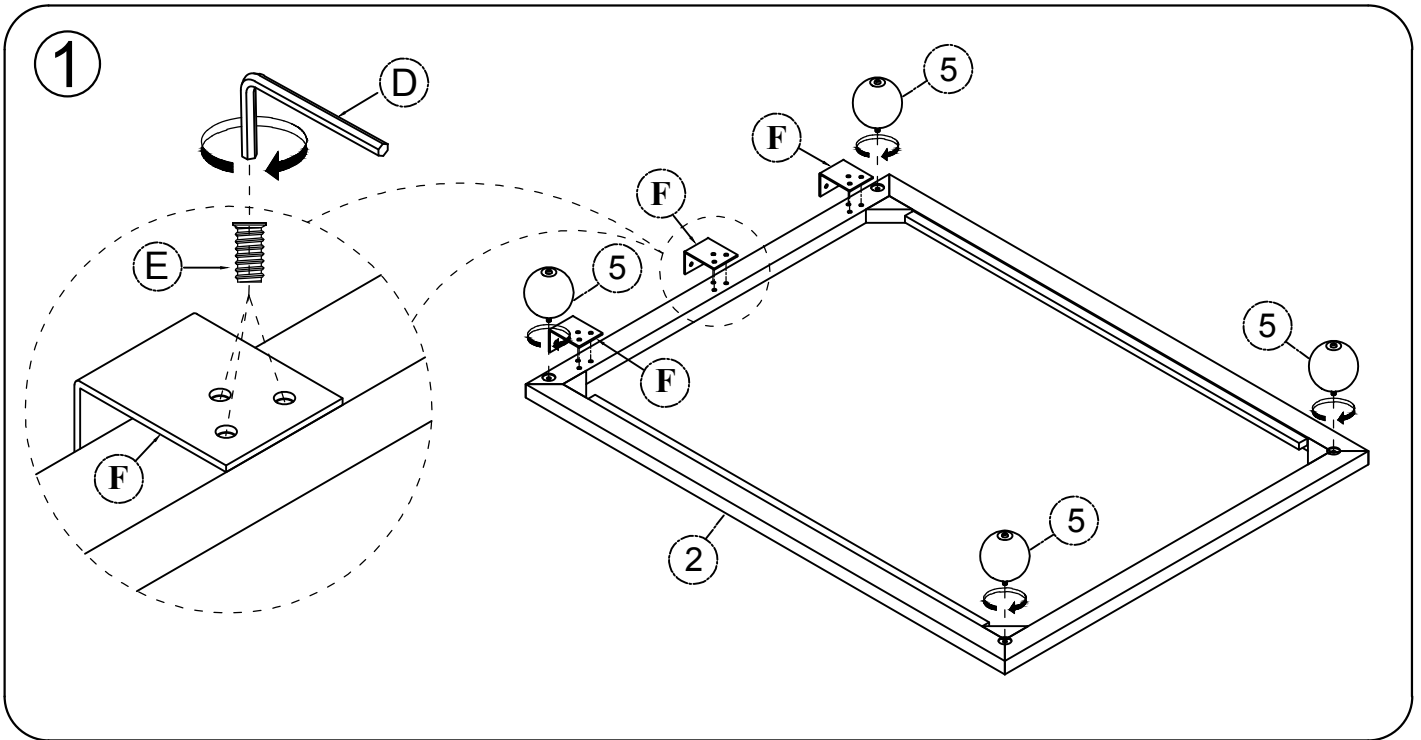
① <b>HEADBOARD</b> (1 pc)	
② <b>BED FRAME</b> (1 pc)	
③ <b>BED SLAT</b> (7 pcs)	
④ <b>SUPPORT LEG</b> (14 pcs)	
⑤ <b>BED BALL</b> (4 pcs)	

### + Hardware Included

<b>A: Flat Washer</b> (1/4"xØ16) (6 pcs) 	<b>B: Spring Washer</b> (1/4"x Ø12) (6 pcs) 
<b>C: Bolt</b> (1/4" x 1") (6 pcs) 	<b>D: Allen Key</b> (#4 x 3-1/8") (1 pc) 
<b>E: Bolt</b> (5/16" x 1") (18 pcs) 	<b>F: Flat</b> 130*100*85*5mm (3 pcs) 
<b>H: Flat</b> 45*22*2mm (3 pcs) 	<b>G: Screw</b> (Ø4 x 30mm) (14 pcs) 

# ASSEMBLY INSTRUCTIONS

## KING BED



# ASSEMBLY INSTRUCTIONS

## KING BED

