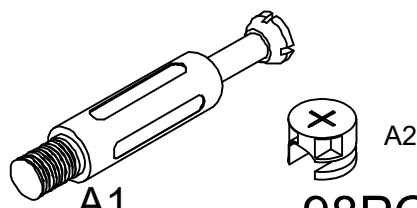
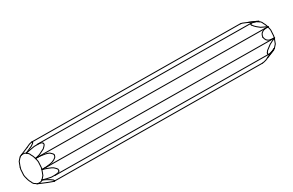
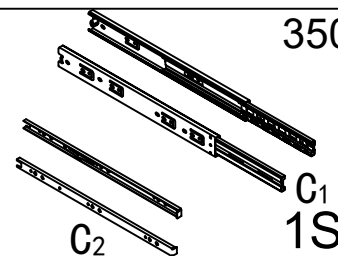
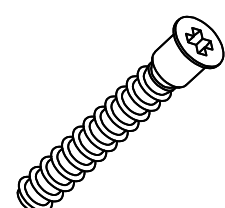
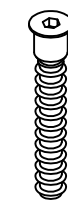
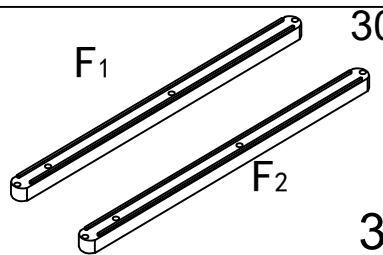




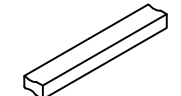
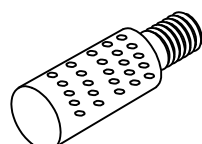
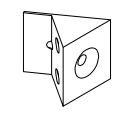
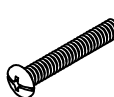
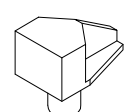
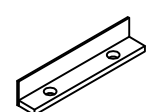
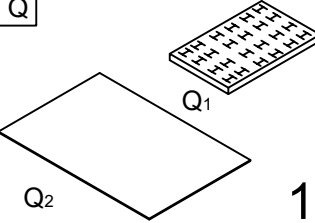


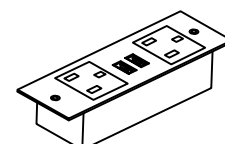
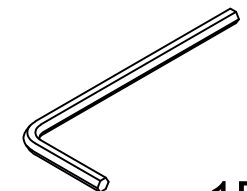
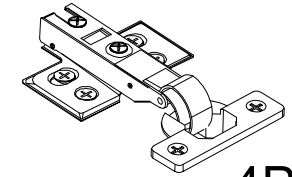
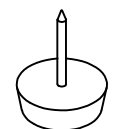
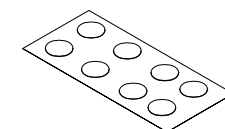

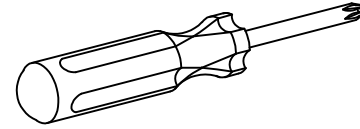
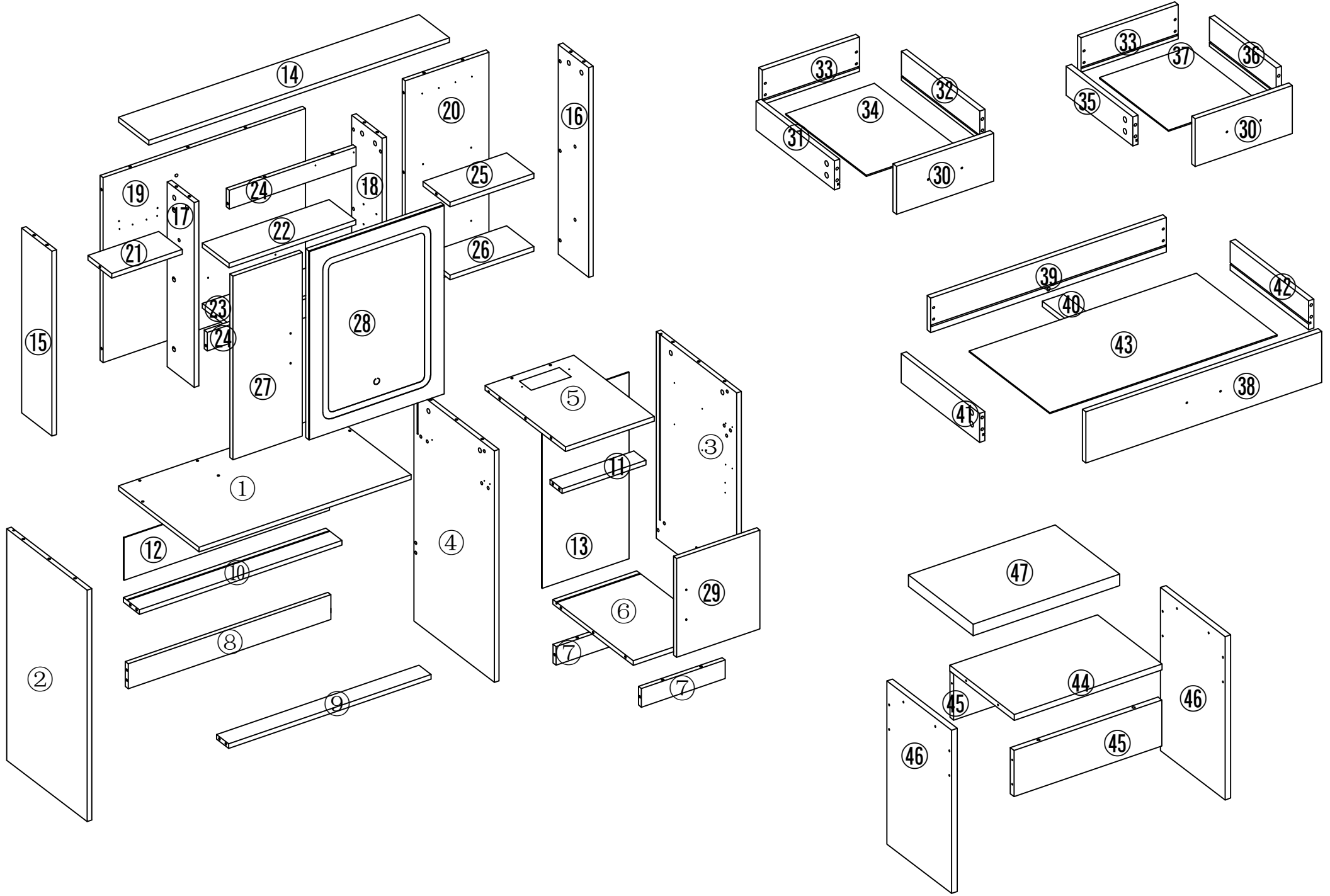
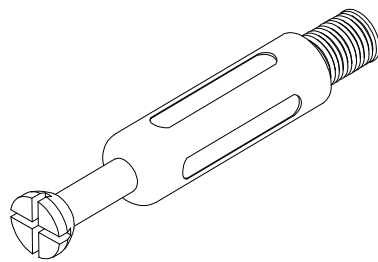


<p>A</p>  <p>A1 A2</p> <p>98PCS</p>	<p>B</p>  <p>8*40</p> <p>6PCS</p>	<p>C</p>  <p>350mm</p> <p>C1 C2</p> <p>1SET</p>	<p>D</p>  <p>7*50</p> <p>9PCS</p>	
<p>E</p>  <p>5*40</p> <p>20PCS</p>	<p>F</p>  <p>F1 F2</p> <p>300mm</p> <p>3SET</p>	<p>G</p>  <p>3.5*12</p> <p>8PCS</p>	<p>H</p>  <p>3.5*14</p> <p>42PCS</p>	
<p>I</p>  <p>3.5*20</p> <p>24PCS</p>	<p>J</p>  <p>3.5*35</p> <p>12PCS</p>	<p>K</p>  <p>5PCS</p>	<p>L</p>  <p>6PCS</p>	
<p>M</p>  <p>8PCS</p>	<p>N</p>  <p>4*18</p> <p>10PCS</p>	<p>O</p>  <p>4PCS</p>	<p>P</p>  <p>1PCS</p>	
<p>Q</p>  <p>Q1 Q2</p> <p>1PCS</p>	<p>R</p>  <p>13PCS</p>	<p>S</p>  <p>1PCS</p>	<p>T</p>  <p>1PCS</p>	<p>U</p>  <p>1PCS</p>
<p>U</p>  <p>4PCS</p>	<p>V</p>  <p>10PCS</p>	<p>W</p>  <p>18PCS</p>	<p>X</p>  <p>3PCS</p>	<p>Y</p>  <p>1PCS</p>

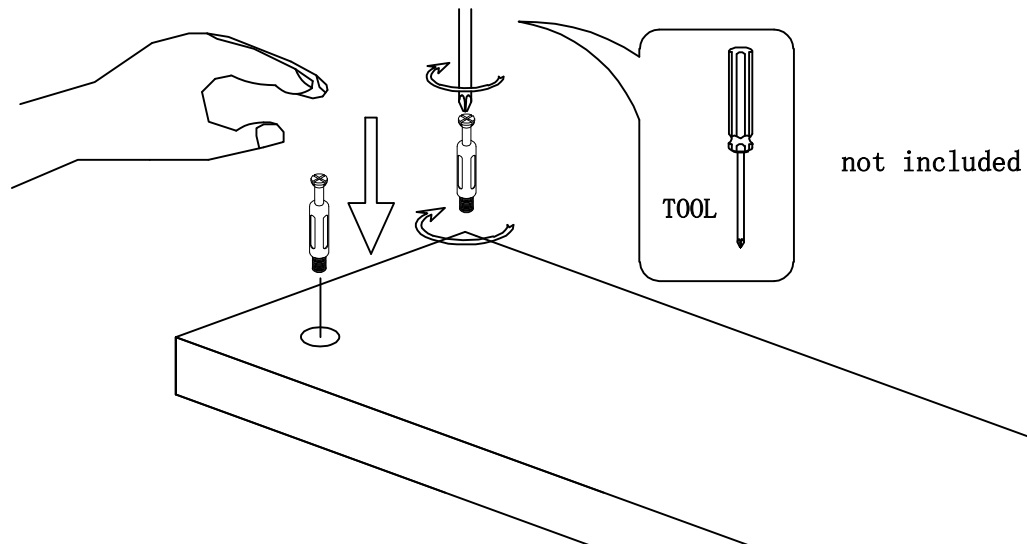


"A" Hardware installation example

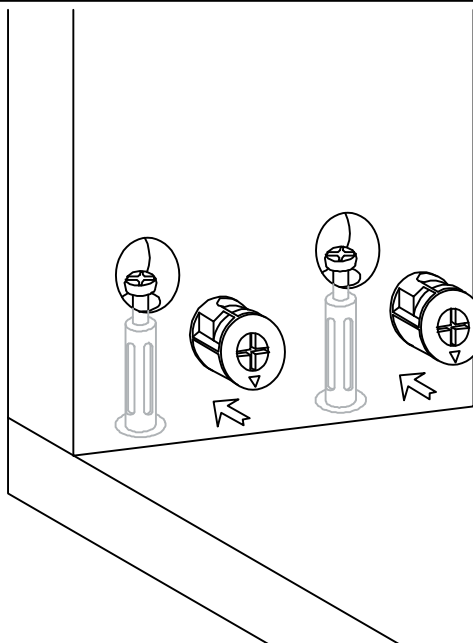
I



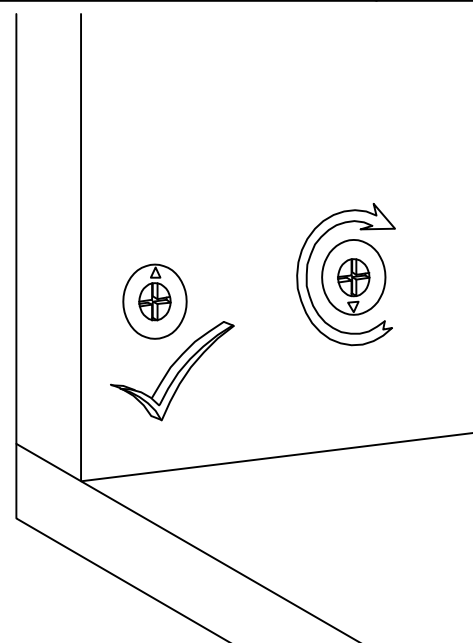
II



III

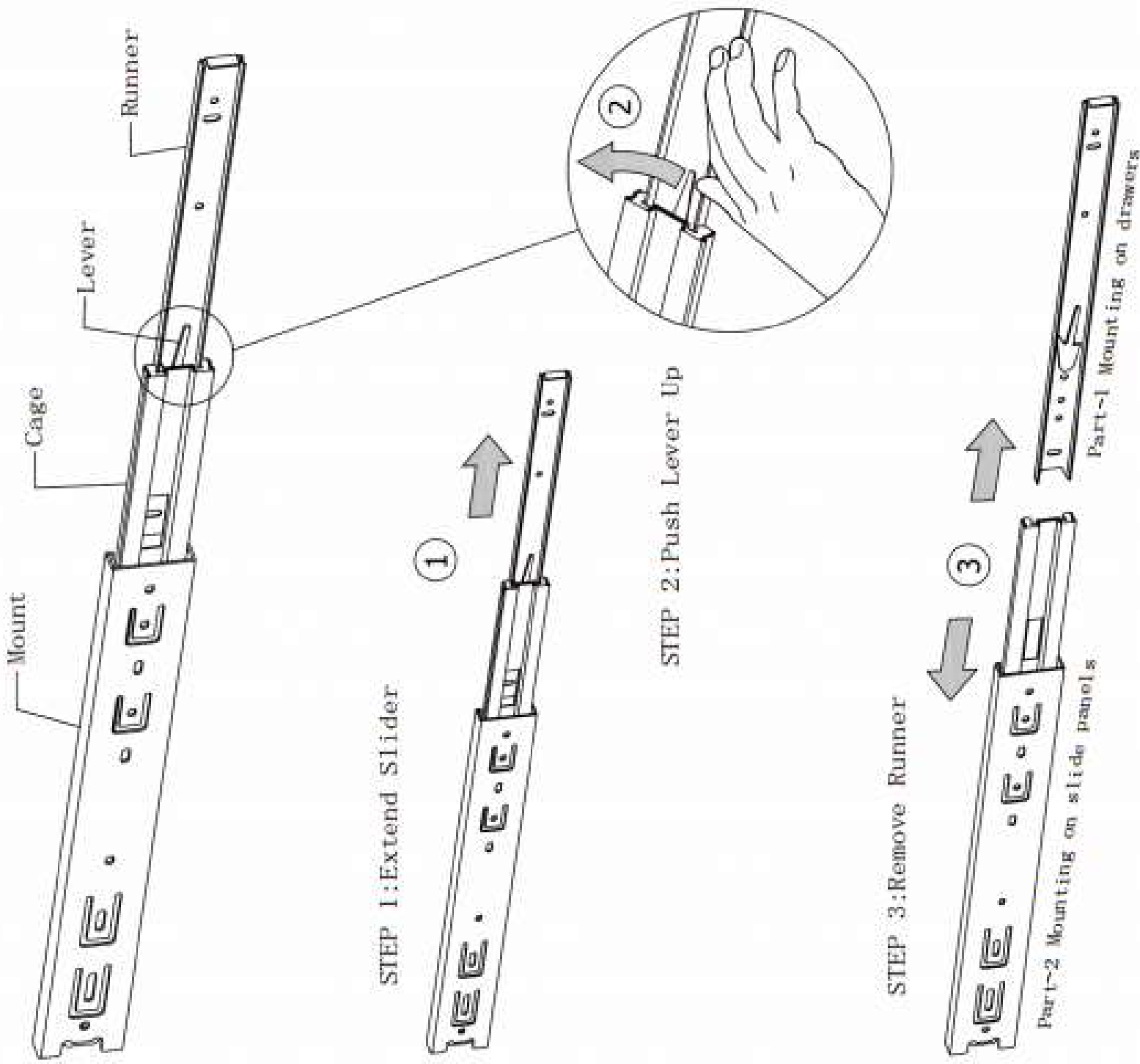


IV

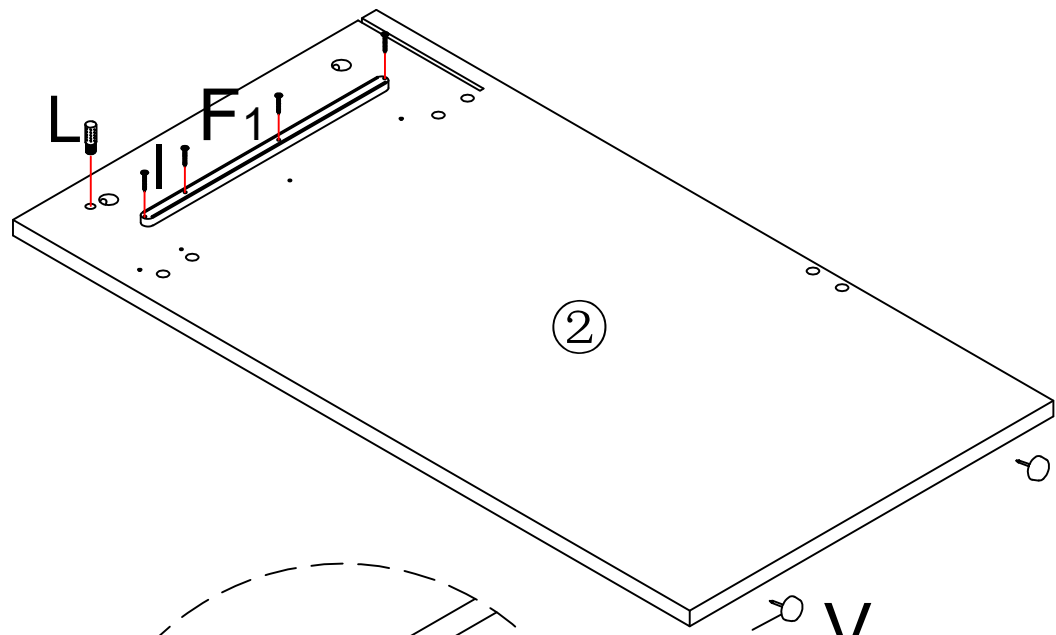


Warm Reminder

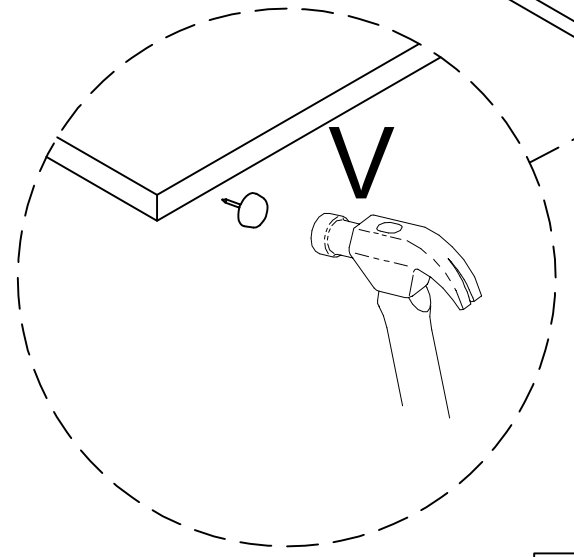
Before installing the drawer rail, you need to separate the Part-1 and Part-2 first.



1

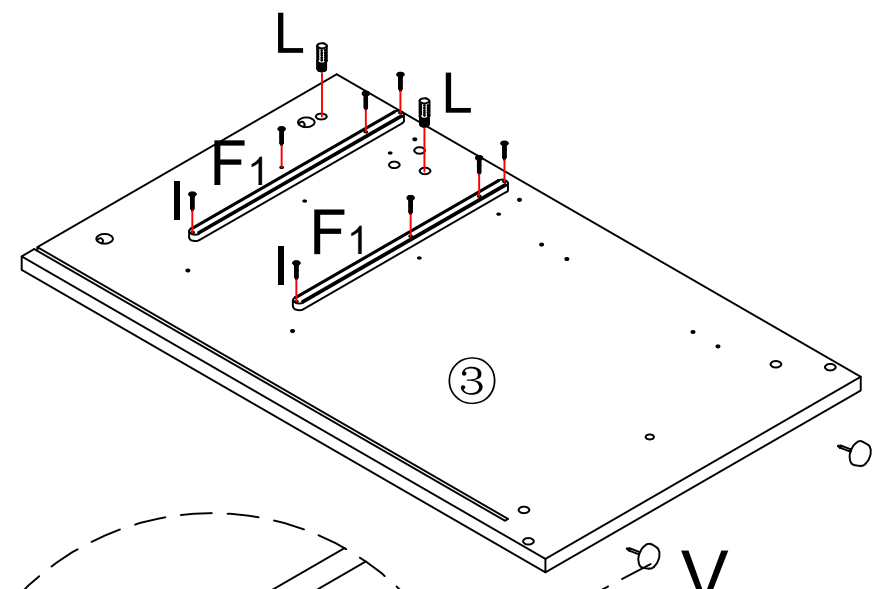


2

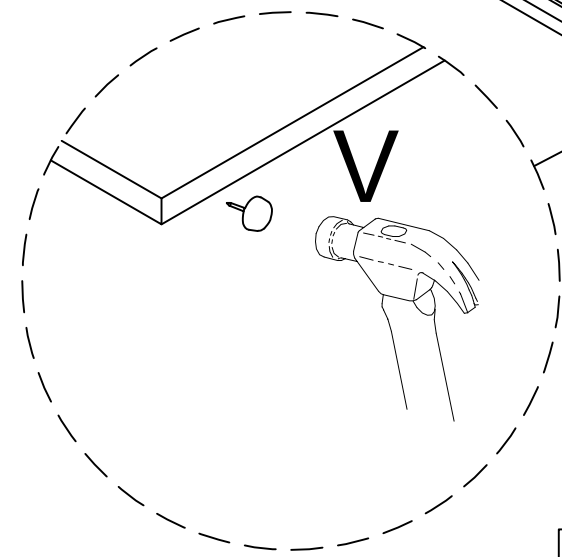


F₁*1 I*4 L*1 V*2

2

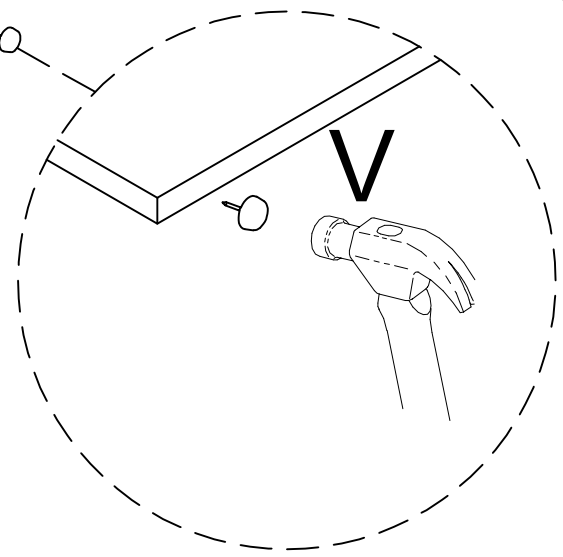
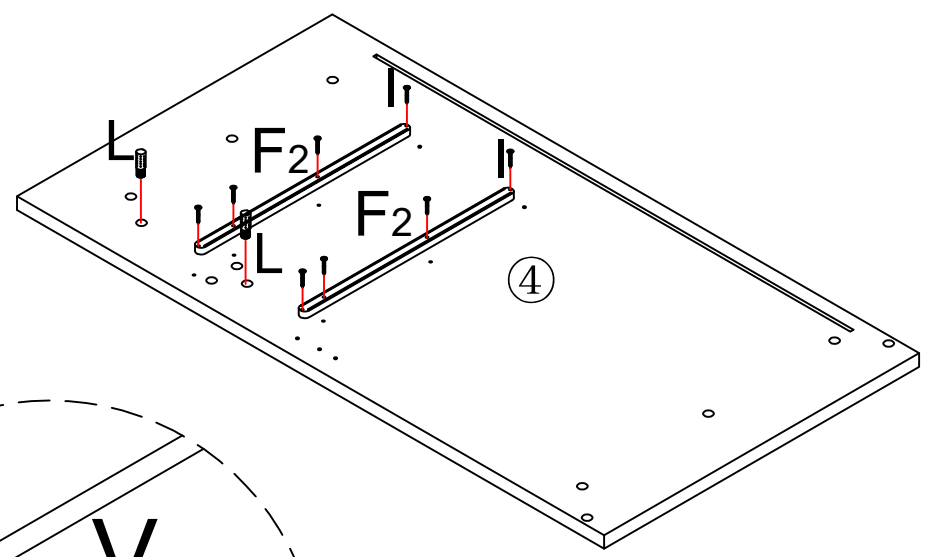
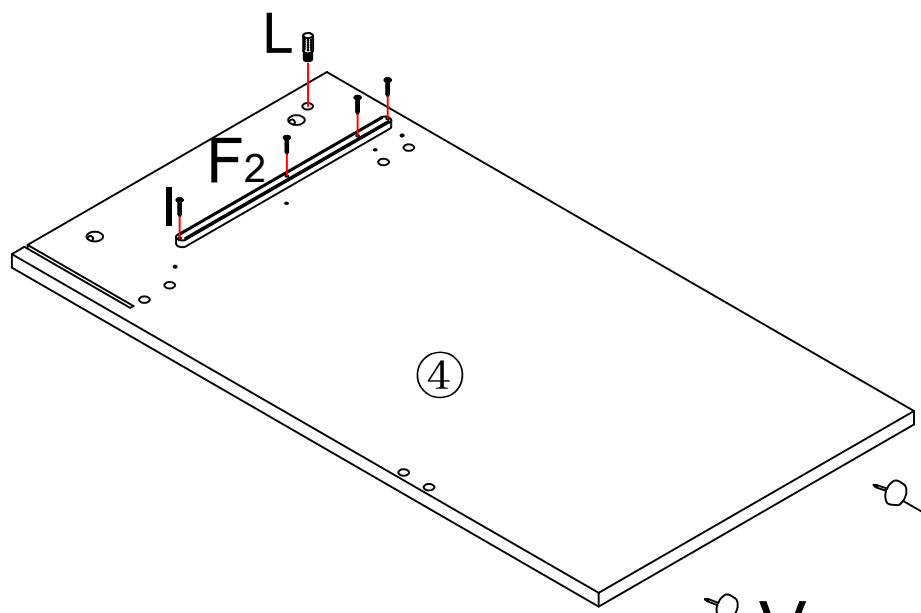


3



F₁*2 I*8 L*2 V*2

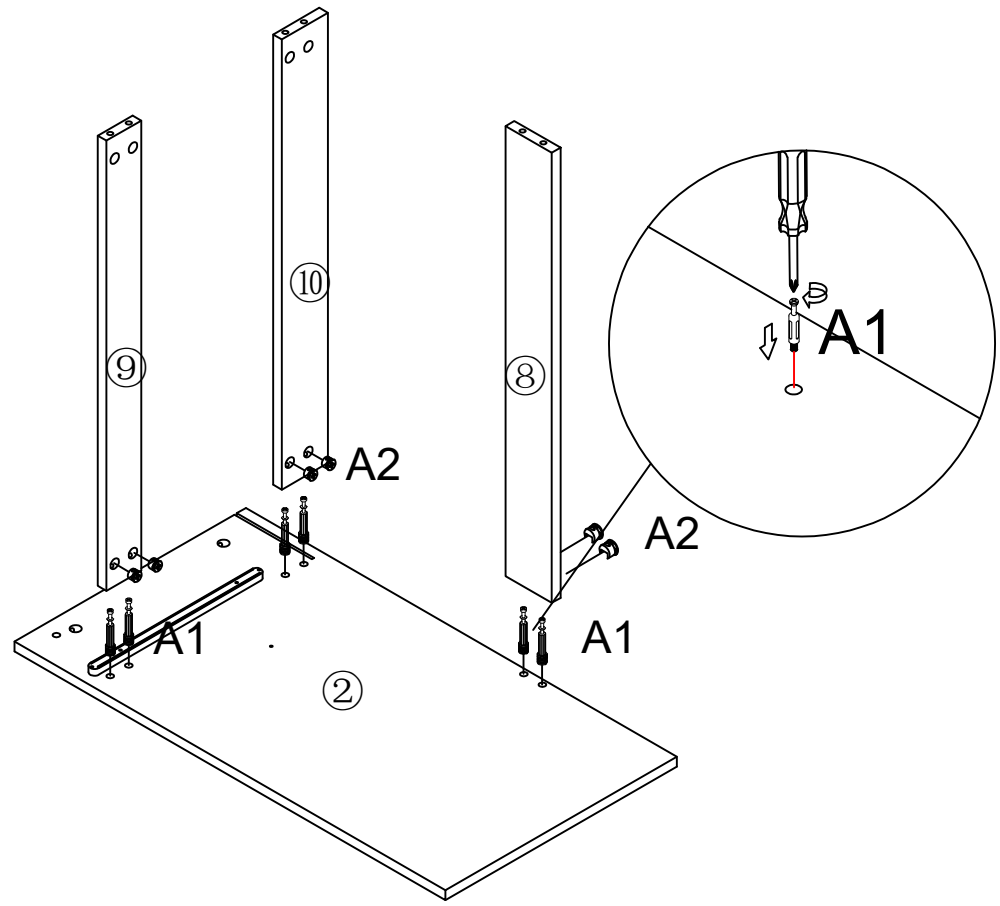
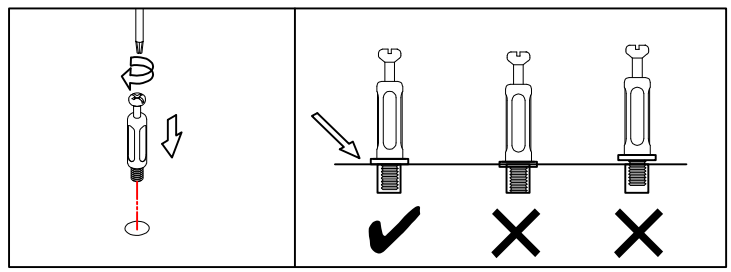
Rotate 180°



F₂*1 I*4 L*1 V*2

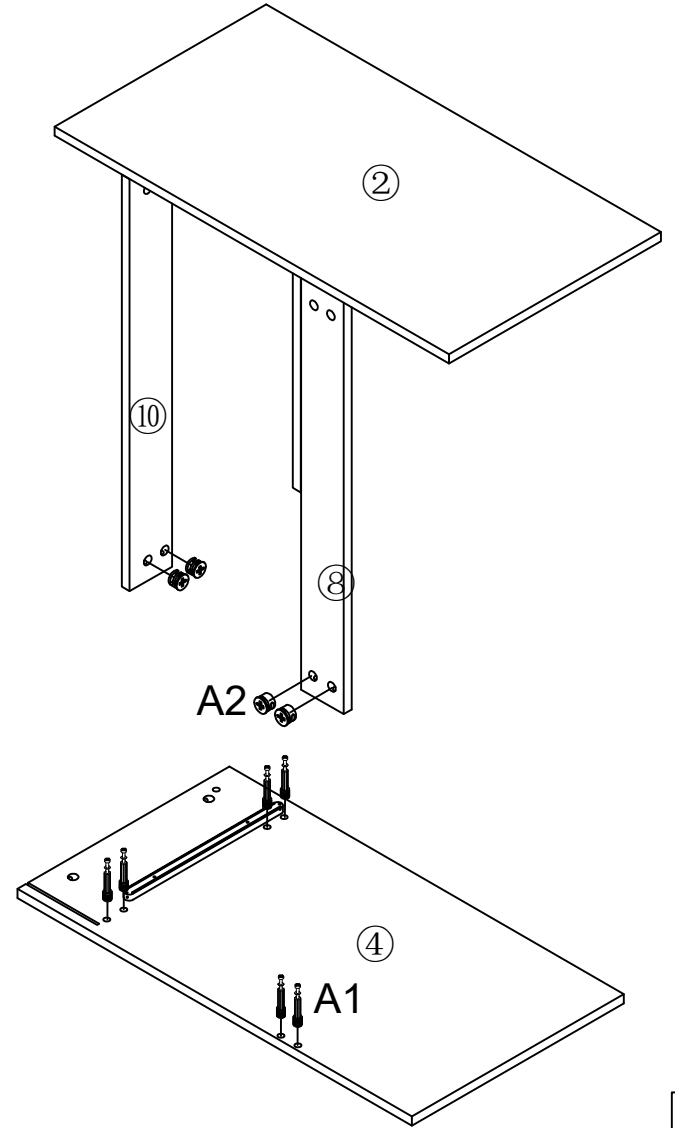
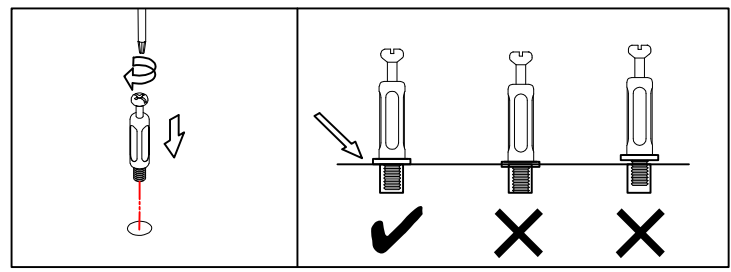
F₂*2 I*8 L*2

5



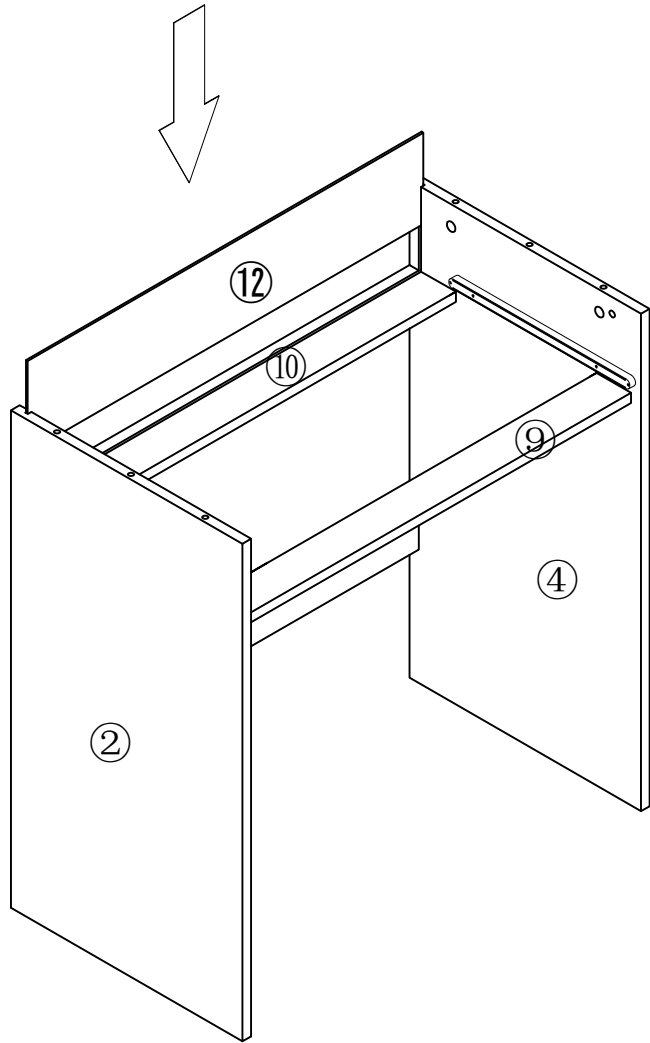
A*6

6

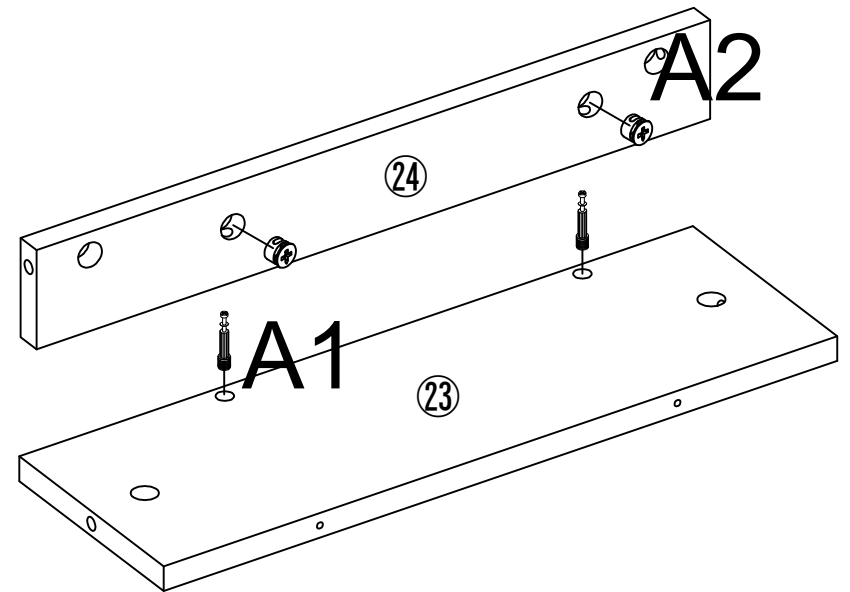
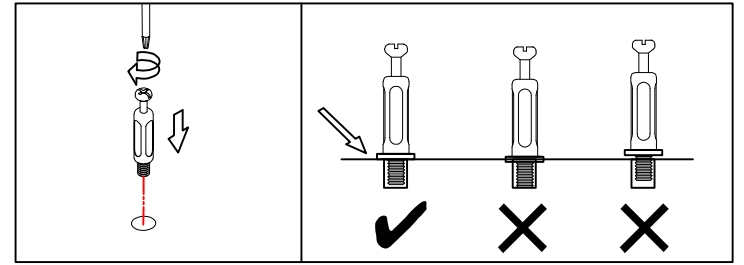


A*6

7

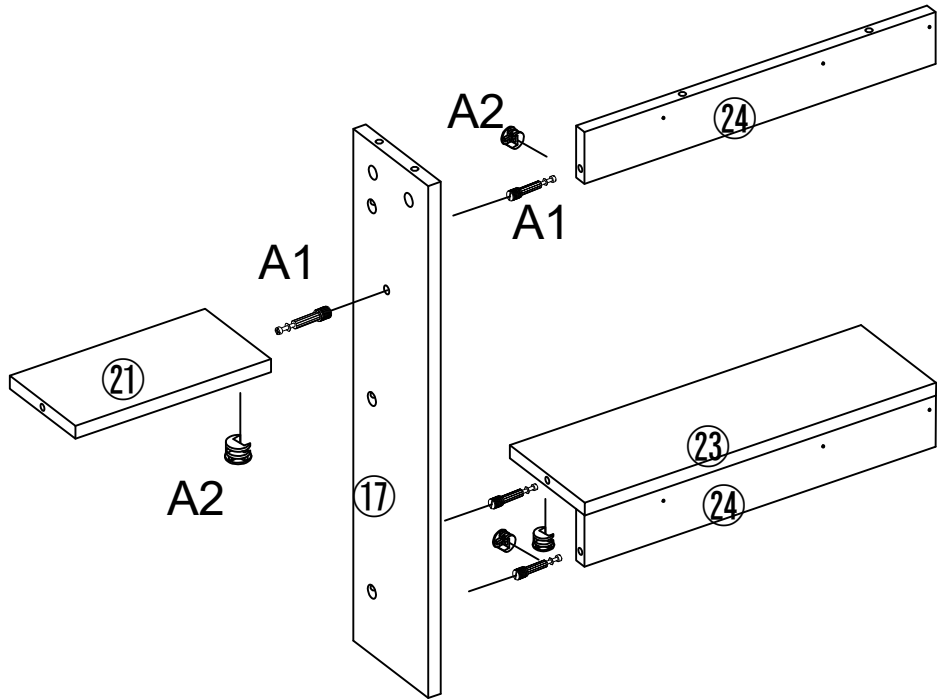
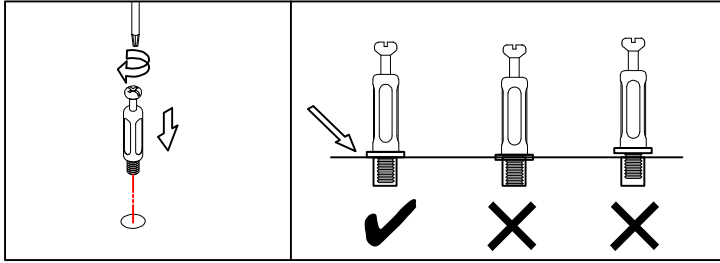


8



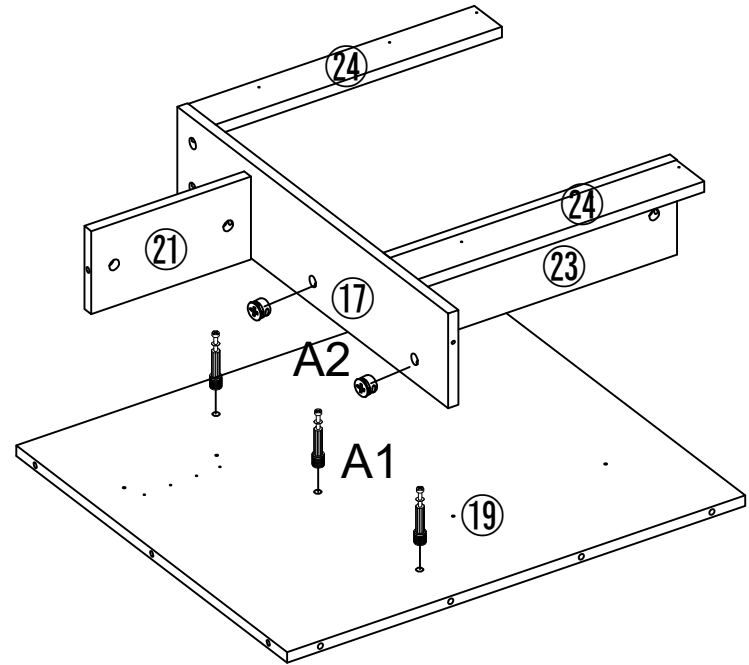
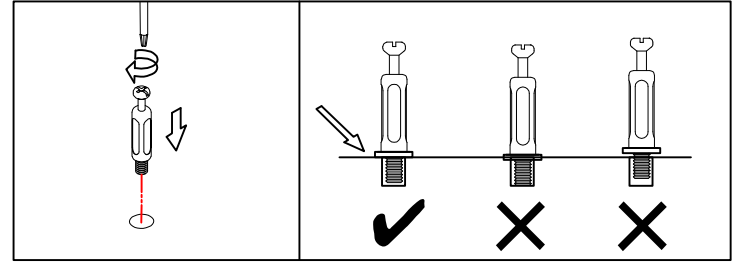
A*2

9



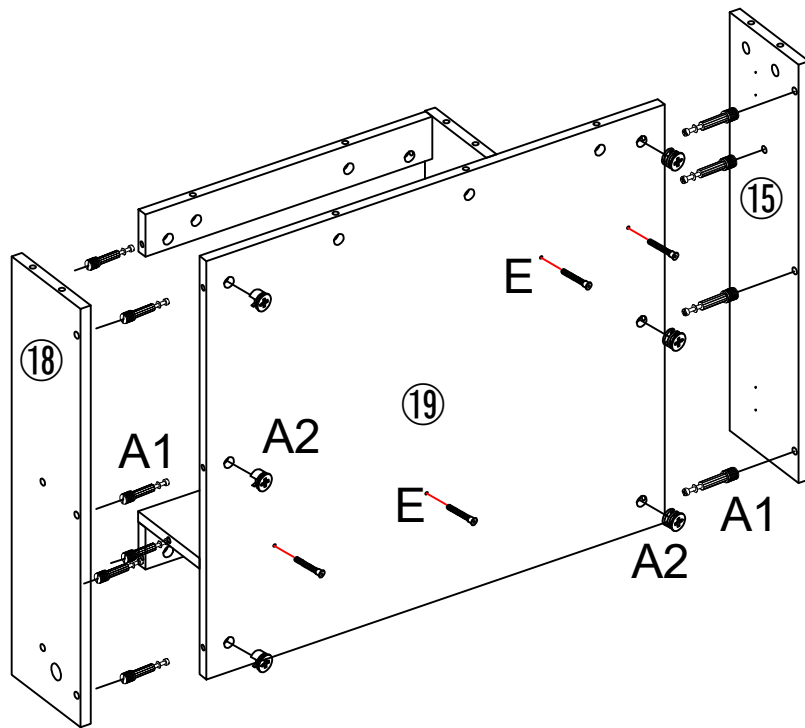
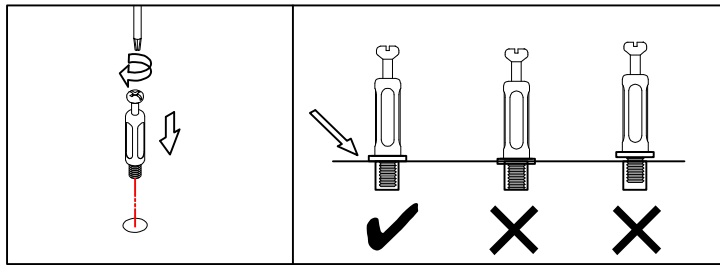
A*4

10



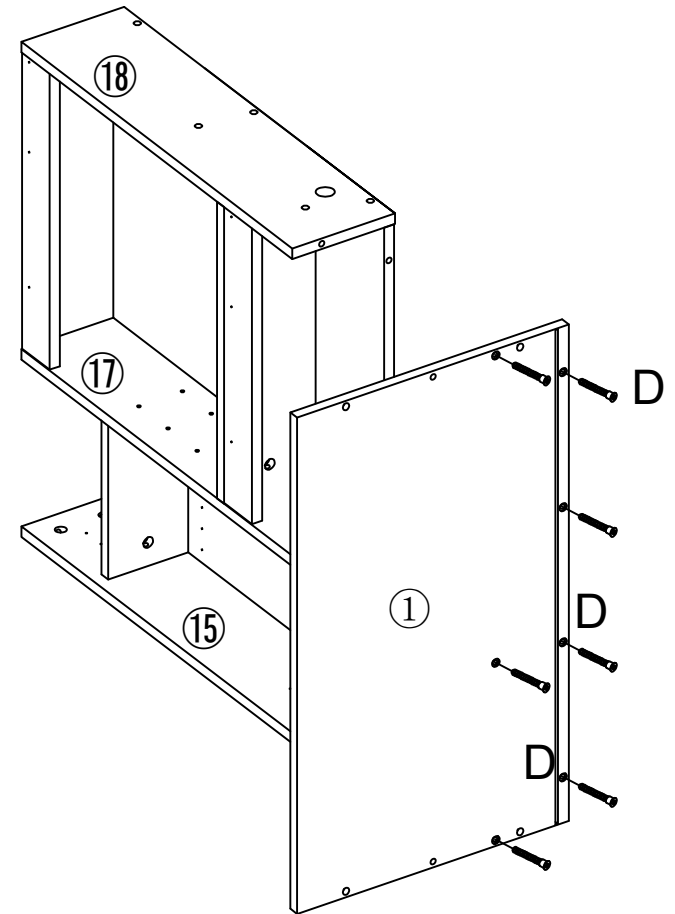
A*3

11



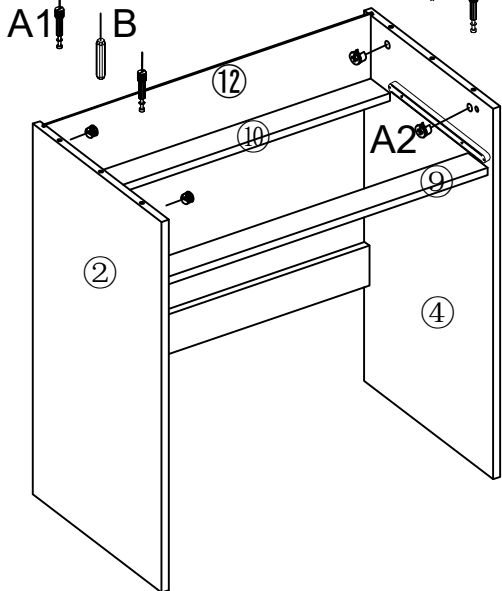
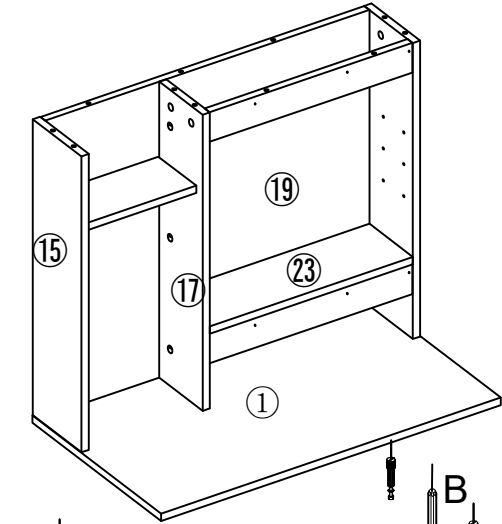
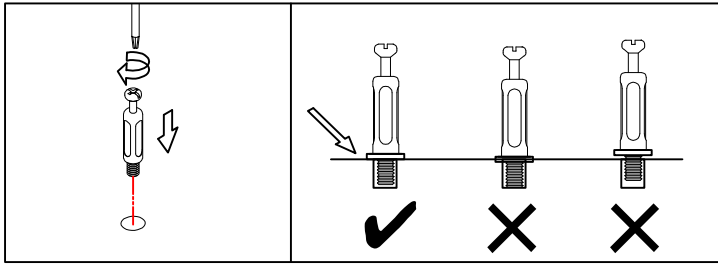
A*10 E*4

12



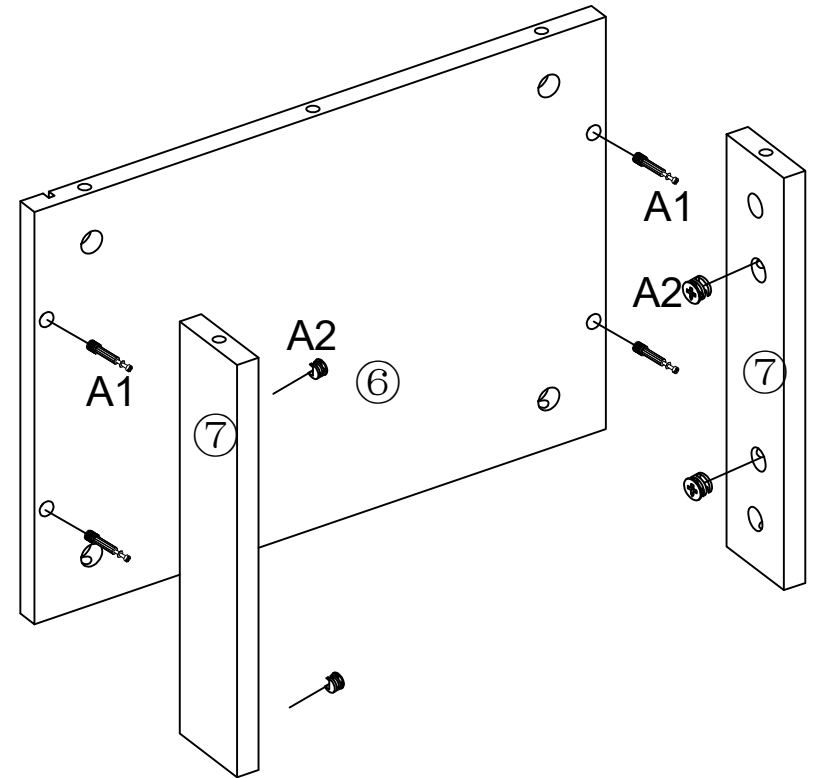
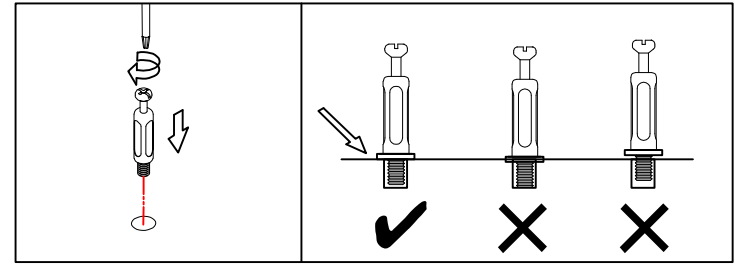
D*7

13



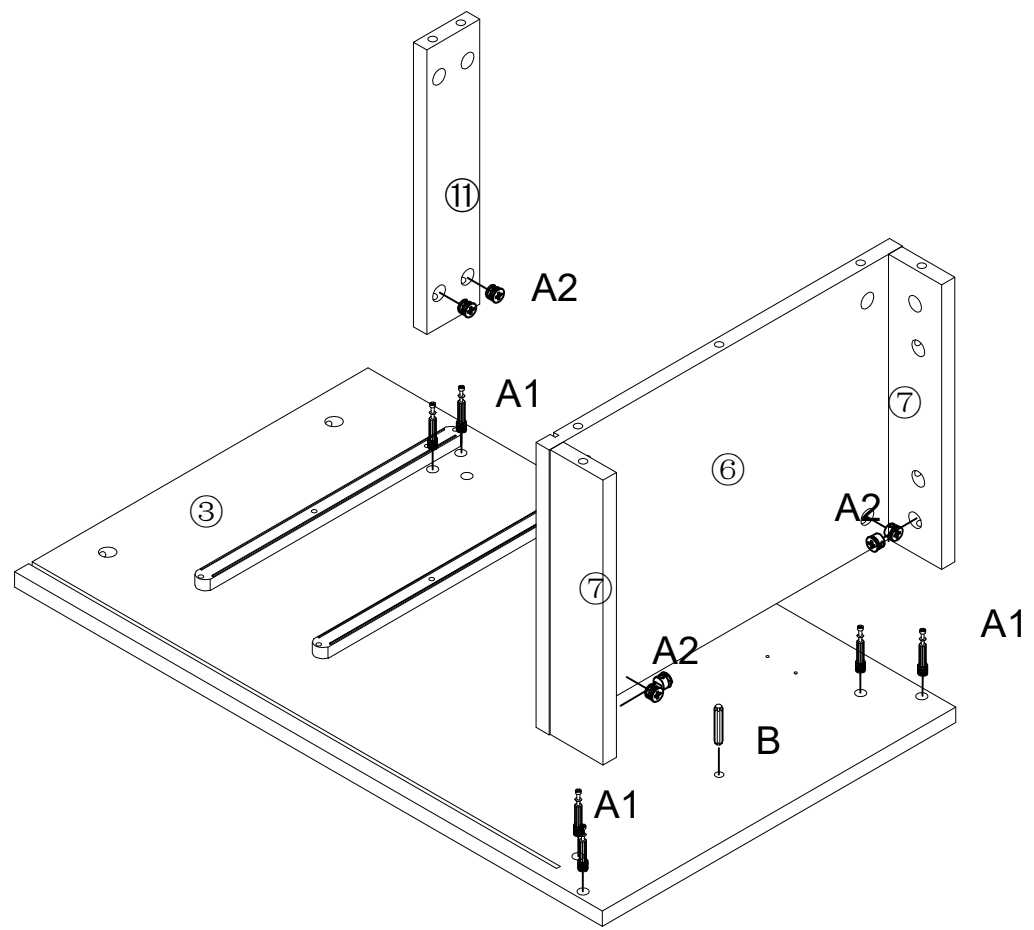
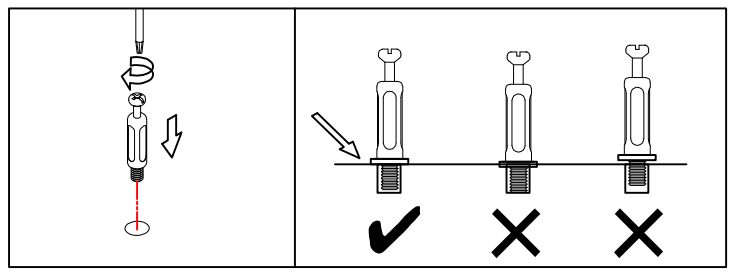
A*4 B*2

14



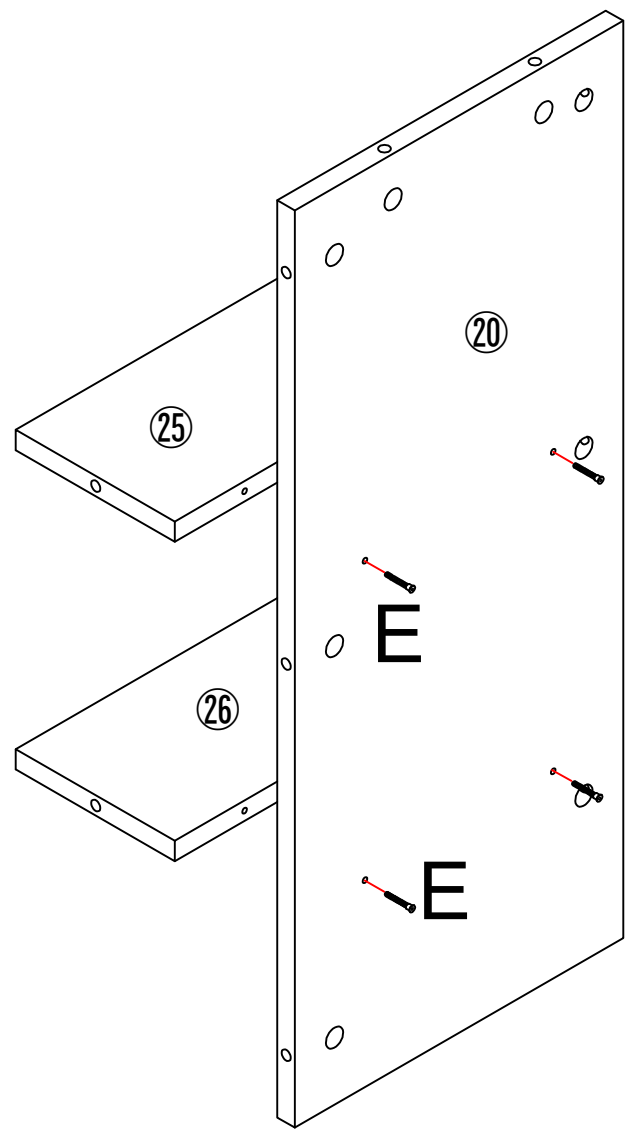
A*4

15



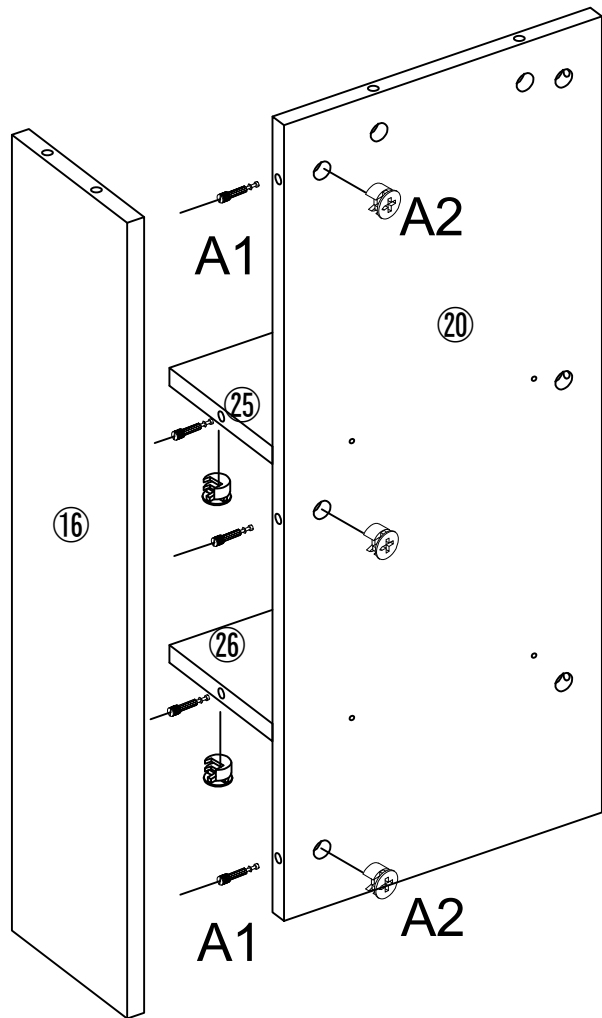
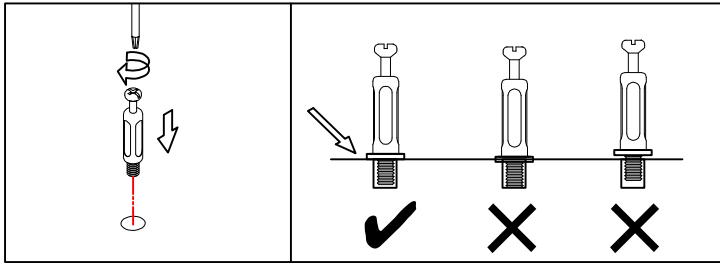
A*6 B*1

16



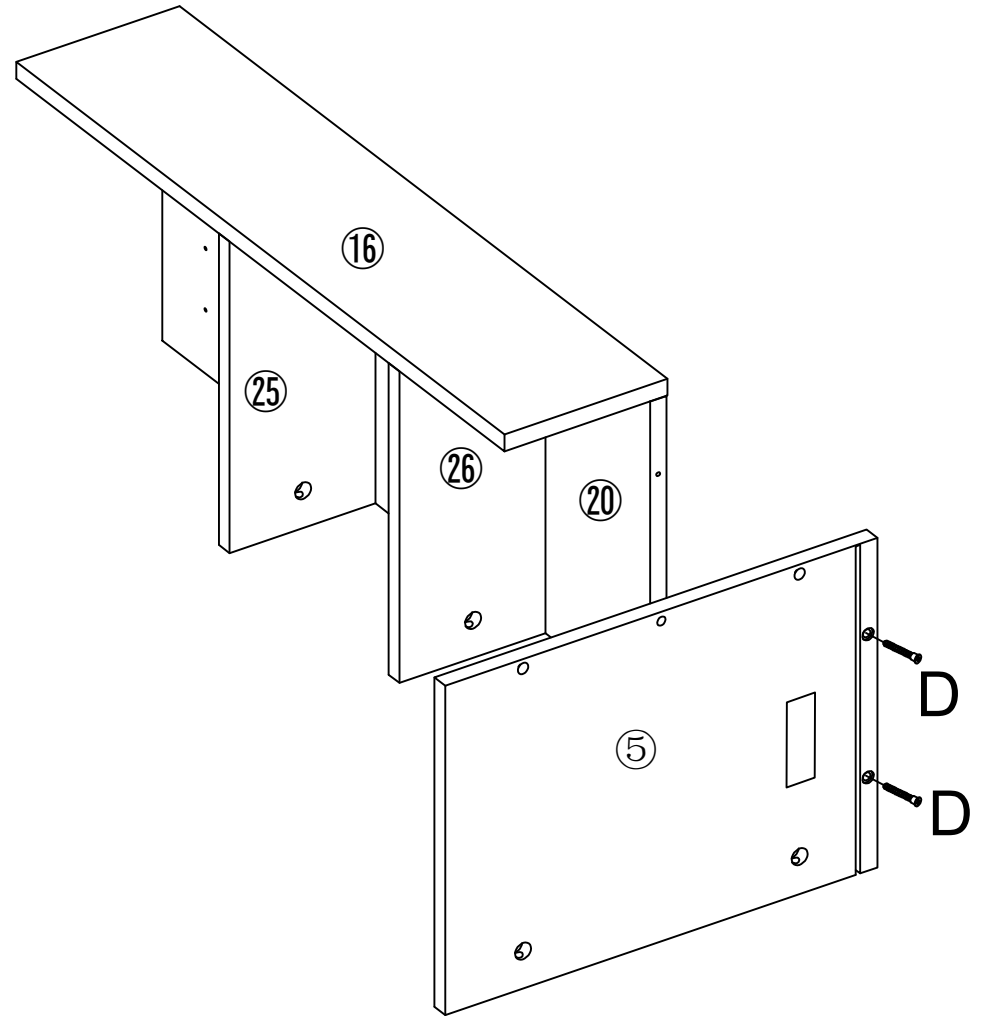
E*4

17



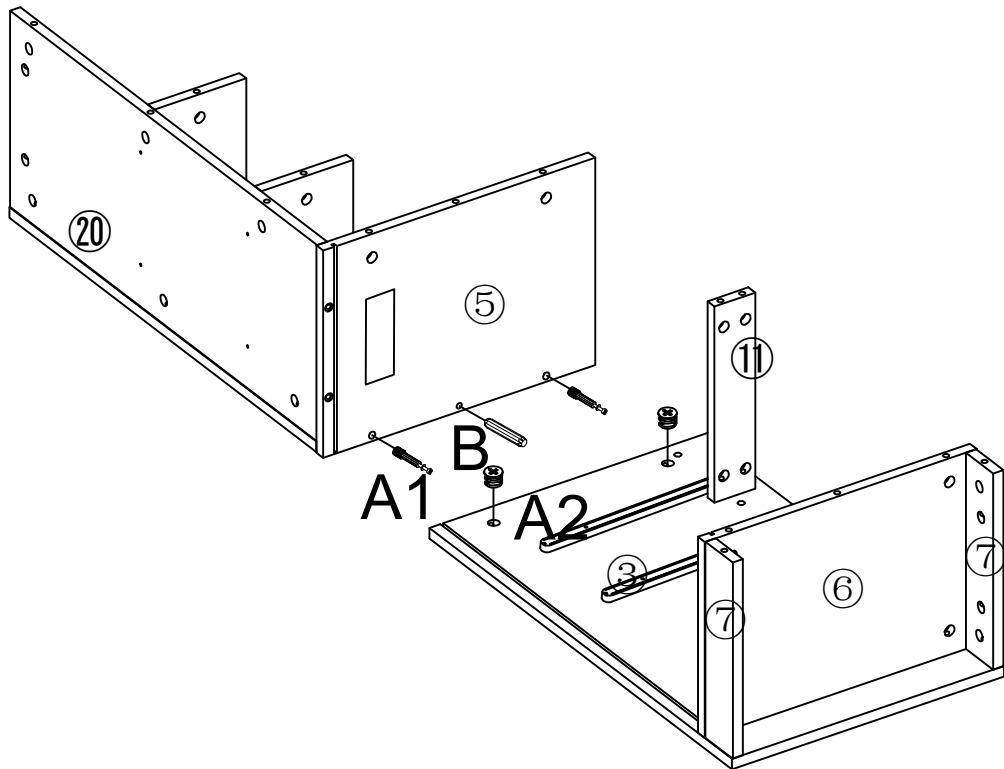
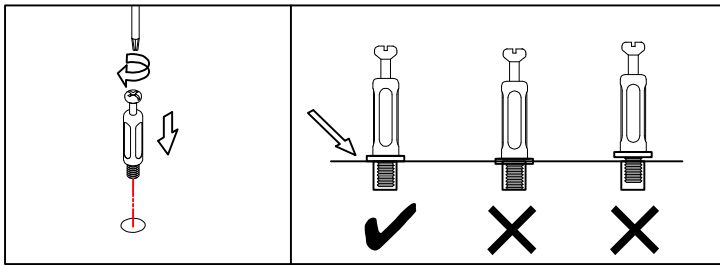
A*5

18



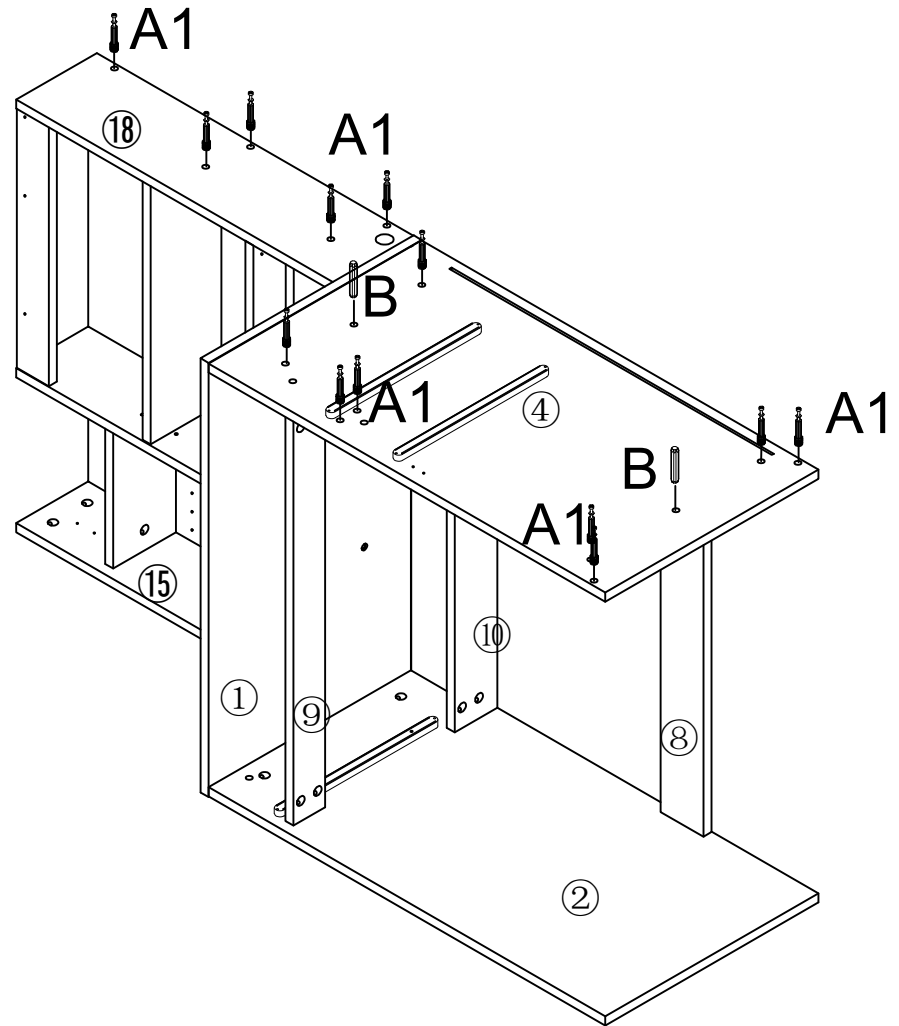
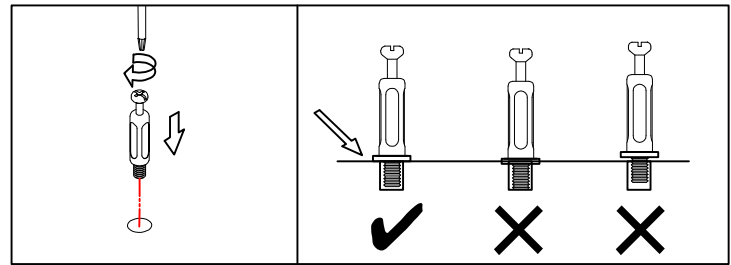
D*2

19

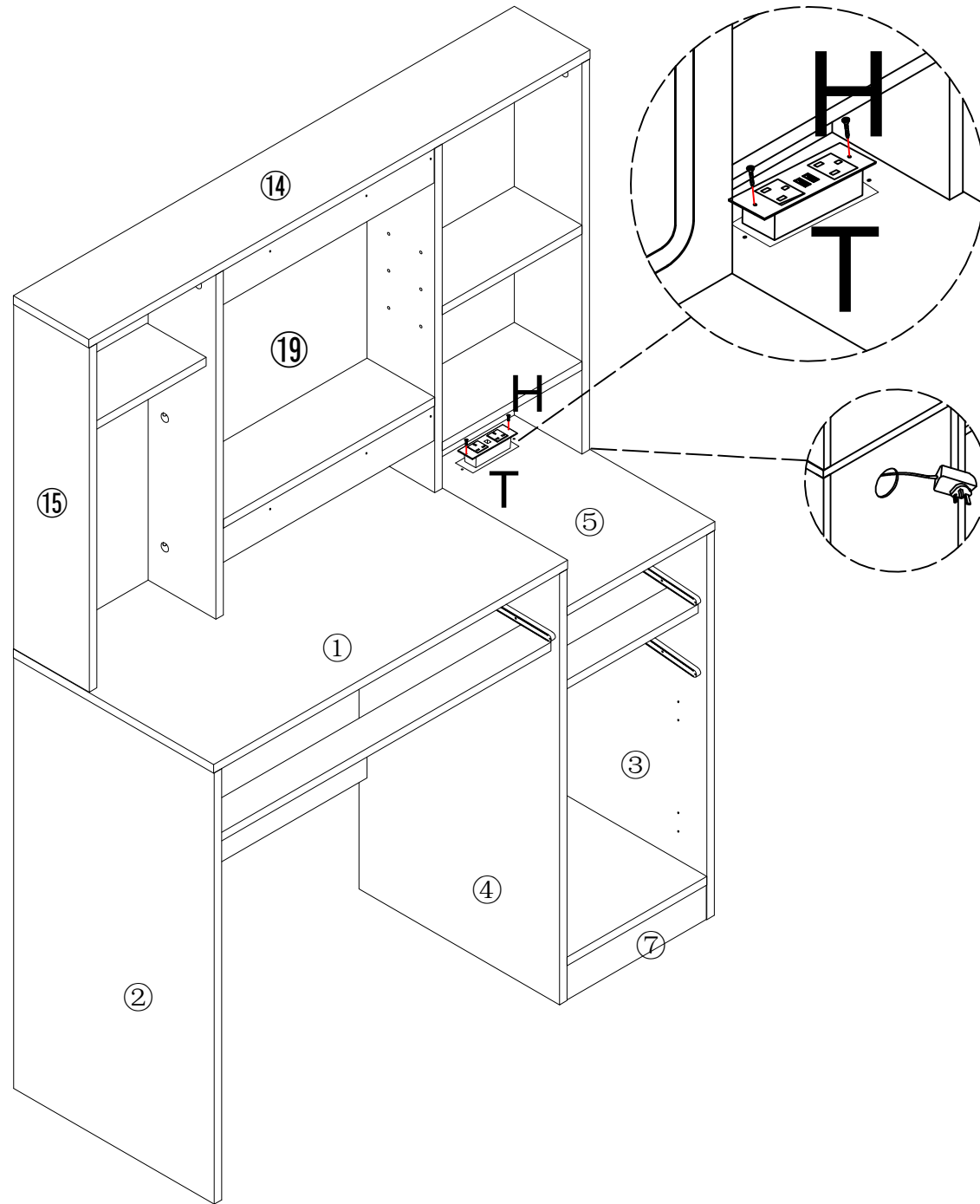


A*2 B*1

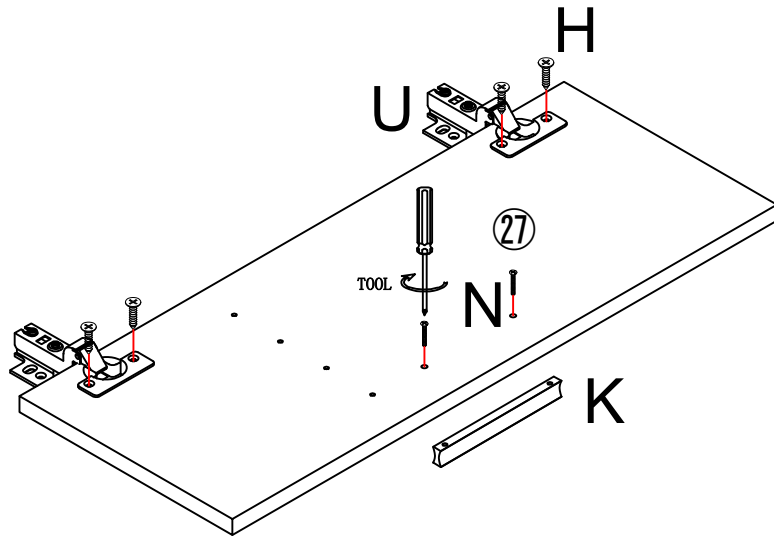
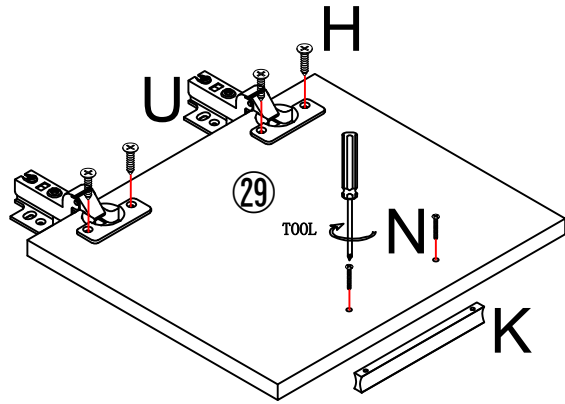
20



A1*13 B*2

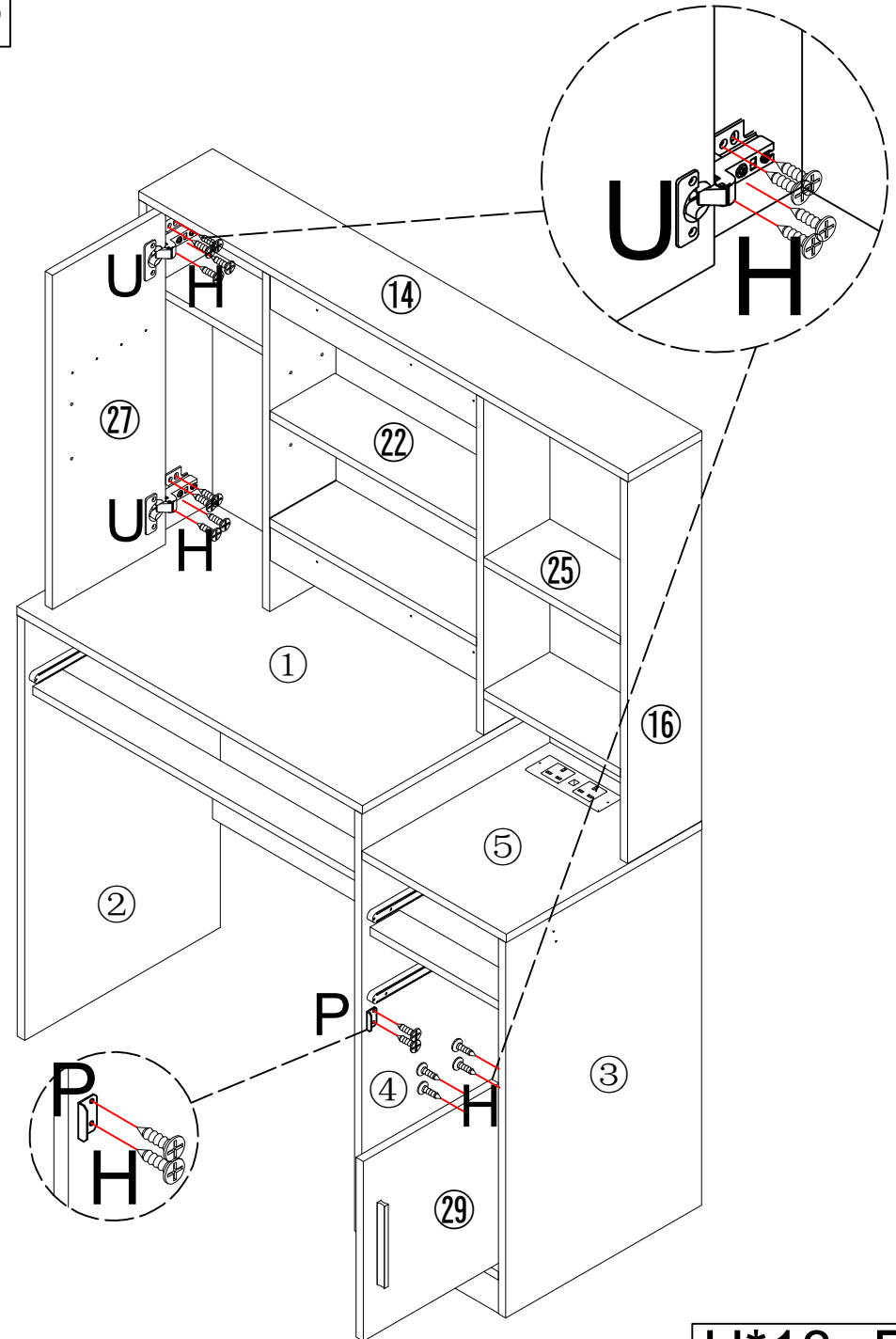


24



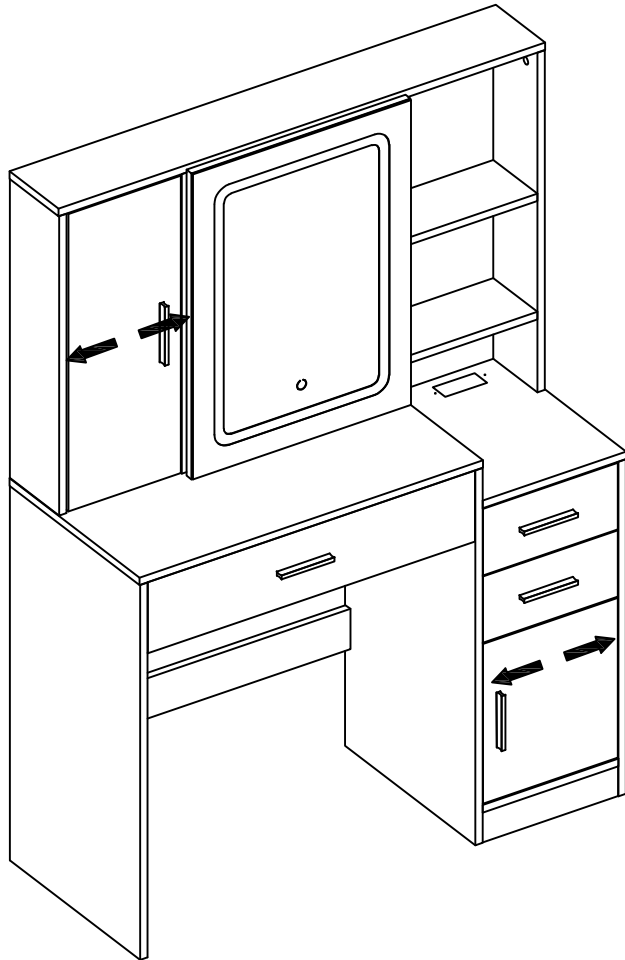
K*2 N*4 H*8 U*4

25

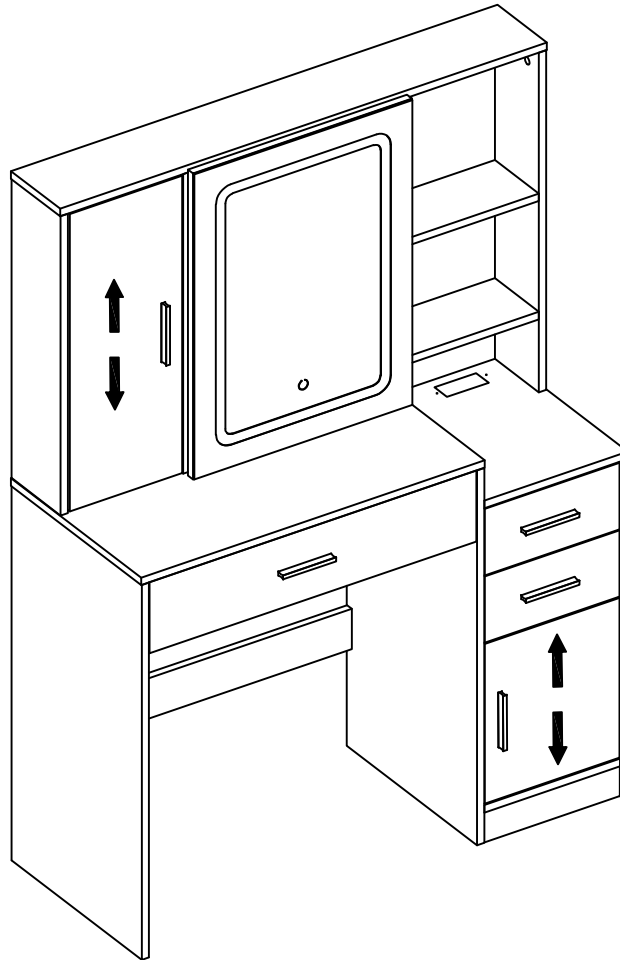
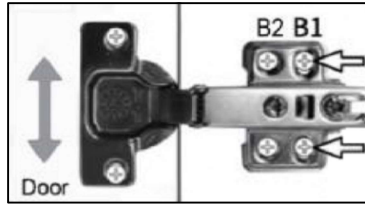


H*18 P*1

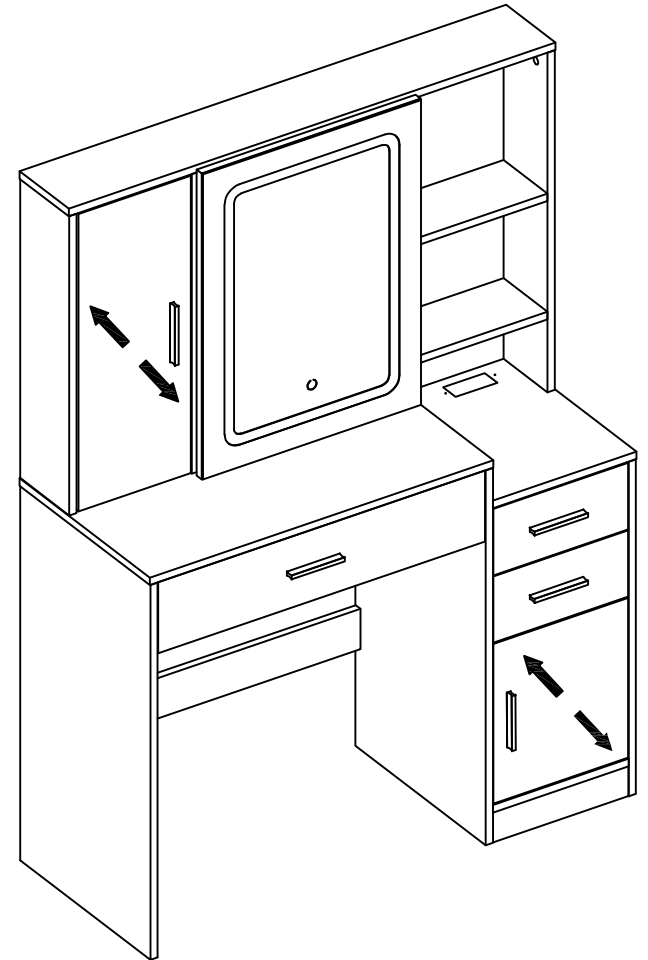
Adjust the doors if needed
Sideways adjustmen
loosen and tighten screw
shown, to move doors left or
right as required



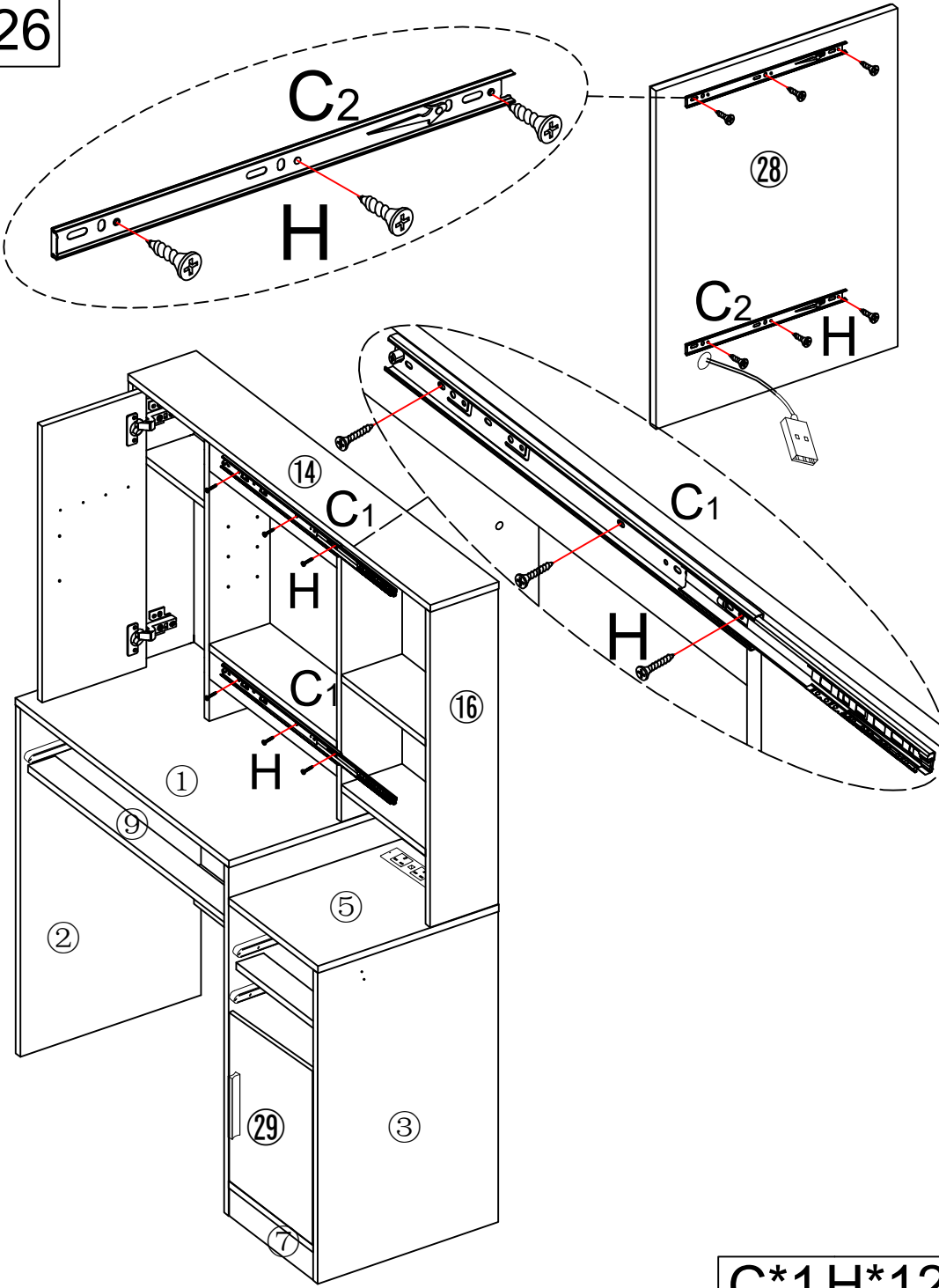
Height Adjustment
Loosen screws at B1&B2
and move door up or
down as required.
Retighten Screws at B1&B2.



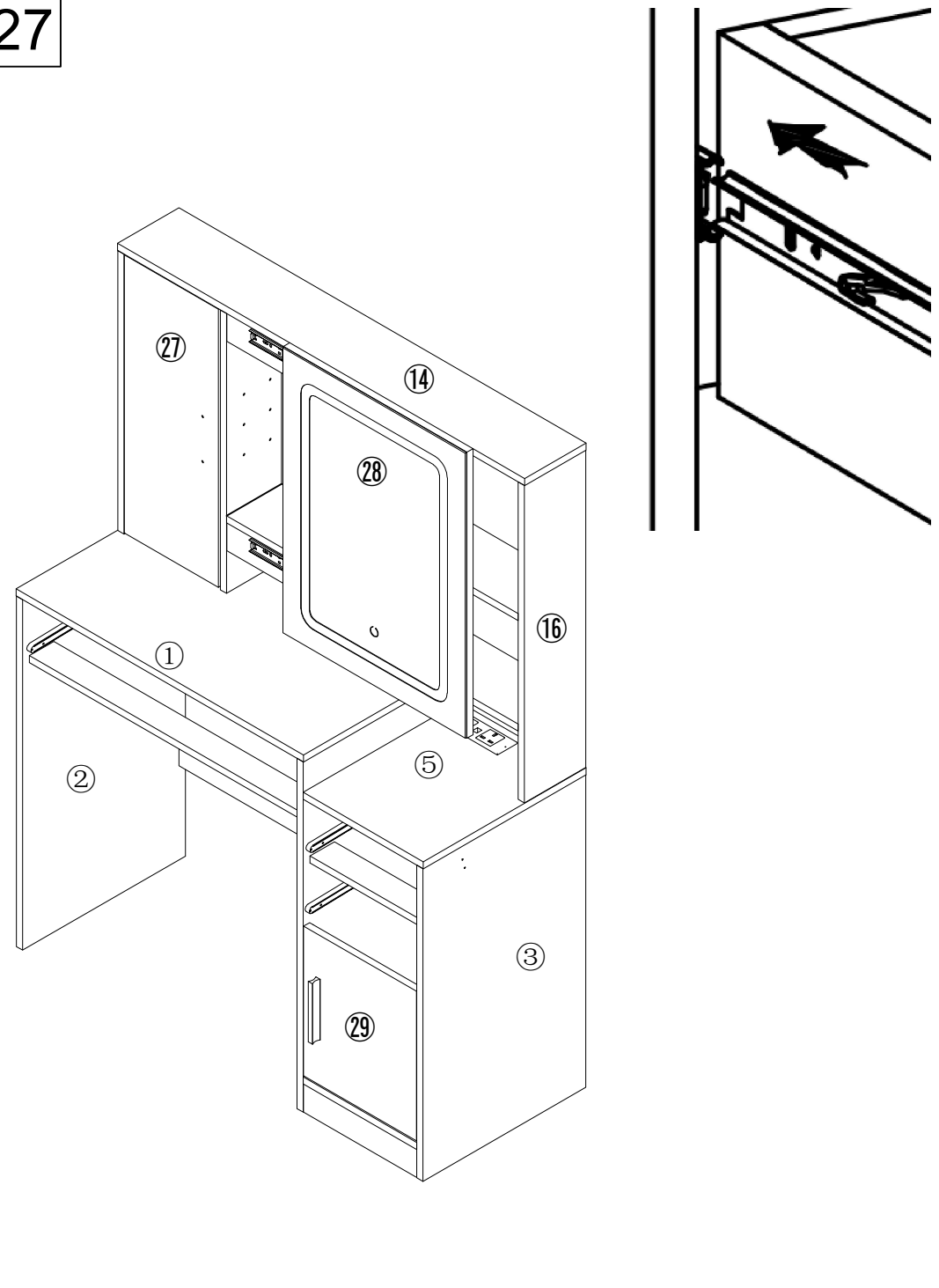
Forward and Back
adjustment.
Loosen screw shown and
move door in or out as
required.
Retighten Screw.



26

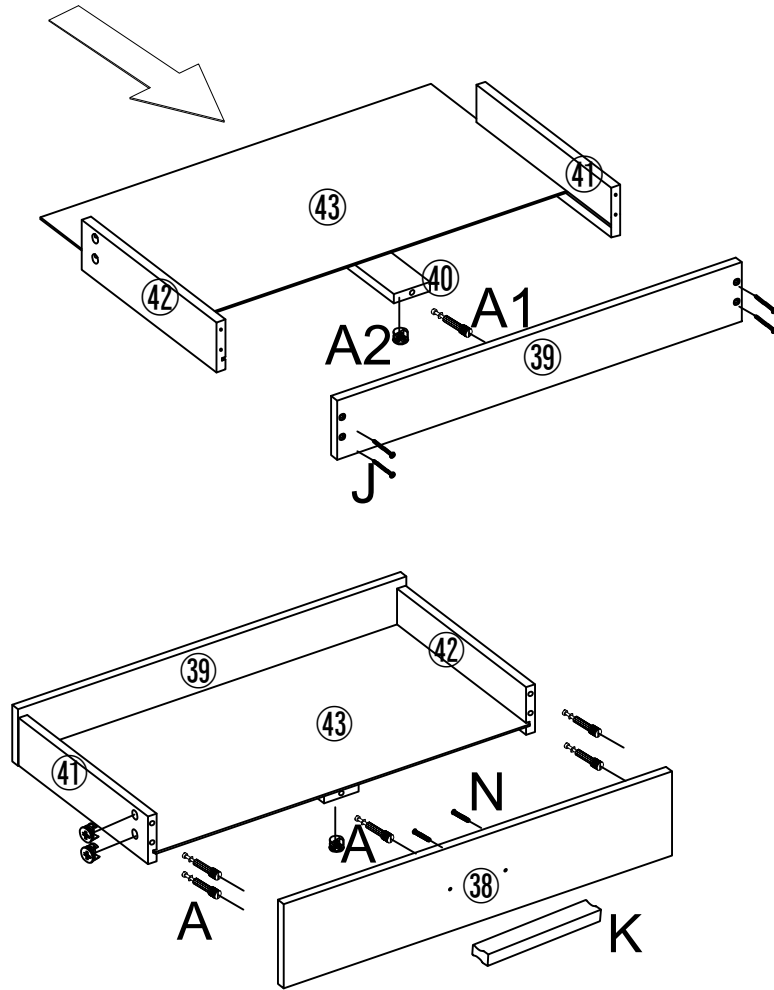
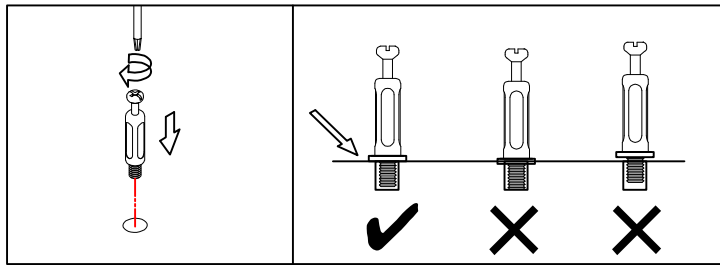


27



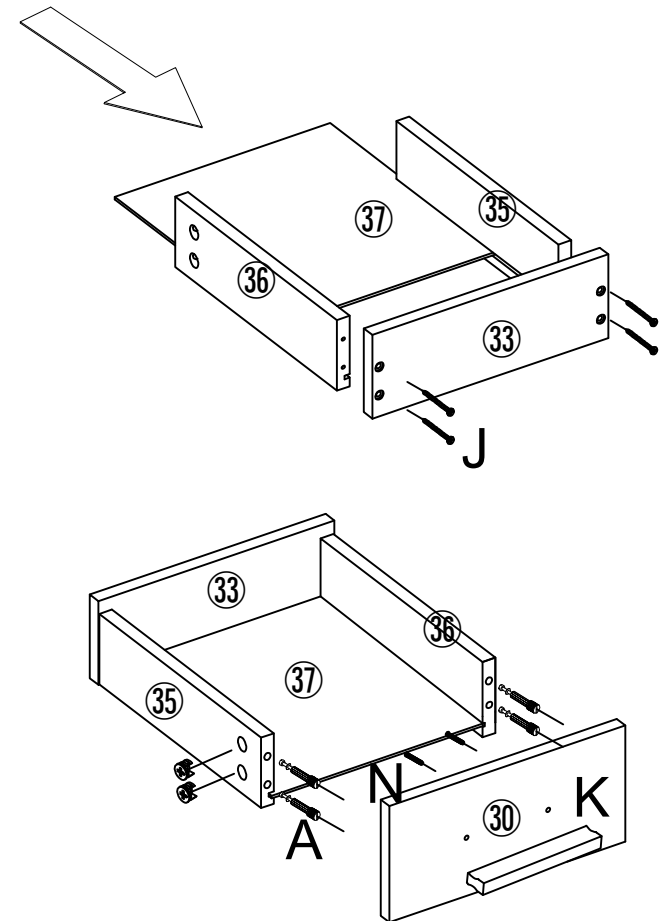
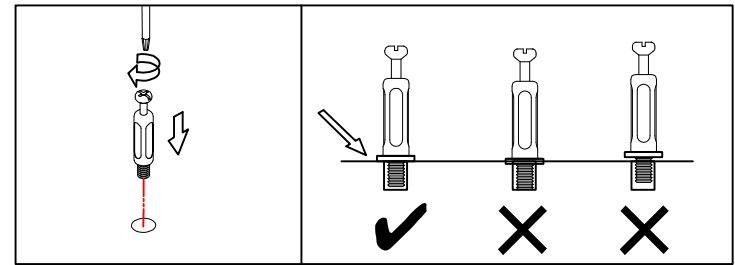
C*1H*12

28



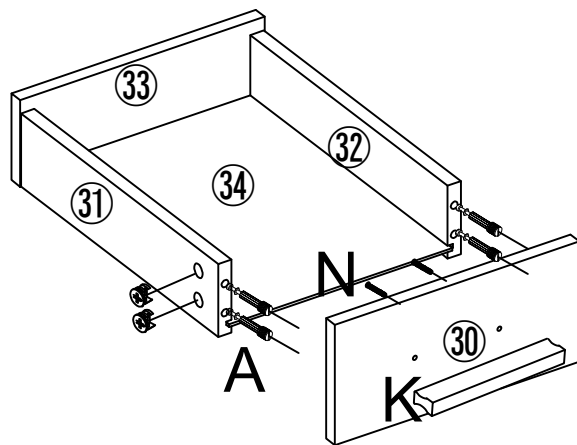
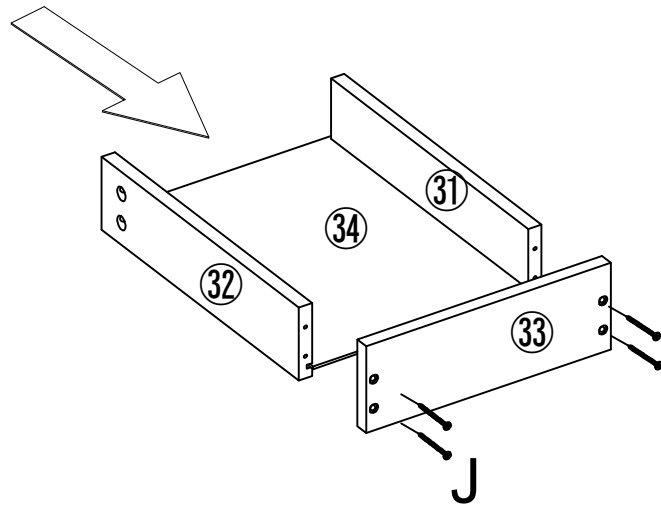
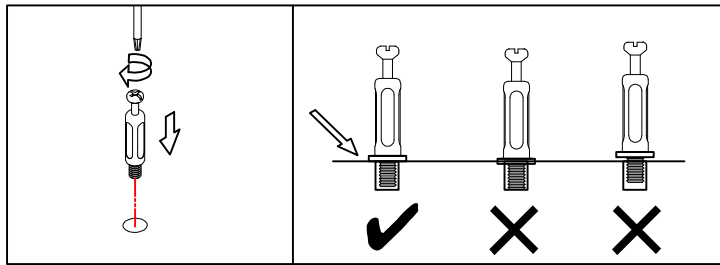
A*6 J*4 N*2 K*1

29



A*4 J*4 N*2 K*1

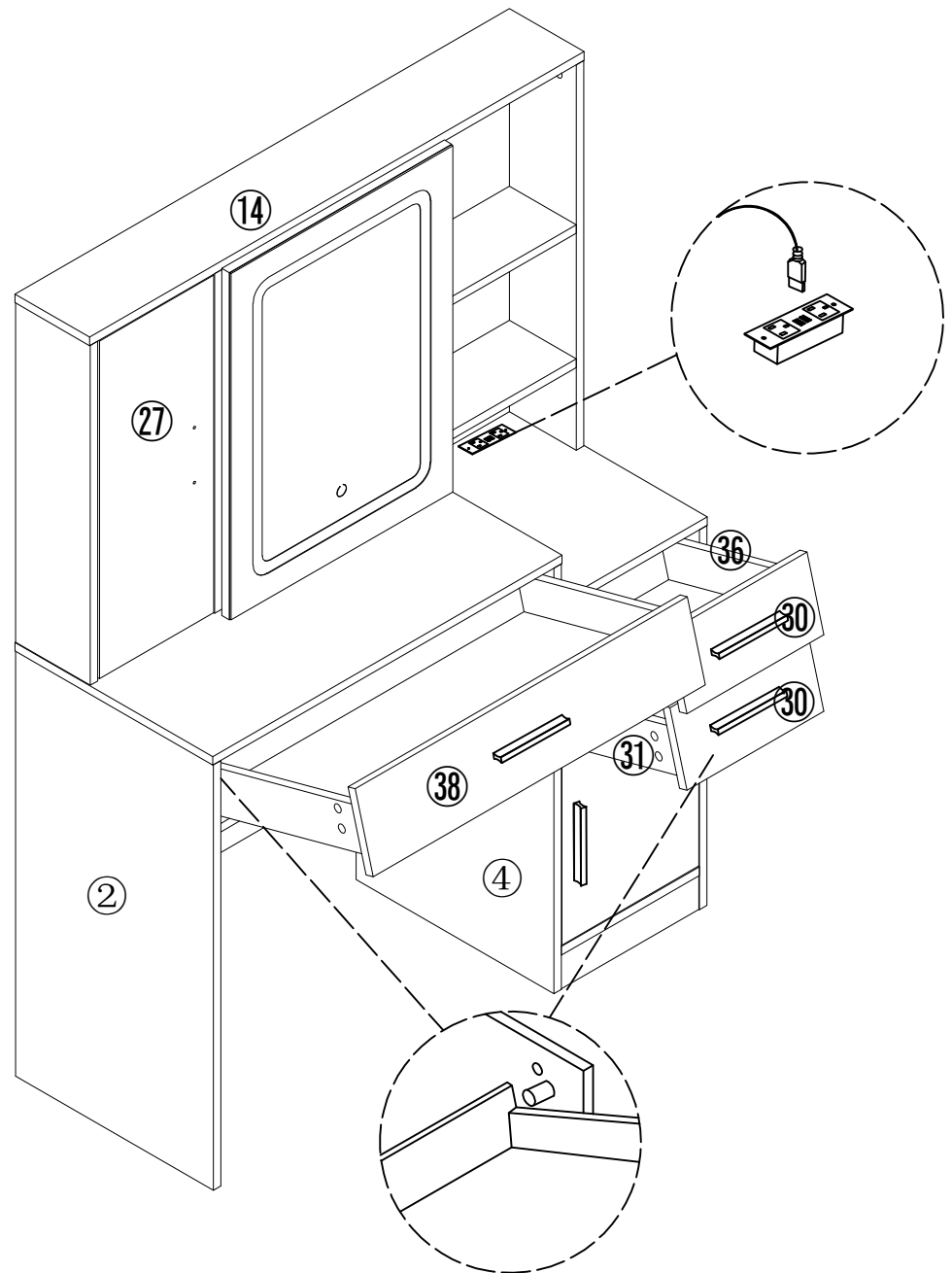
30



A*4 J*4 N*2 K*1

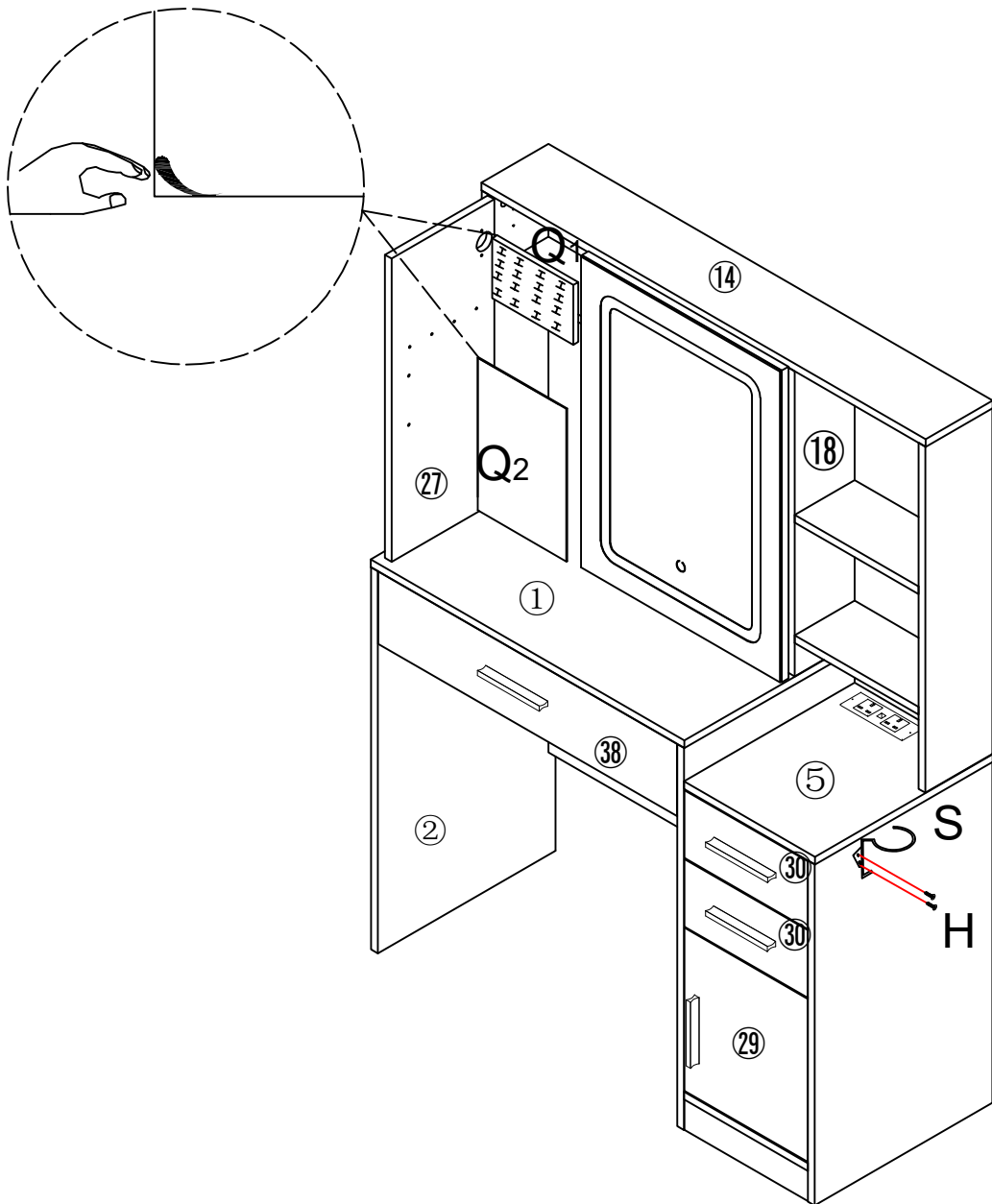
31

Tilting is required for installation



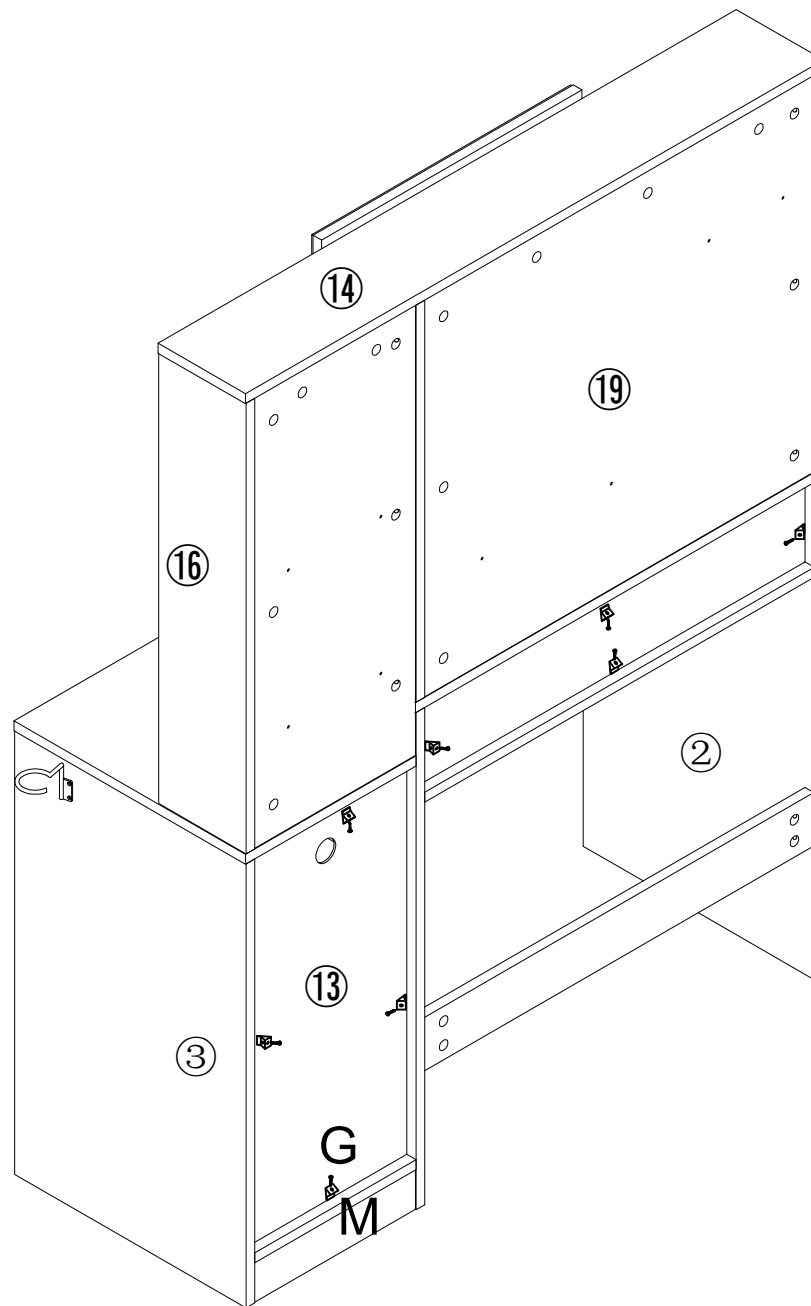
32

Remove the back protective film and install it

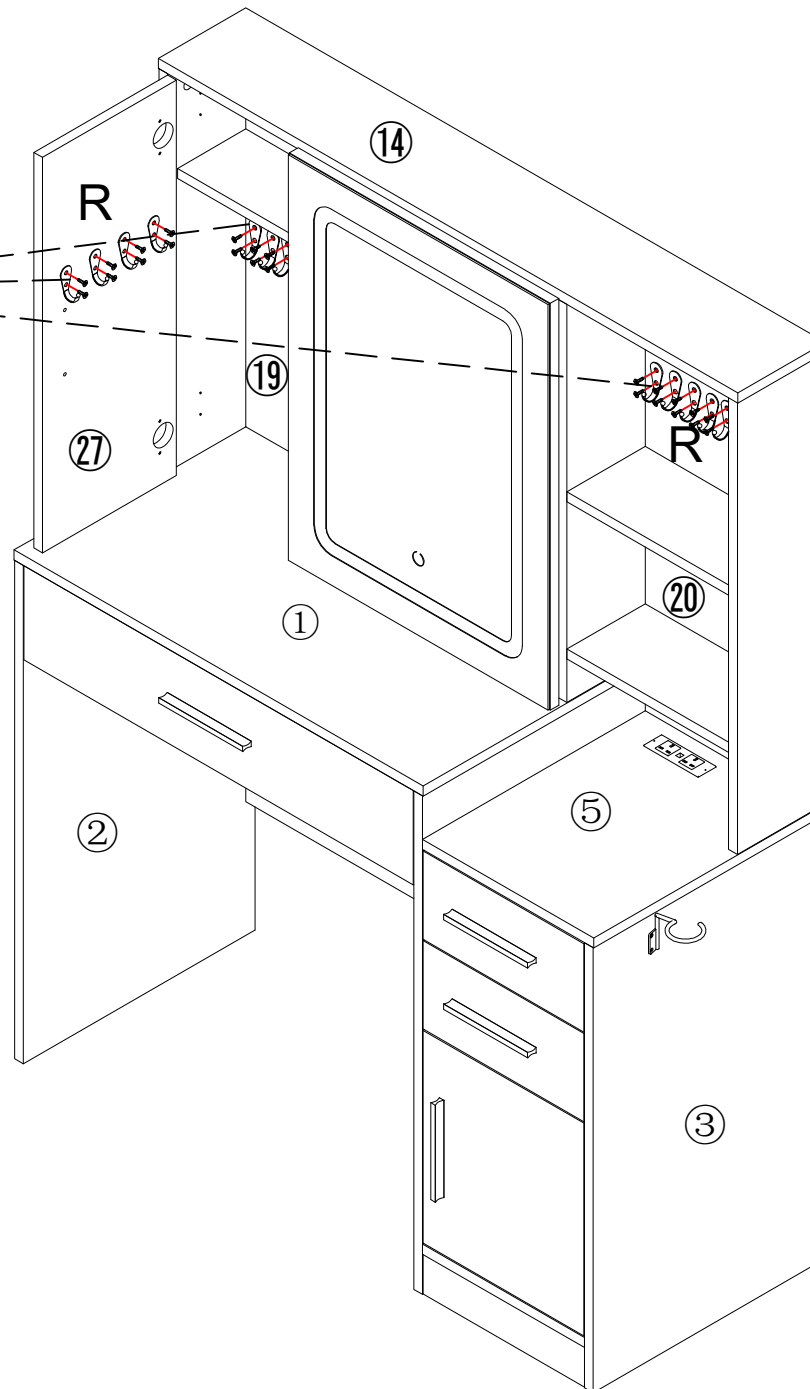
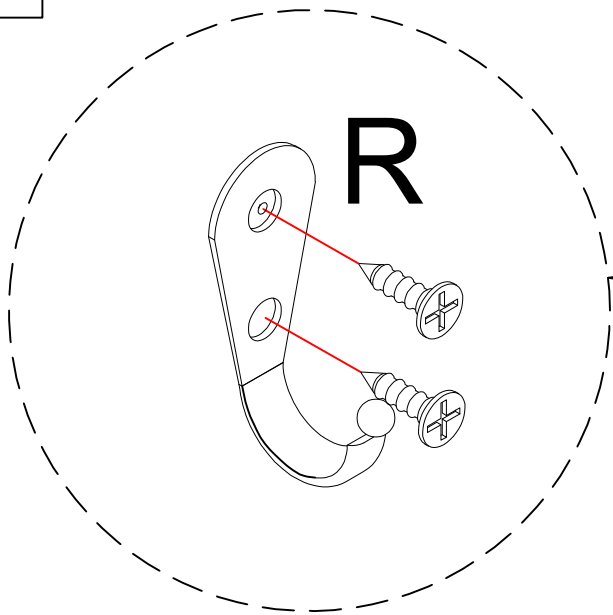


S*1 H*2 Q*1

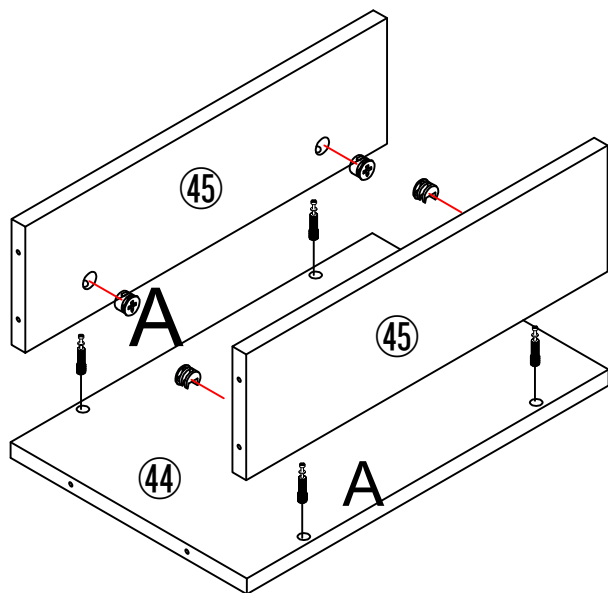
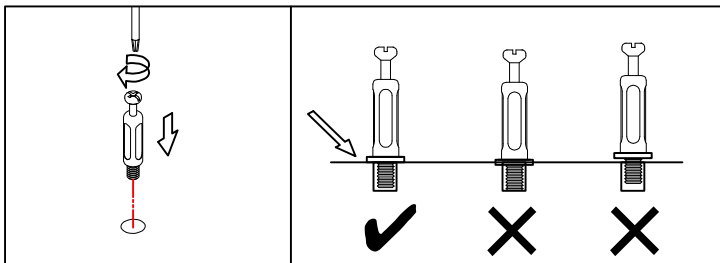
33



G*8 M*8



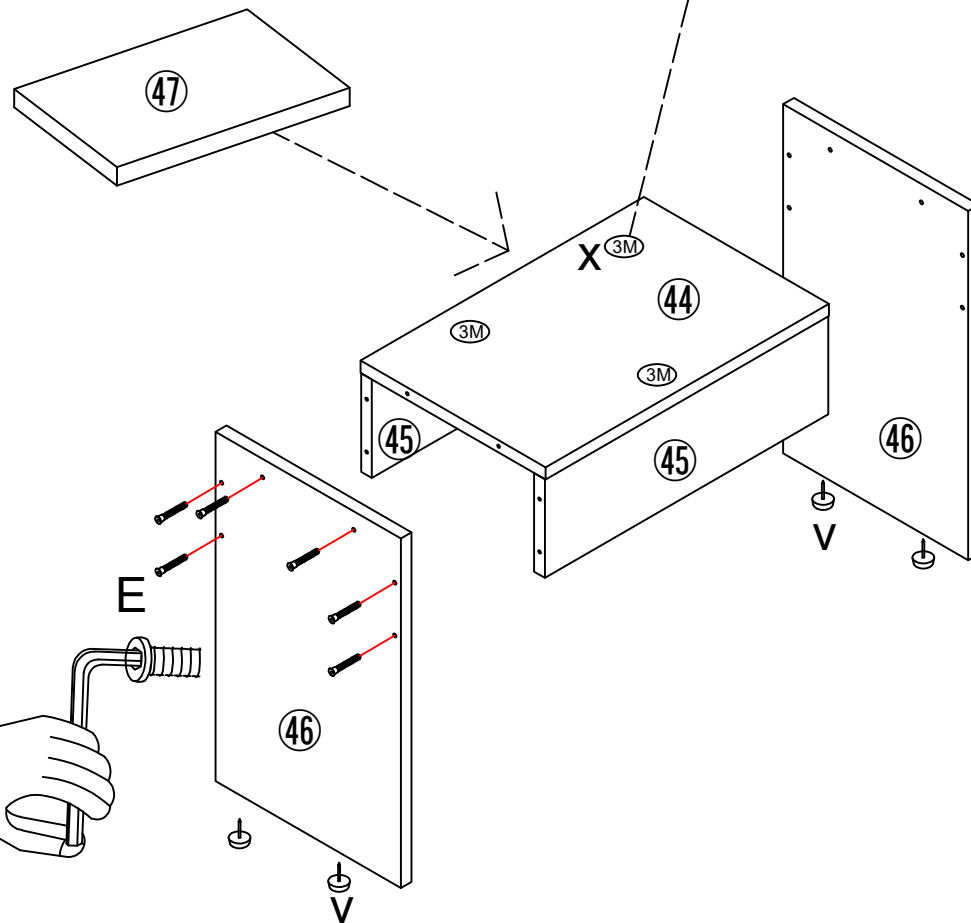
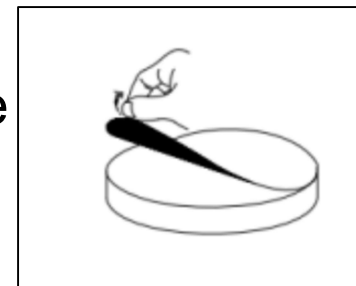
35



A*4

36

Please remove the adhesive protective film and install it

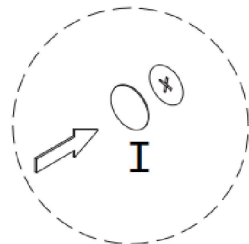
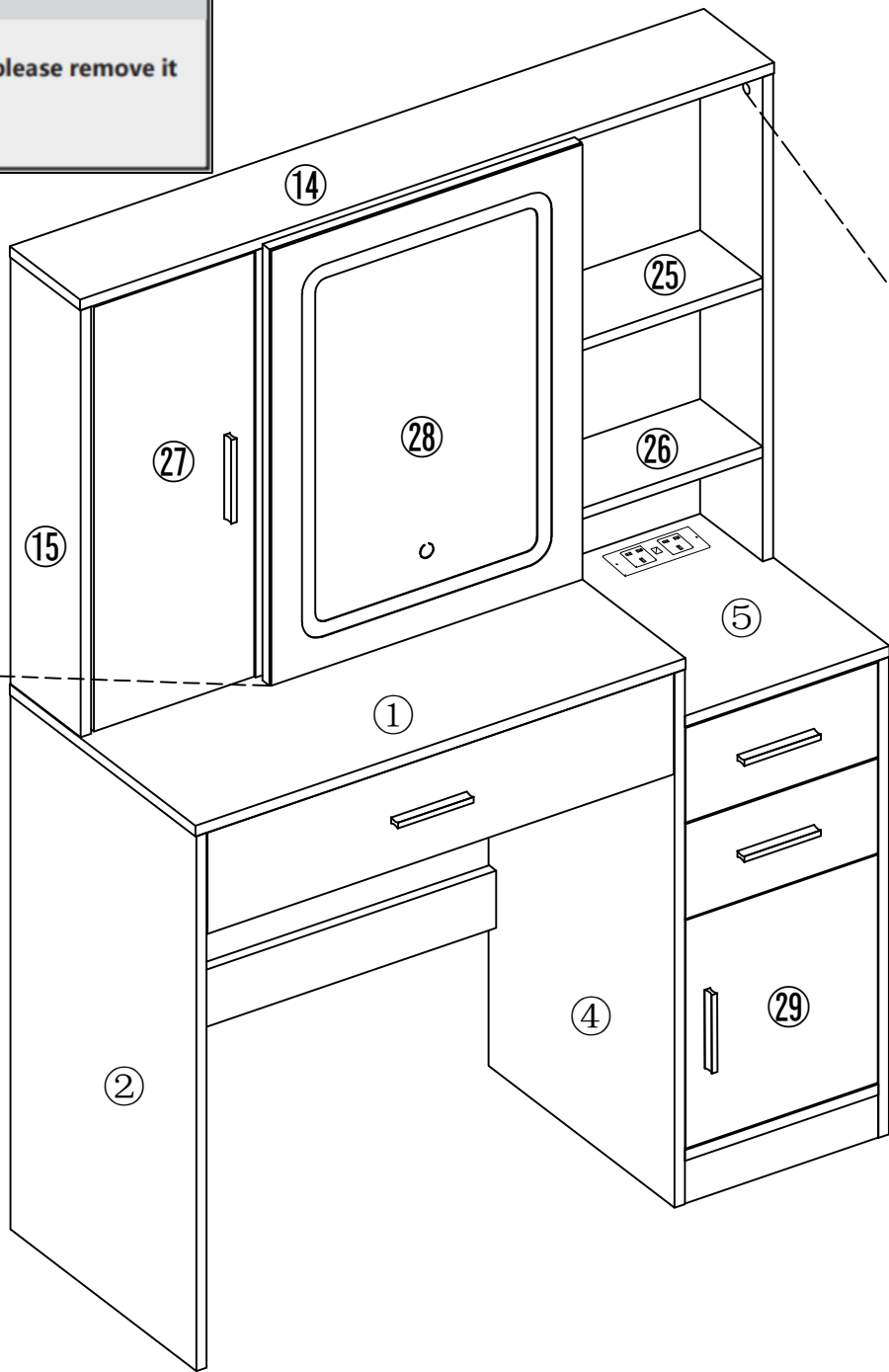
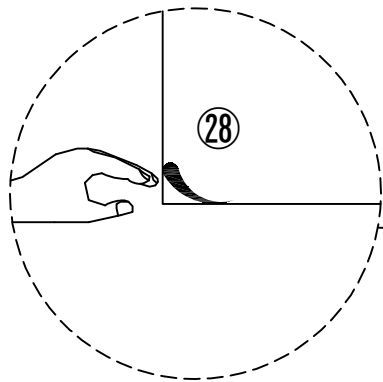


E*12 V*4 X*3



WARNING NOTE

There is a protective film on the mirror, please remove it
AFTER INSTALLATION.



In order to make the product
more beautiful, please paste
hardware I on the exposed holes

