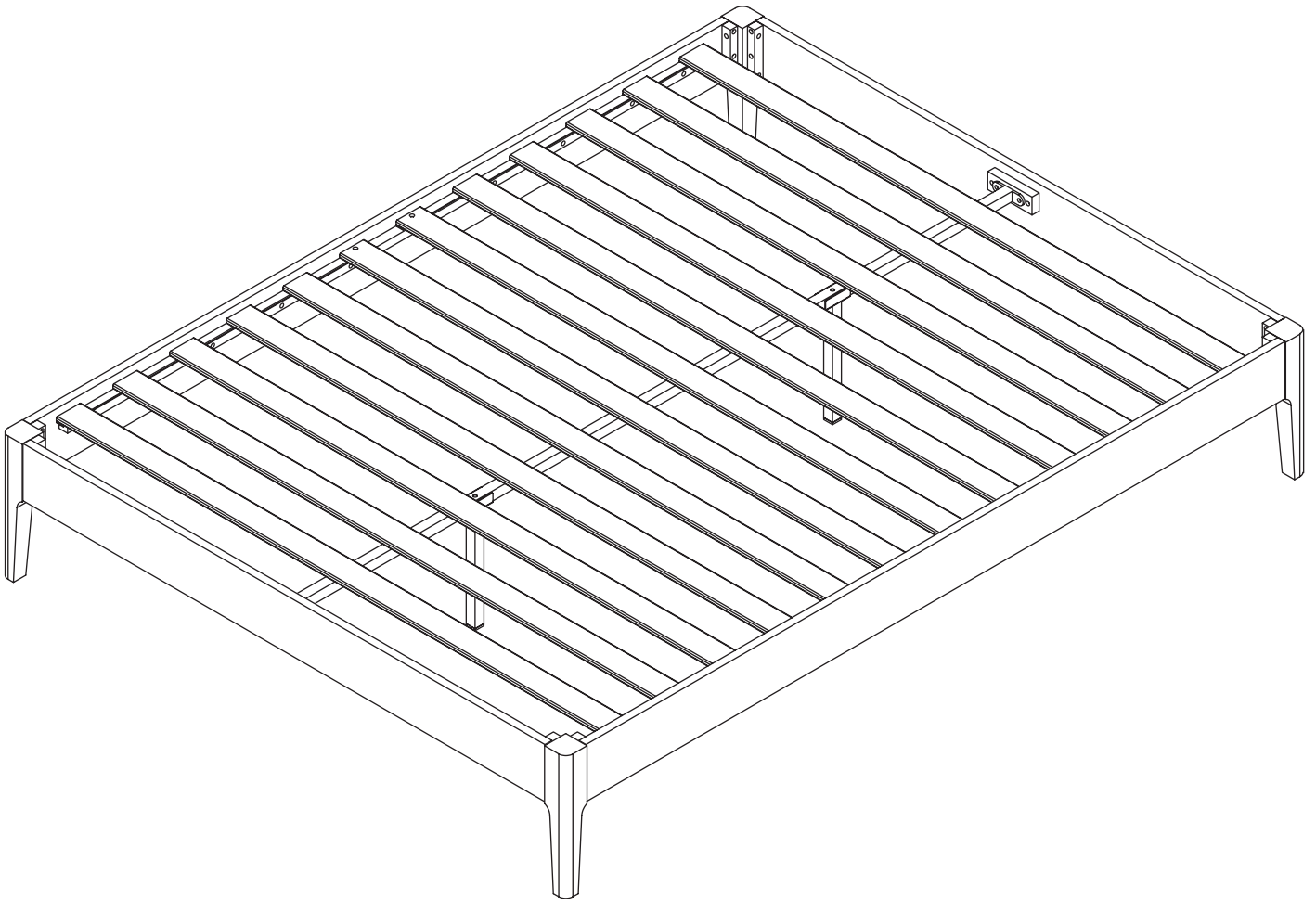


ASSEMBLY INSTRUCTION

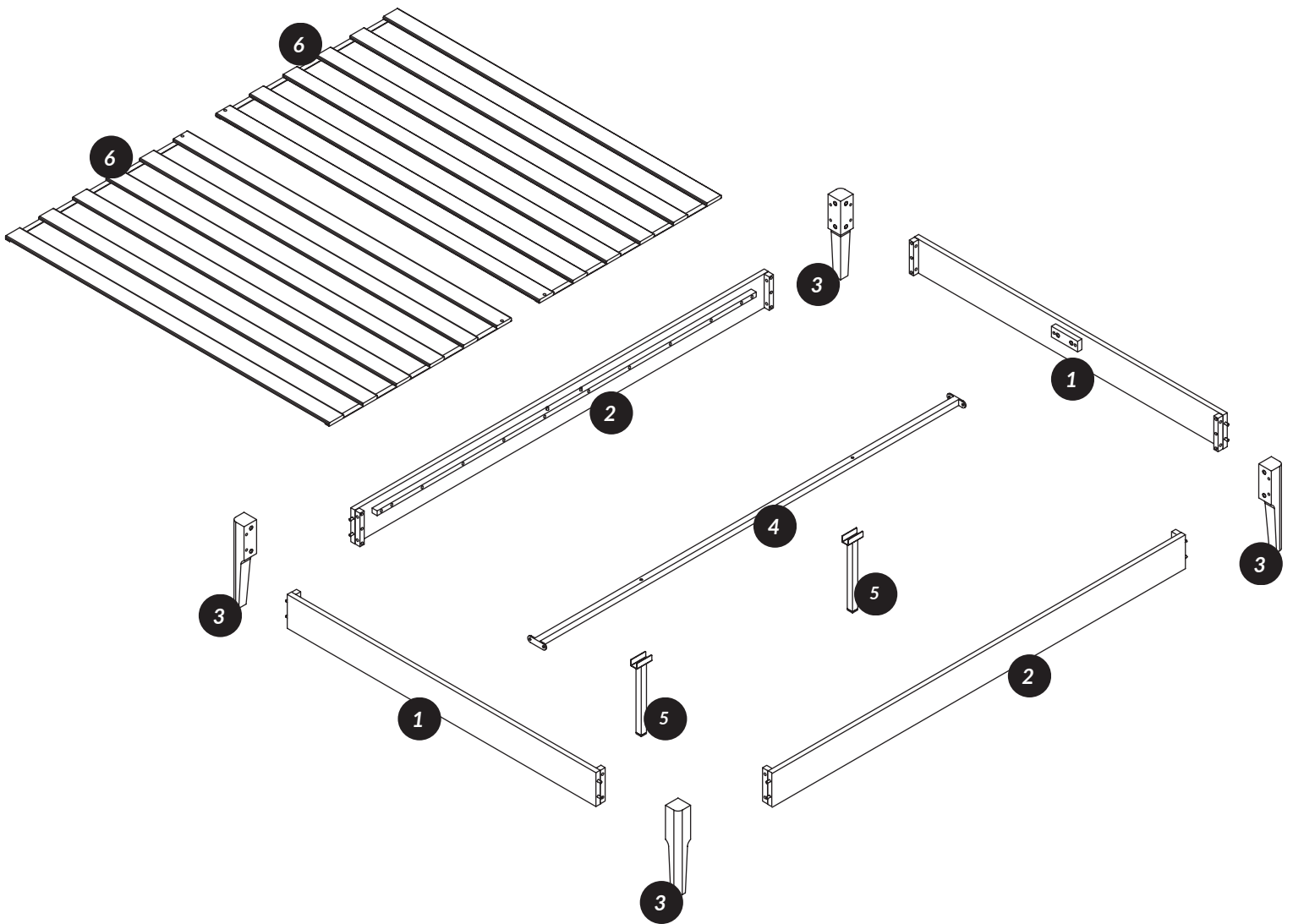
BED FRAME KING/ QUEEN



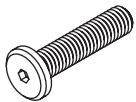
- Do NOT use a drill while assembling
- Assemble all parts on a soft surface

Read these instructions carefully and keep for future reference. Refer to parts inventory for guidance, and ensure you have all pieces before starting.

COMPONENT



HARDWARE



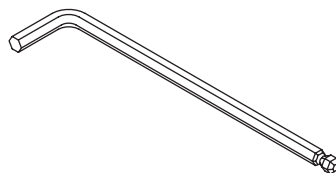
a M8 x 35 - 18 pcs



b M8 x 20 - 4 pcs

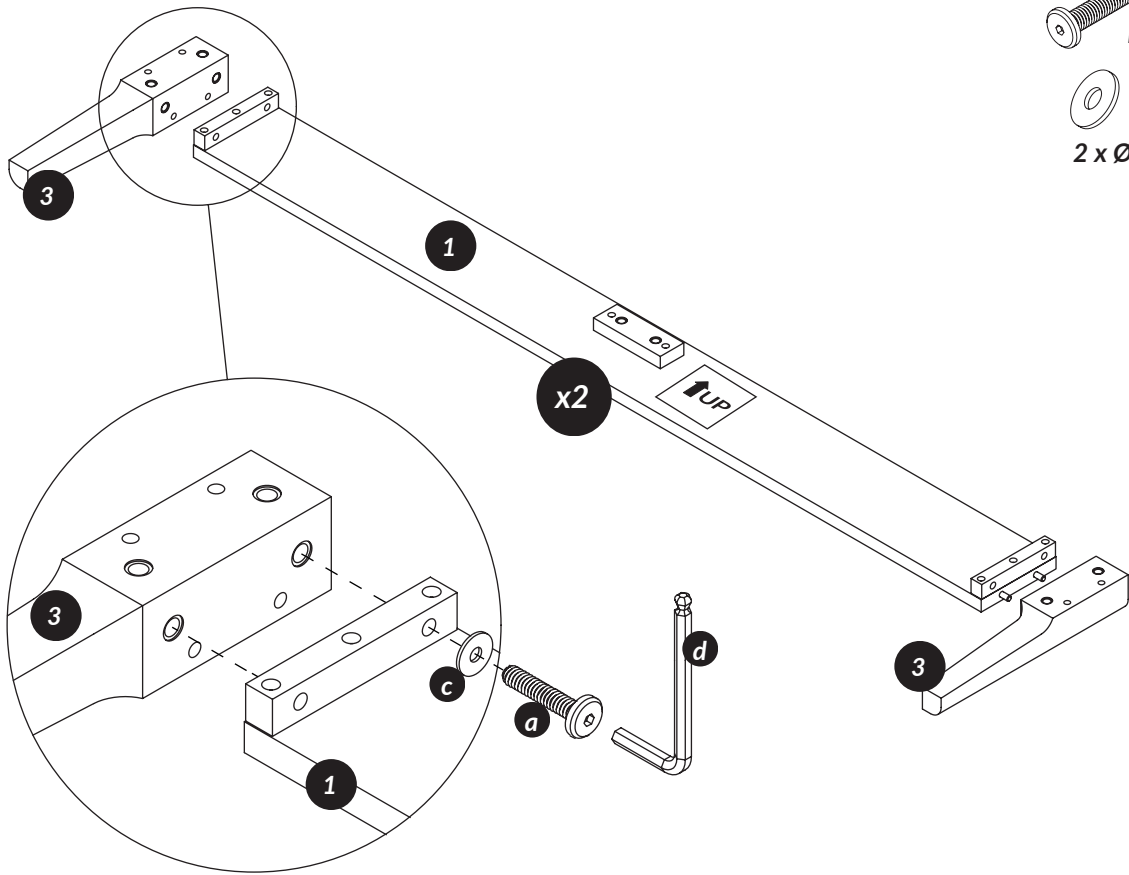


c 2 x Ø8.5 x Ø22 - 22 pcs



d Allen key - 1 pc

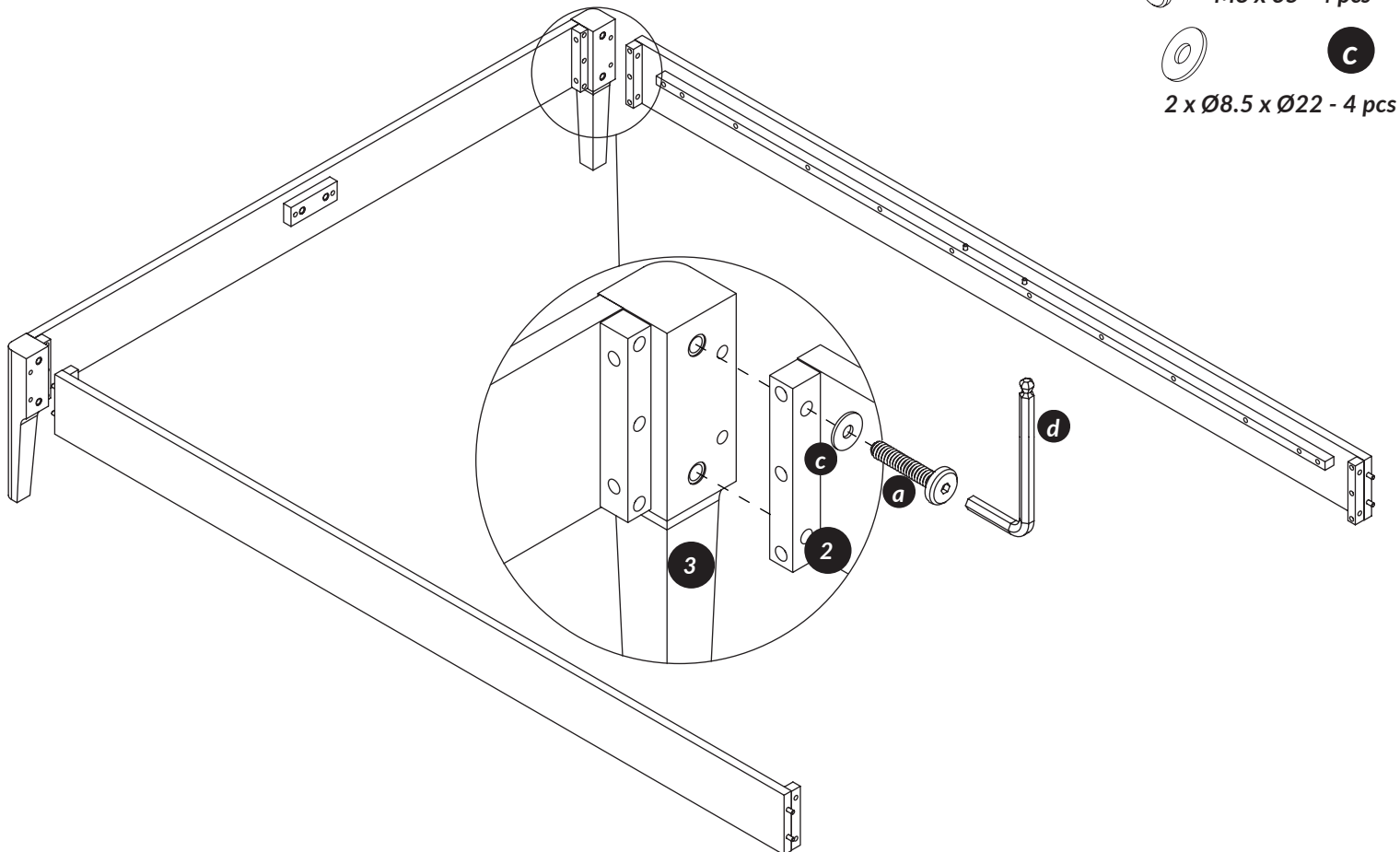
STEP 1



- a**
M8 x 35 - 8 pcs
- c**
2 x Ø8.5 x Ø22 - 8 pcs

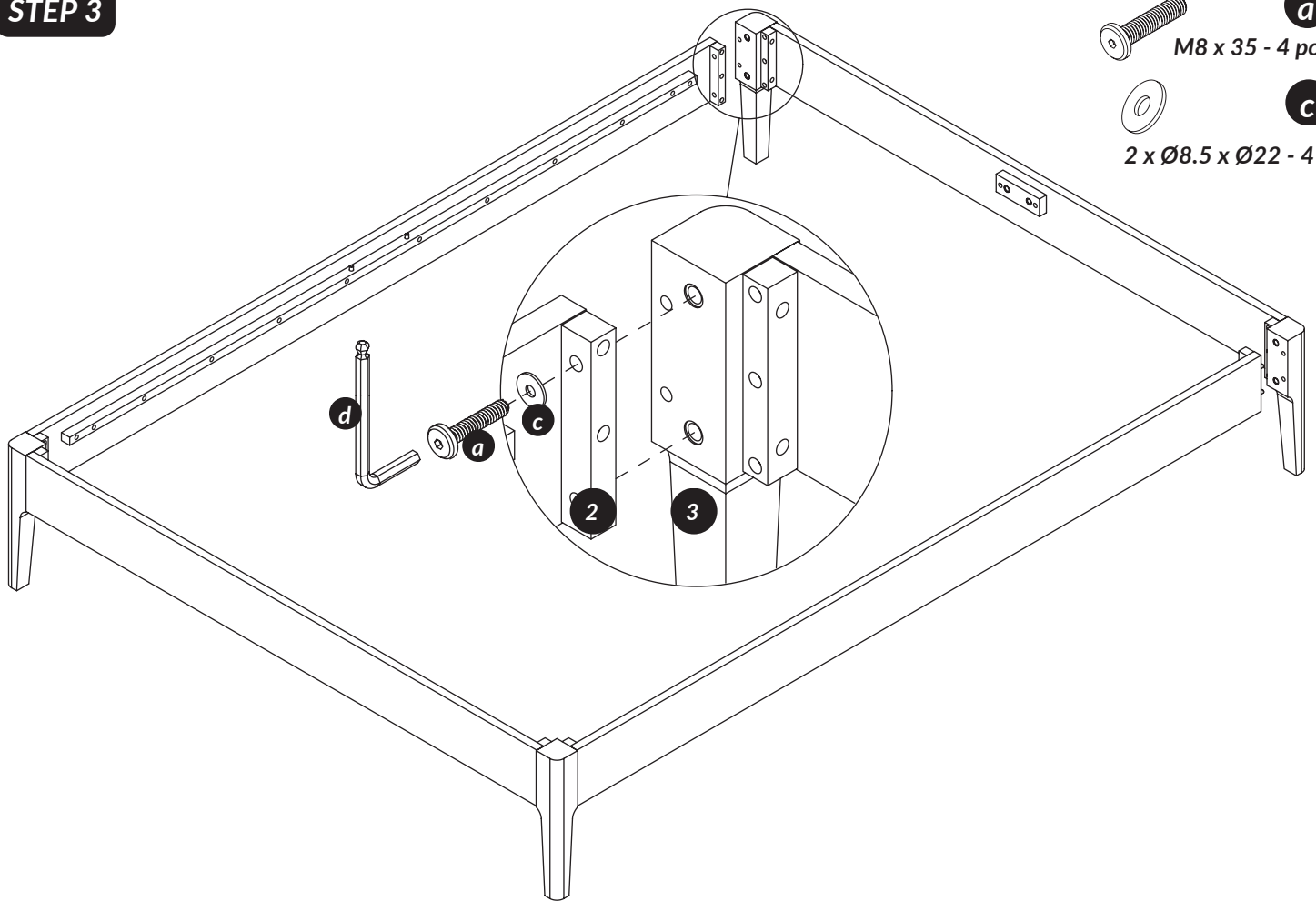
! Orient the part with the label facing upwards.

STEP 2



- a**
M8 x 35 - 4 pcs
- c**
2 x Ø8.5 x Ø22 - 4 pcs

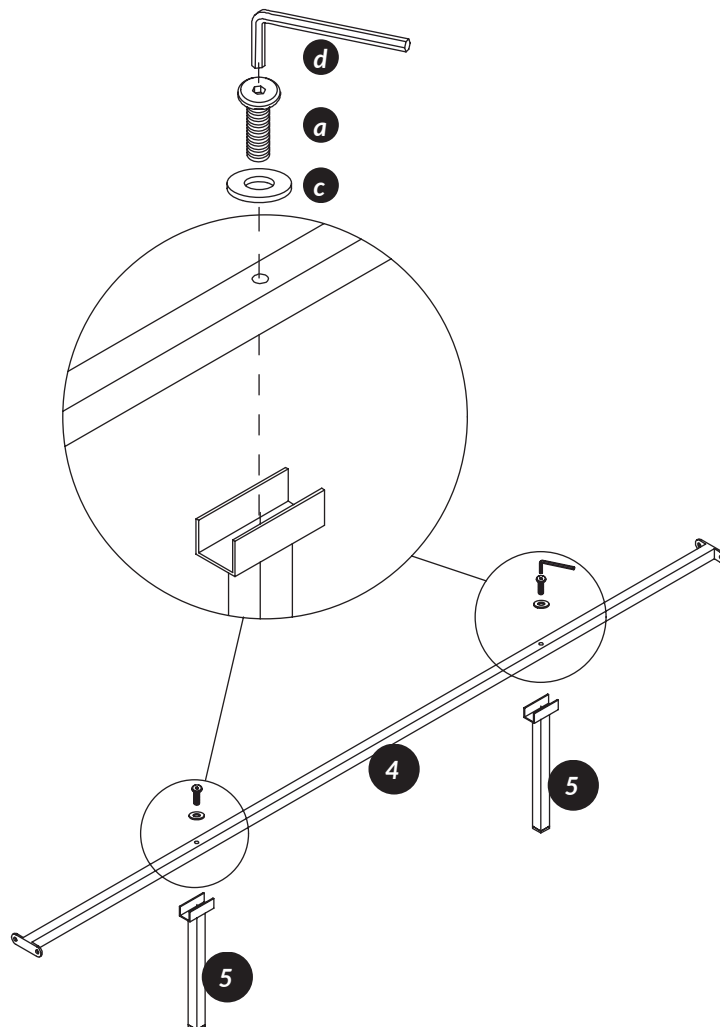
STEP 3



a
M8 x 35 - 4 pcs

c
2 x Ø8.5 x Ø22 - 4 pcs

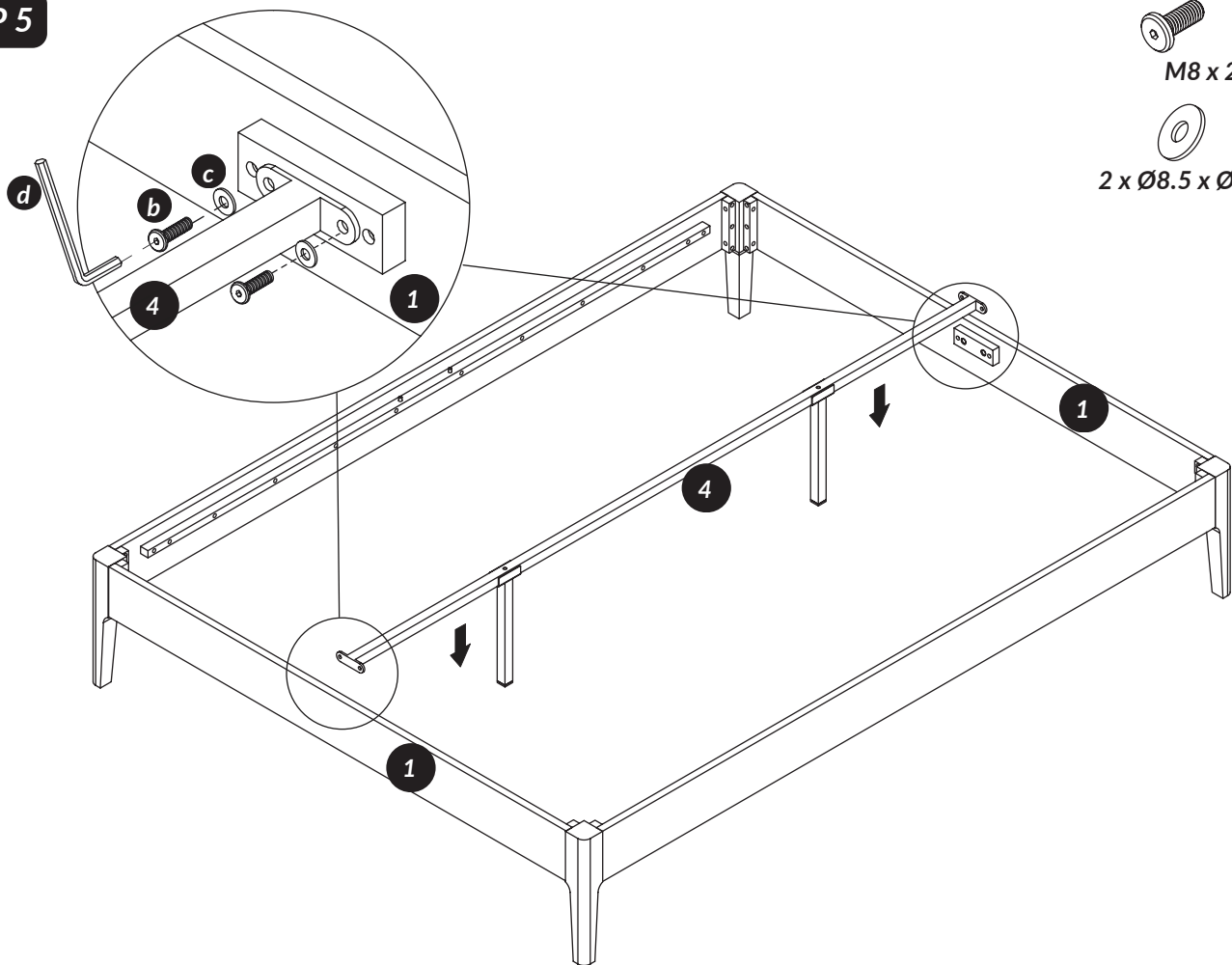
STEP 4



a
M8 x 35 - 2 pcs

c
2 x Ø8.5 x Ø22 - 2 pcs

STEP 5



b

M8 x 20 - 4 pcs



c

2 x Ø8.5 x Ø22 - 4 pcs

STEP 6

