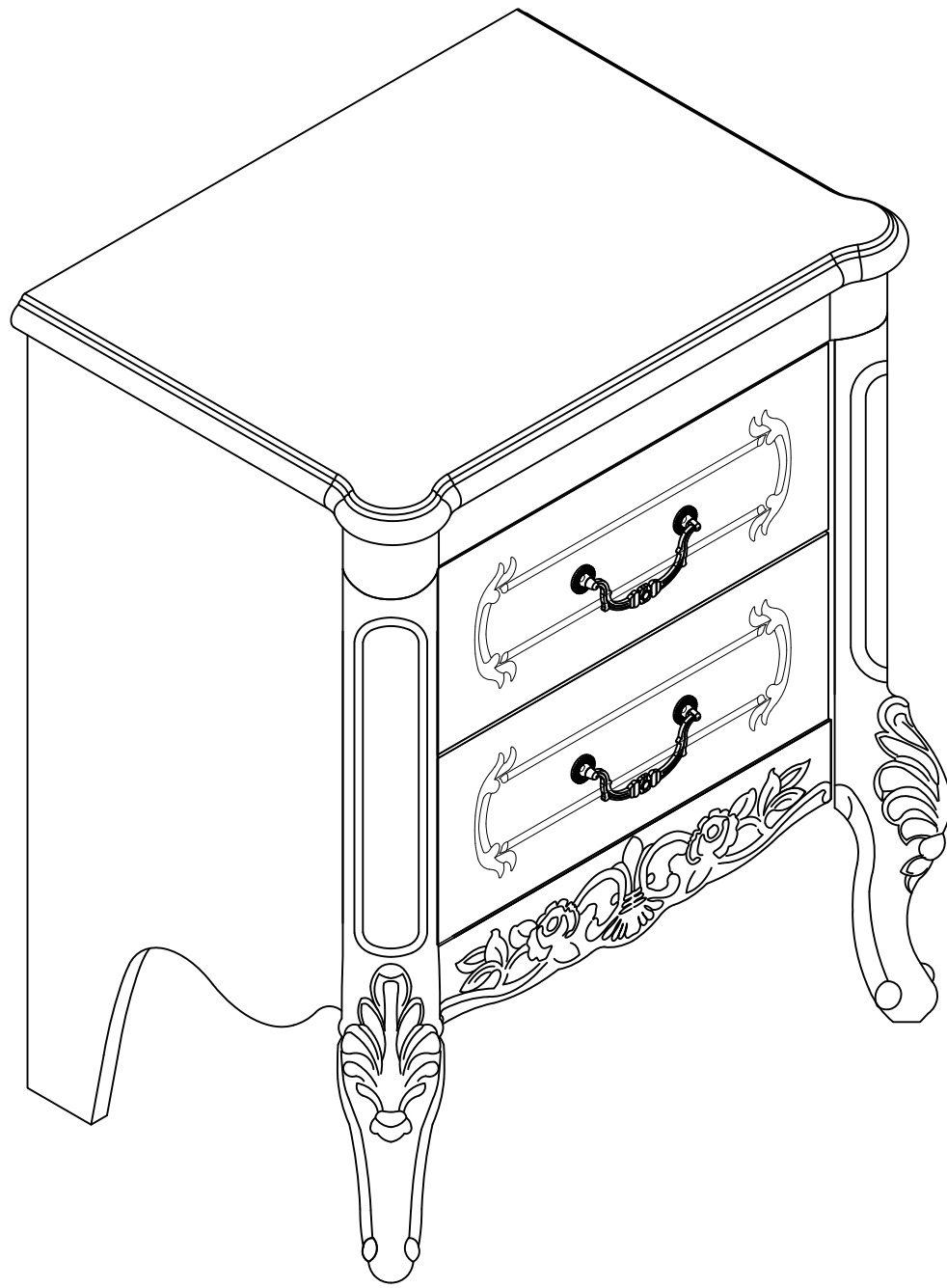


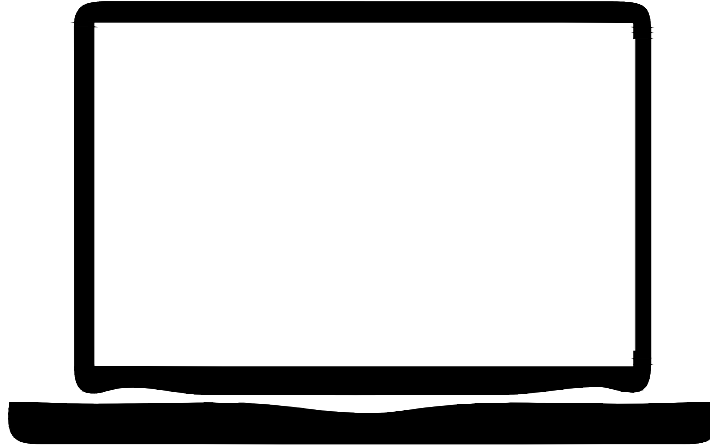
Assembly Instructions



bedside table

Contact Us

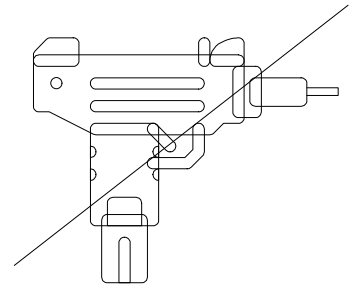
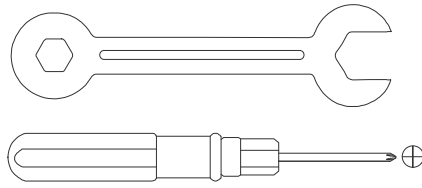
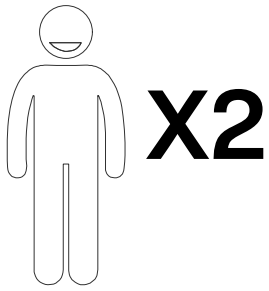
We're here to help you.



Your satisfaction is our top priority. If you encounter any issues with this product, such as missing or damaged parts, we're here to help. Please retain the original packaging and take photos of the packaging and the product, then contact us as soon as possible.

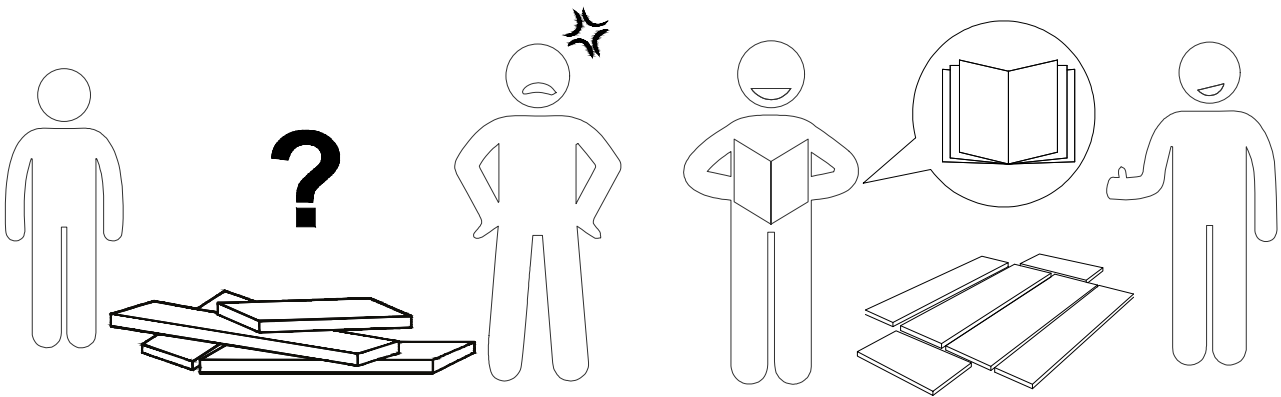
Warm Tips

1. Carefully read these instructions and keep them for future reference.
2. Check the parts list and confirm everything's there before starting assembly.
3. When assembling, put all parts on a soft, smooth surface like a carpet to avoid scratches.
4. Don't fully tighten screws until all parts are confirmed in place to avoid misalignment.



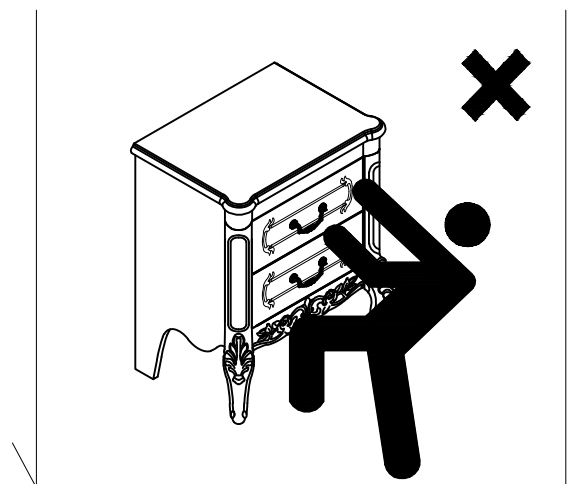
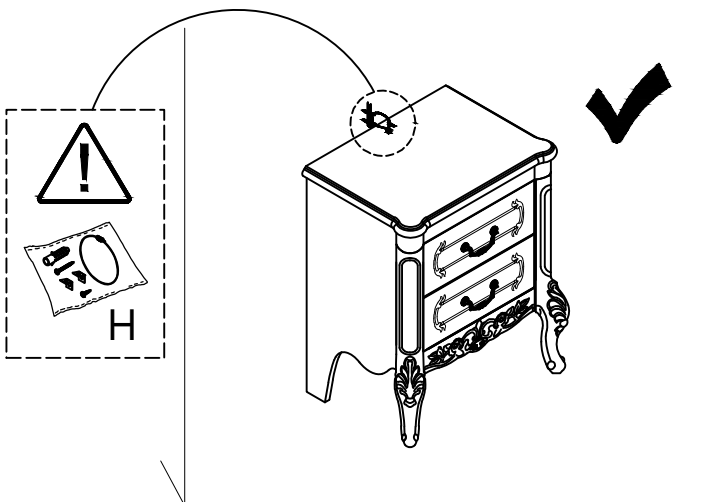
We recommend using hand tools for assembly.

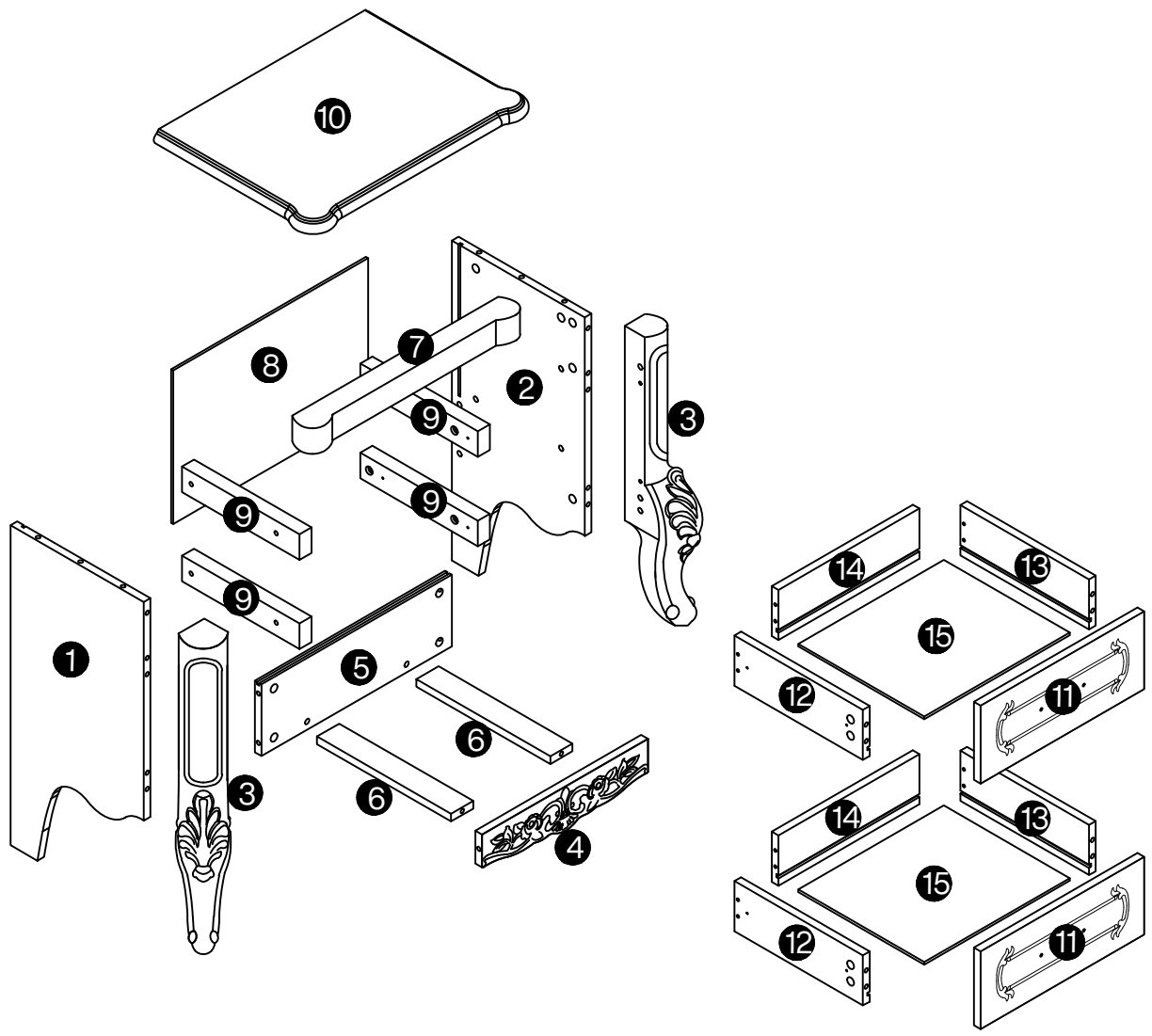
If an electric screwdriver is used, reduce power and torque to avoid damage to the product.



Install the Anti-Tip Straps

Using the anti-tip straps can reduce the risk of tipping over, but can not eliminate it.

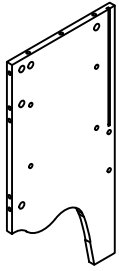




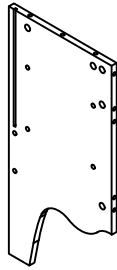
⚠ Caution

Make sure all parts are included. Most board parts are labeled or stamped on the raw edge. Contact us for a free replacement if you encounter any damaged or missing parts.

Parts List



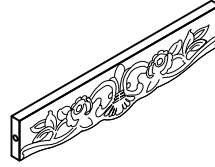
1 1pc



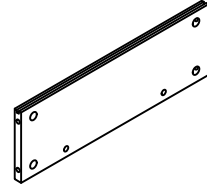
2 1pc



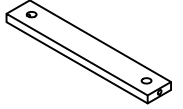
3 2pcs



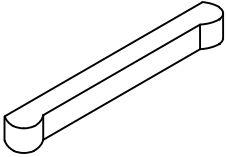
4 1pc



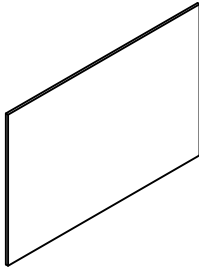
5 1pc



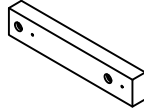
6 2pcs



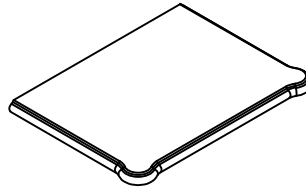
7 1pc



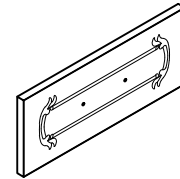
8 1pc



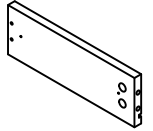
9 4pcs



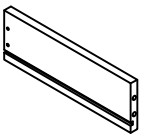
10 1pc



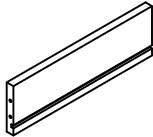
11 2pcs



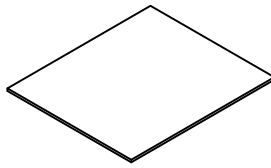
12 2pcs



13 2pcs



14 2pcs



15 2pcs

Hardware List



M6X35MM

A

12pcs



Ø8X30MM

B

6pcs



14X12X10MM

C

4pcs



300MM

D

2pcs



Ø3.5X14MM

E

20pcs



Ø4X20MM

F

4pcs



96MM

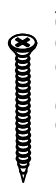
G

2pcs



H

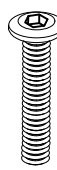
1pc



Ø3.5X35MM

I

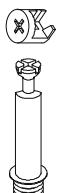
8pcs



Ø6X30MM

J

8pcs



M6X35MM

K

16pcs



L

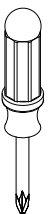
4pcs



M4

M

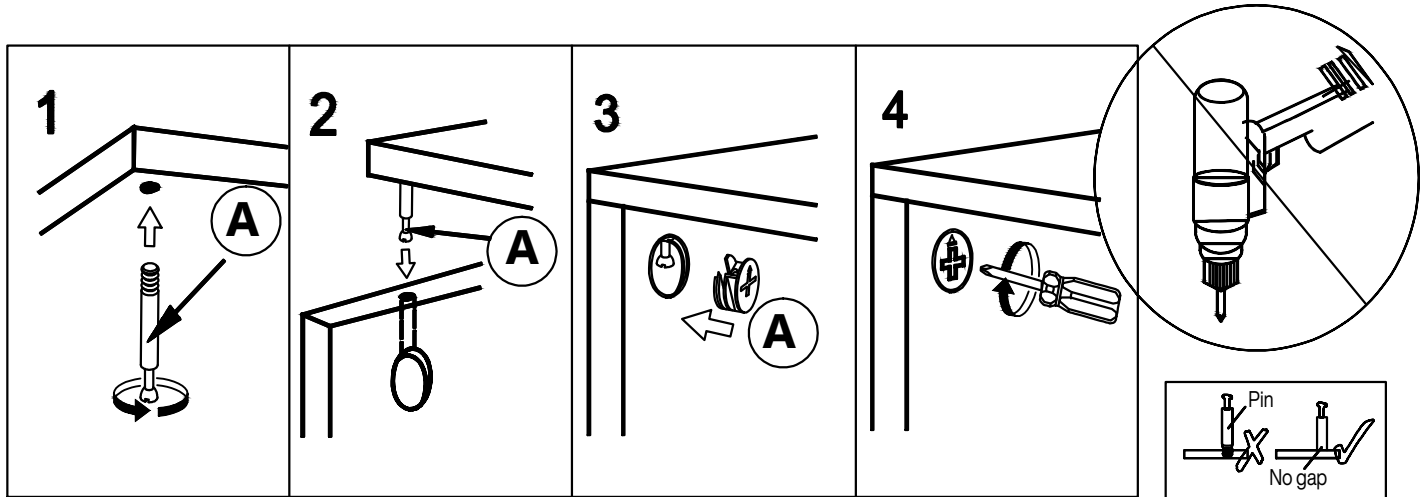
1pc



Screwdriver

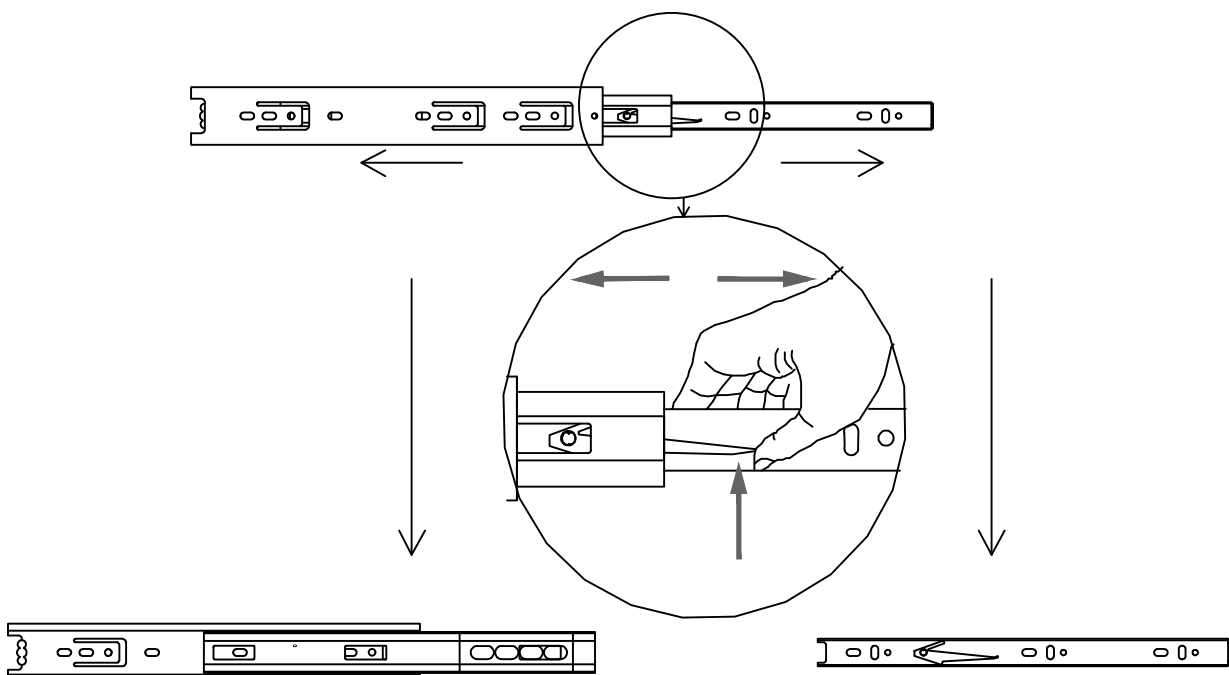
Installation of Cams and Pins

Screw the pin into the hole. To set the cams correctly, ensure that the arrow on the cam is opening to the hole of the pin it is locking. Lock the cam by turning the cam head with a screwdriver until it is tightened. Please do not use an electric screwdriver to assemble the unit.



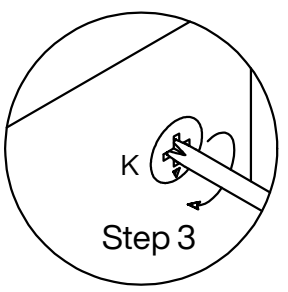
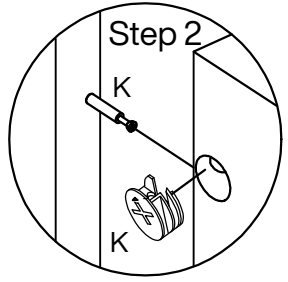
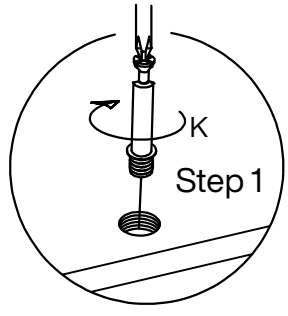
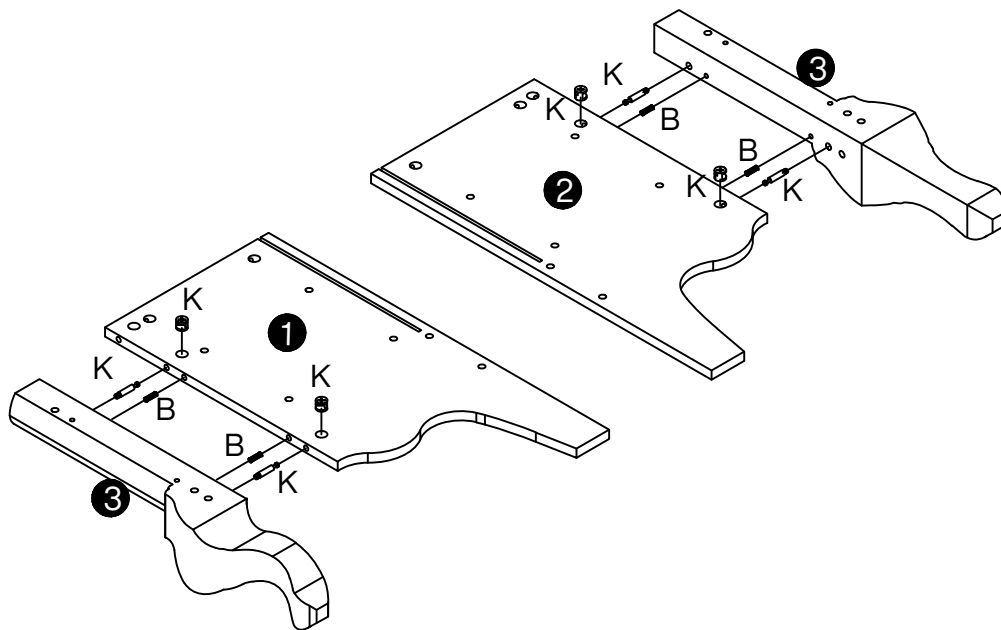
Read each step carefully before starting. It is very important that each step of instruction is performed in the correct order. If these steps are not followed in sequence, assembly difficulties will occur.

Three section guide rail diagram



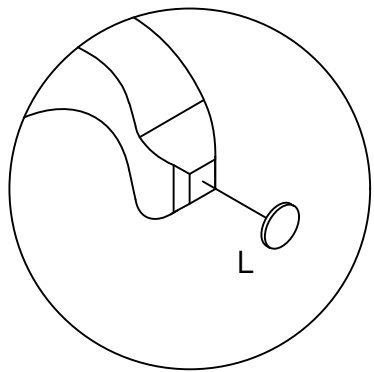
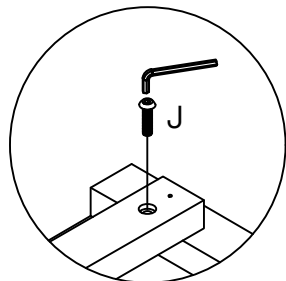
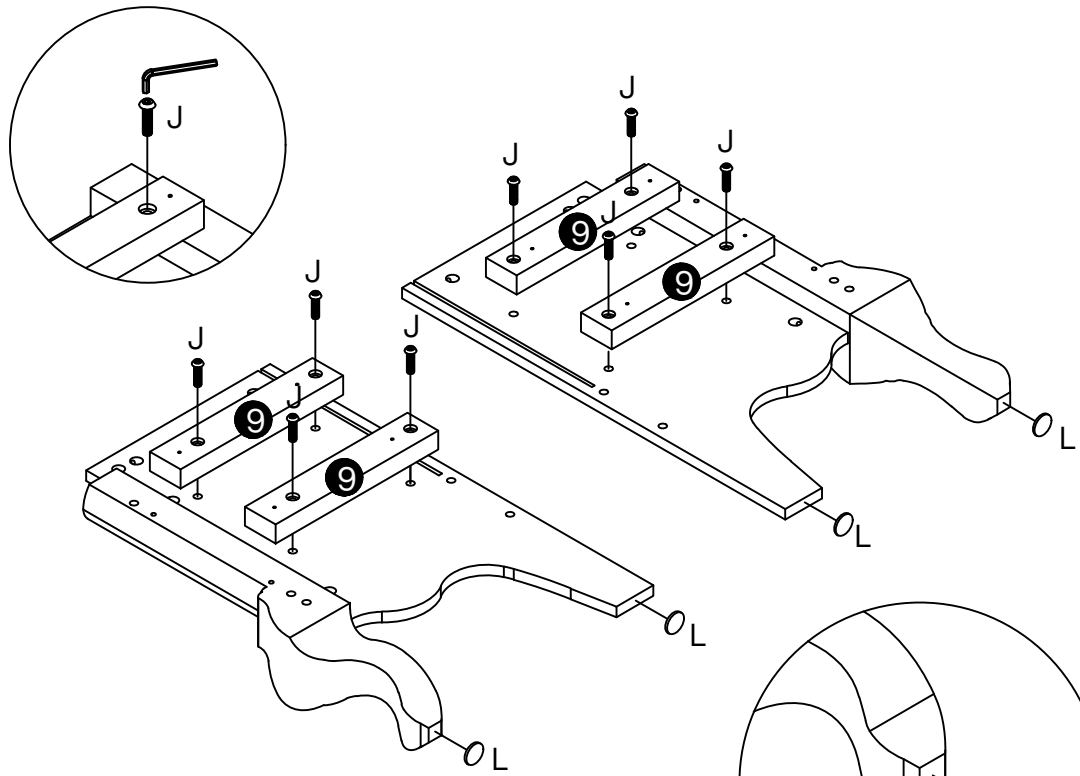
Disconnect the rail with the BLACK PLASTIC PART.
It needs to be pulled down to disconnect the runners.

1



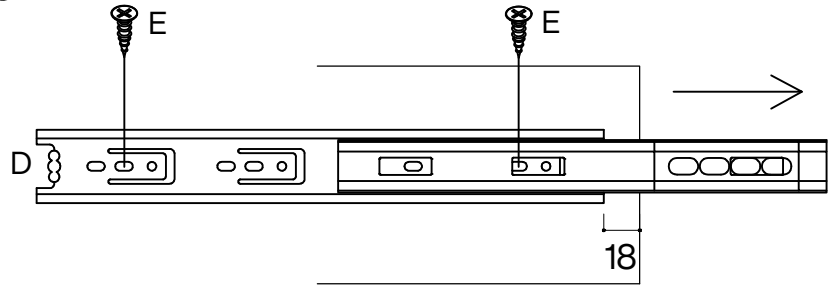
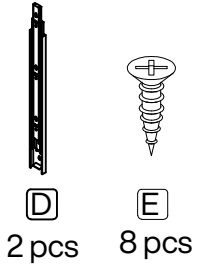
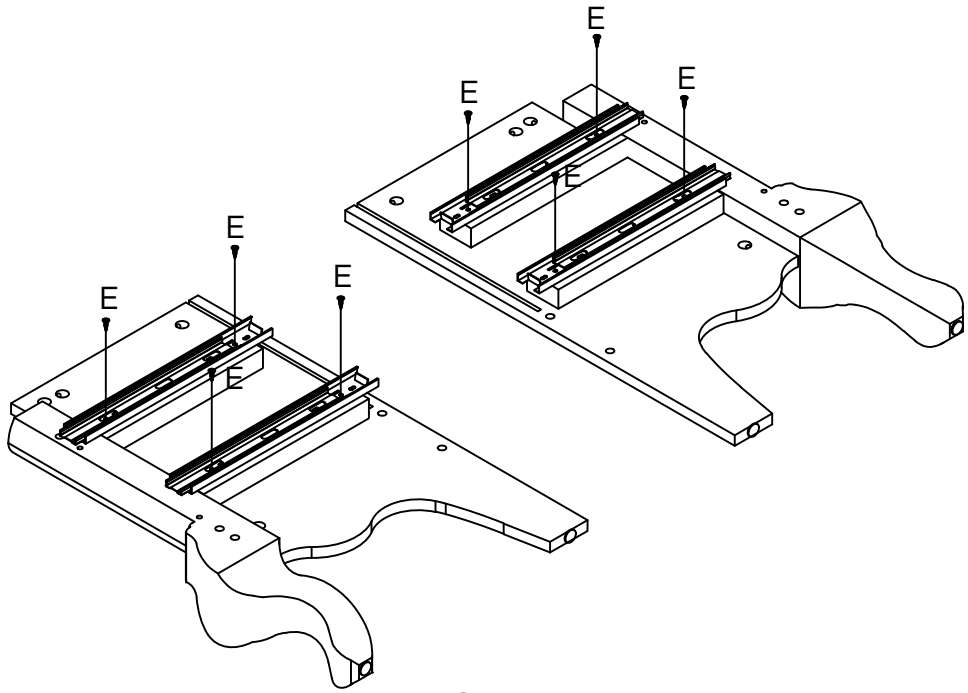
- K**
4 pcs
- B**
4 pcs

2

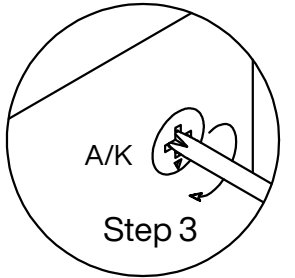
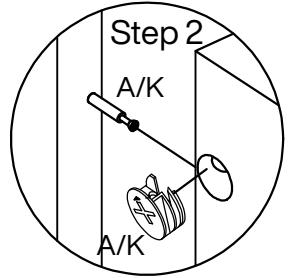
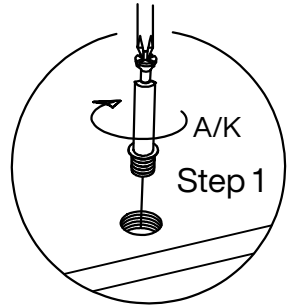
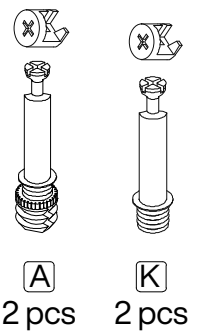
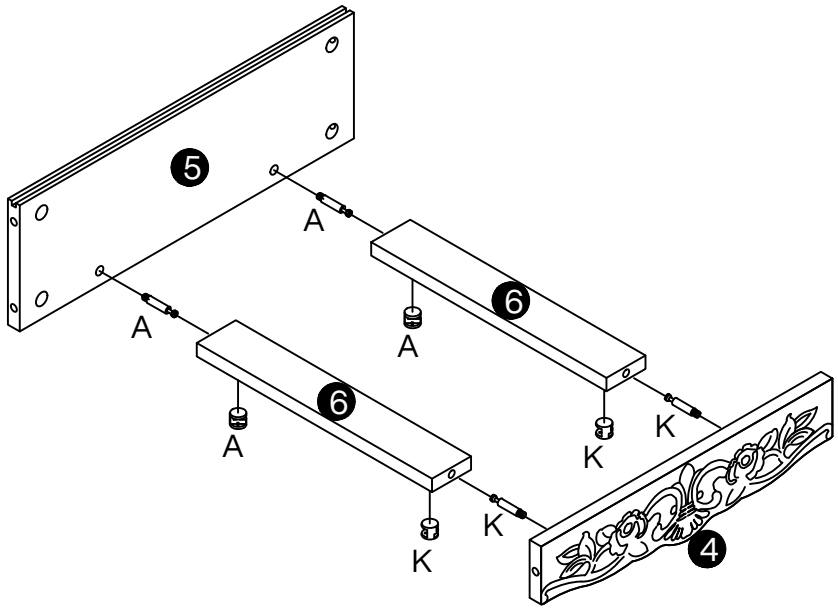


- J**
8 pcs
- L**
4 pcs

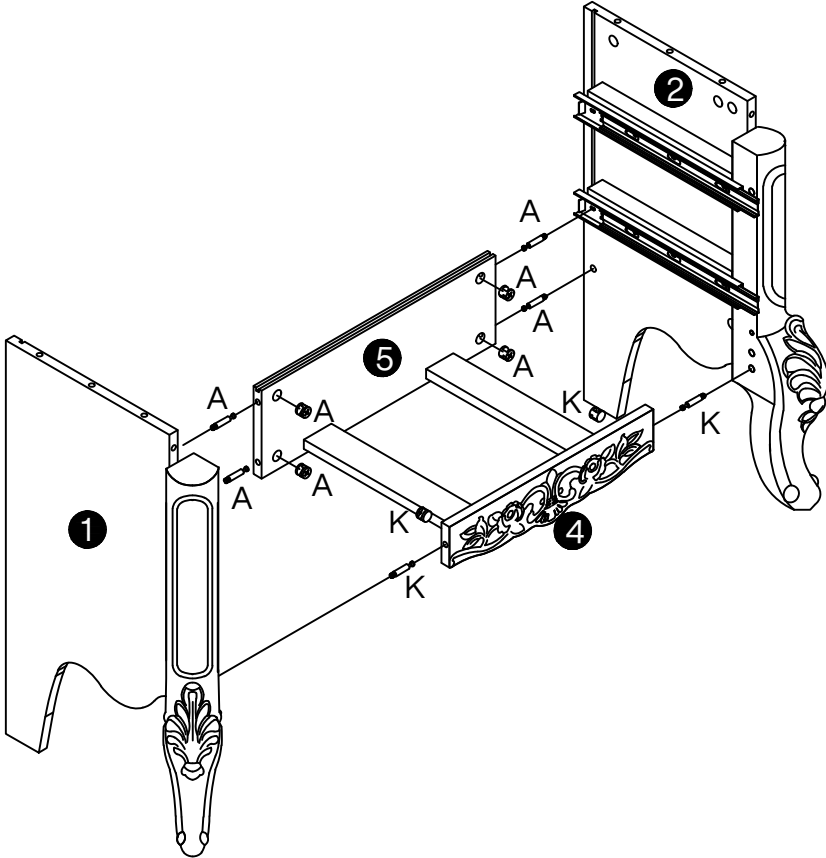
3



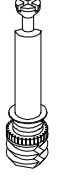
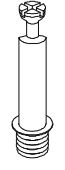


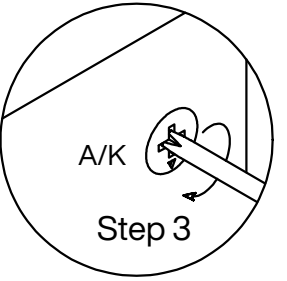
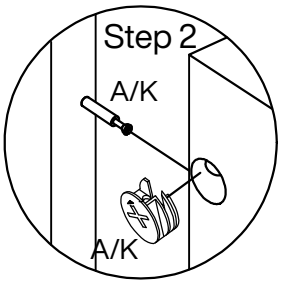
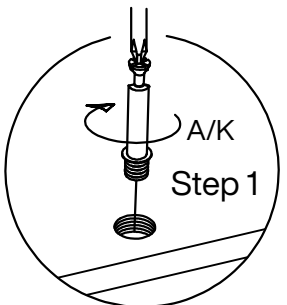
4



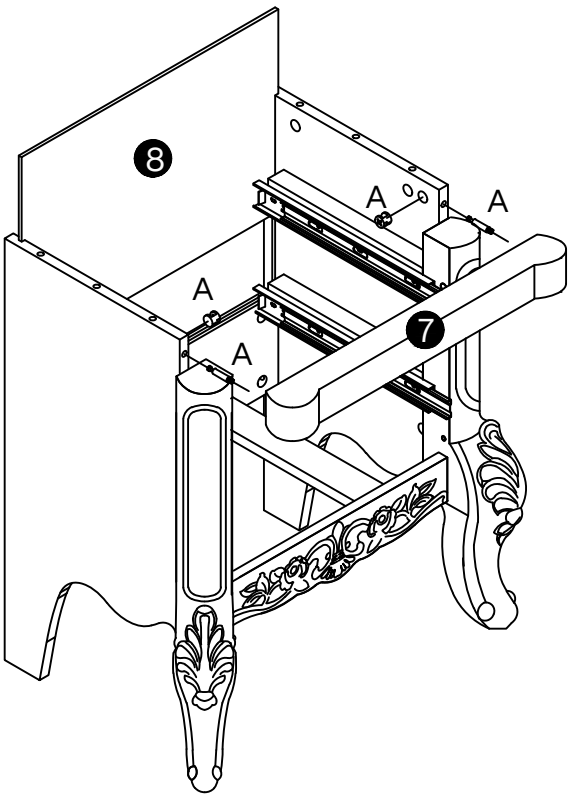
5


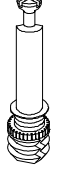


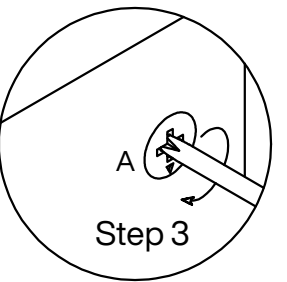
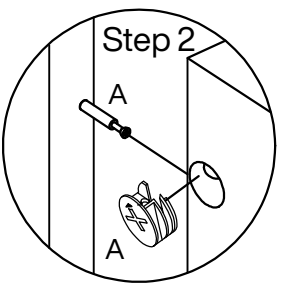
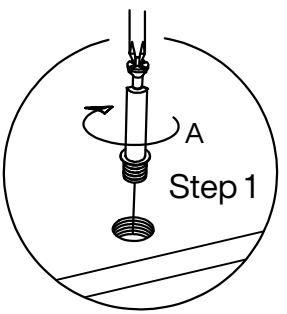
-  
-  
- A** **K**
- 4 pcs 2 pcs



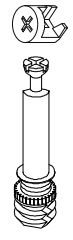
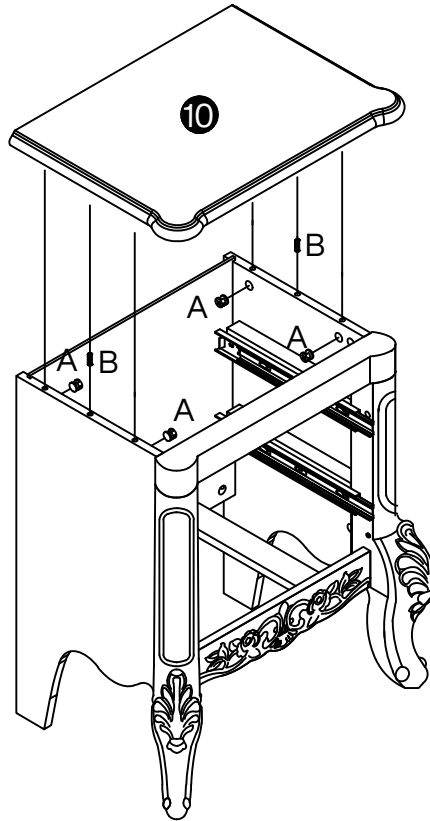
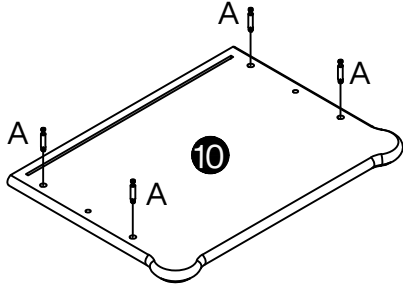
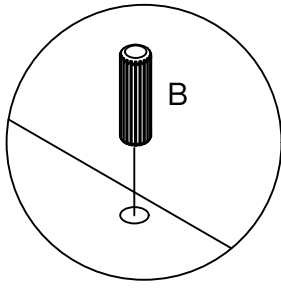
6



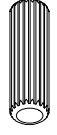
- 
- 
- A**
- 2 pcs



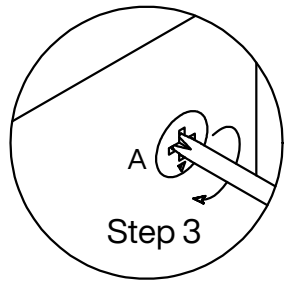
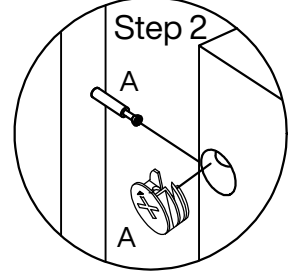
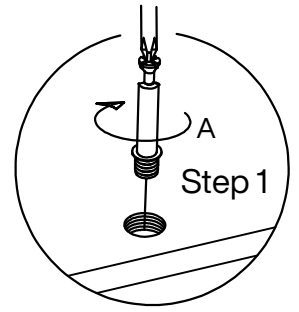
7



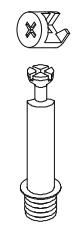
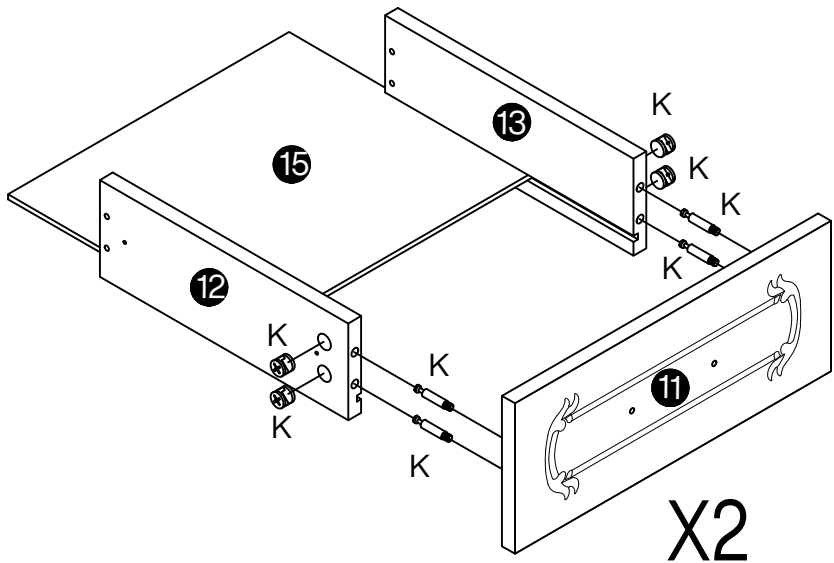
A
4 pcs



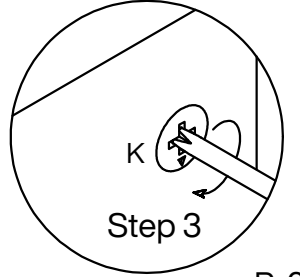
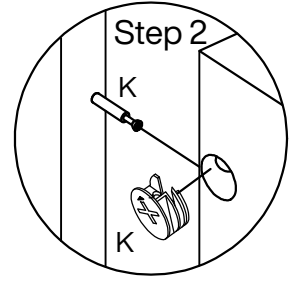
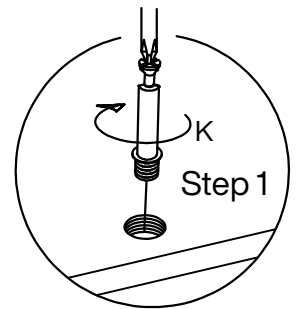
B
2 pcs



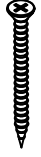
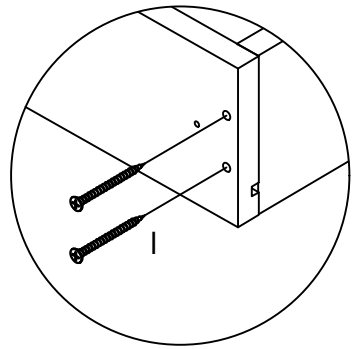
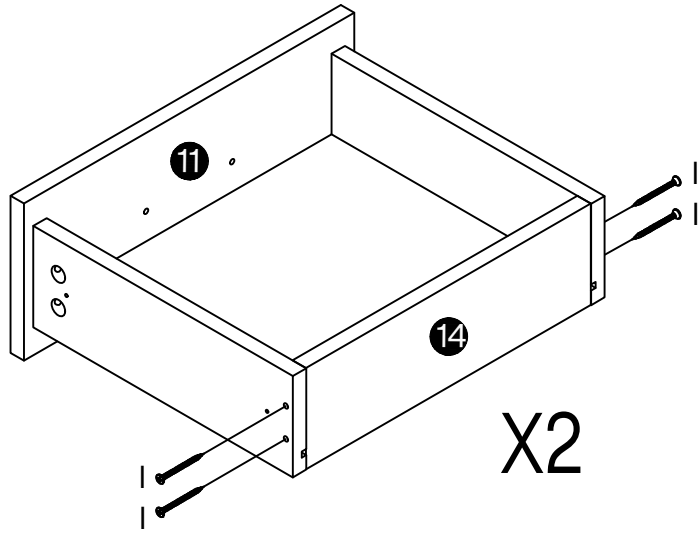
8



K
4 pcs

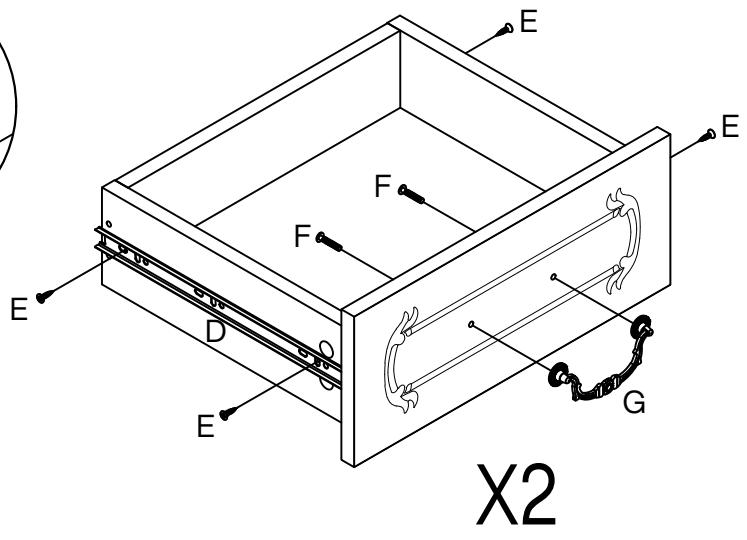
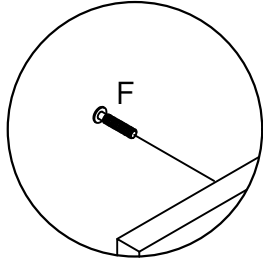


9

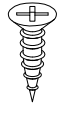


I
4 pc

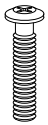
10



D
1 pcs



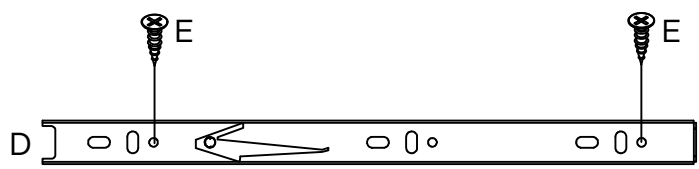
E
4 pcs



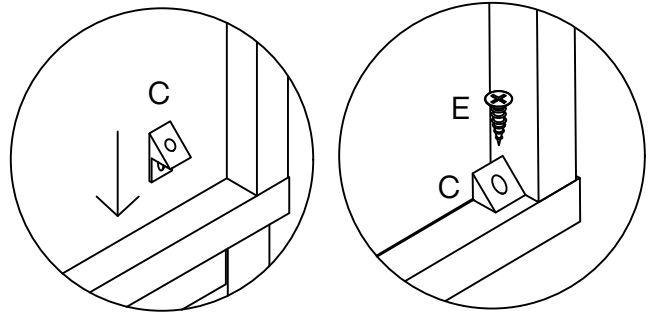
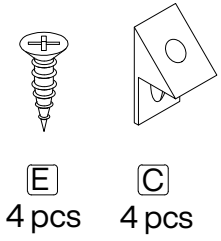
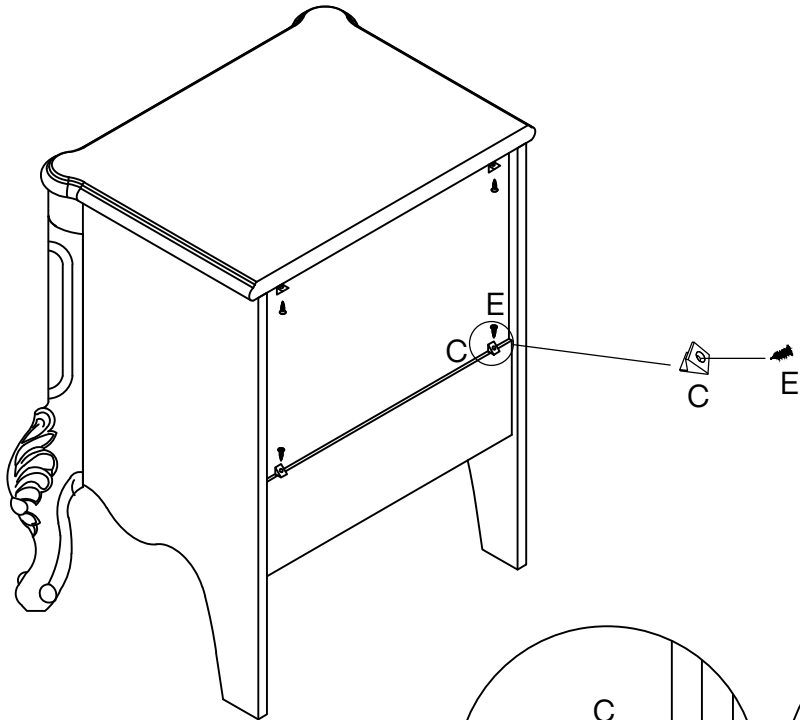
F
2 pcs



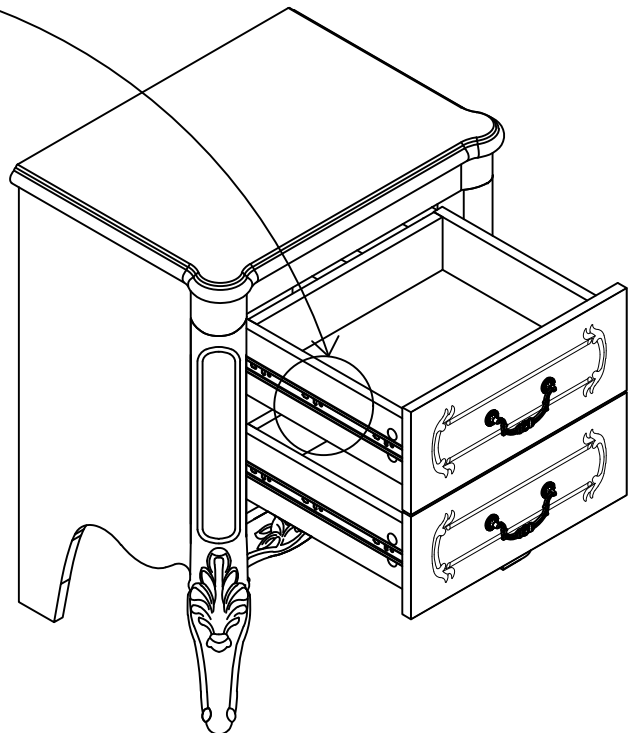
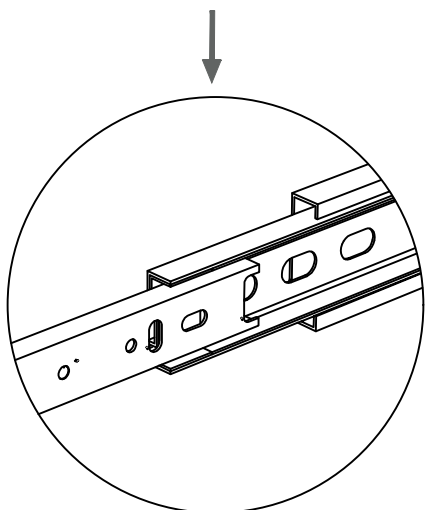
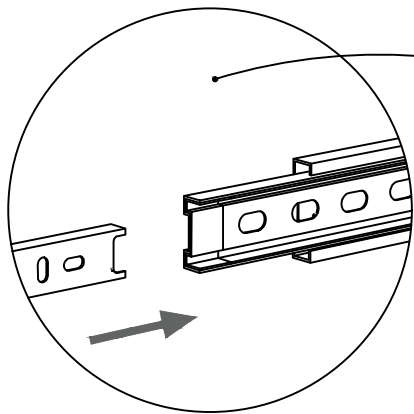
G
1 pcs



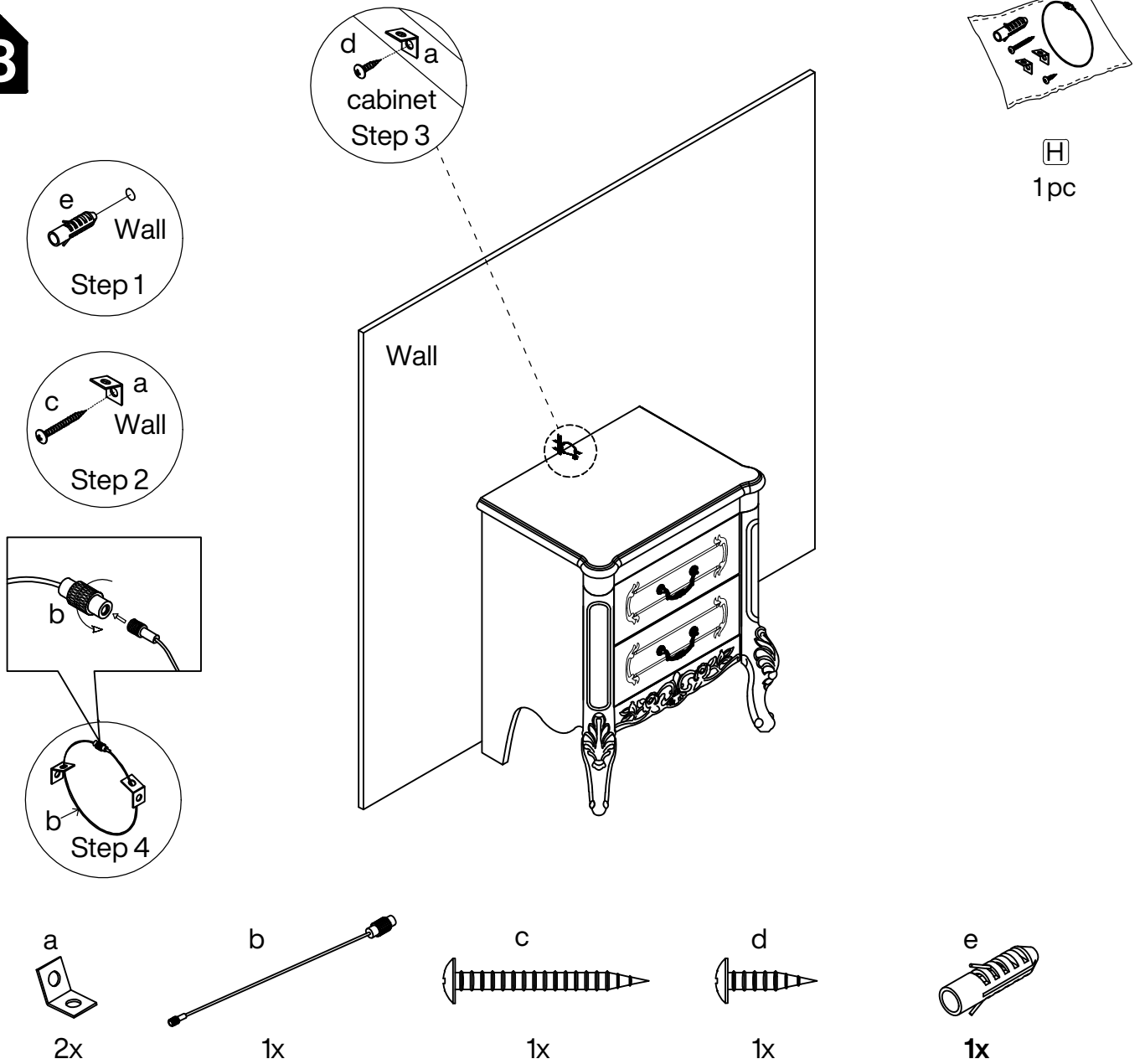
11



12



13



Installation Steps:

1. Drill a hole on the wall, insert the expansion bolt (e) into the hole.
2. Secure one bracket (a) into the expansion bolt (e) using the screw(c).
3. Position the furniture in place. Attach another bracket(a) (aligns with the bracket on the wall) to the back edge of unit top using the screw(d),
4. Thread the male end of the steel cable(b) through both brackets. Securely join the ends by turning the female connector clockwise.

Note:

Before installing the anti-tip kit, please determine where the furniture is to be placed and locate the center line of a wooden stud using a stud finder.
For a concrete wall, ensure no steel bars inside it.

Thank you for your support !

