

NOTICE

- * Please make sure that you have all parts indicated and they are in good condition before you begin assembly of this item. Refer to part list and hardware list below for guidance.
- * This item should be assembled on a soft surface to prevent scratching the finish during assembly.
- * This item may require periodic tightening.
- * If you are having difficulty, our friendly Customer Care team is always here to help. Please email customersupport@safavieh.com



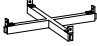




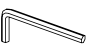
PREPARATION

- * Before beginning assembly of product, make sure all parts are present. Compare parts with part contents list and hardware contents list.
- * If any part is missing or damaged, do not attempt to assemble the product.
- * Estimated Assembly Time: 20 minutes.
- * Tools Required for Assembly (included): Allen Key
- * Require 2 person for assembly.

CARE AND MAINTENANCE

- Always use felt pads under all articles to prevent discoloration or softening of the lacquer. Plastic and rubber bases on items can discolor wood. Wipe up spills immediately and avoid common hazards such as hot dishes, harsh solvents and abrasives. Cleaning should be done with a soft lint free cotton cloth dampened with water or furniture polish. On highly used surfaces we recommend applying a quality paste wax which should be used on a regular basis to provide additional protection from scratches and spills. How often you apply the wax depends on how much wear the furniture receives.

PARTS & HARDWARE LIST

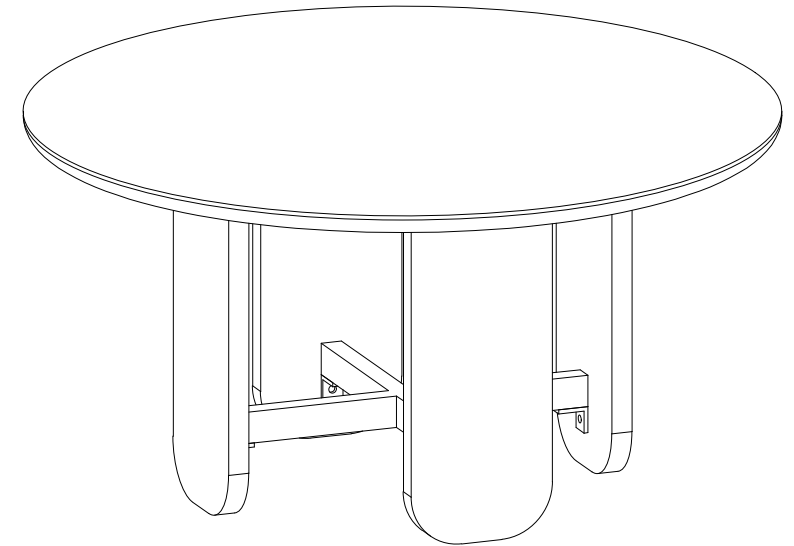
Piece	Description	Picture	Quantity
A	Wooden Top		1x
B	Wooden Legs		4x
C	Leg Support		1x
HW1	Assembly Plate		4x
HW2	JCB Bolts (13x8mm)		12x
HW3	Flat Washer (25x8)		12x
HW4	CSK Bolts (25x8mm)		4x
HW5	Allen Key (5mm)		1x

SAFAVIEH

C O U T U R E

ITEM ID : SFV9742

PRODUCT DIMENSION : 35"WX35"Dx18"H



⚠ WARNING ⚠

Weight Capacity : 100 lbs

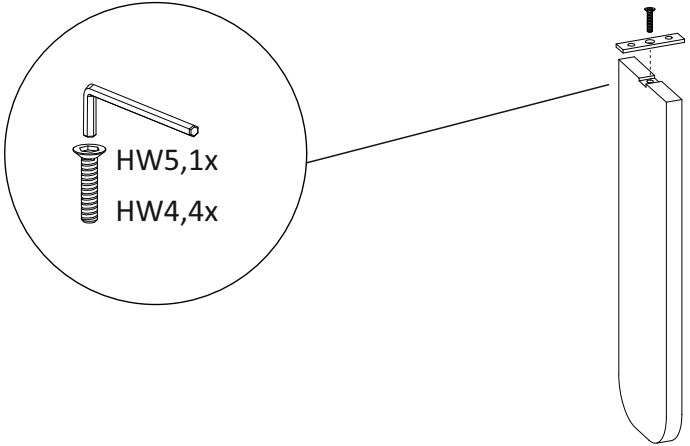
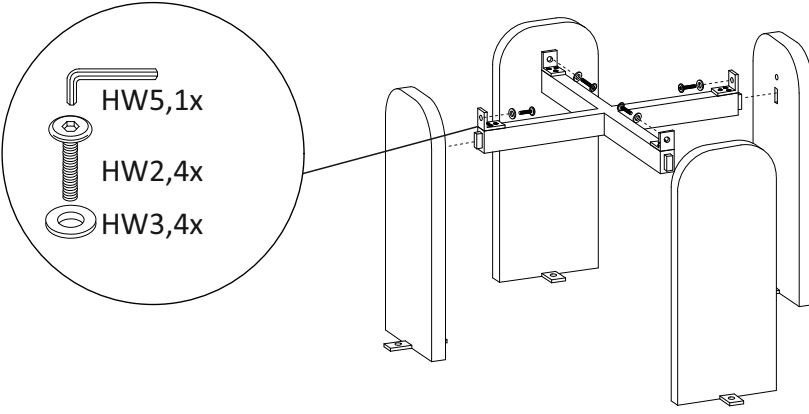
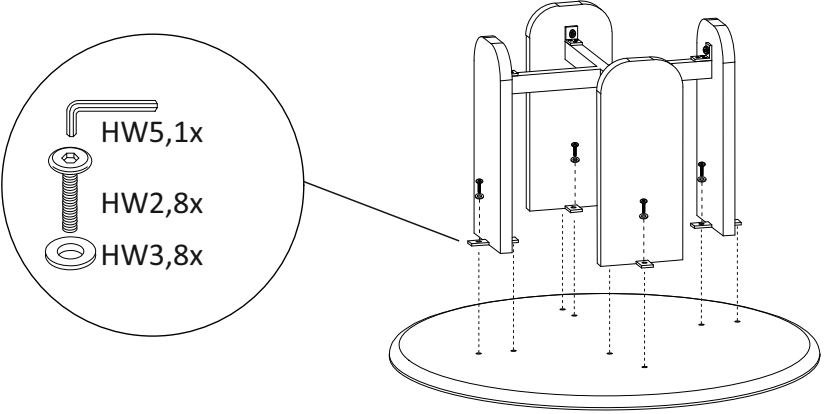
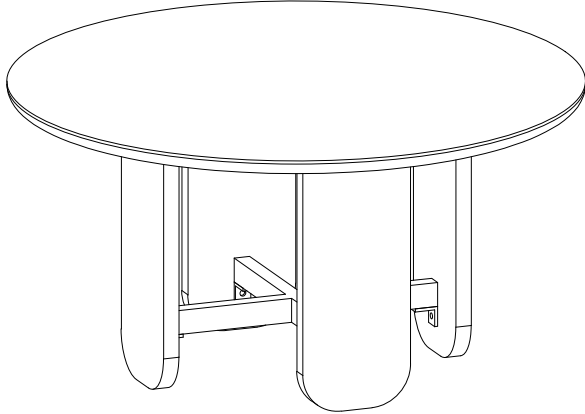
WARNING : DO NOT STAND/SIT ON COFFEE TABLE

WARNING : DO NOT DRAG COFFEE TABLE

WARNING : HEAVY PRODUCT

PREPARATION

- * Before beginning assembly of product, make sure all parts are present. Compare parts with part contents list and hardware contents list.
- * If any part is missing or damaged, do not attempt to assemble the product.
- * Estimated Assembly Time: 20 minutes.
- * Tools Required for Assembly (included): Allen Key
- * If you are having difficulty, our friendly Customer Care team is always here to help. Please email customersupport@safavieh.com

	
<p>STEP 1: Attach the Assembly Plate (HW1) to the legs (B) by using the Allen Key (HW5) to screw in the CSK Bolts (HW4) into the middle holes of the assembly plate as shown. Repeat for all the legs.</p>	<p>STEP 2: Attach the Leg Support (C) to the legs (B) by using the Allen Key (HW5) to screw in the JCB bolts (HW2) with the Flat Washers (HW3) as shown. Firmly tighten the bolts.</p>
	
<p>STEP 3: Place the Wooden Top (A) upside down on a flat, soft surface. Align the screw holes on the top to the screw holes on the assembled base. Place the Flat Washers (HW3) on the JCB Bolts (HW2) and use the Allen Key (HW5) to screw in the bolts to attach the legs to the top. Firmly tighten the bolts.</p>	<p>STEP 4: Turn the table right side up. Your product is now ready for use.</p>