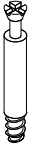


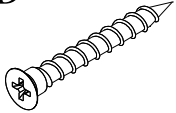
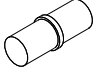
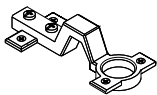


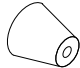

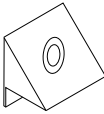
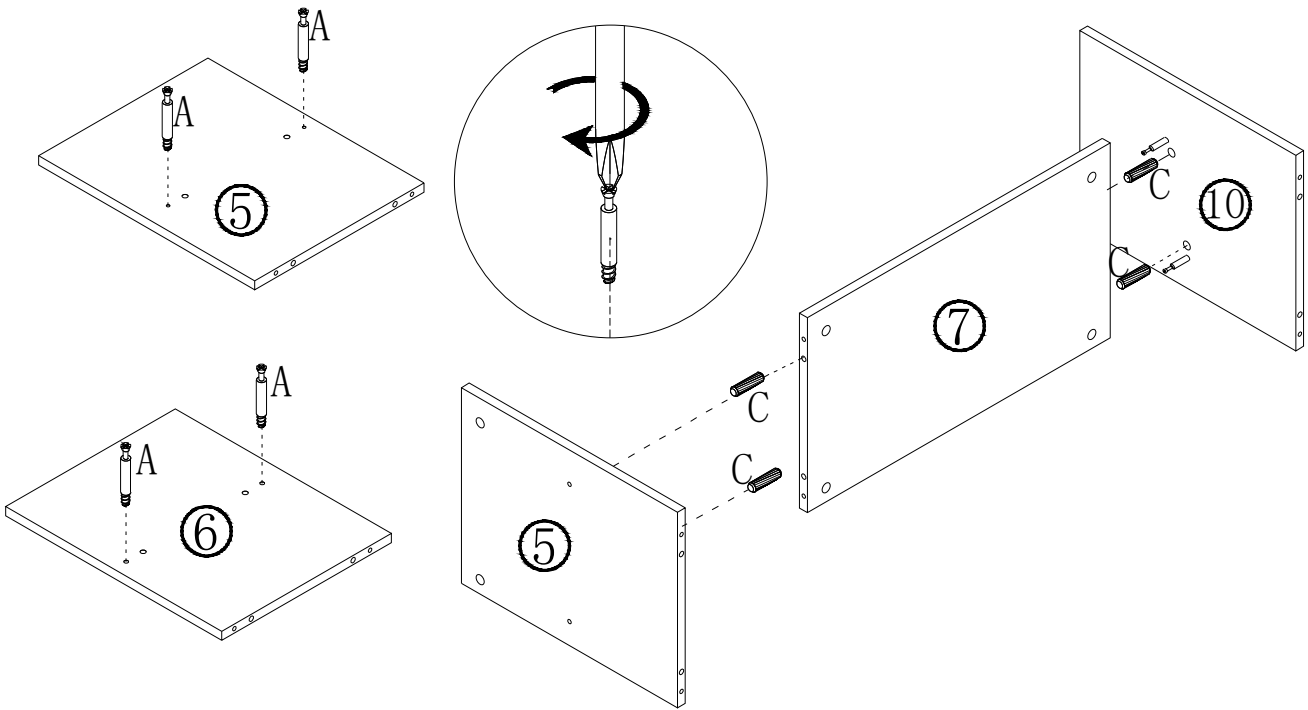
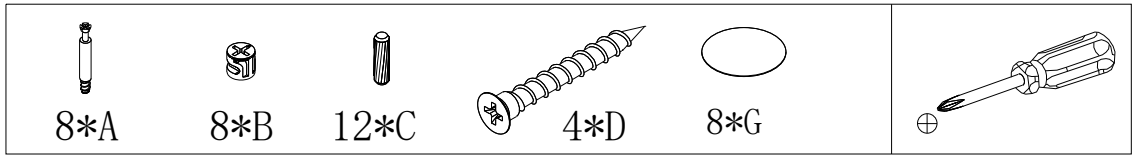
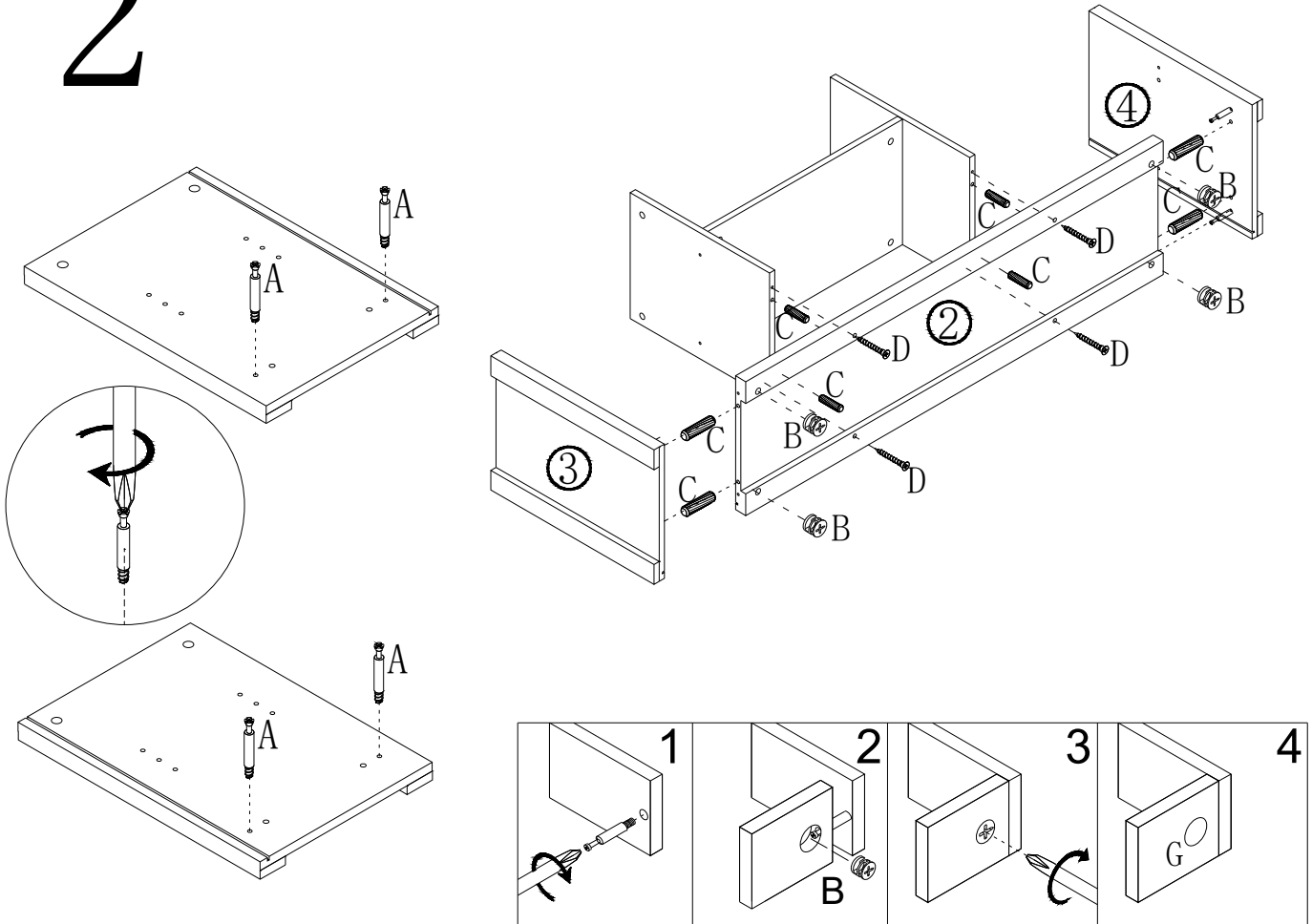


<p>16*A</p>  <p>Ø7*43mm</p>	<p>16*B</p>  <p>Ø15*11.5mm</p>	<p>20*C</p>  <p>Ø8*30mm</p>	<p>4*D</p>  <p>Ø5*38</p>
<p>8*E</p>  <p>Ø5mm</p>	<p>4*F</p> 	<p>16*G</p>  <p>Ø21</p>	<p>24*H</p>  <p>Ø4*16mm</p>
<p>2*I</p>  <p>Ø20*18mm</p>	<p>2*J</p>  <p>Ø4*22mm</p>	<p>8*K</p>  <p>14*14mm</p>	

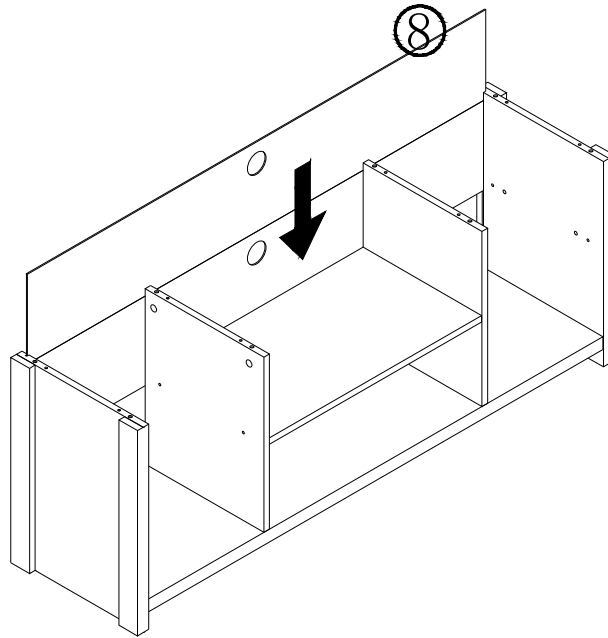
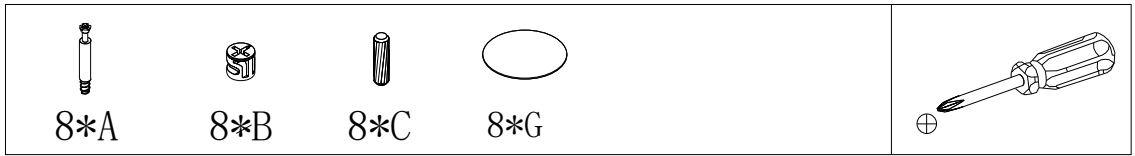
1



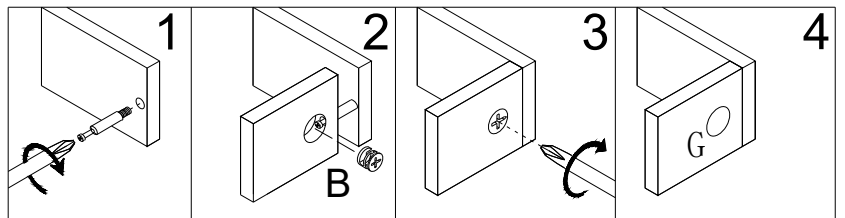
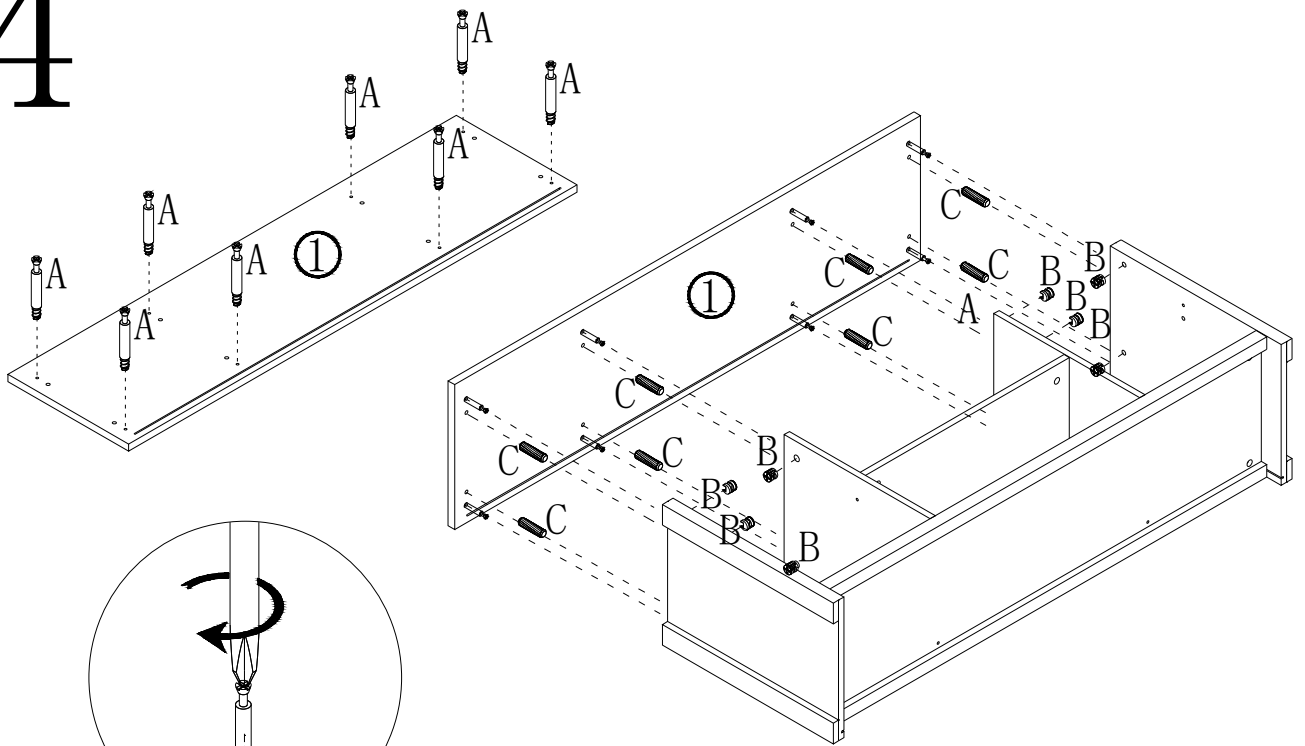
2



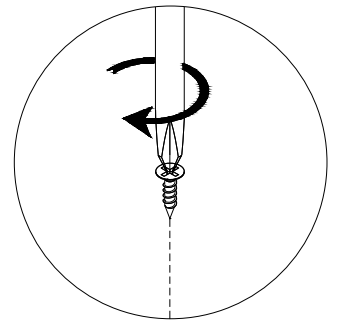
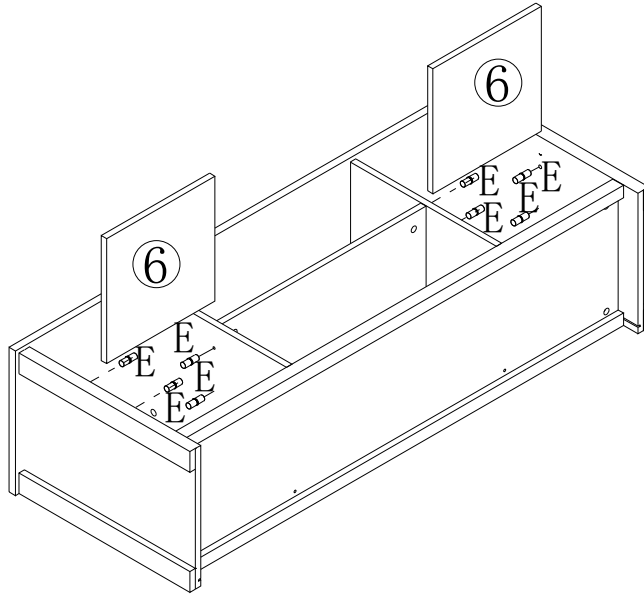
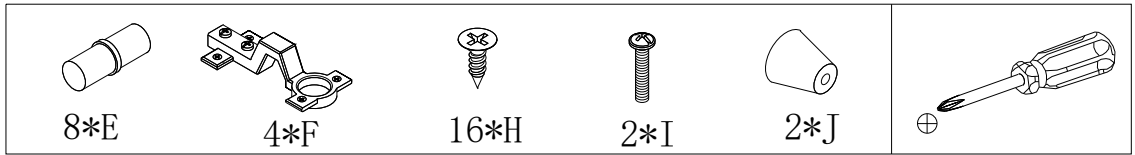
3



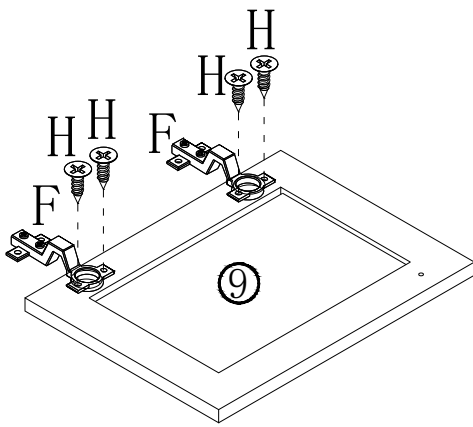
4



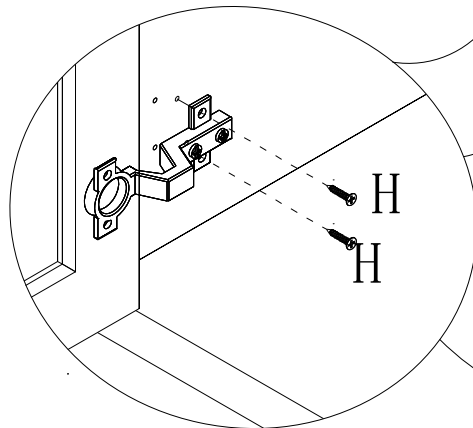
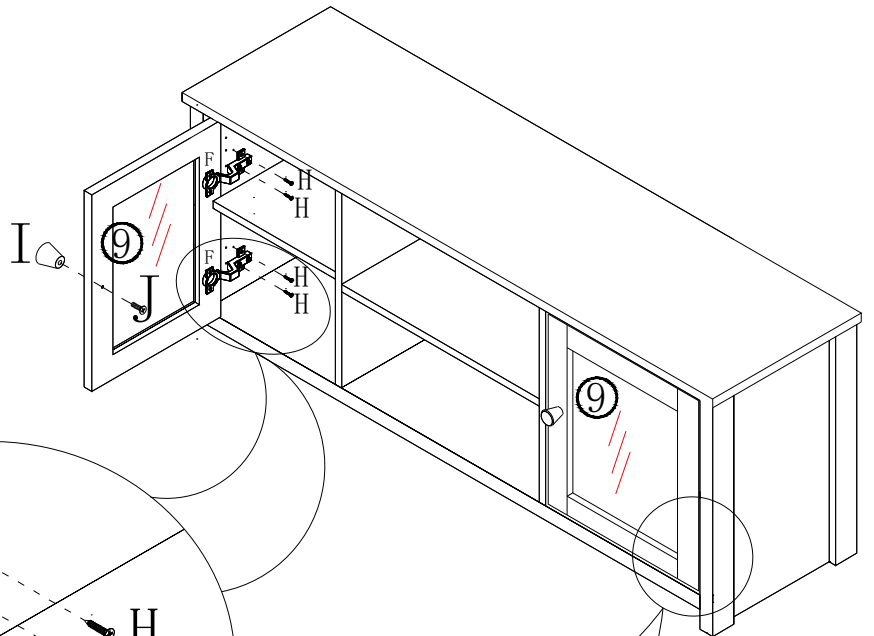
5



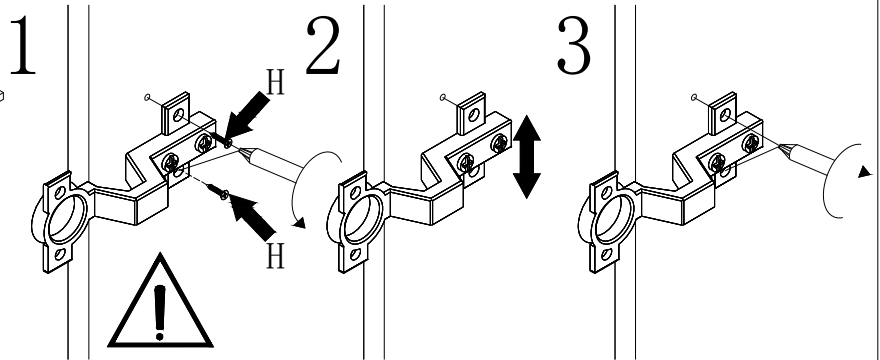
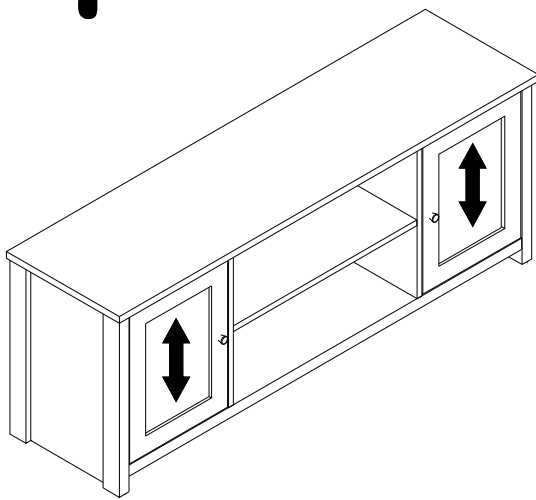
6



X2



7

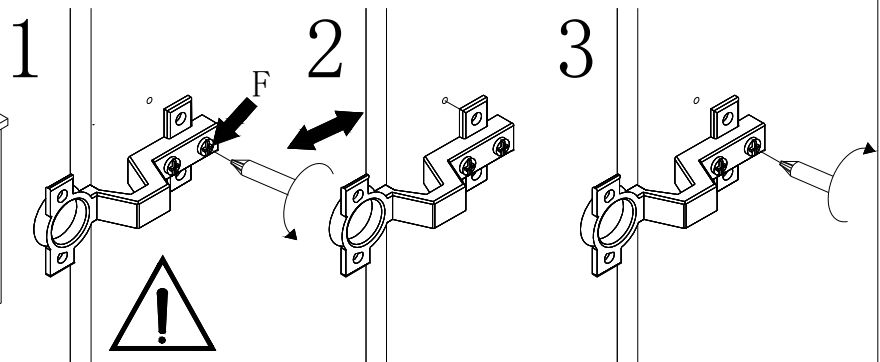
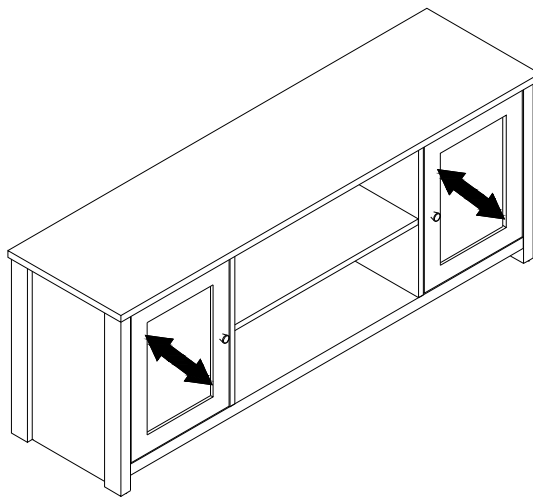


Step One:

A, Loose screw H slightly;

B, Adjust the door up and down till door is in proper position;

C, Fix screw H tightly.

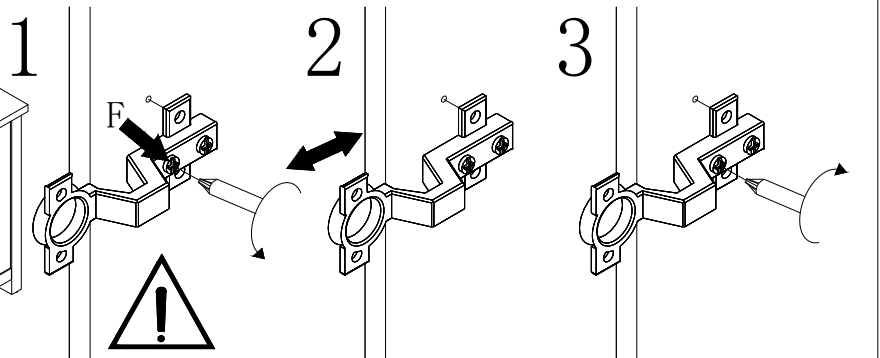
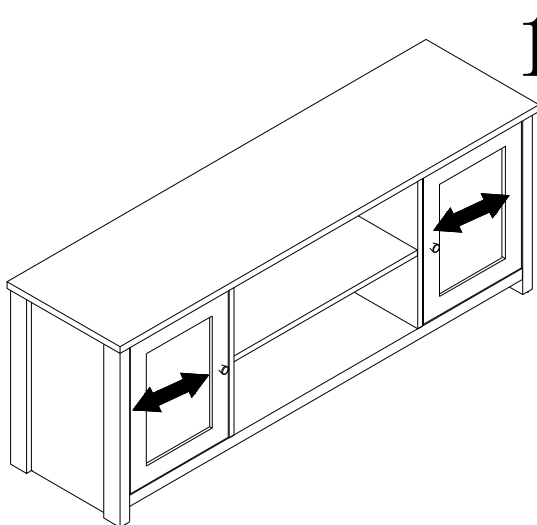


Step Two:

A, Loose the screw F on the right of Hinge;

B, Adjust the door fit in the middle of gap;

C, Fix the screw F on the right.



Step Three:

A, Loose the screw F on the left of Hinge;

B, Adjust the door left and right to fit it in middle;

C, Fix the screw F on the left.

8

