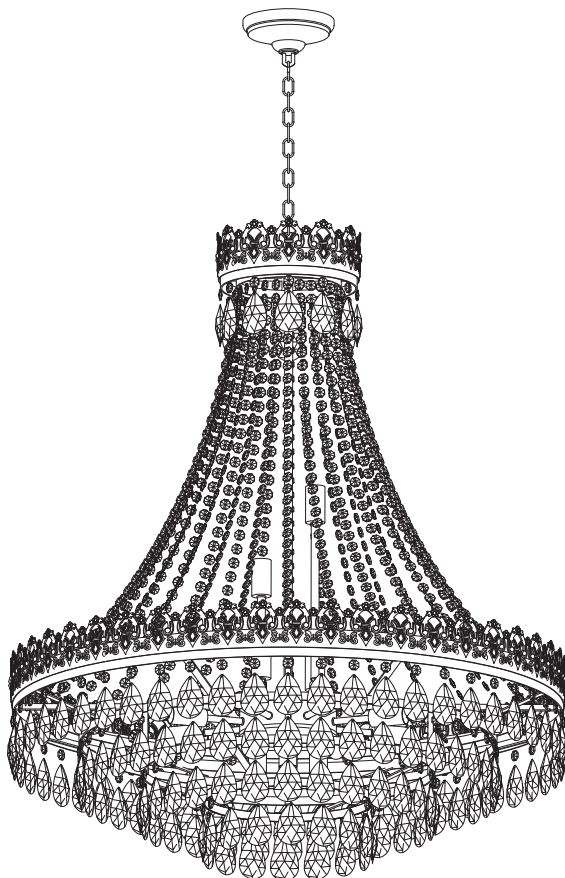


# INSTALLATION MANUAL

## CHANDELIER

Model No.: QLP029BG-16A



Scan for Installation Video

# Safety Rules

---

**WARNING: BE SURE THE ELECTRICITY TO THE WIRES YOU ARE WORKING ON IS SHUT OFF; EITHER THE FUSE IS REMOVED OR THE CIRCUIT BREAKER IS TURNED OFF. TURNING THE POWER OFF USING THE LIGHT SWITCH IS NOT SUFFICIENT TO PREVENT ELECTRICAL SHOCK.**

**NOTE:** The important safeguards and instructions appearing in this manual are not meant to cover all possible conditions or situations that may occur. It must be understood that common sense, caution, and care, are factors which cannot be built into any product. These factors must be supplied by the person(s) installing this unit.

## **READ & SAVE THESE INSTRUCTIONS**


**CAUTION:** Before assembling the lighting fixture, refer to the section titled Wiring Connections. If you feel you do not have enough electrical wiring experience, either refer to a do-it-yourself wiring handbook or have your lighting fixture installed by a qualified, licensed electrician.

## **INSTALLATION & OPERATION INSTRUCTIONS GENERAL**

Before starting the installation, disconnect the power by turning off the circuit breaker or by removing the appropriate fuse at the fuse box. Turning the power off using the light switch is not sufficient to prevent electrical shock.

All electrical connections must be in accordance with local and National Electrical Code (NEC) standards. If you are unfamiliar with proper electrical wiring connections, obtain the services of a qualified electrician.

## **Outlet Box Reminder**

 If using an outlet box for installation, a reinforced outlet box must be used. This type of box can support 70–150 lbs (31.7–68 kg) and must be securely mounted to the ceiling beams.

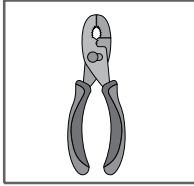
# Installation Preparation

---

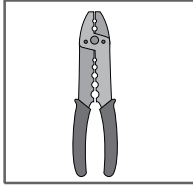
## Tools You Need



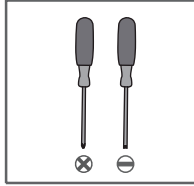
Ladder



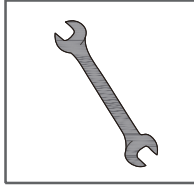
Pliers



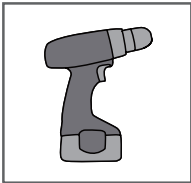
Wire Strippers



Screwdrivers



Wrench



Power Drill  
(optional)



Drill Bit  
(optional)

## What to Expect with your Installation

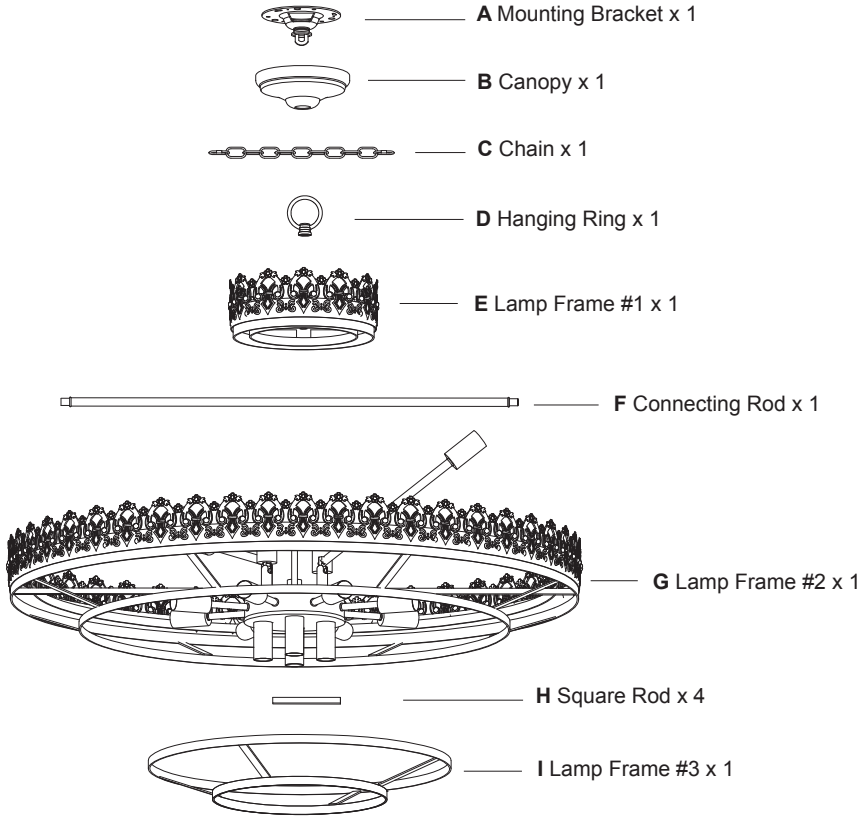


Check the box to see the weight of the light

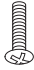











Angled ceiling applicable

# Packing List



# Installation Kit

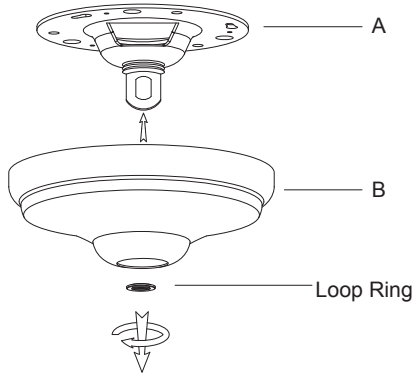
|                                                                                     |     |                                                                                     |    |                                                                                     |    |                                                                                     |      |
|-------------------------------------------------------------------------------------|-----|-------------------------------------------------------------------------------------|----|-------------------------------------------------------------------------------------|----|-------------------------------------------------------------------------------------|------|
| AA                                                                                  | 2x  | BB                                                                                  | 3x | CC                                                                                  | 4x | DD                                                                                  | 4x   |
|  |     |  |    |  |    |  |      |
| Outlet Box Screw                                                                    |     | Wire Nut                                                                            |    | Wood Screw                                                                          |    | Metal Washer                                                                        |      |
| EE                                                                                  | 2x  | FF                                                                                  | 4x | GG                                                                                  | 4x | HH                                                                                  | 150x |
|  |     |  |    |  |    |  |      |
| Anchor Bolt                                                                         |     | Small Fixture Screw                                                                 |    | Large Fixture Screw                                                                 |    | Crystal Pendant                                                                     |      |
| II                                                                                  | 28x | JJ                                                                                  |    |                                                                                     |    |                                                                                     | 1x   |
|  |     |  |    |                                                                                     |    |                                                                                     |      |
| Glass Pendant                                                                       |     | Gloves                                                                              |    |                                                                                     |    |                                                                                     |      |

**NOTE:** The listed quantity is for installation, extra hardware may be included.

# Installation Instructions

## 1. Remove the Mounting Bracket

Loosen the loop ring from the canopy (B), and take out the mounting bracket (A).

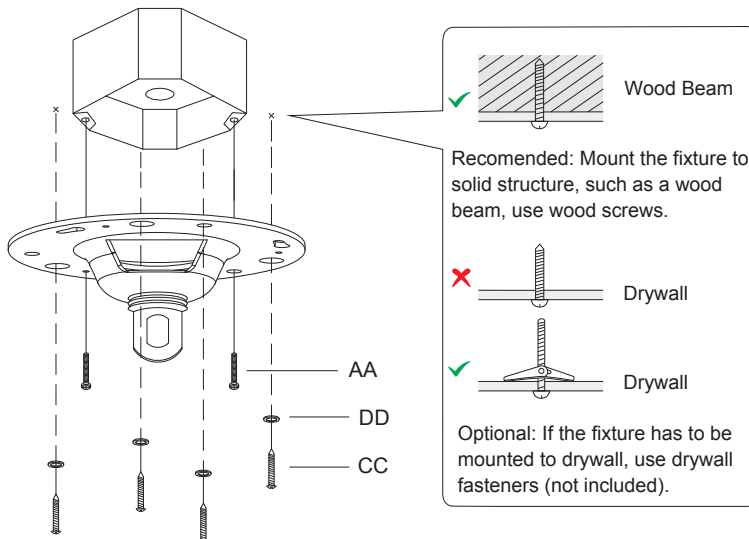


## 2. Mount the Bracket (3 Options)

### Option 1. (For Outlet Box)

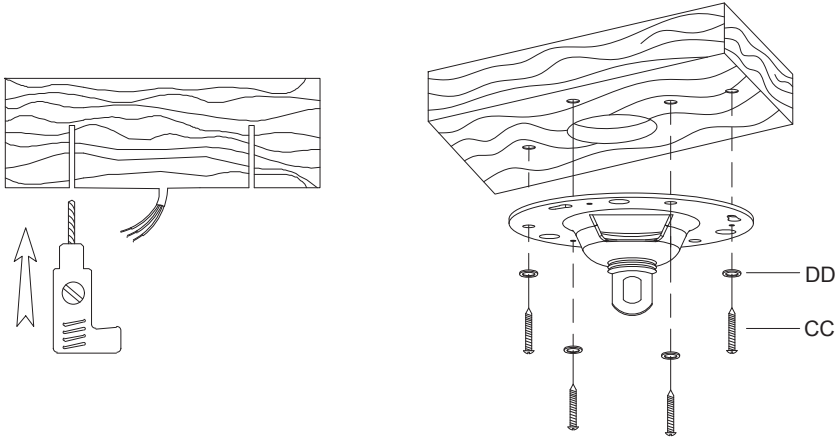
**Step 1:** Secure the mounting bracket (A) to the outlet box with screws taken off from outlet box or screws (AA) provided.

**Step 2:** Secure the ends of the bracket on the ceiling with metal washer (DD) and wood screw (CC).



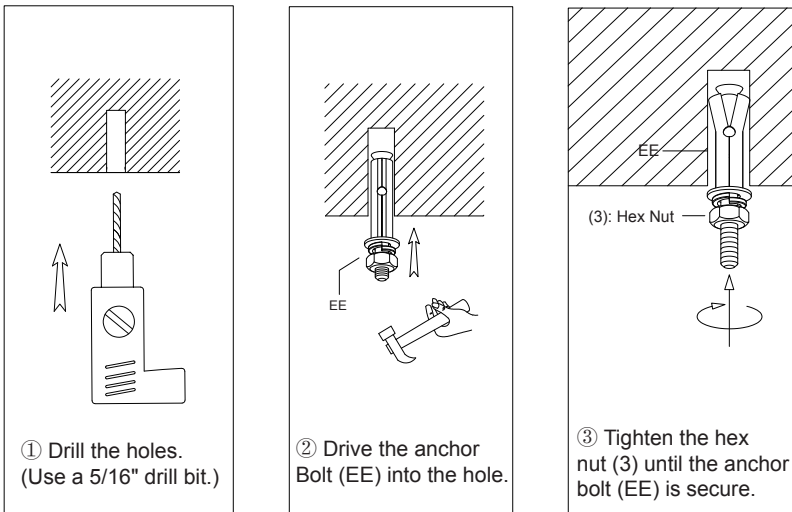
### Option 2. (For Solid Wood Structure)

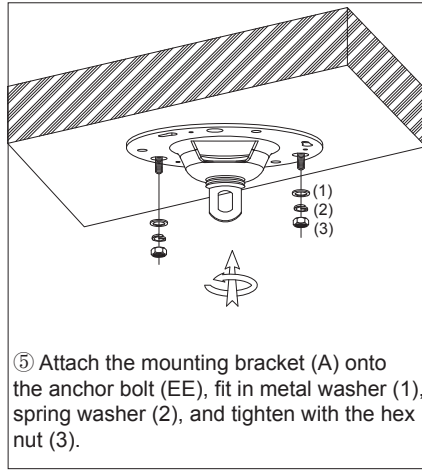
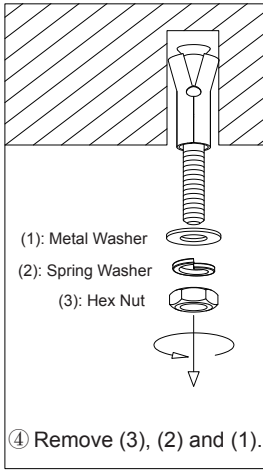
Mark and drill the screw holes on the solid wood structure. Mount the mounting bracket with metal washers (DD) and wood screws (CC).



### Option 3. (For Concrete Structure)

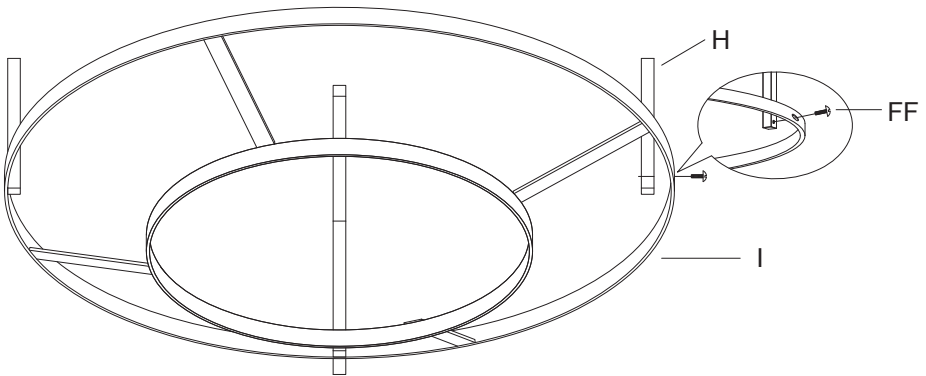
Mount the mounting bracket to the concrete structure with anchor bolt (EE).





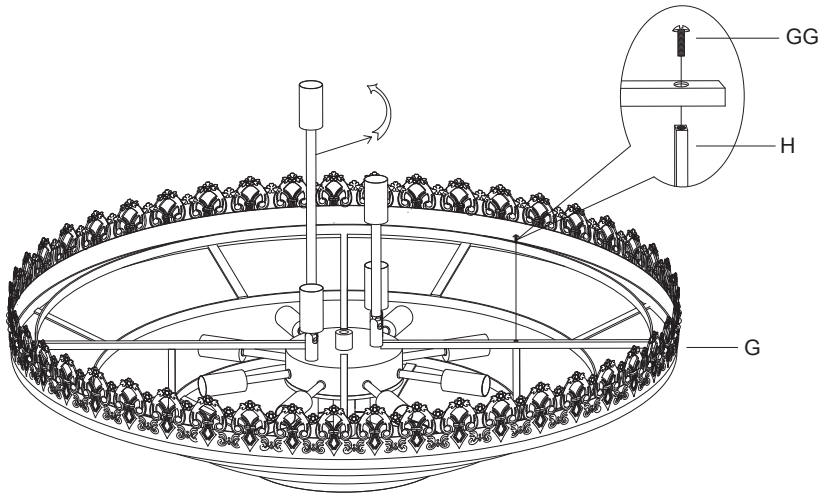
### 3. Install the Lamp Body

**Step 1:** Install the square rod (H) onto the lamp frame #3 (I) with small fixture screw (FF).



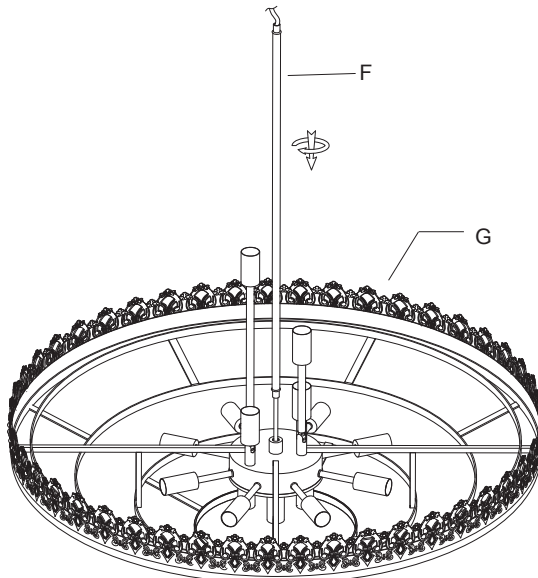
**Step 2:** Fix the square rod (H) on the lamp frame #2 (G) with the large fixture screw (GG).

**Step 3:** Screw the lamp holder onto frame layer #2 (G).

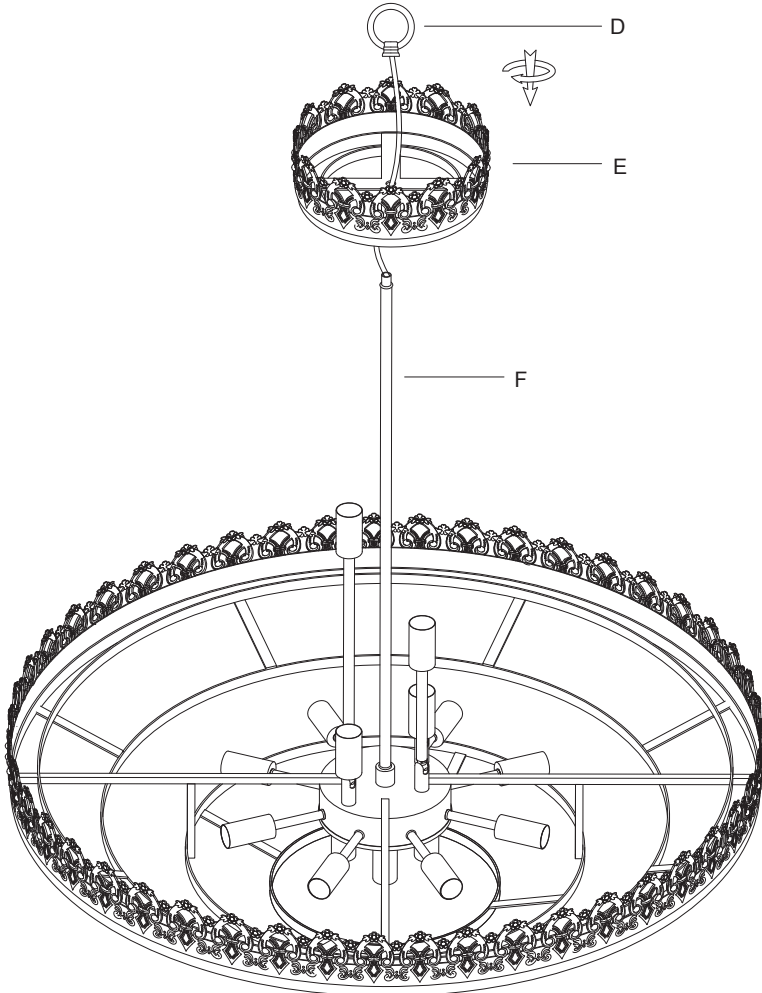


**Step 4:** Pass the power cord through the connecting rod (F).

**Step 5:** Rotate the connecting rod (F) to secure it onto the frame layer #2 (G).



**Step 6:** Secure the frame layer #1 (E) onto the connecting rod (F) with the hanging ring (D).



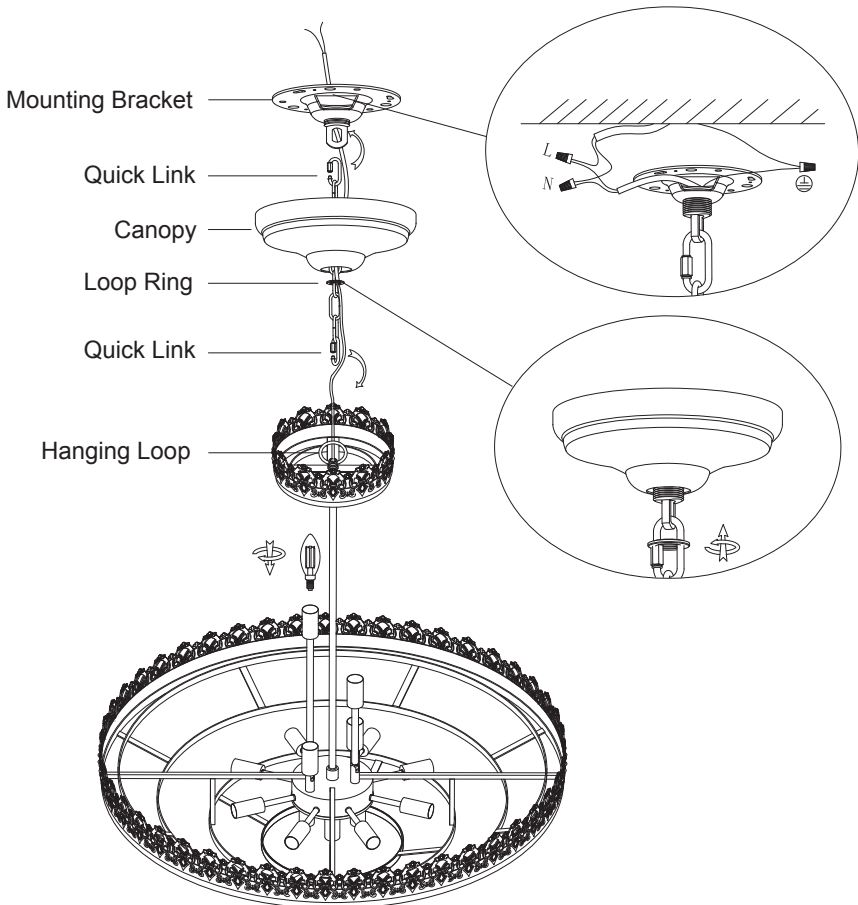
## 4. Connect the Wire

**Step 1:** Open the quick links. Then pass the chain (C) through the loop ring and canopy (B) in sequence, and connect both ends to the mounting bracket (A) and hanging loop (E). Then tighten the quick links securely.

**Step 2:** Pass the power cord through the loop ring, canopy (B), and mounting bracket (A) in sequence.

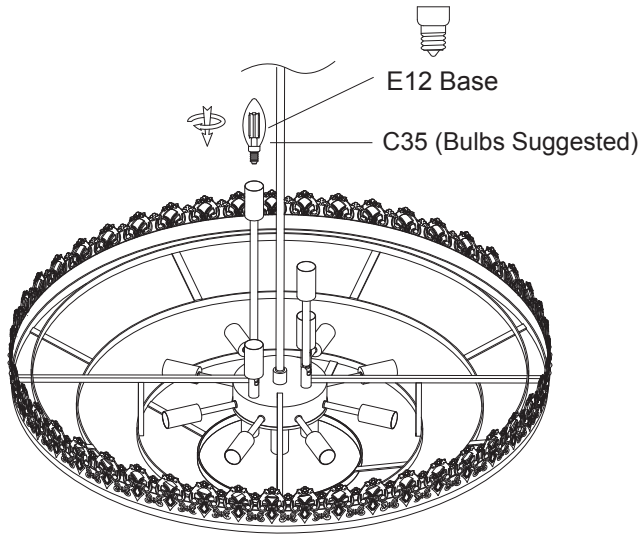
**Step 3:** Connect the wires from the fixture to the house supply wires with wire nuts (BB), ground wire (green, green/yellow, or bare copper) to ground wire, neutral wire (white) to neutral wire, and hot wire (black) to hot wire. Wrap the connection with electrical tape.

**Step 4:** Slide the canopy (B) up to the ceiling, rotating loop ring to fix the canopy.



## 5. Install the Bulbs

Install the Bulbs. (E12 x 16, Max 40W each, not included)



### **Note:**

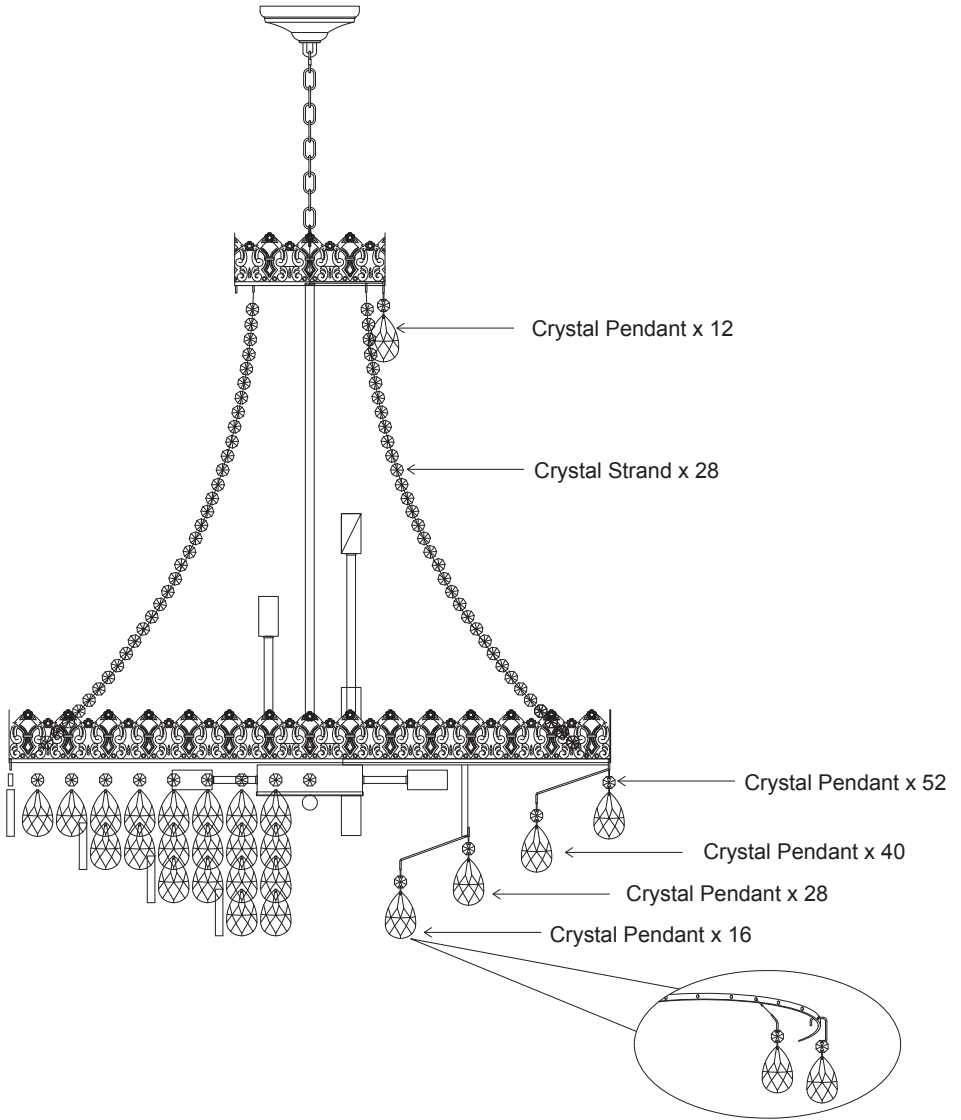
The illustrated bulb is recommended and compatible alternatives may be selected as needed.

To achieve dimming functionality, you need to use dimmable bulbs and a dimmer switch.

For bulbs with color temperature control, repeatedly switch “on” and “off” using the wall switch to change settings.

## 6. Install the Crystals

Refer to the crystal installation diagram and hang the crystals.



# Trouble Shooting

---

## **1. Missing / Broken Parts**

- Make a list of the missing/broken parts according to the packing list, take photos for broken parts, then email us for free replacements.

## **2. Bulbs Do Not Light Up**

- Check your power and switch to make sure it's power on.
- For regular bulbs, make sure it is connected to the ON/OFF wall switch, not the dimmer switch.
- Replace the bulb with a new one.

## **3. Bulbs Flicker**

- If it is a dimmer switch, use a dimmable bulb.
- Replace the bulb with a new one.

## **4. Could Not Install / Assemble**

- Take photos of the ceiling / fixture, contact seller for technical support.

## **Clean And Care**

---

To clean, wipe fixture with soft cloth. Spray from chemical cleaners can discolor the finish of fixture. Do not use scouring pads, powders, steel wool or abrasive paper to clean this fixture.

## **Ordering Parts**

---

Keep this manual for future reference, and in case replacement parts are needed. Available parts can be ordered from place of purchase. Use exact wording from diagrams when ordering parts.