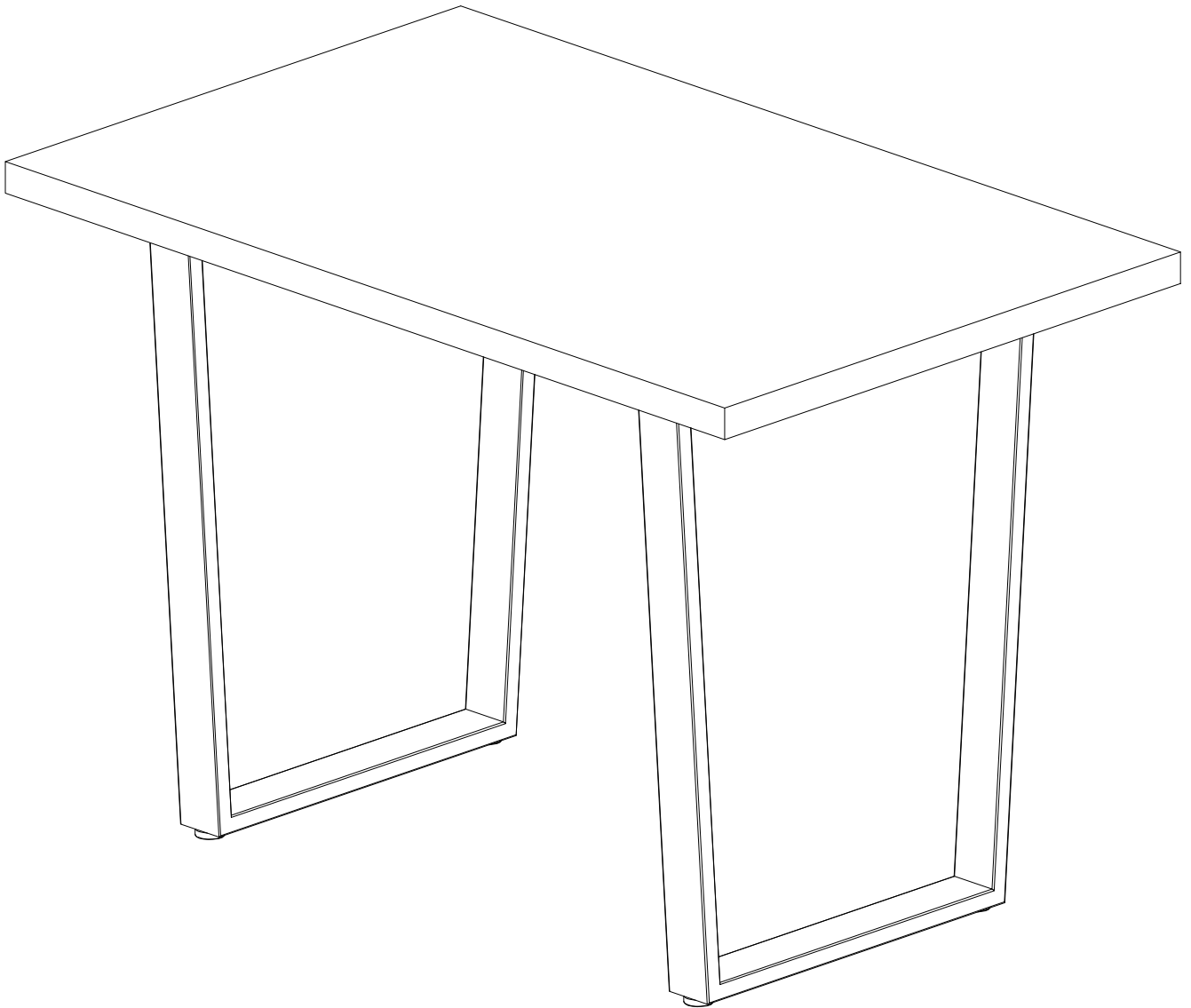
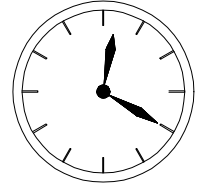
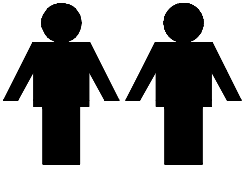
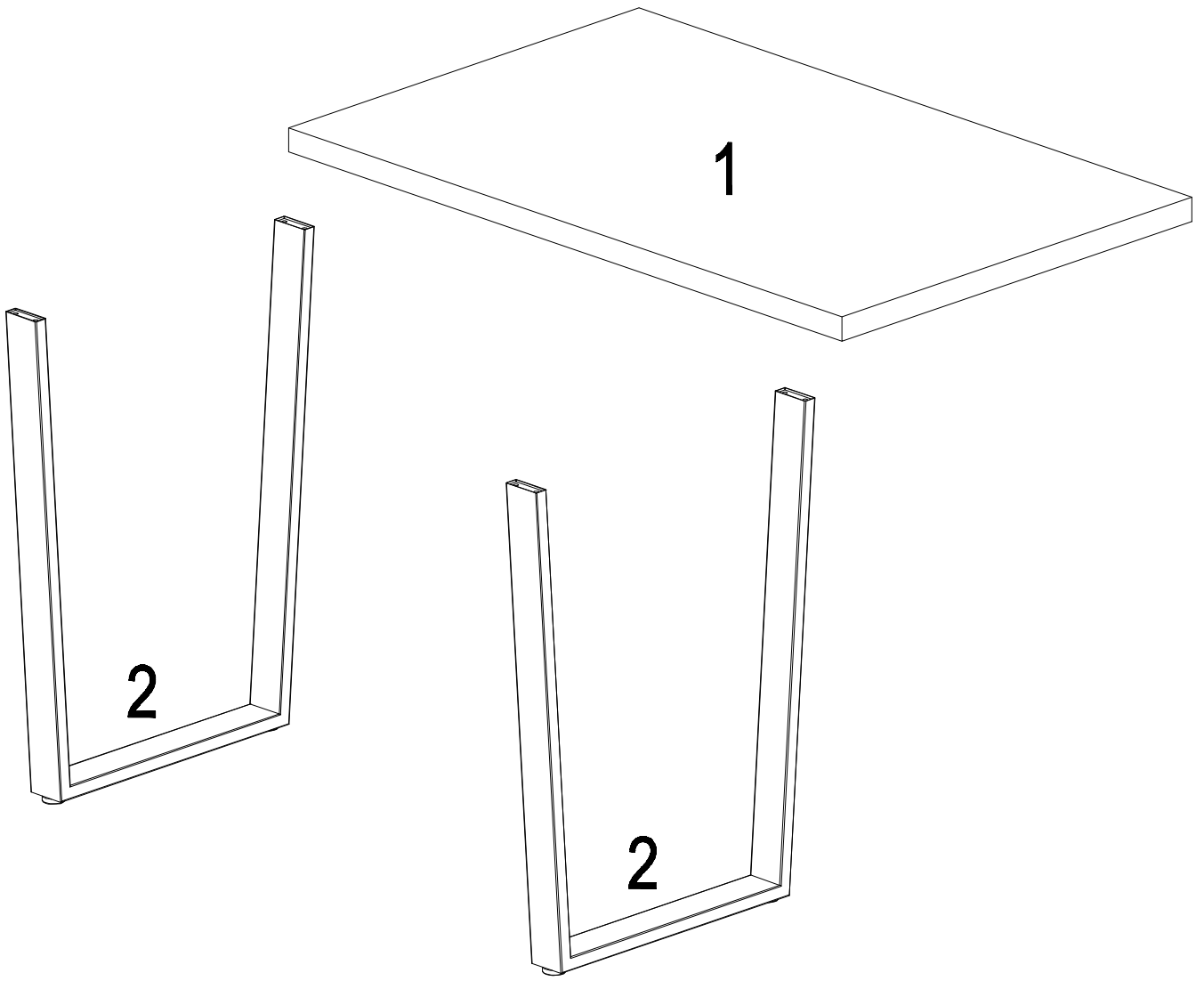
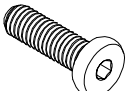
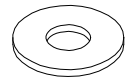


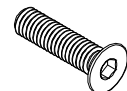
# ASSEMBLY INSTRUCTIONS

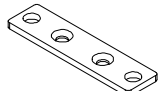


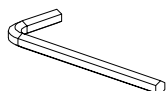



+Spare X 1	
<b>A</b>	<b>x 9</b>
	
M8*18mm	

+Spare X 1	
<b>B</b>	<b>x 9</b>
	
Ø16*1.5mm	

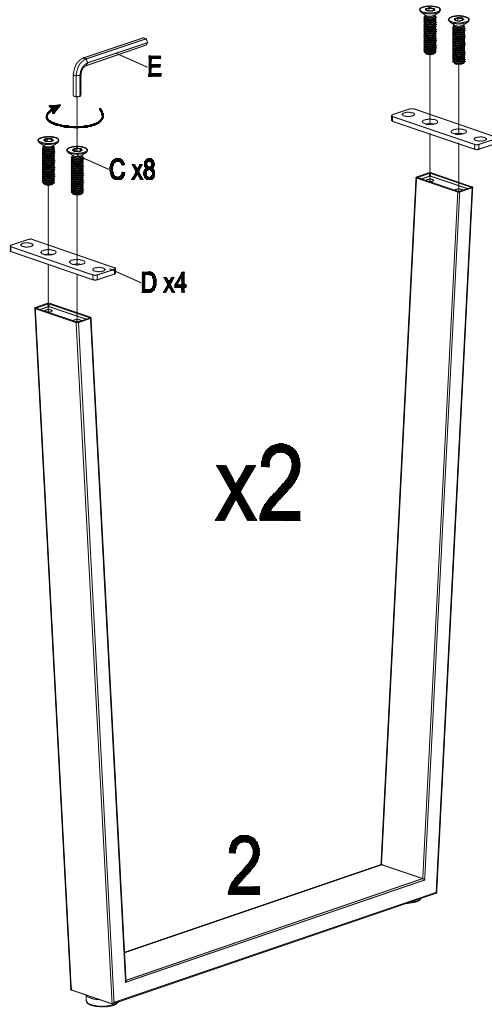
+Spare X 1	
<b>C</b>	<b>x 9</b>
	
M8*15mm	

<b>D</b>	<b>x 4</b>
	
120*30*5mm	

<b>E</b>	<b>x 1</b>
	
5mm	


+Spare X 1	
<b>F</b>	<b>x 9</b>
	

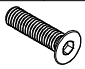
1

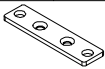


x2

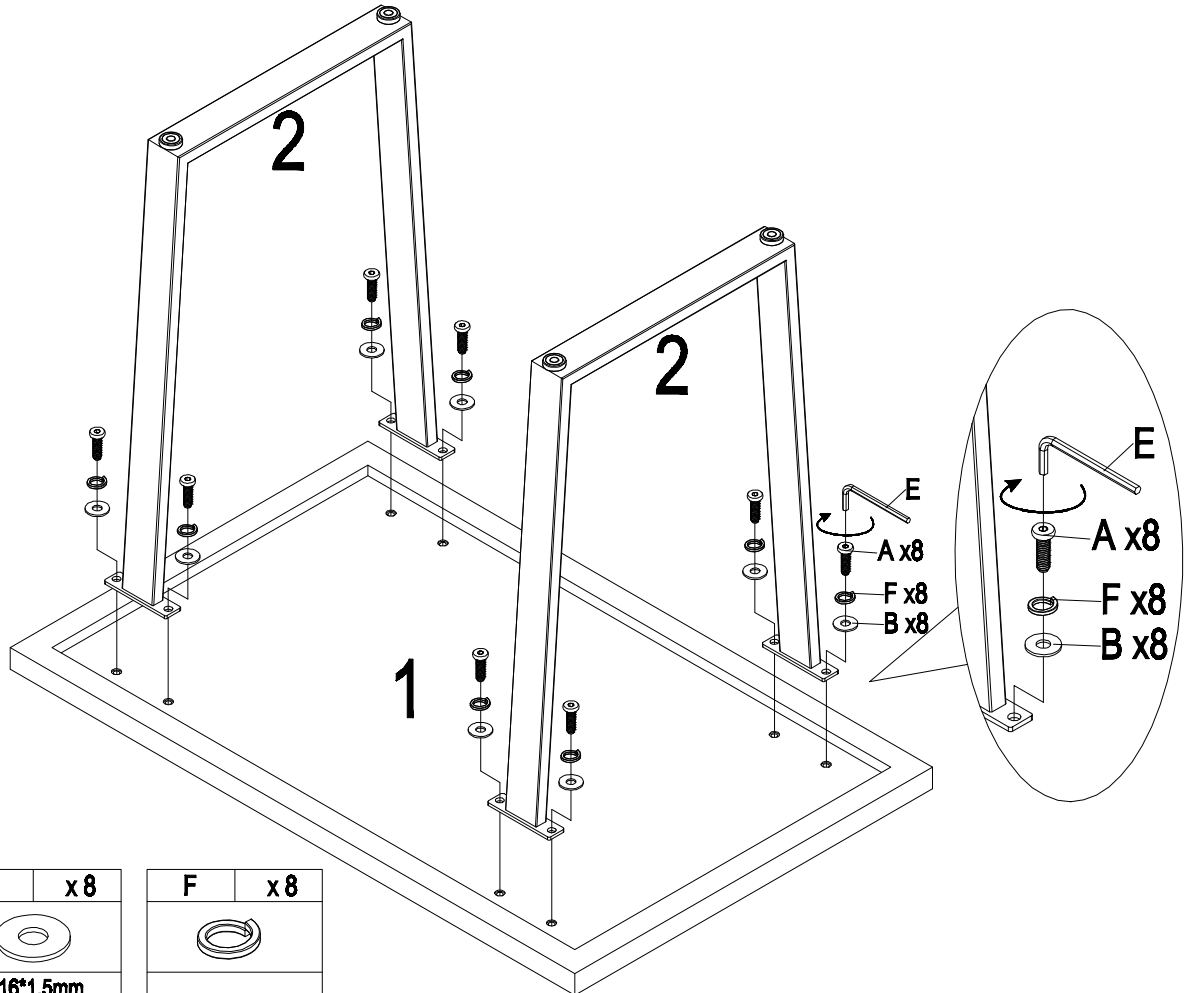
2

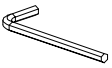
E	x 1
	
5mm	

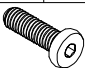
C	x 8
	
M8*15mm	

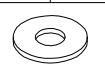
D	x 4
	
120*30*5mm	

2



E	x 1
	
5mm	

A	x 8
	
M8*18mm	

B	x 8
	
Ø16*1.5mm	

F	x 8
