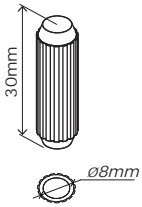
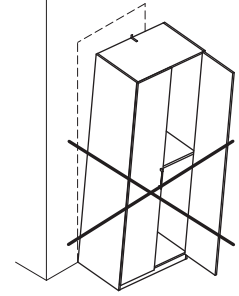
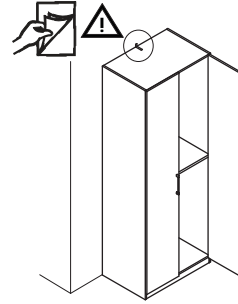
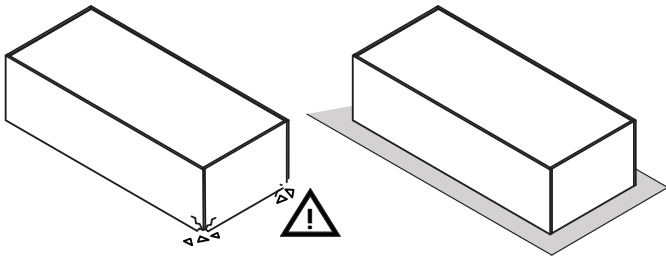
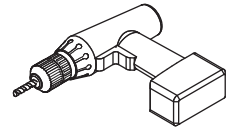
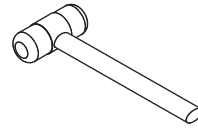
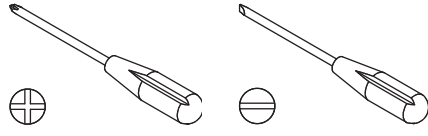
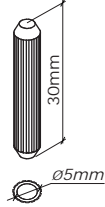


1,5h



H1
x8



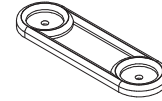
H81
x8



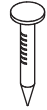
T28
x12



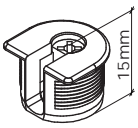
T99
x12



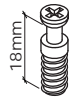
P16
x2



H15
x4



T70
x4



T69
x4



T9
x2



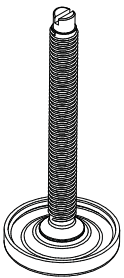
V32
x2



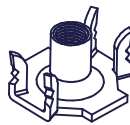
V5
x18



H2
x18



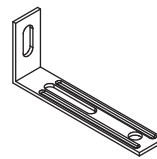
P22
x2



H119
x2



G182
x4



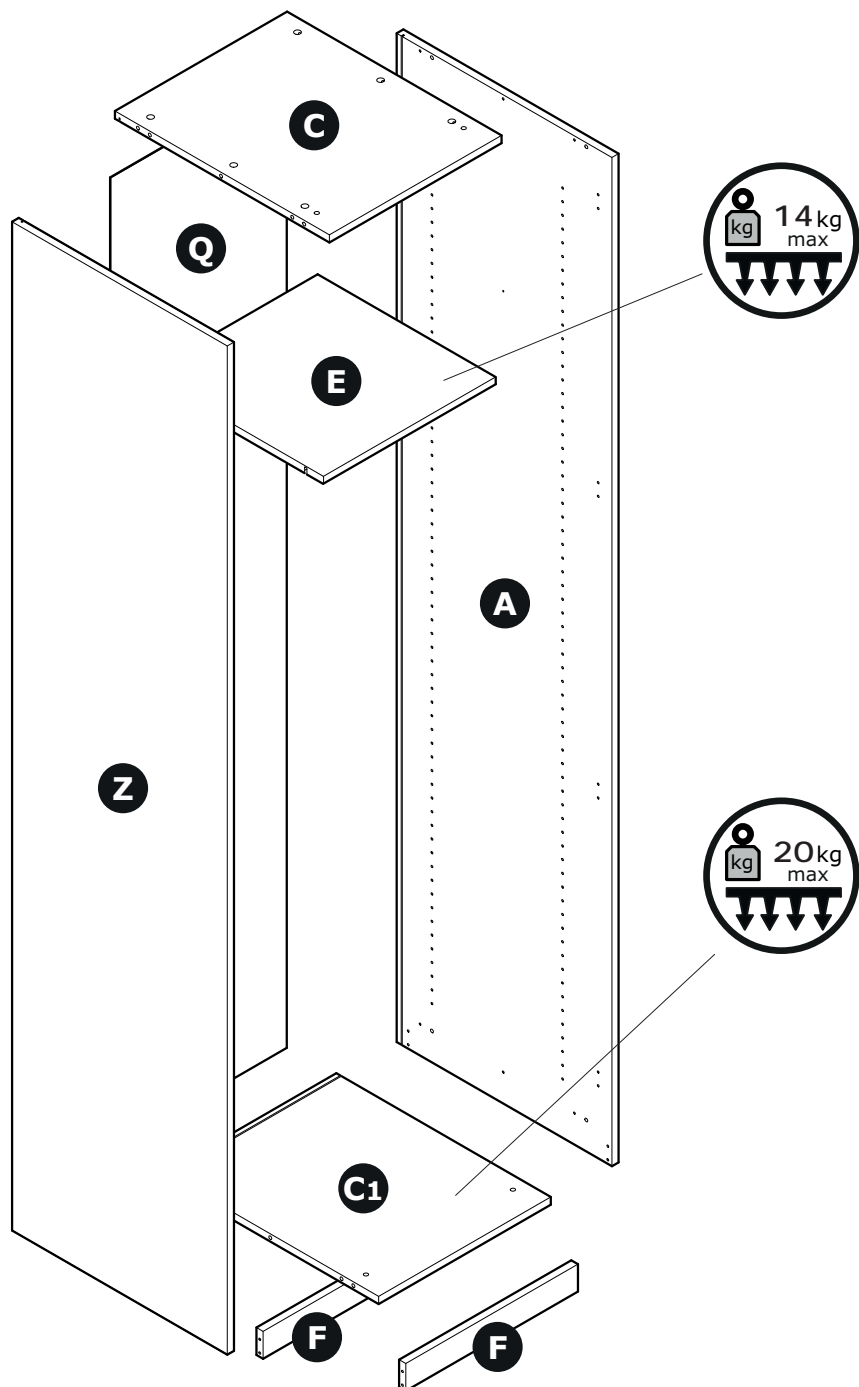
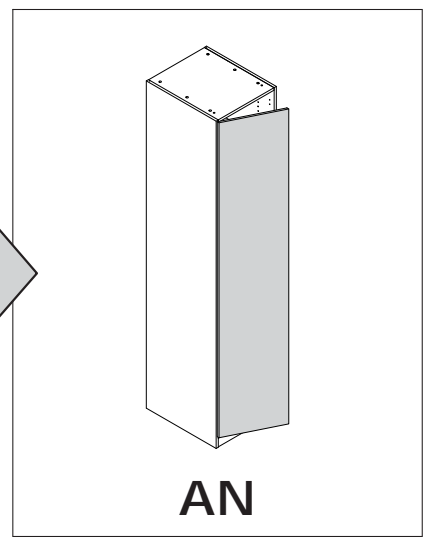
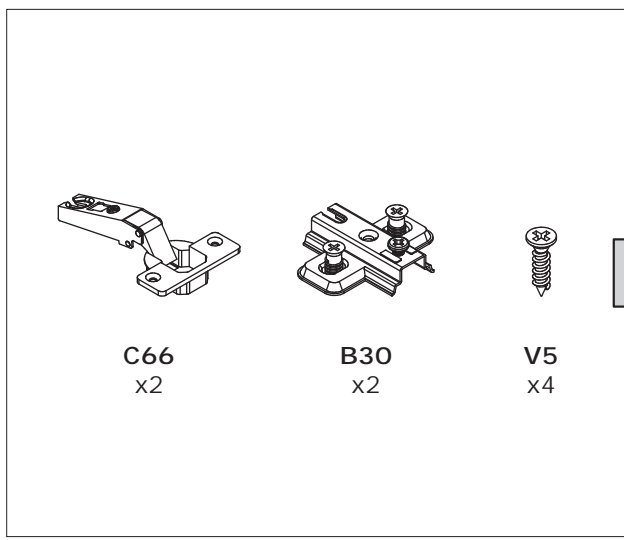
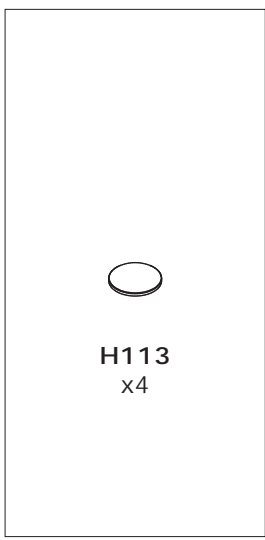
H185
x1

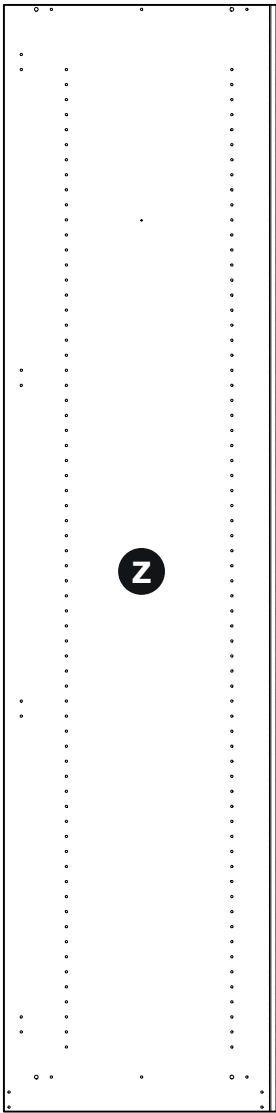


H129
x2

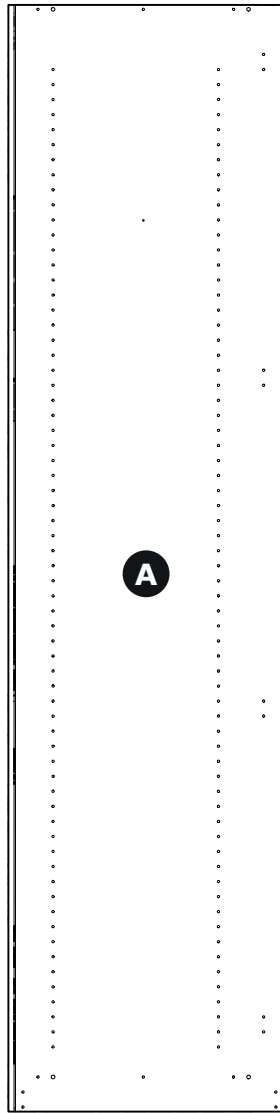


V81
x2

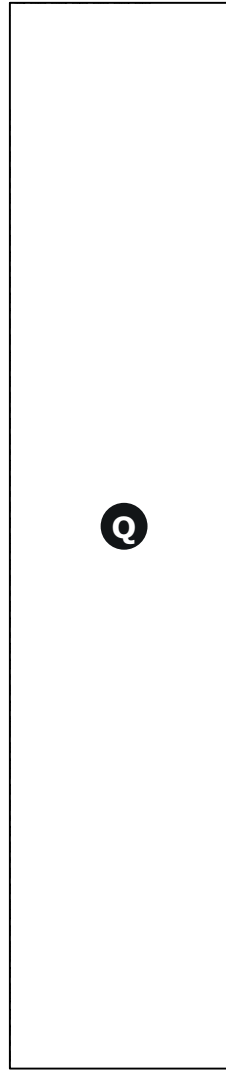




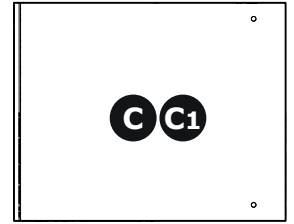
FI8650
2355x580x18mm



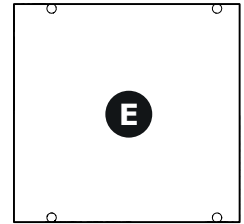
FI8649
2355x580x18mm



SH3311
2268x474x2,3mm



PI 7109
464x578x18mm



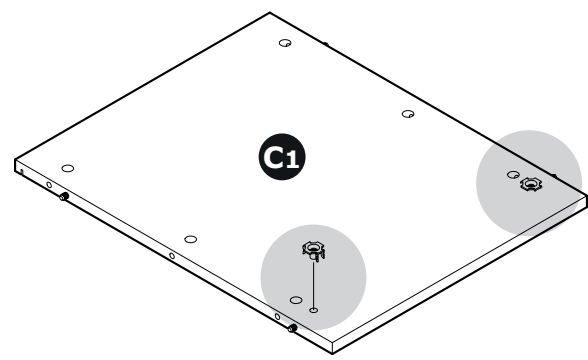
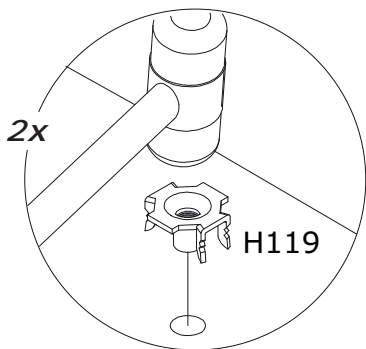
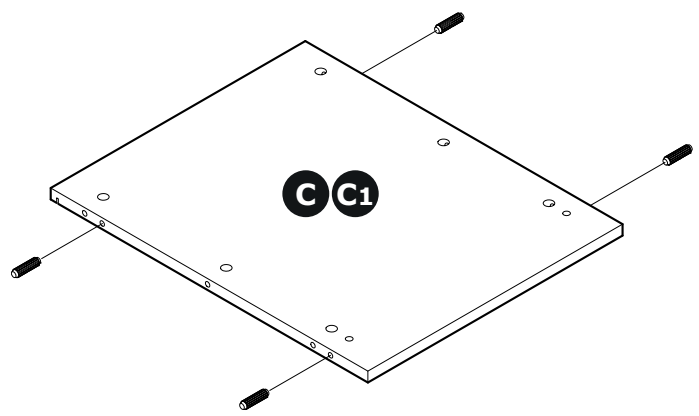
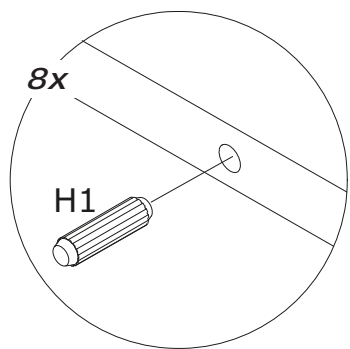
PI 7110
464x480x18mm



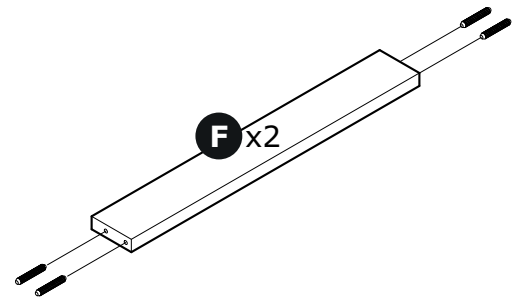
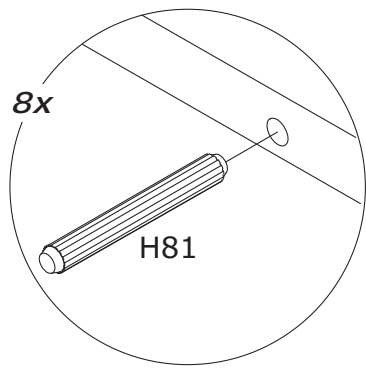
ZO1620
464x64x18mm

BOX 1/1

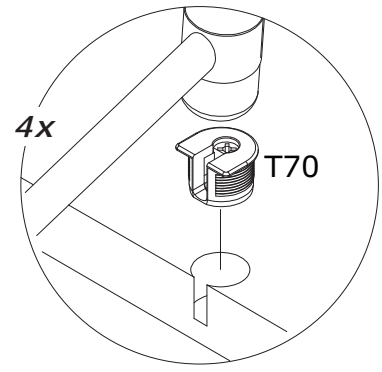
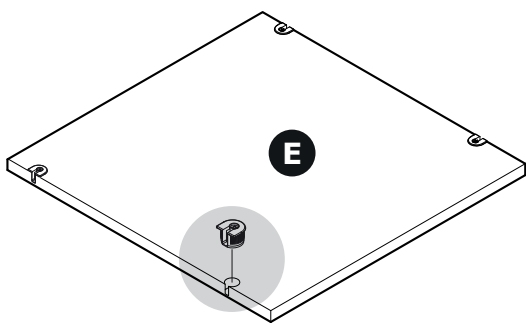
1

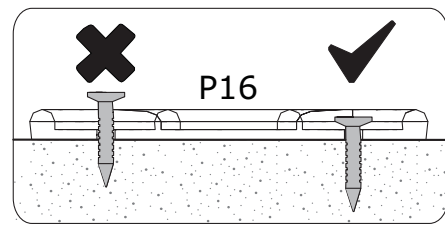
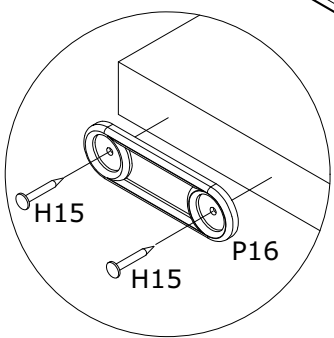
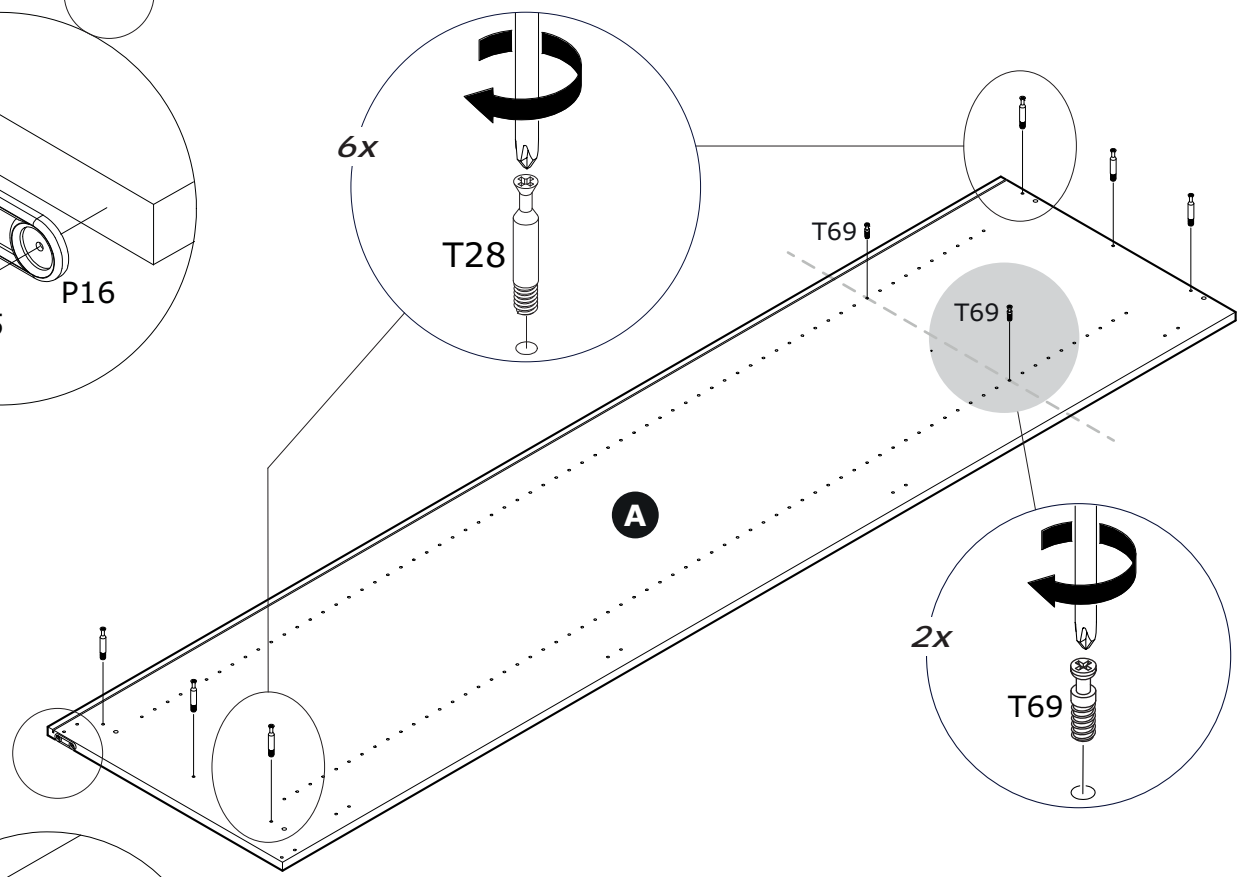
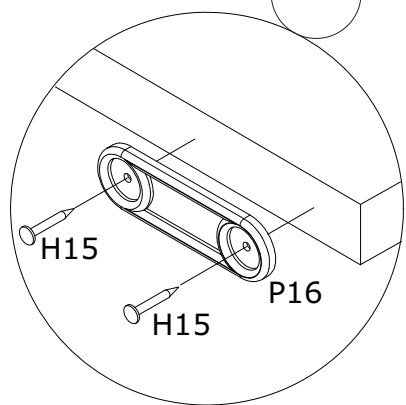
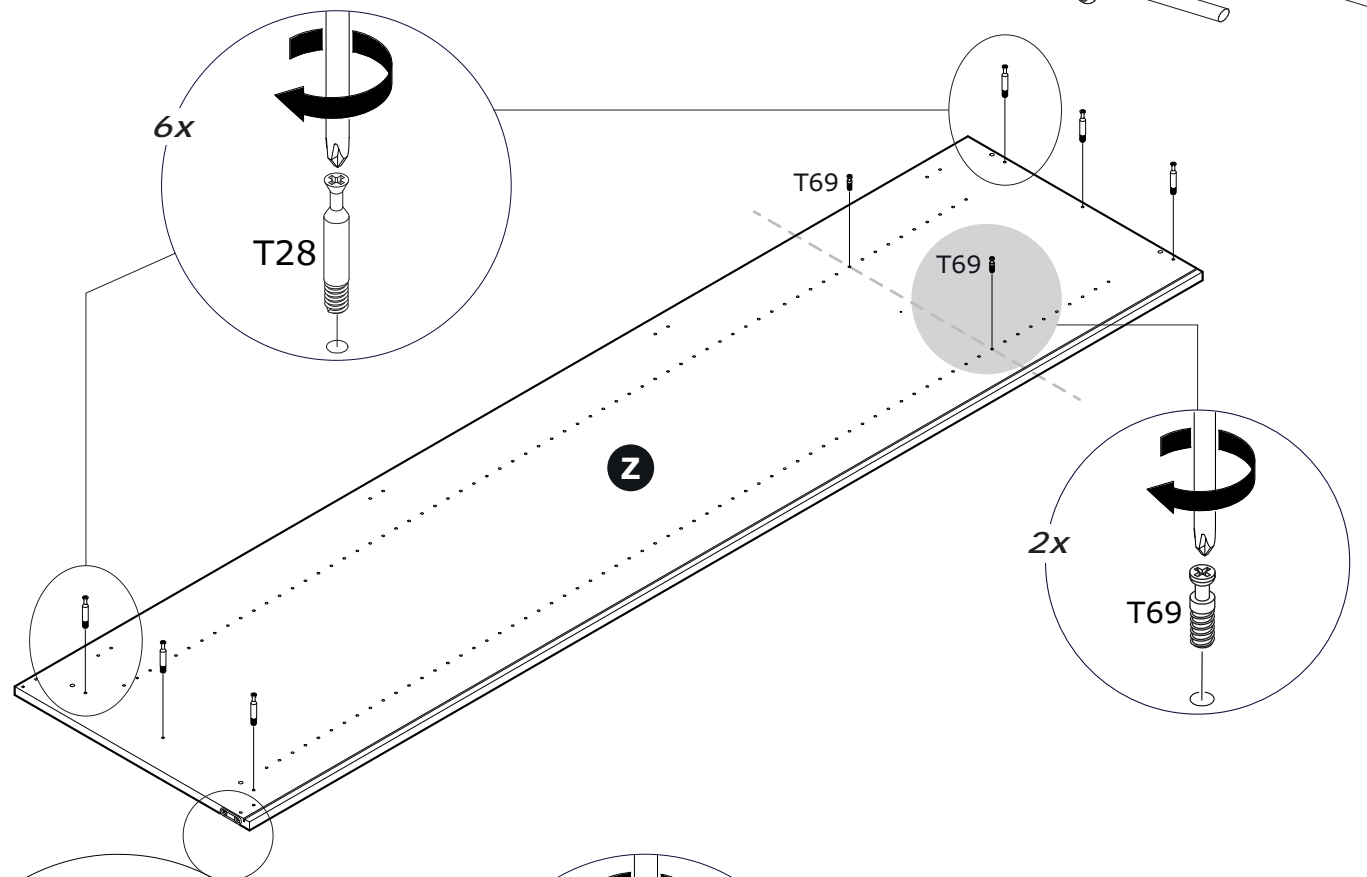
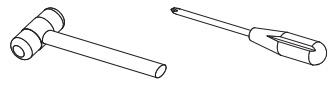


2

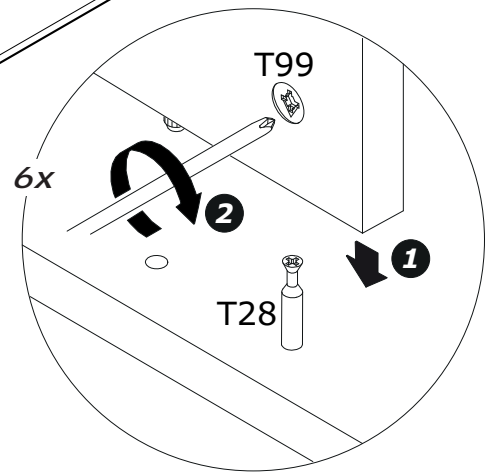
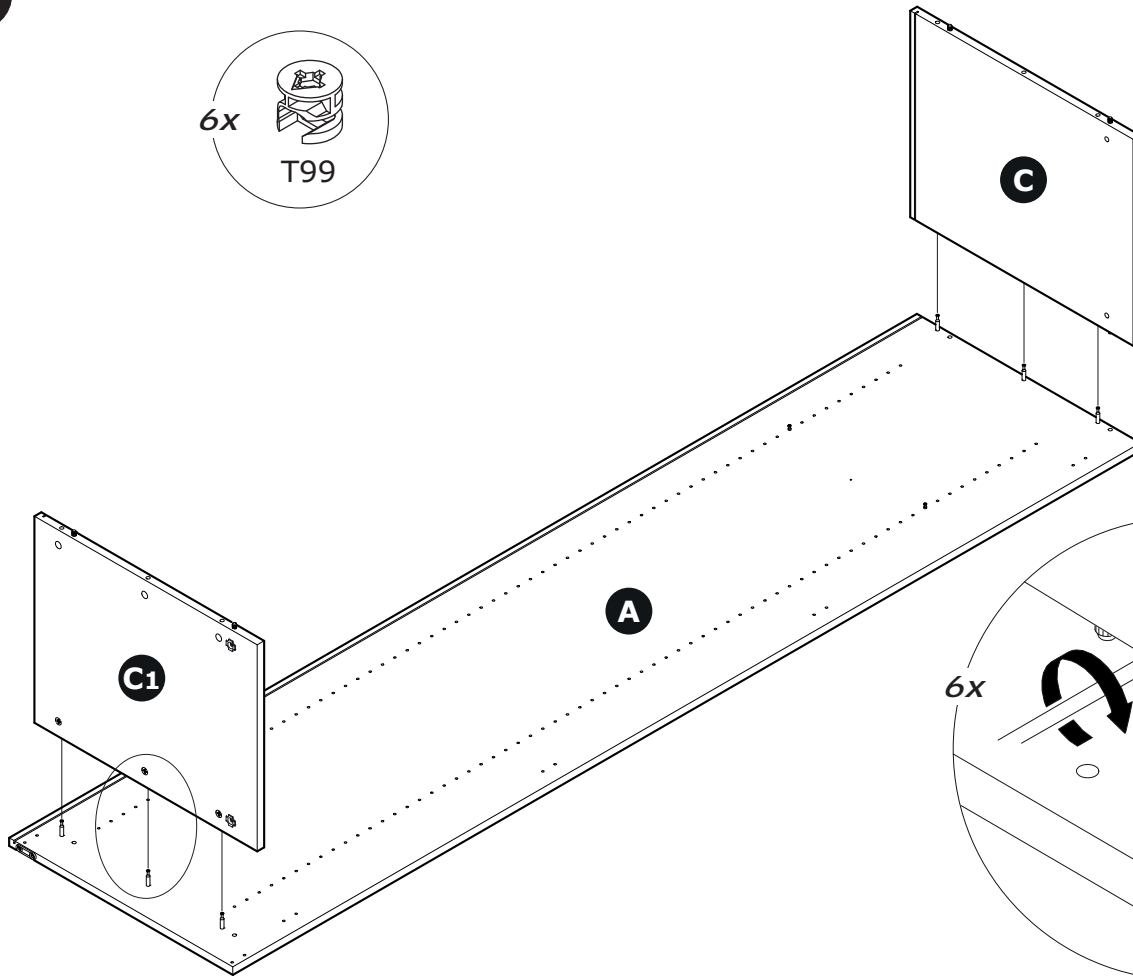


3

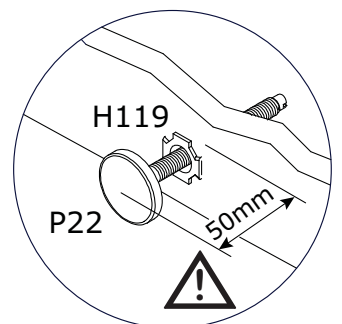
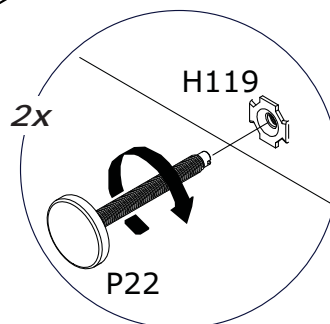
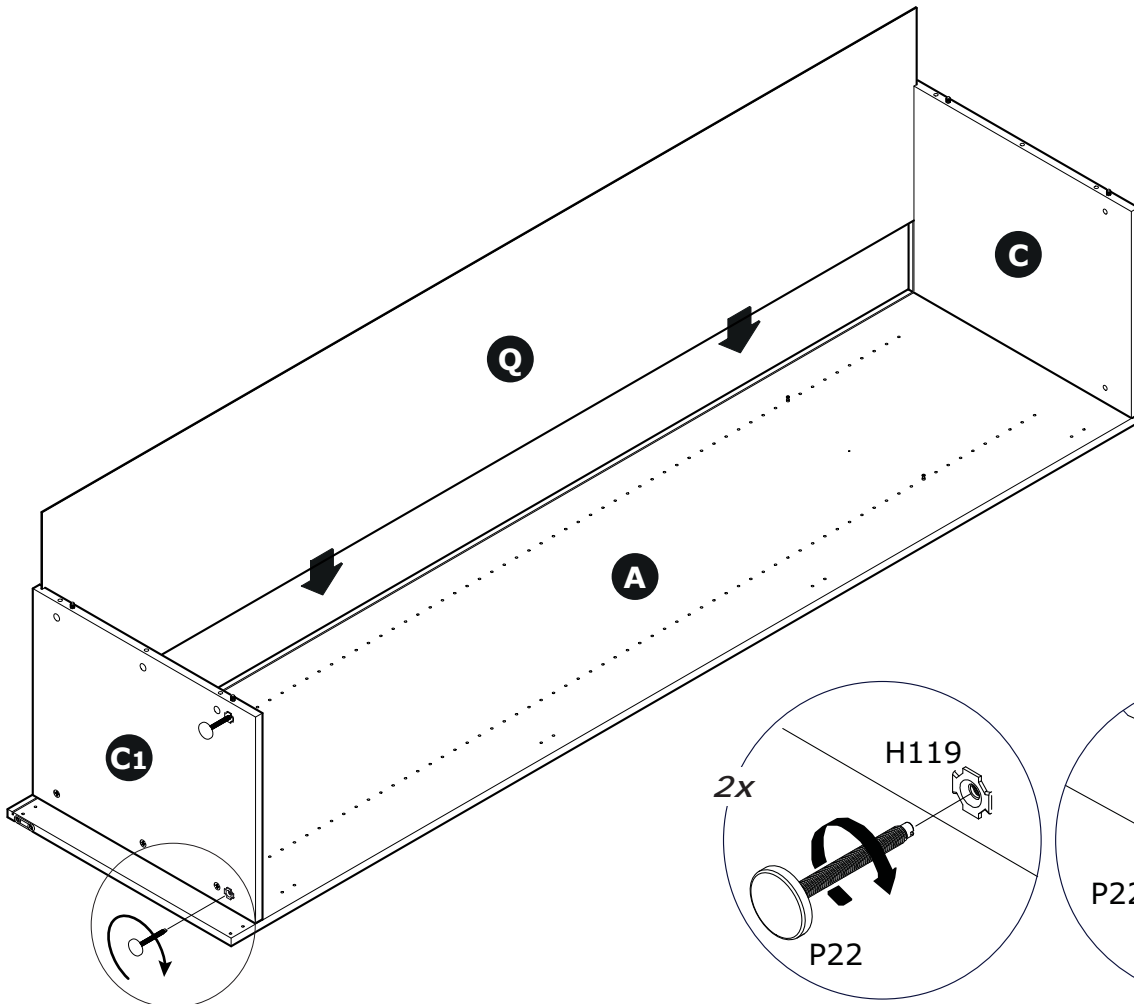




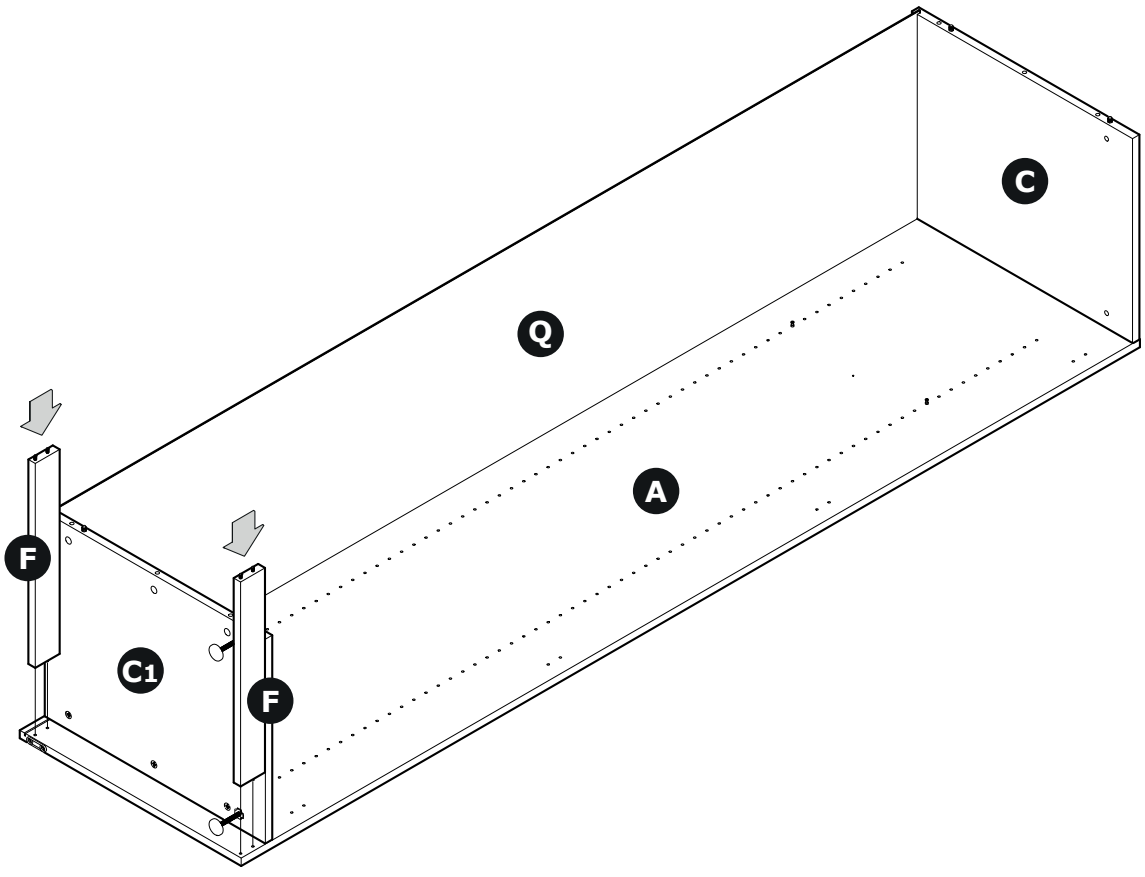
5



6



7



8

