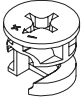
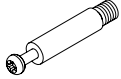

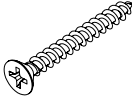

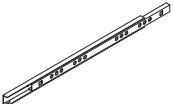


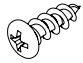
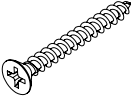
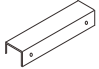



# Fittings

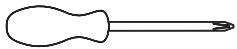
Please check that you have all the fittings listed below:

NOTE: The quantities below are the correct amount to complete the assembly. In some cases more fittings may be supplied than required.

## Bag 1

A x 16 	B x 16 	C x 8 	D x 8 	E x 4 
F x 4 	G x 12 	H x 4 	I x 16 	J x 4 
K x 2 	L x 4 			

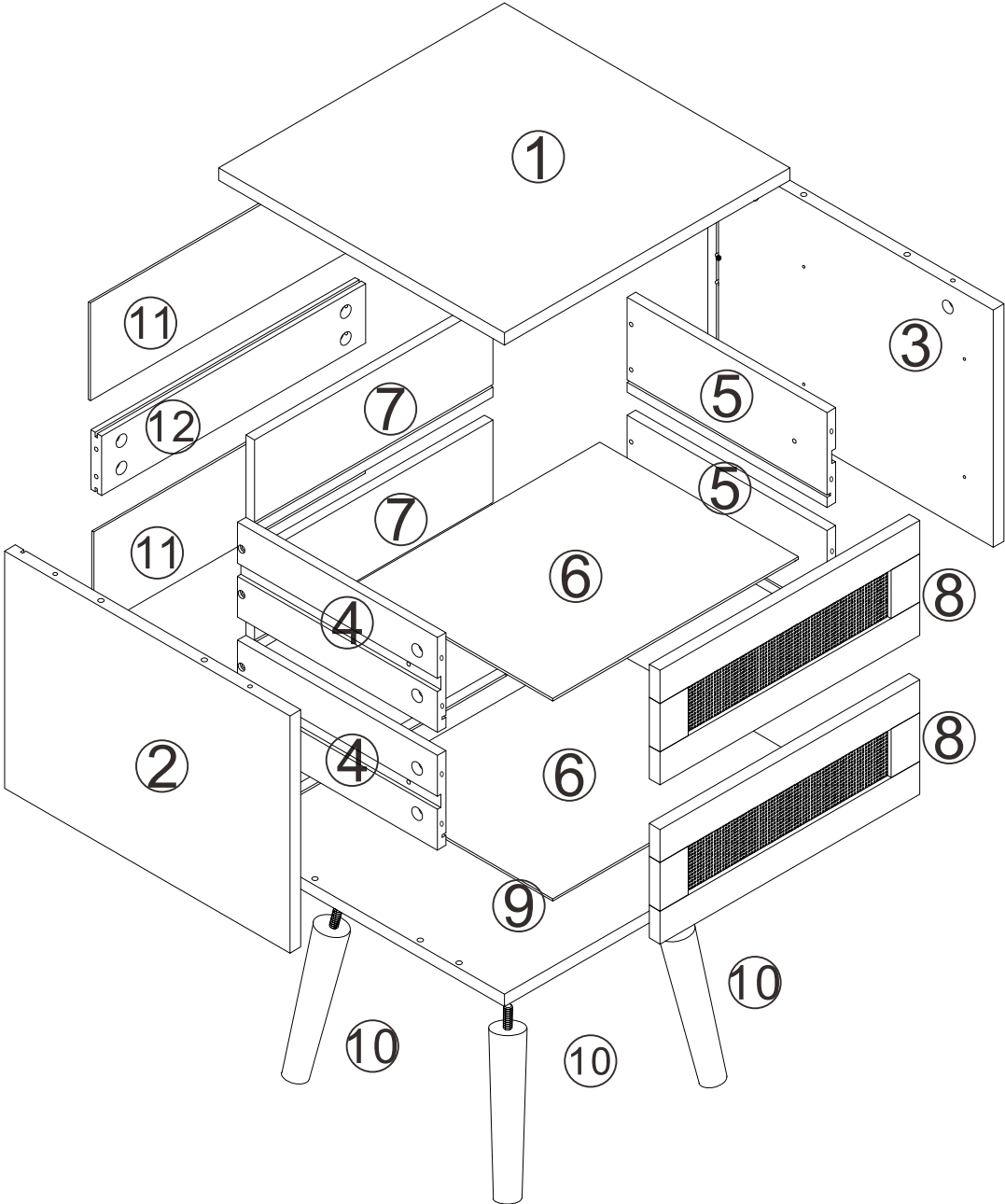
## Tools required



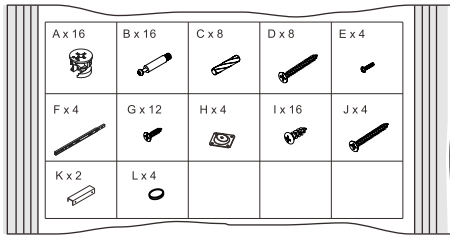
Phillips screwdriver  
(small & medium)

# Panels

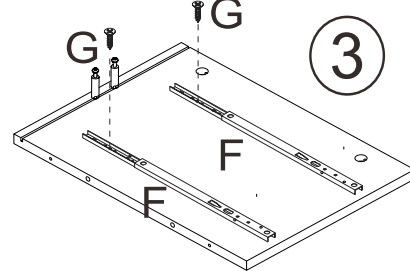
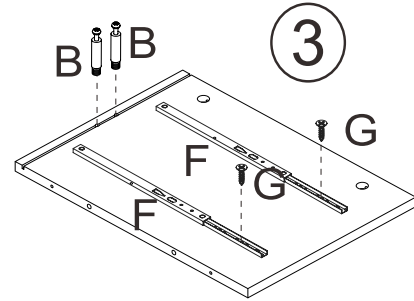
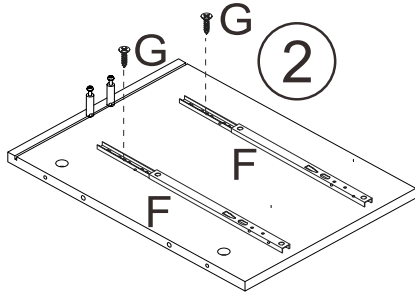
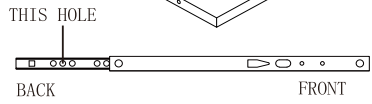
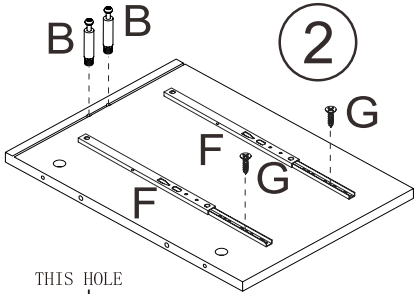
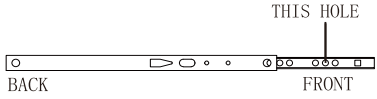
---



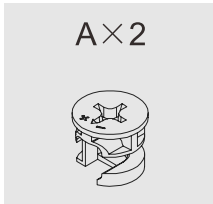
# 1



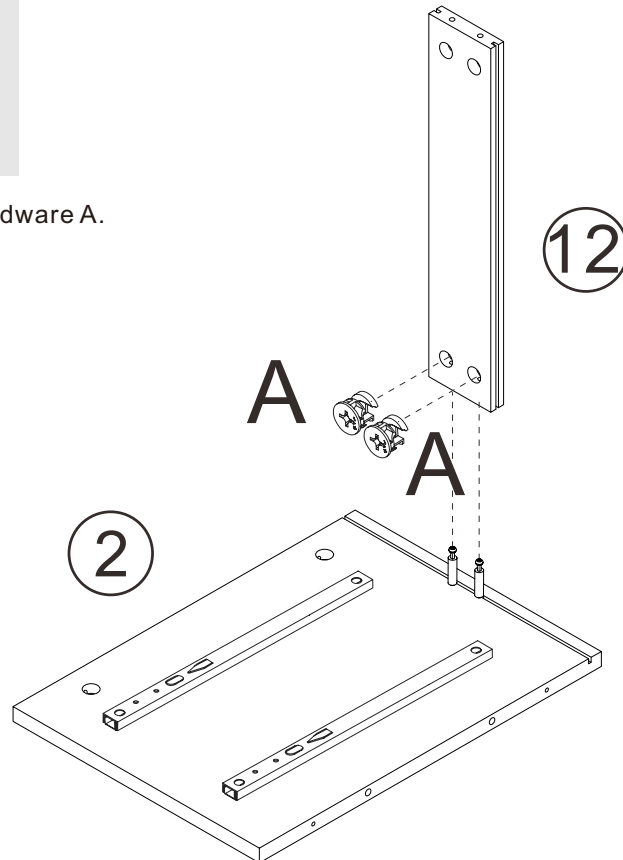
- Screw hardware B to Part 2, then fix hardware F to Part 2 use hardware G.
- Screw hardware B to Part 3, then fix hardware F to Part 2 use hardware G.



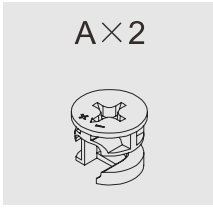
# 2



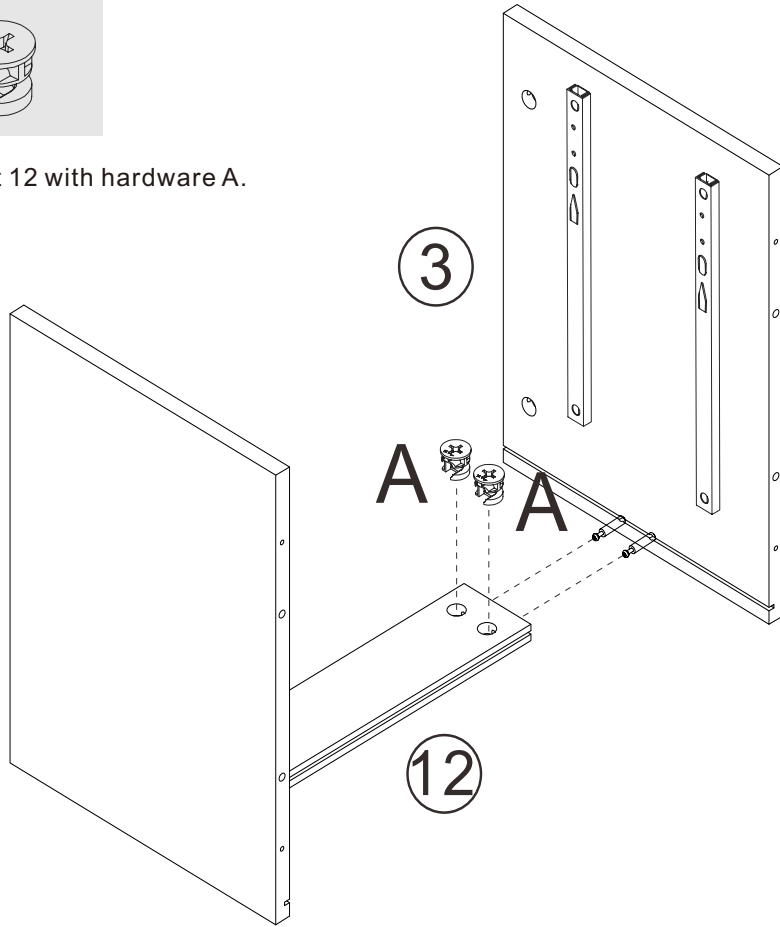
- Fix Part 12 to Part 2 with hardware A.



# 3

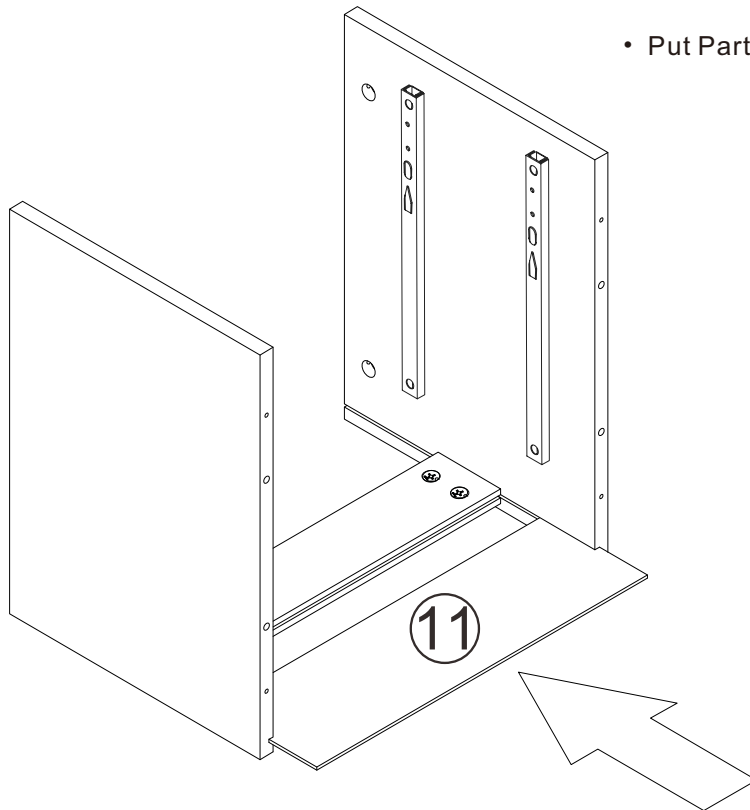


•Fix Part 3 to Part 12 with hardware A.



# 4

• Put Part 11 to the kerf of Part 2/3/12.



# 5

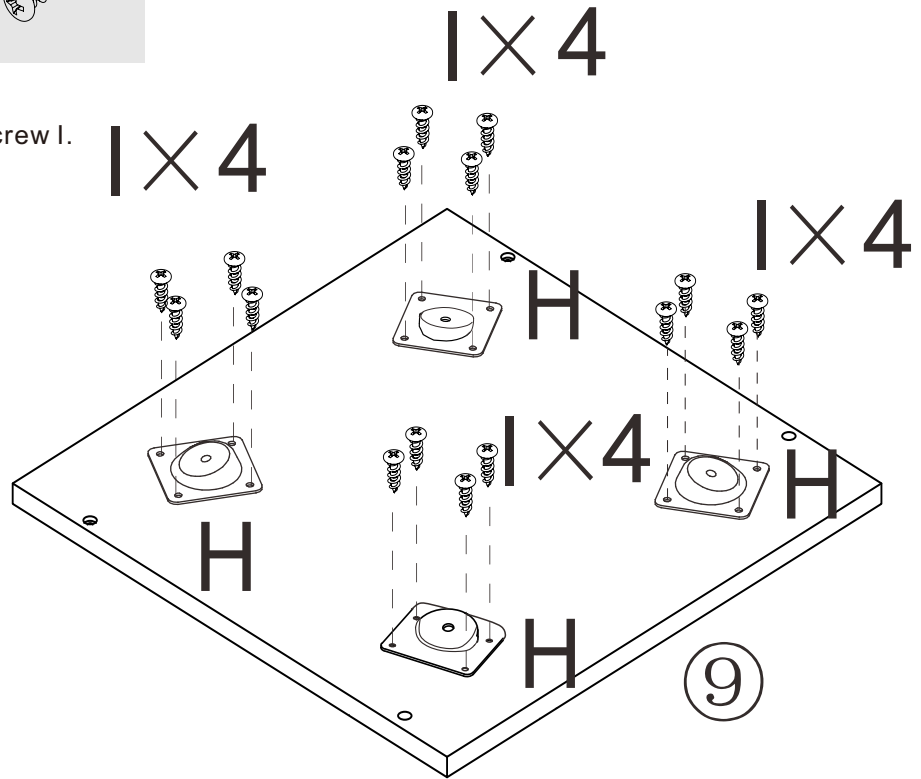
H×4



I×16

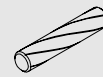


- Fix hardware H to Part 9 with screw I.

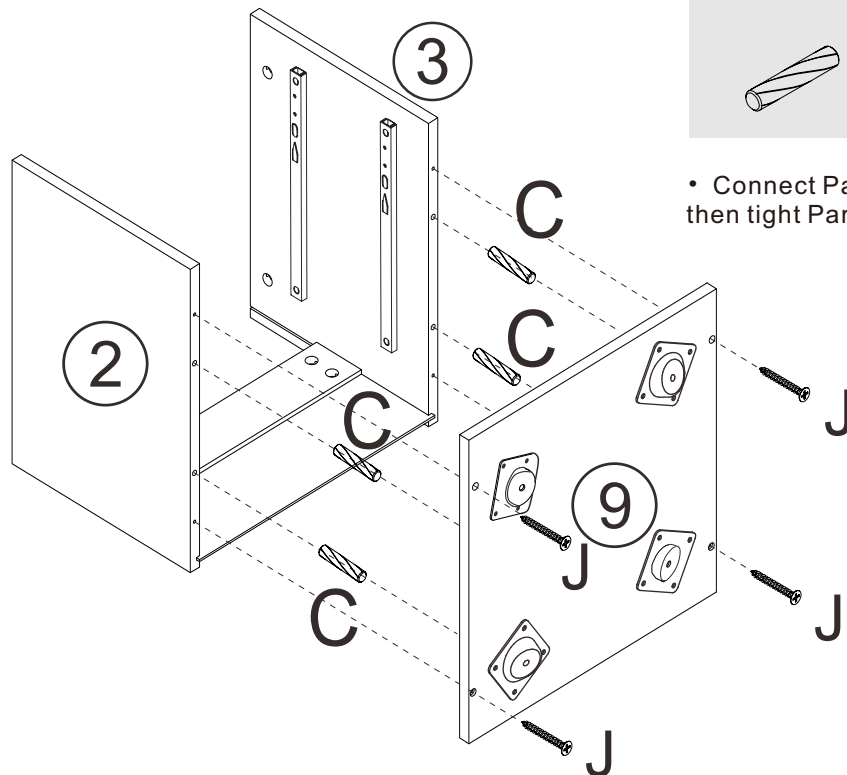
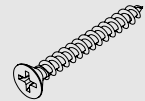


# 6

C×4

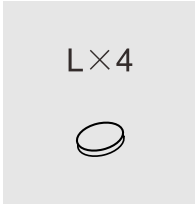


J×4

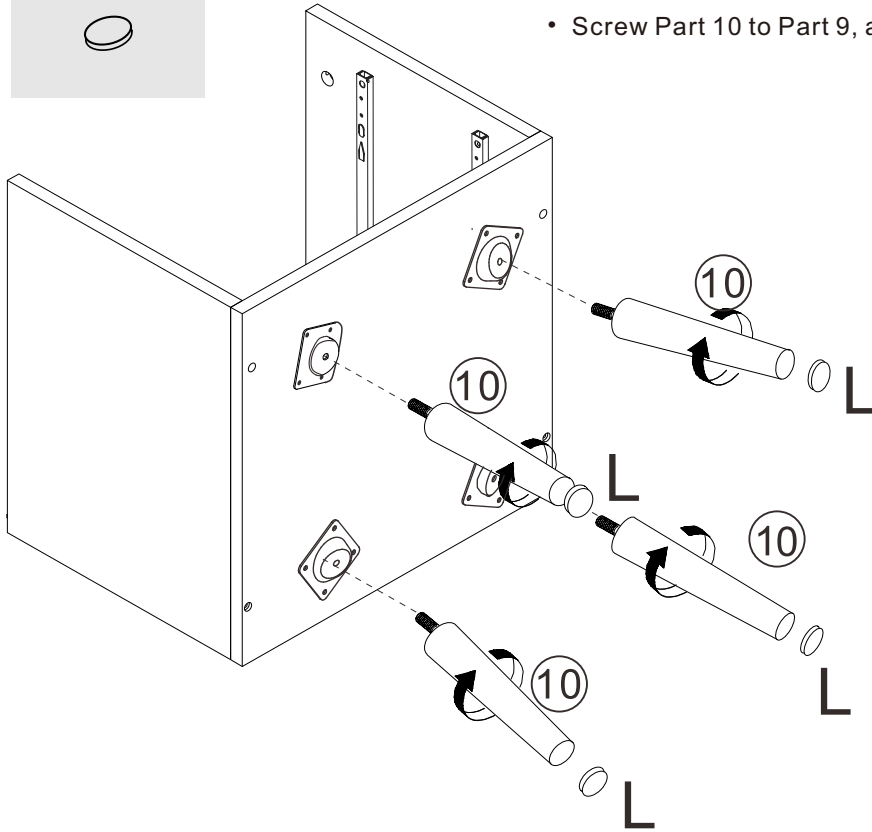


- Connect Part 9 to Part 2/3 with hardware C, then tight Part 9 to Part 2/3 with screw J.

# 7

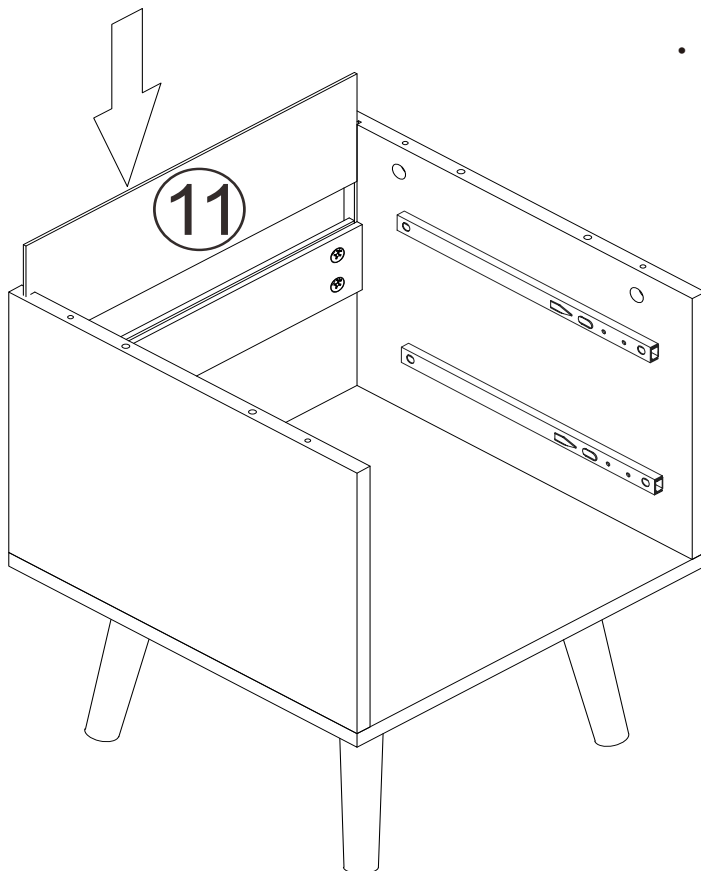


- Screw Part 10 to Part 9, and stick hardware L to Part 10.

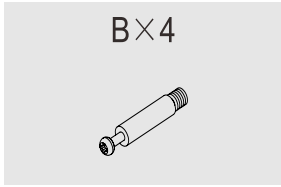


# 8

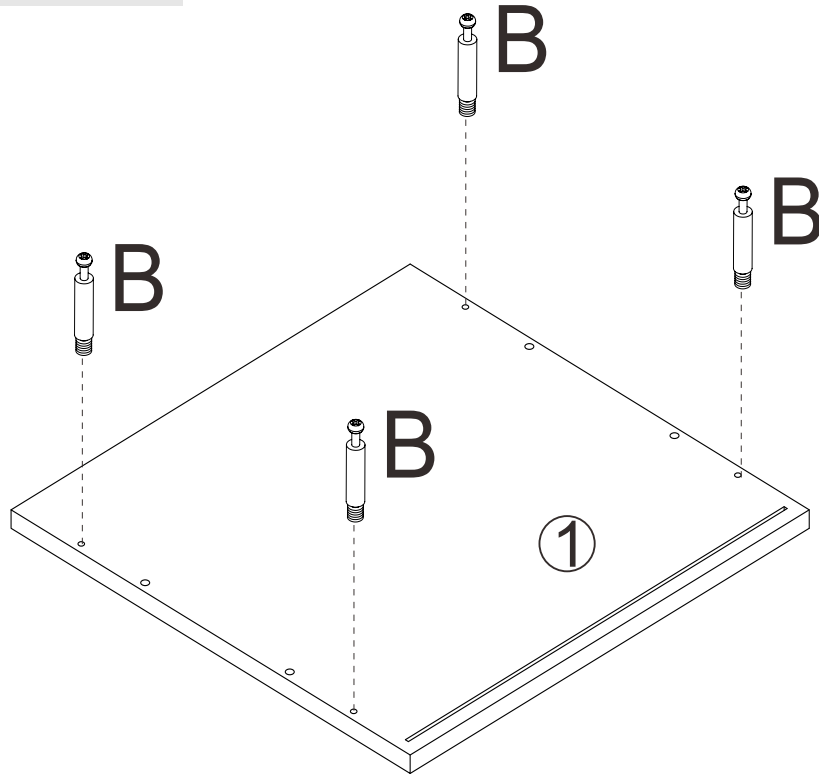
- Put Part 11 to the kerf of Part 2/3/12.



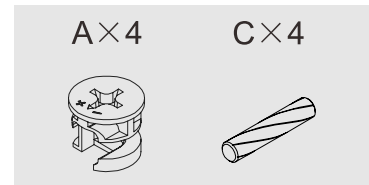
# 9



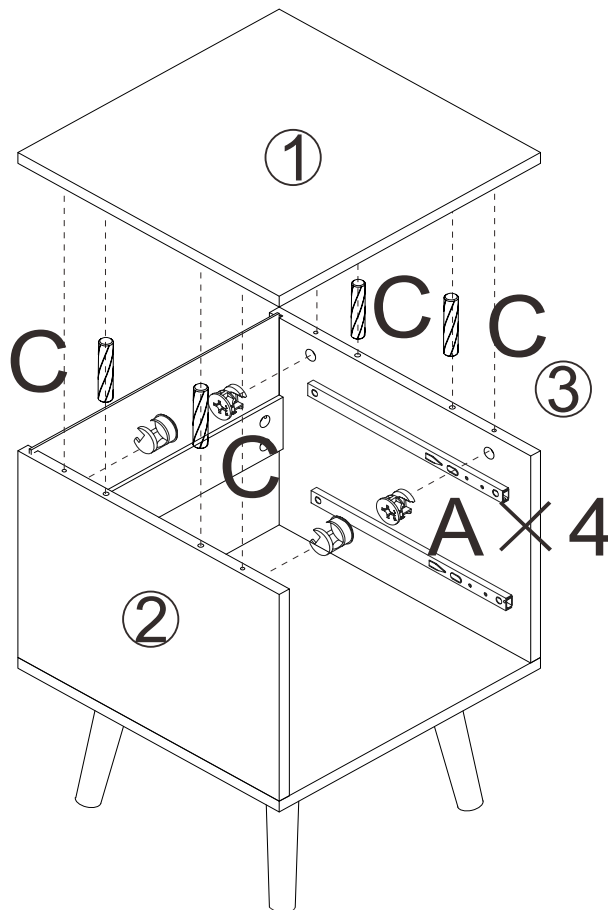
- Screw hardware B to Part 1.



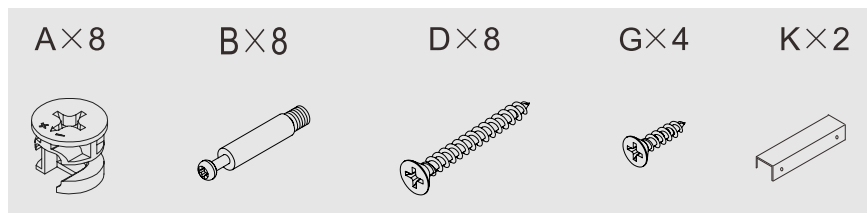
# 10



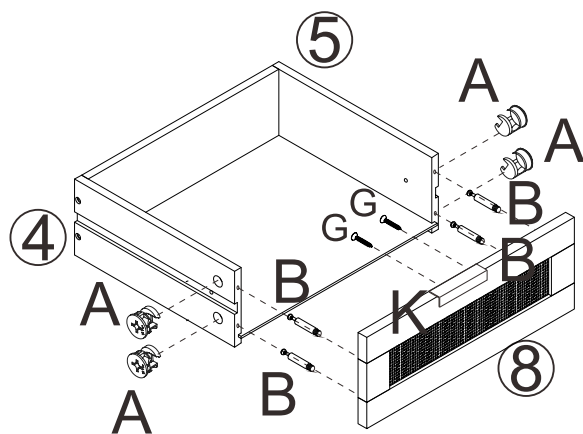
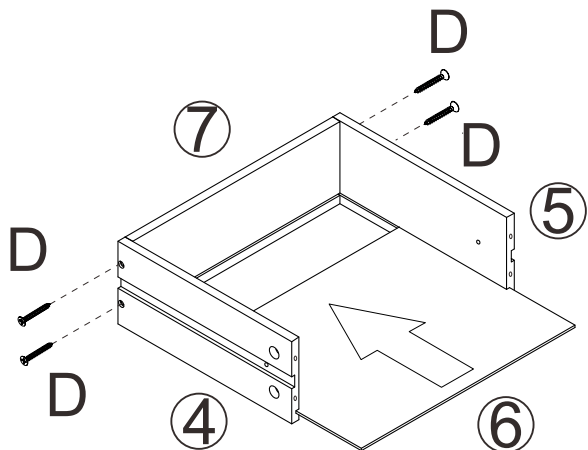
- Connect Part 1 to Part 2/3 with hardware C, then tight Part 1 to Part 2/3 with hardware A.



# 11



- Fix Part 7 to Part 4/5 with hardware D, then put Part 6 to the kerf of Part 4/5/7.
- Fix hardware K to Part 8 with screw G.
- Fix hardware B to Part 8 and tight Part 8 to Part 4/5 with hardware A.

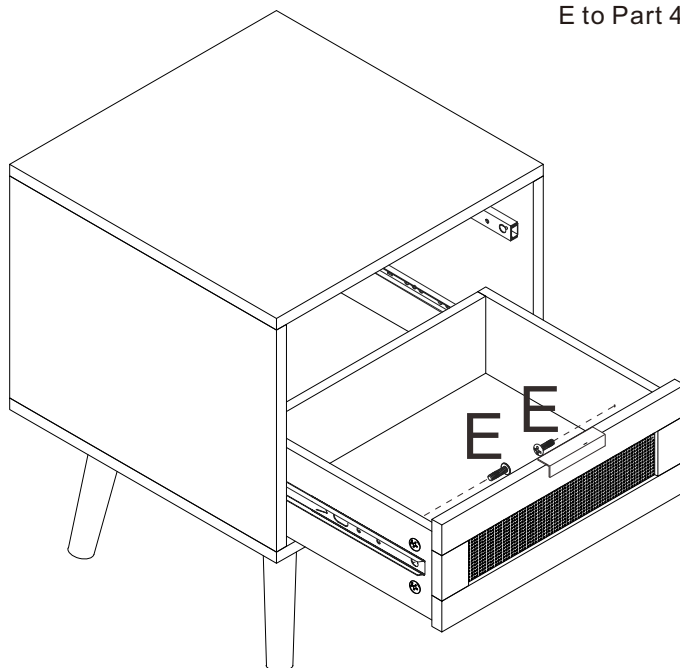


×2

# 12



- Put the drawers into frame, and fix hardware E to Part 4/5.



# 13

- Put the drawers into frame, and fix hardware E to Part 4/5.

E×2

