
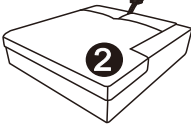



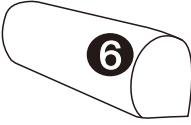
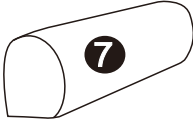
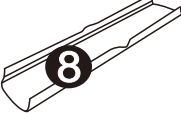
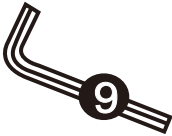

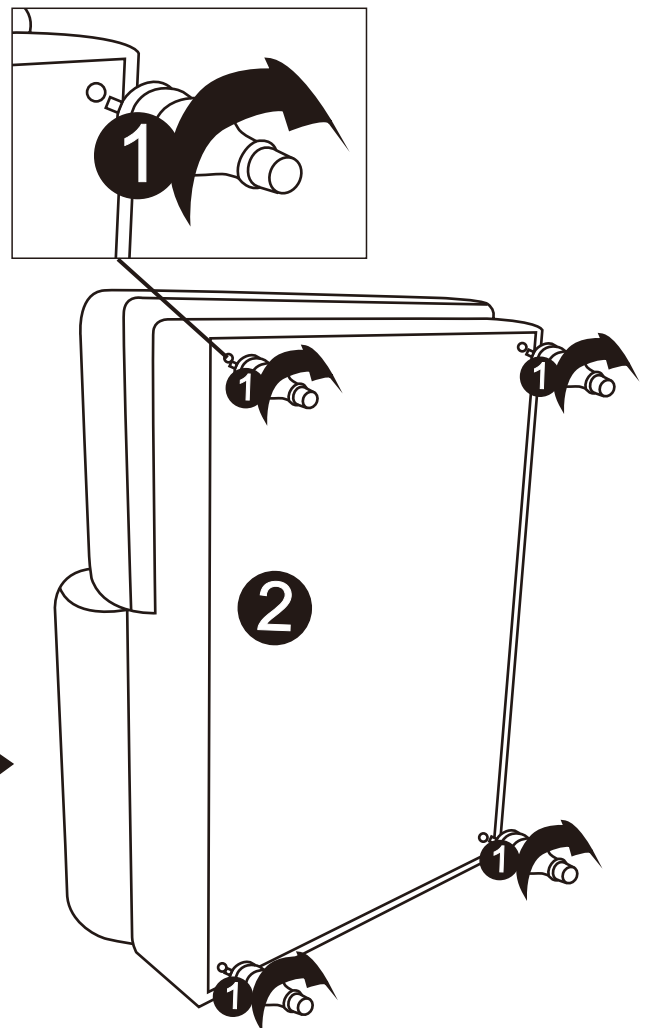
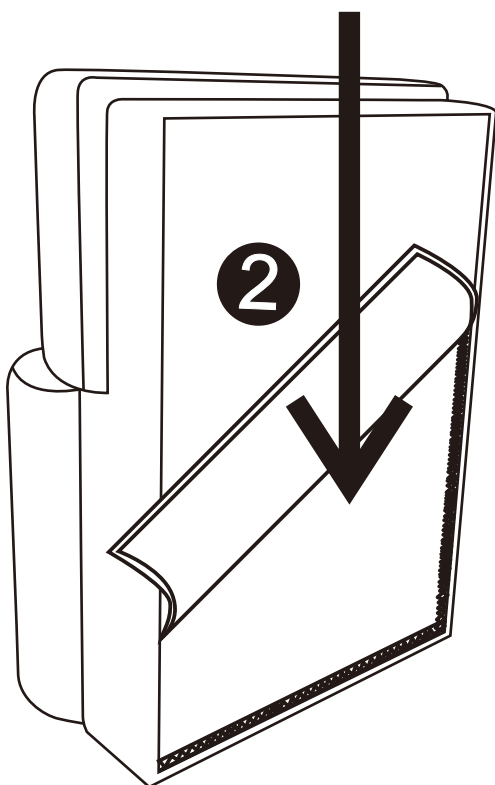


# Part List

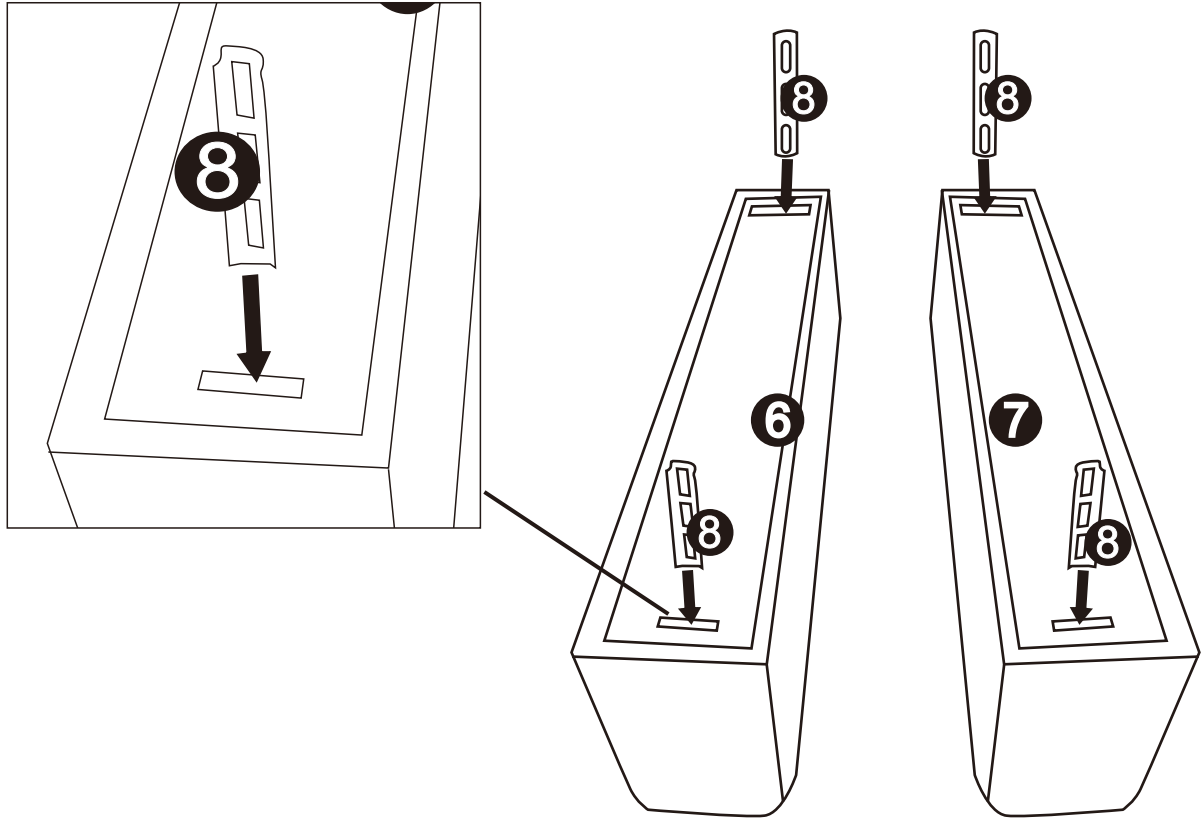
|                                                                                                     |                                                                                                            |                                                                                                  |                                                                                                       |
|-----------------------------------------------------------------------------------------------------|------------------------------------------------------------------------------------------------------------|--------------------------------------------------------------------------------------------------|-------------------------------------------------------------------------------------------------------|
| <br>Leg*4          | <br>Seat with metal kit*1 | <br>Backrest*1 | <br>Cushion*1      |
| <br>Back Cushion*1 | <br>Arm-L*1               | <br>Arm-R*1    | <br>Arm Hardware*4 |
| <br>Backrest key*1 | <br>Backrest Bolt*1       | Please take it off from the metal kit before assembly                                            |                                                                                                       |

## Assembly Steps 1

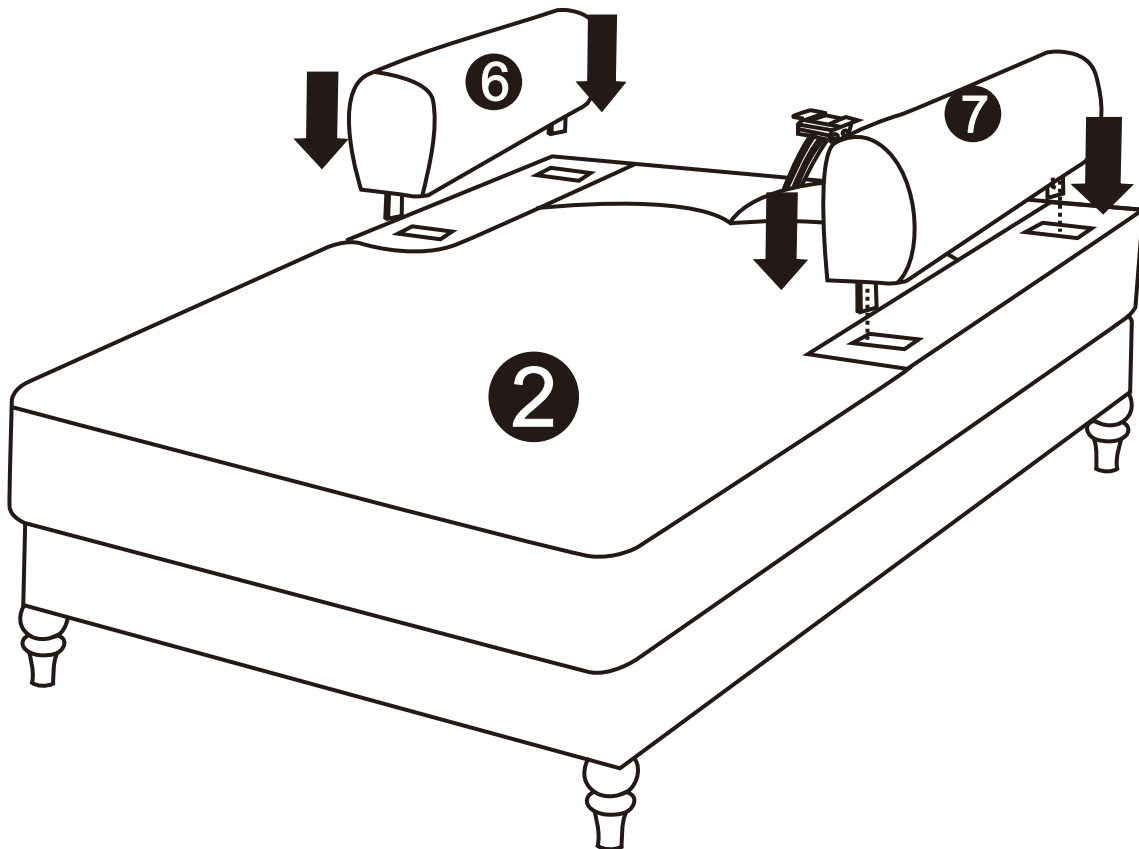
All the parts inside



## Assembly Steps 2

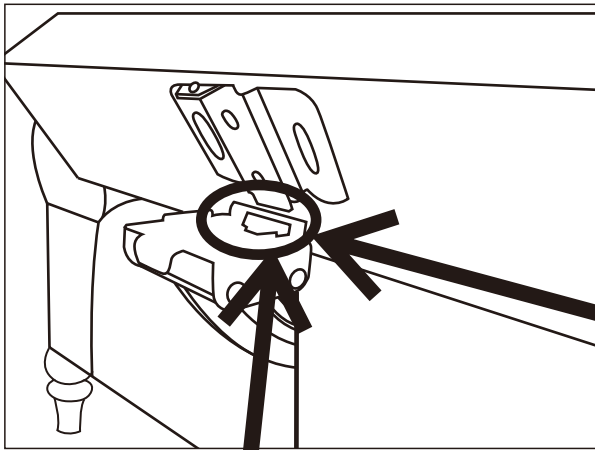
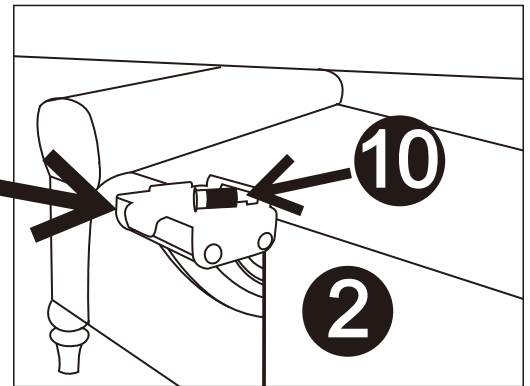


## Assembly Steps 3

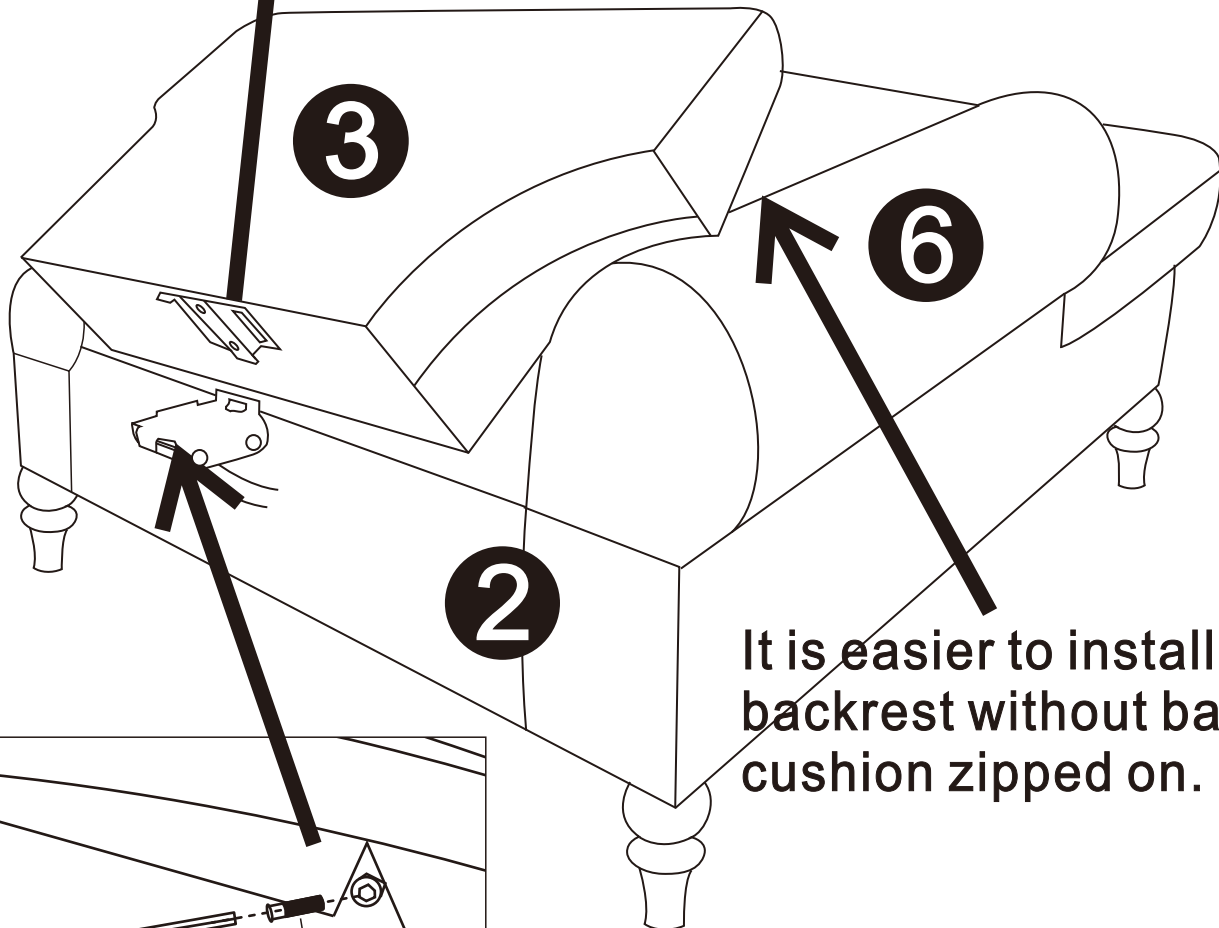


## Assembly Steps 4

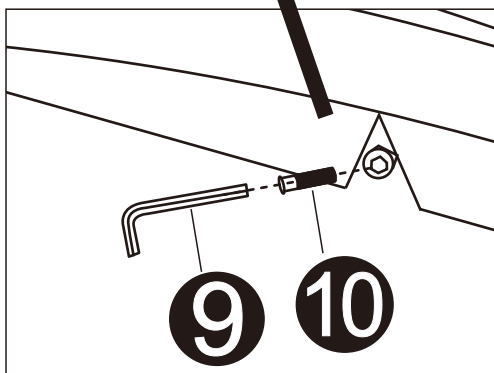
Please take the bolt from the metal kit on seat before installing backrest.



Please make sure the metal on backrest is inserted into the hole on the other part of the metal kit to sit flush.

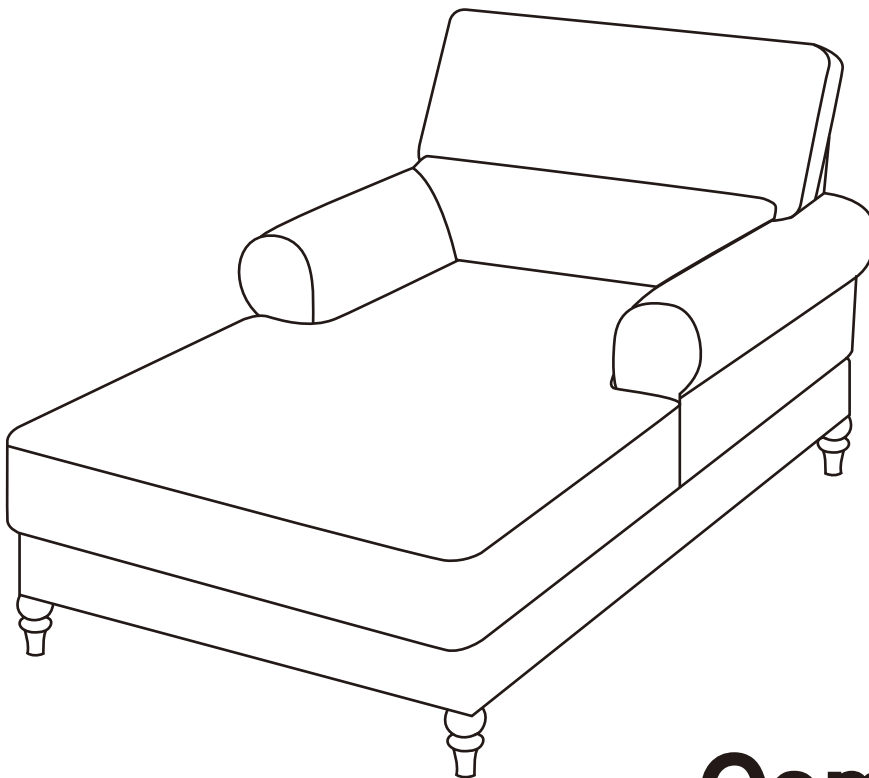
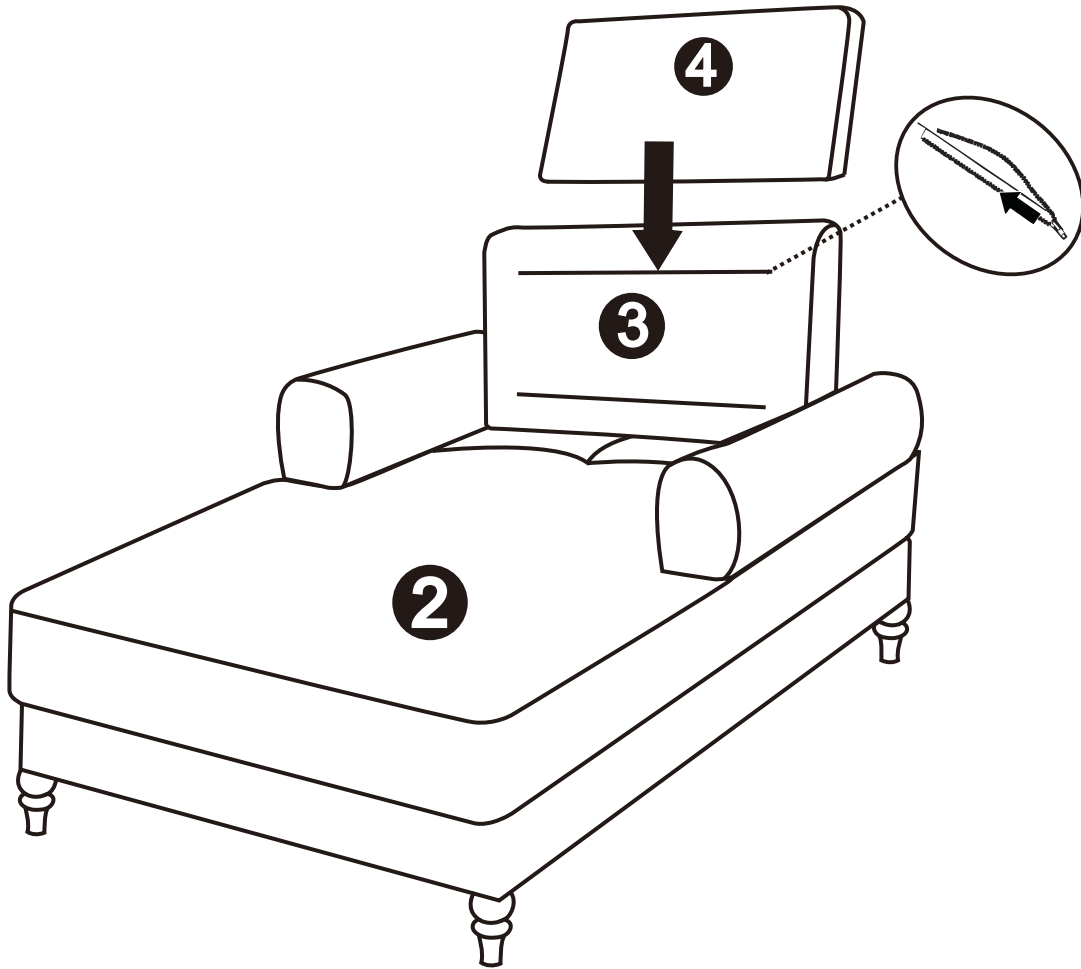


It is easier to install backrest without back cushion zipped on.



Uncover the fabric here and secure the bolt to connect backrest and seat.

## Assembly Steps 5



**Completed**

# CARE & MAINTENANCE



Do not put hot items directly on furniture surface.



Do not clean furniture with harsh cleansers or polish.



Dust and pick up spills using a clean, non-colored, lint-free cloth.



Stains may be removed with mild soap solution and a damp cloth.



Do not place furniture under direct sunlight.



Do not place furniture near heating or cooling vents.



Do not write on furniture without a passed barrier to protect the surface.



Do not place furniture outside, for indoor use only.



PROHIBIT jumping on it.

---

We genuinely appreciate your purchase of our product. Any problem (installation or damage caused by shipping), please feel free to contact us. Our customer service help to solve the problem for you ASAP, as your satisfaction is our final goal.