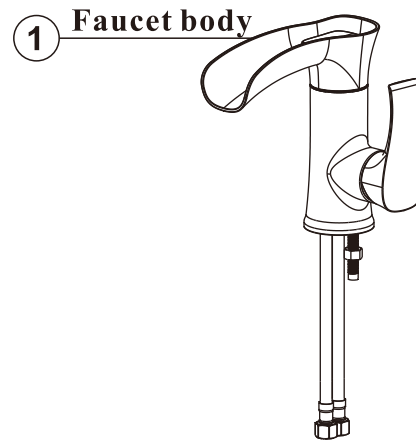


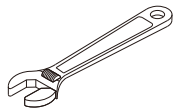


**FOR FAMILIES  
WATERFALL WATER MODE  
WATER IS SOFTER  
FOR CONVENIENCE  
THE FAUCET OUTLET CAN  
TURN 360 DEGREES  
FOR THE SAKE OF AESTHETICS  
THE FUSION OF CREATIVITY FROM  
DESIGNER TEAM**

### Parts included



### Tools you may need



**Wrench**



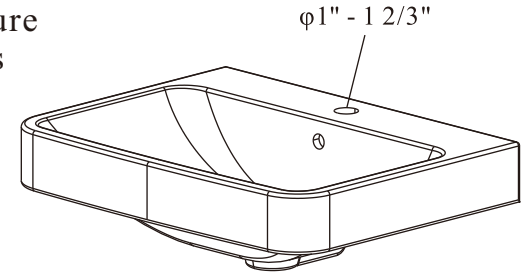
**Screwdriver**



**Teflon Tape**

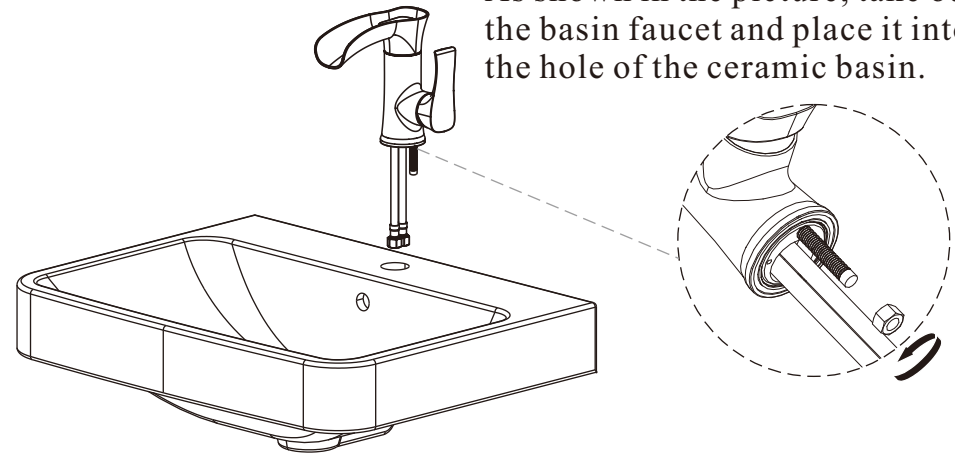
1

Before installation, make sure installation hole diameter is 1"-1 2/3".



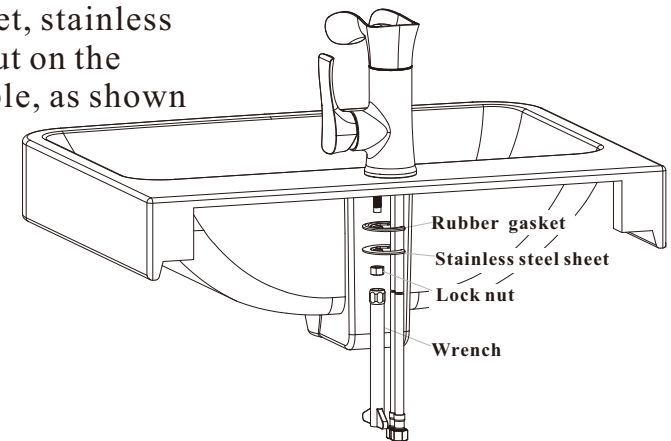
2

As shown in the picture, take out the basin faucet and place it into the hole of the ceramic basin.

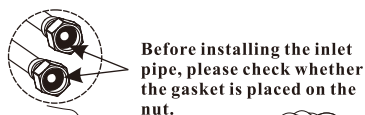


3

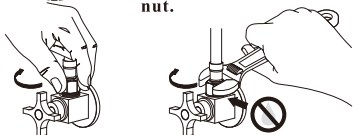
Place the rubber gasket, stainless steel sheet and lock nut on the tap from under the table, as shown in the picture.



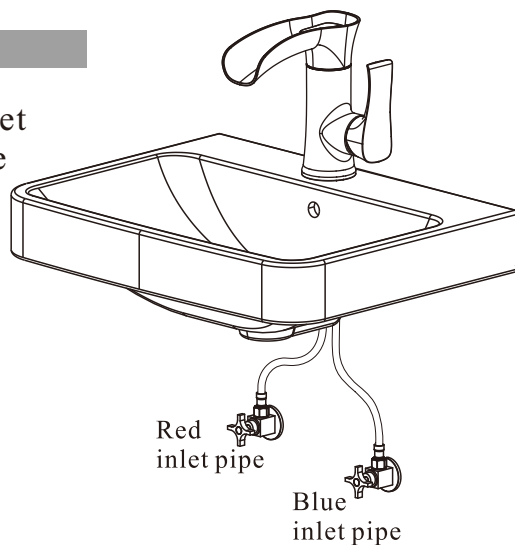
According to the color of the inlet pipe, connect to the corner valve (red for hot water, blue for cold water), as shown in the picture.



Before installing the inlet pipe, please check whether the gasket is placed on the nut.



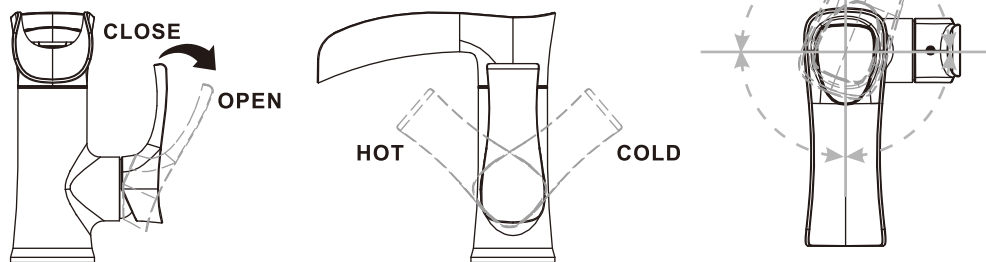
Tighten the nuts manually and then reinforce them with tools.



Red inlet pipe

Blue inlet pipe

## Product usage



1. Gradually move the handle, more conducive to the protection of the spool.
2. Open the handle to the right, the greater the angle, the greater the flow; Conversely, the smaller the angle, the less traffic until it is off.
3. When the handle is opened to the right, clockwise adjustment will increase the water supply of hot water; Counterclockwise adjustment will increase the amount of cold water supplied.
4. The outlet portion of the faucet can be rotated 360 degrees (do not touch the wall when rotating).

## Cleaning

1. To maintain proper working conditions, cleaning is required when mineral deposits appear on spray nozzles. To clean mineral deposits, gently rub rubber nozzles on face of shower head to dislodge.
2. To clean heavier deposits, remove shower head and soak face down in a cup of white vinegar for 2-3 hours. Replace shower head and run in each spray settings to flush out vinegar. **DO NOT** use harsh chemicals, heavy-duty cleaners or abrasives. This may damage parts or finish and may void warranty.

