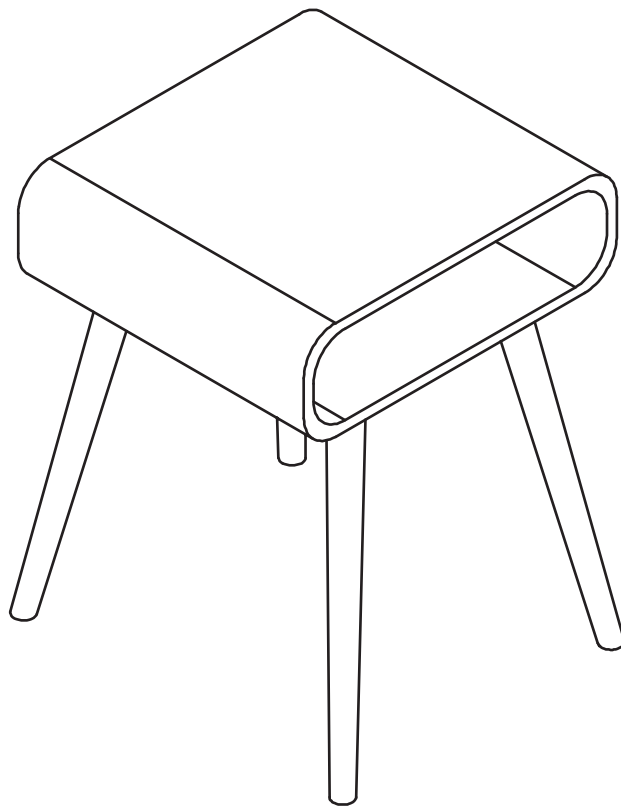



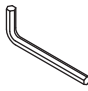


End Table



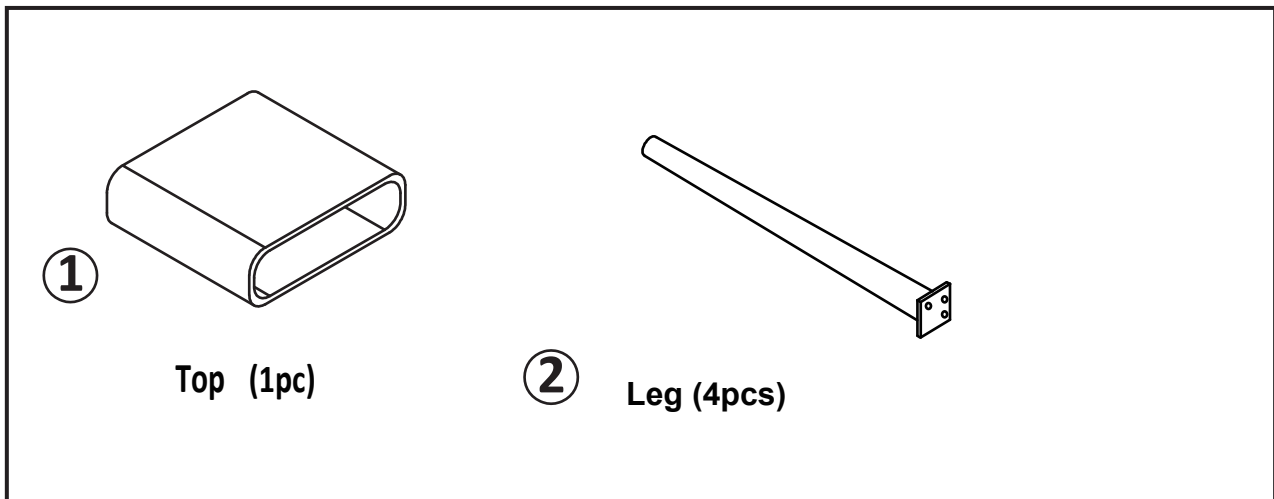
ASSEMBLY INSTRUCTIONS

We have designed our furniture with you , the customer in mind . Our clear , easy to follow , step by step instructions will guide you through the project from start to finish .
Feel confident that this will be a fun and rewarding project . The final product will be a quality piece of furniture that will go together smoothly and give you years of enjoyment .

Hardware List

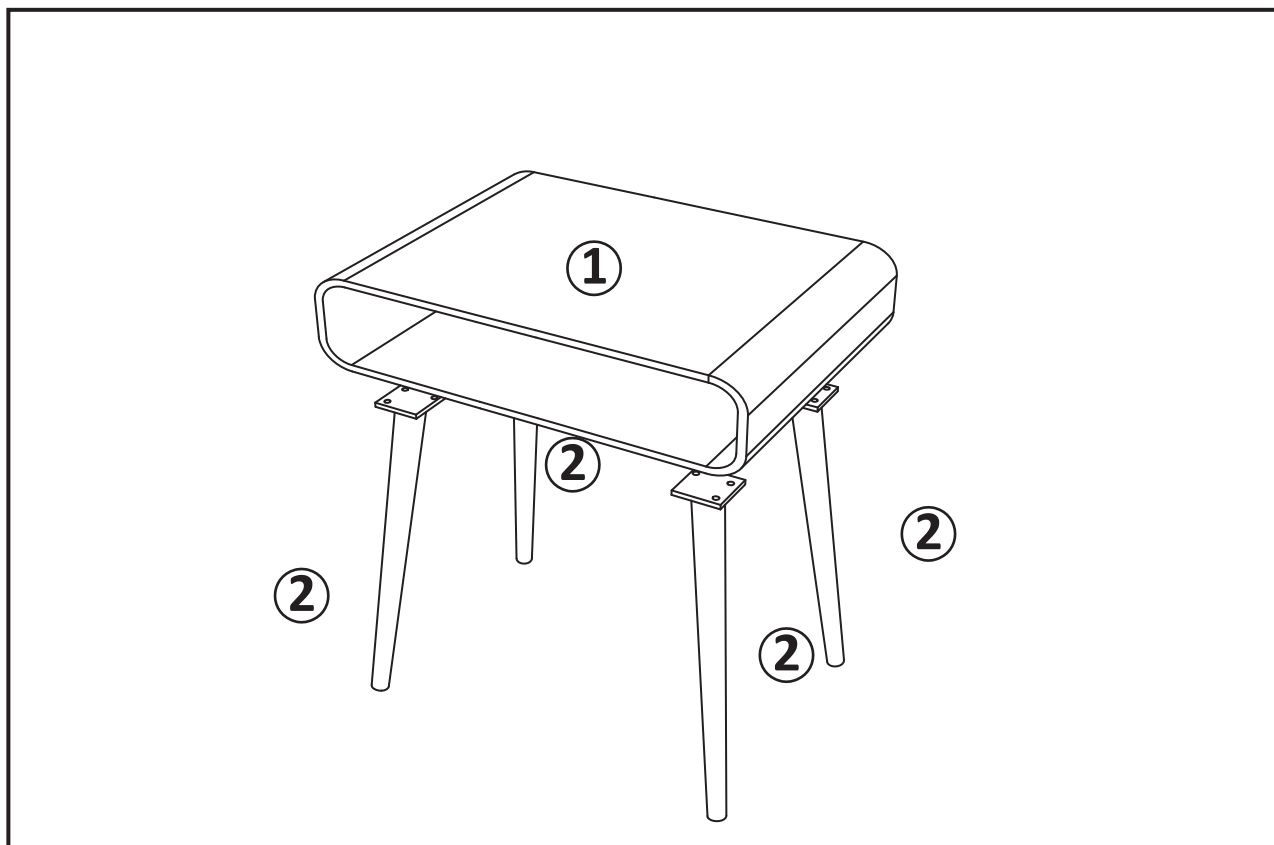
A 	B 	C 	D 
Screw (12pcs)	Allen Wrench (1pc)	Lock washer (12pcs)	Flat washer (12pcs)

Panel List



Please count and verify all parts before assembly.

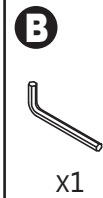
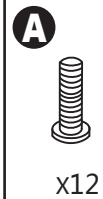
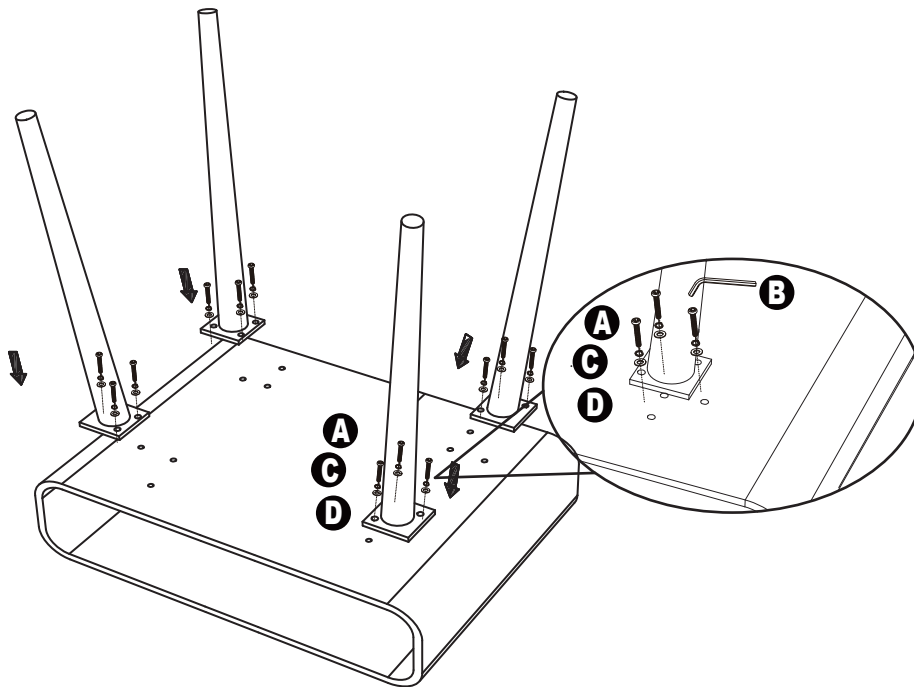
Exploded View



Step 1

*Assemble unit on carpet or another soft surface.

1. Connect Legs (2) to Top (1) using allen bolts (A) , lock washers (C) ,flat washers (D),and allen wrench (B) as shown.



Step 2

1. Enjoy

