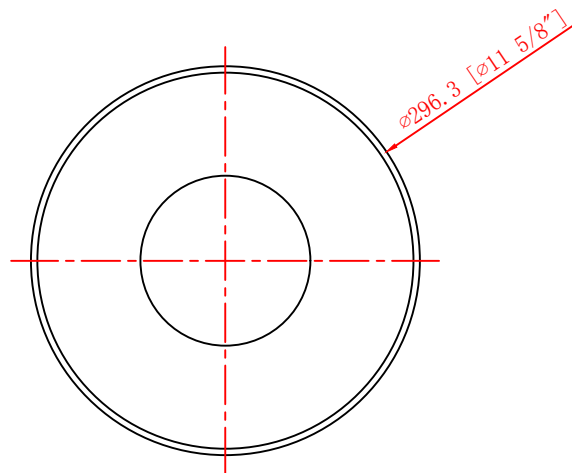


UL knot,  
pre-wrapped with  
fiber Glass sleeves



**UL SPECIFICATION**

- \* FIXTURE SHALL BE LISTED FOR LOCATION ONLY AND LABELED AS SUCH.
- \* FIXTURE MUST BE MANUFACTURED IN ACCORDANCE WITH UL STANDARD 1598.

**PARTS SPECIFICATIONS**  
**ITEM QTY DESCRIPTION**

- A (1) SOCKET- UL LISTED/CSA CERTIFIED  
BASE=MEDIUM  
SOCKET=PORCELIN  
SEE LEAD WIRE FOR SOCKET WIRE SPEC.
- B (1) LEAD WIRE- 10FT FROM SHADE  
UL LISTED/CSA CERTIFIED, AWG #18  
105°C BLACK AND WHITE WIRE.  
STRIP 1/2 [12.7], SPLIT 3 [76.2].  
FROM TOP OF SCROLL.  
(SEE CHART FOR COLOR).
- C (1) GROUND WIRE- 7" [180] FROM CANOPY  
1/4 LAY COPPER GROUND WIRE.  
FROM TOP OF SCROLL.  
(SEE CHART FOR TINT).

| NO. | PART NO. | DESCRIPTION | REQ. |
|-----|----------|-------------|------|
|     |          |             |      |
|     |          |             |      |
|     |          |             |      |
|     |          |             |      |
|     |          |             |      |
|     |          |             |      |
|     |          |             |      |
|     |          |             |      |
|     |          |             |      |
|     |          |             |      |

NOTICE: ANY DESIGN OR OTHER INFORMATION HEREON DEVELOPED BY THIS COMPANY IS CONFIDENTIAL MATERIAL AND EXCLUSIVE PROPERTY OF THE L.D. ALIYA CO. DISCLOSURE OR REPRODUCTION REQUIRES THE WRITTEN CONSENT OF THE L.D. ALIYA CO.

|   |  |          |            |             |             |        |
|---|--|----------|------------|-------------|-------------|--------|
| DRAWN IN<br>THIRD ANGLE<br>PROJECTION<br><br> | "mm" DIMENSION INDICATED IN [ ]<br>DIMENSION IN [ ] IS FOR REF. ONLY |          |            |             | TITLE       | REV.   |
|   | TOLERANCES (EXCEPT AS NOTED)   |          |            |             | 1LT PENDANT | REV. B |
|   | DECIMAL  | ANGULAR  | FRACTIONAL | SCALE       |             |        |
| NONE ±.031                                    | ± 1/2°   | ± 1/32   | 1:6        | PART NO.    | REV.        |        |
| .X ±.015                                      | DATE   | DRAWN BY | CHECKED BY | APPROVED BY | REV.        |        |
| .XX ±.010                                     | 26/11/2019   | SSL      | X          | X           | B           |        |
| .XXX ±.005                                    |  |          |            |             |             |        |